

Installation Instructions

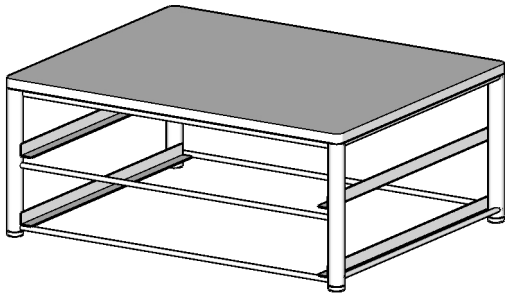
Content:



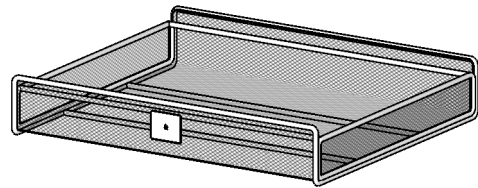
1 M4 x 10 = 2PCS



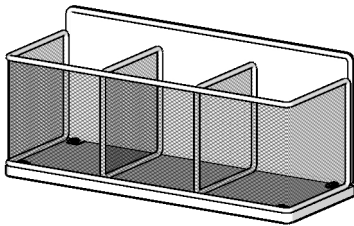
2 Handle = 2PCS



A Main Frame = 1PC



B Iron Drawer = 2PCS



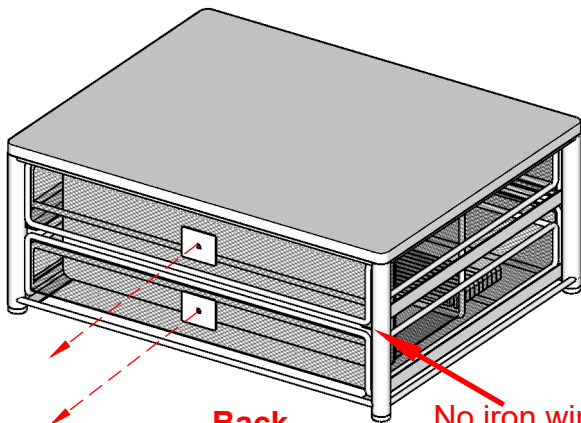
C Cup Holder = 1 PC



D Dividing Strip = 10PCS

Installation Steps:

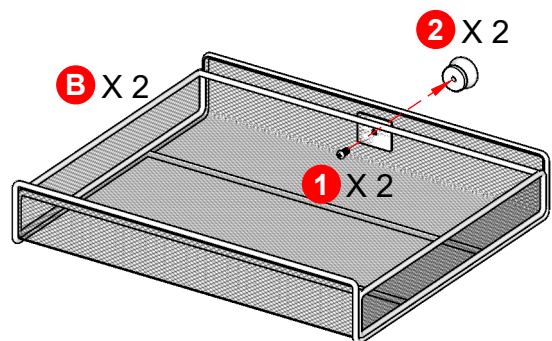
Step 1:



Back

No iron wire
in the middle

Step 2:



B X 2

2 X 2

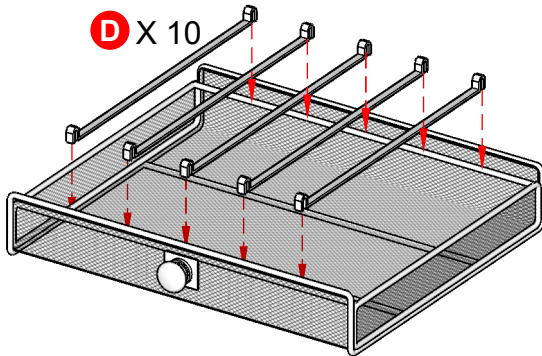
1 X 2

Please observe that the side without an iron wire in the middle is the back. All accessories inside the main frame are taken out from the back. The process of taking them out is a bit difficult. Please be patient.

Installation Instructions

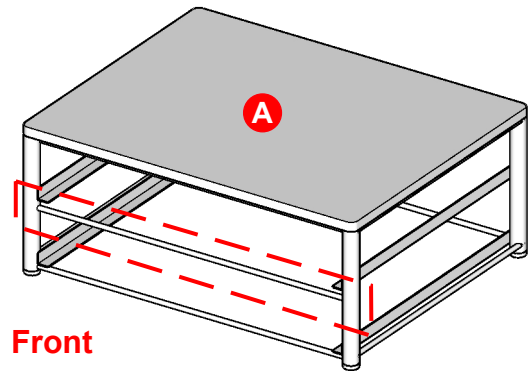
Installation Steps:

Step 3:



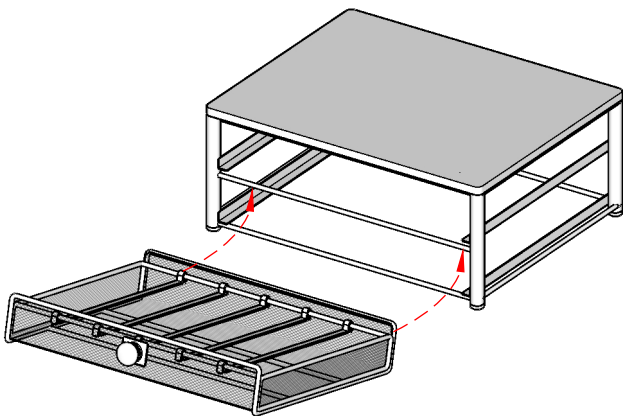
Distribute 10 dividing strips into two iron drawers. Adjust to an appropriate interval according to the products placed inside.

Step 4:

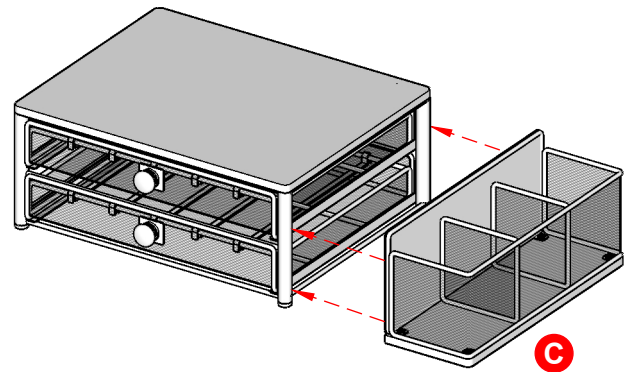


Take out the main frame. Pay attention to observing and distinguishing that the direction with an iron wire in the middle is the front of the main frame. The iron drawer is inserted from the front.

Step 5:



Step 6:



There is a black magnetic sheet behind this cup holder. Stick it to the left or right side of the main frame according to your preference.

Finished Style

