

ASSEMBLY INSTRUCTIONS

WF198247 - DINING BENCH

PLEASE DO NOT RETURN PRODUCT TO STORE

If you have any problem or concerns, please feel free to contact our customer

Service department. We will reply you as soon as possible



E-Mail: csr@merax.com

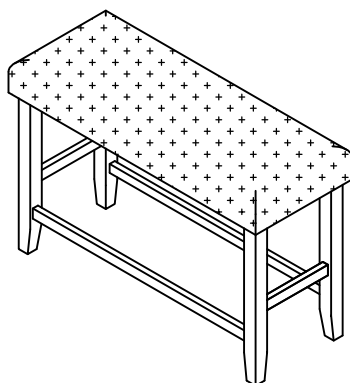
Tel: 626-912-8886 Ext.100

IMPORTANT NOTE :

**** PLACE ALL PARTS ON A CLEAN AND SMOOTH SURFACE SUCH AS A RUG OR CARPET TO AVOID THE PARTS FROM BEING SCRATCHED.**

**** BEFORE YOU BEGIN, KINDLY FOLLOW THE ASSEMBLY INSTRUCTIONS STEP BY STEP.**

****DO NOT TIGHTEN ALL SCREWS AND BOLTS UNTIL THE TABLE IS FULLY SET-UP.**



CARTONS ONLY ONE/ CARTONS SEULEMENT UN

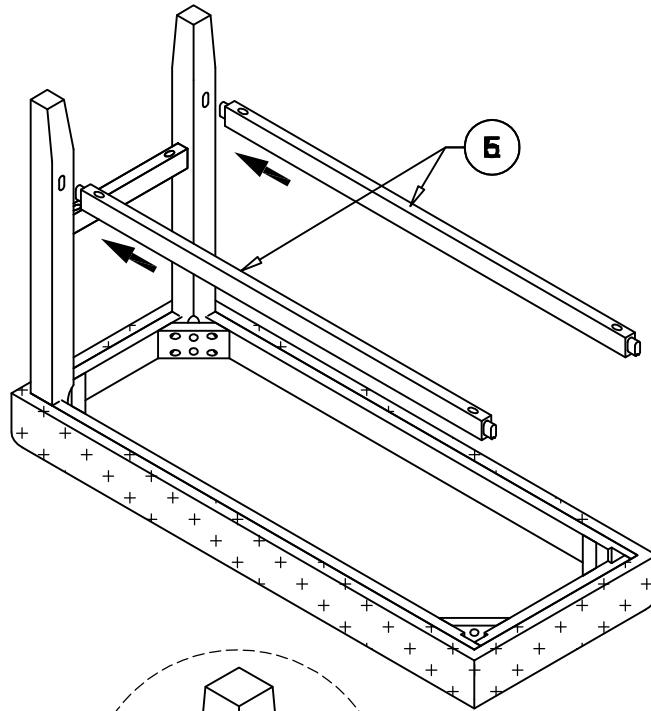
PART LISTS				HARDWARE LISTS			
NO.	DESCRIPTION	SKETCH	Q'TY	NO.	DESCRIPTION	SKETCH	Q'TY
1	BENCH TOP		1 PC	A	BOLT Ø1/4"x60mmL		8 PCS
2	LEGS 1		2 PCS	B	WOOD SCREW M4x45mmL		8 PCS
3	LEGS 2		2 PCS	C	SPRING WASHER Ø1/4" x 13mmL		8 PCS
4	SHORT STRETCHER		2 PCS	D	FLAT WASHER Ø1/4" x 19mmL		8 PCS
5	LONG STRETCHER		2 PCS	E	ALLEN KEY M4		1 PC

MADE IN VIETNAM

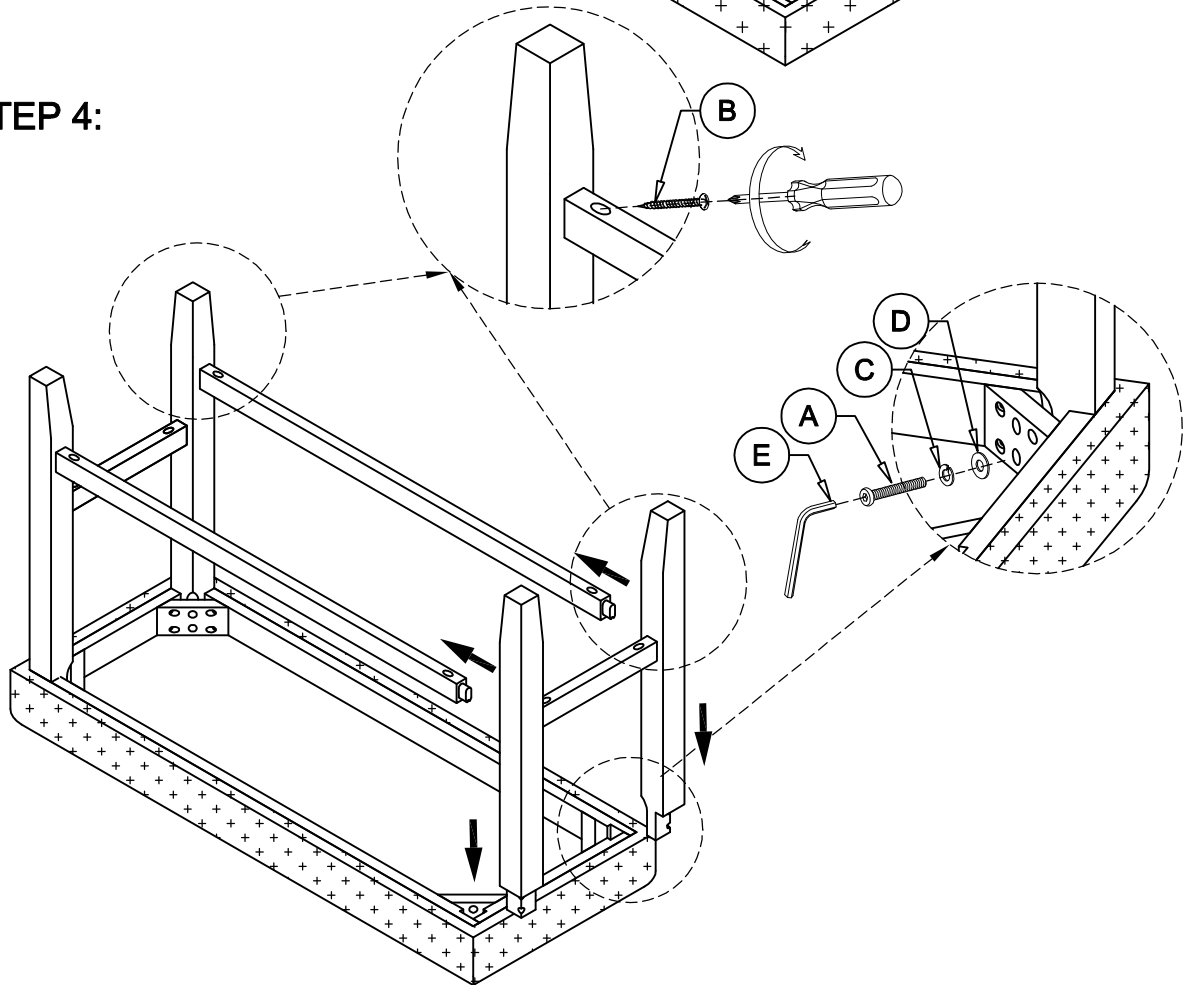
1 OF 4

ASSEMBLY INSTRUCTIONS

STEP 3:



STEP 4:



ASSEMBLY INSTRUCTIONS

STEP 5:

