



TRADITIONAL

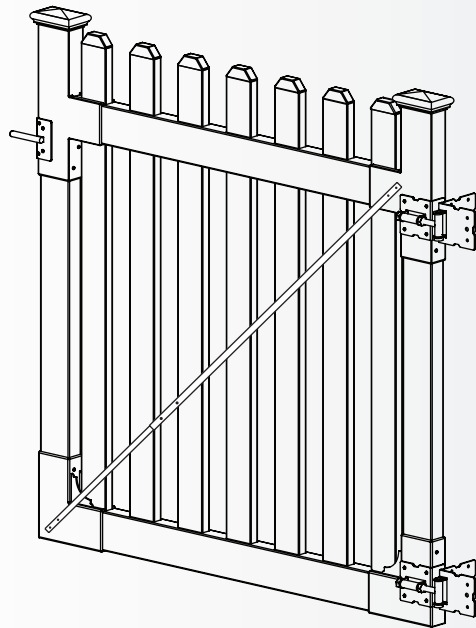
CLASSIC
VINYL PICKET GATE
(4'H X 4'W)

ASSEMBLY
INSTRUCTIONS
VG13006

60 MIN

Approximate assembly time

Want to see a video on how to
assemble this product?
Scan the QR code



GENERAL INFORMATION



IMPORTANT

- ⊕ Check the inside of the larger pieces in your box for other materials packed inside.
- ⊕ When assembling components, place on a non-abrasive surface (i.e. shipping box) to avoid scratching.
- ⊕ We recommend an area approximately 5'x 8' for unobstructed assembling.
- ⊕ You should not need to use excessive force when assembling components.

MISSING OR DAMAGED PARTS?

VISIT OUR WEBSITE FIRST, SO WE CAN HELP YOU RIGHT AWAY!

Although great care has been taken to ensure proper packaging and handling of this product, occasionally problems occur. If you discover any missing, damaged, or defective parts, please visit our website to order replacement parts. If you experience any further trouble with your product, please contact our customer service department.

 parts.nychbrands.com

 hmmm@wambamfence.com

 **704-892-5222 / 877-778-5733**

Customer service agents are available to take calls weekdays from 9am-5pm EST. If you call outside of business hours, please leave a voicemail.

To help you quickly and accurately, please have reference item number **VG13006** and the specific part name which can be found on page 7. It is helpful if you can provide the batch lot which is a stamped number on the inside of the box.

NEED ASSEMBLY HELP?

If you are having problems with the assembly or installation of this product, we are happy to assist you with the process, **so please give us a call at 704-892-5222 / 877-778-5733.**

NEED TO RETURN?

If for some reason you need to return this product, please allow us to help resolve your issues first. If you still decide to return the product, **you will need to initiate the return from the company you originally purchased from.**

AVOID THESE
PITFALLS!

HAVE YOU CONTACTED
YOUR **LOCAL UTILITIES?**



1

You must call your local utilities before you start installing your fence to avoid puncturing any unseen underground utilities, especially electrical or gas lines. Fortunately, this is made easy for you.

*Simply call **811** in the US or visit www.call811.com.
In Canada, visit <http://www.clickbeforeyoudig.com/>
for a list of phone numbers by province.*

HAVE YOU CHECKED YOUR
LOCAL ZONING LAWS?

2

Local zoning laws and Home Owners Associations may regulate the height, style, and placement of your fence. Some locations may even require a permit.

ARE YOU ABSOLUTELY SURE
WHERE YOUR **PROPERTY
LINE IS?**

3

Ensure the installation of your fence is within your property line limits.

HAVE YOU TALKED TO YOUR
NEIGHBORS?

4

Your fence will become part of their yard too, and you'll have an easier time building it if you can have access from both sides. Besides, you may get lucky if they decide to share the cost with you.

TOOLS AND MATERIALS YOU'LL NEED

- Safety Glasses
- 1ft. Torpedo Level
- 4ft. Level
(optional String Line Level)
- 2in. x 2in. x 6in. Inch Wood "Spacer" Block
(2 for each panel)
- Cordless Drill *(preferably with a high-torque setting)*
- Shovel or Auger
- Any Power Or Hand Saw With A Fine-Toothed Blade
- String Line Stakes
- Spool of String
- Tape Measure

GENERAL INFORMATION

1. Read over fence instructions first.

Your gate and fence will work better together if you first take the time to read and understand your fence.

2. Pre-assemble the gate frame.

Please do not screw the gate frame together until you have temporarily assembled the gate frame. In other words, do a dry run first. This will ensure:

1. That you have everything necessary to complete the gate.
2. That you will have assembled the gate frame in the correct order.
3. All of the pieces fit and function properly.
4. The gate height and width are similar to the measurements shown on page six.

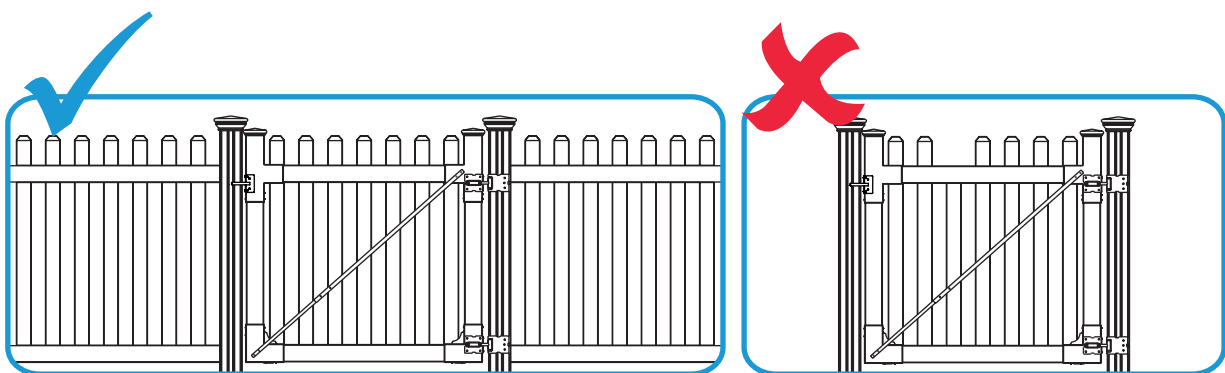
It's easier to troubleshoot when things are not screwed together. After you assemble your gate correctly, please disassemble as necessary, and use the 1¼" self-drilling stainless steel screws to permanently assemble the gate.

3. Install your gate posts before your fence posts.

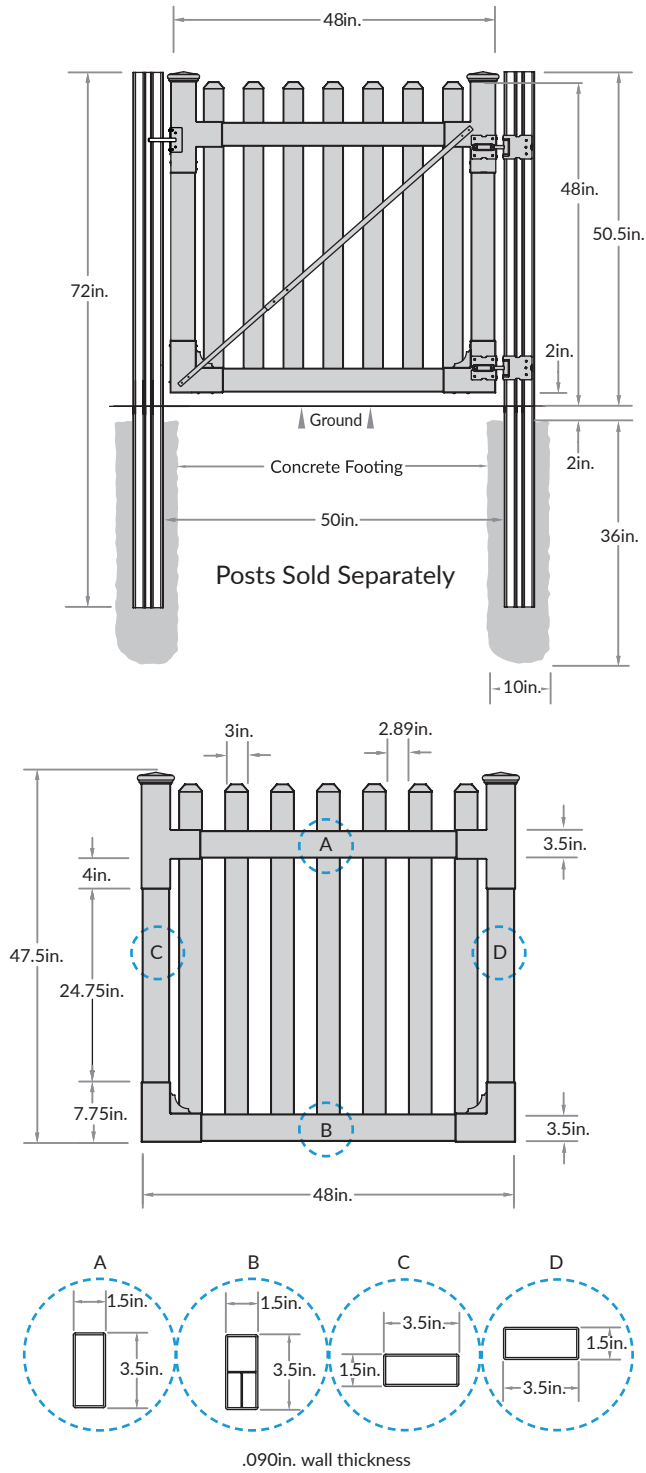
Your fence panels will be more forgiving for a custom fit than your gate. Position and install your gate posts before you do anything else.

4. Do not hang your gate system off a single non-supported post.

Your gate will perform better and last longer if your hinge post is connected to a panel of fence that is connected to another post. This way, the weight strain will be transferred onto two posts versus just one. Installing fence panels on both sides of your gate is ideal in all situations. If this is not possible because of space restrictions, please contact us for alternative solutions.



Detailed Product Dimensions & Specifications



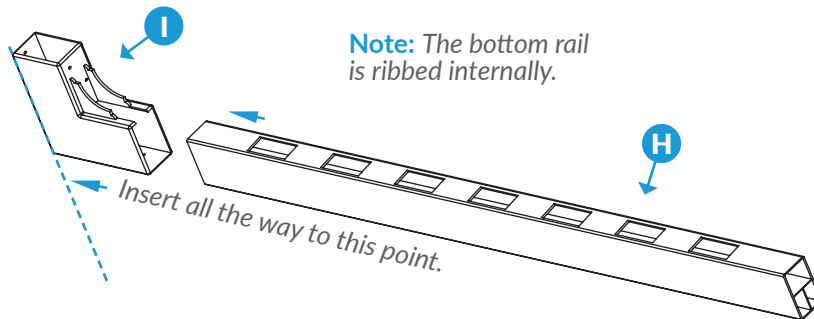
STEP 1: LAY OUT MATERIALS

<p>A</p> <p>Gate Cap (2)</p>	<p>B</p> <p>T-Bracket (2)</p>	<p>C</p> <p>Picket Cap (7)</p>	<p>L</p> <p>Hinges (2)</p>
<p>D</p> <p>Top Rail (1) 1½" x 3½" x 48"</p>	<p>E</p> <p>Vertical Stile (2) 1½" x 3½" x 32⅞"</p>	<p>F</p> <p>Picket (7) 7/8" x 3" x 42½"</p>	<p>M</p> <p>Latch Catch (1)</p>
<p>G</p> <p>Gate Brace (1)</p>	<p>H</p> <p>Bottom Rail (1) 1½" x 3½" x 48"</p>	<p>N</p> <p>Latch Finger (1)</p>	
<p>I</p> <p>Corner Bracket (2)</p>	<p>J</p> <p>1¼" Black Self-Drilling Steel Screw (24)</p>	<p>K</p> <p>2" Black Self-Drilling Steel Screw (14)</p>	<p>O</p> <p>1¼" White Self-Drilling Steel Screw (20)</p>
			<p>P</p> <p>Vinyl Glue (2)</p>
			<p>Q</p> <p>4" Gate Tension Pin (2)</p>

STEP 2: ASSEMBLE GATE FRAME BOTTOM AND SIDES

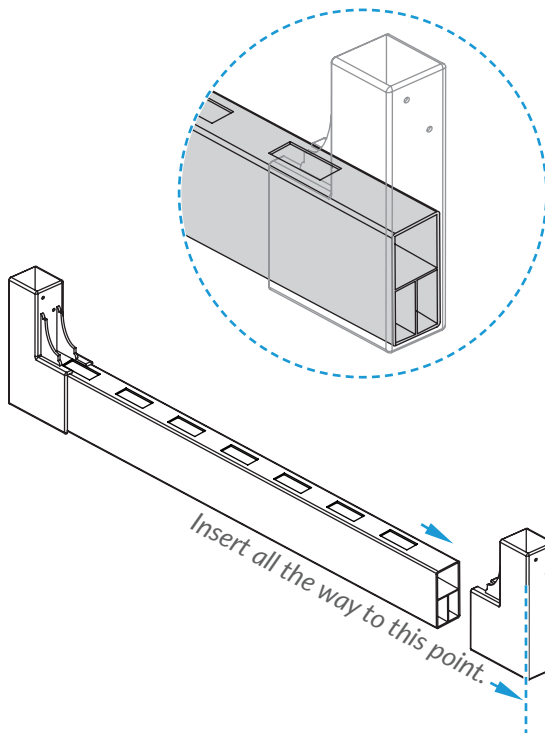
STEP 2.1

▶ Insert the Bottom Rail (H) all the way until it bottoms out inside the inside of the Corner Bracket (I).



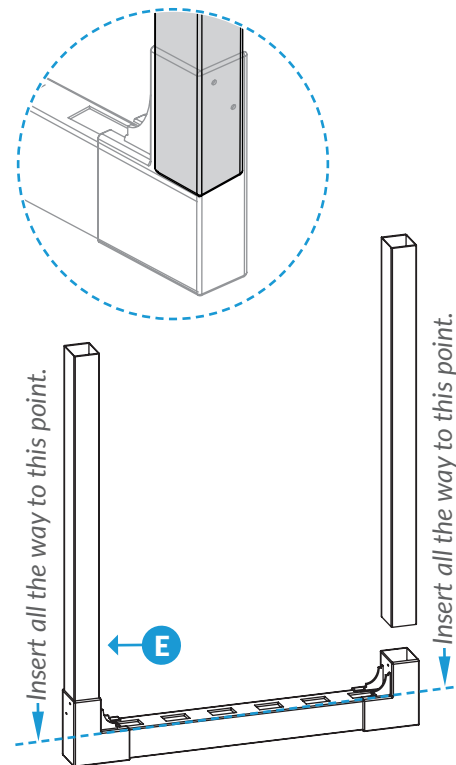
STEP 2.2

▶ Insert the bottom rail all the way until it bottoms out inside the opposite corner bracket as illustrated.



STEP 2.3

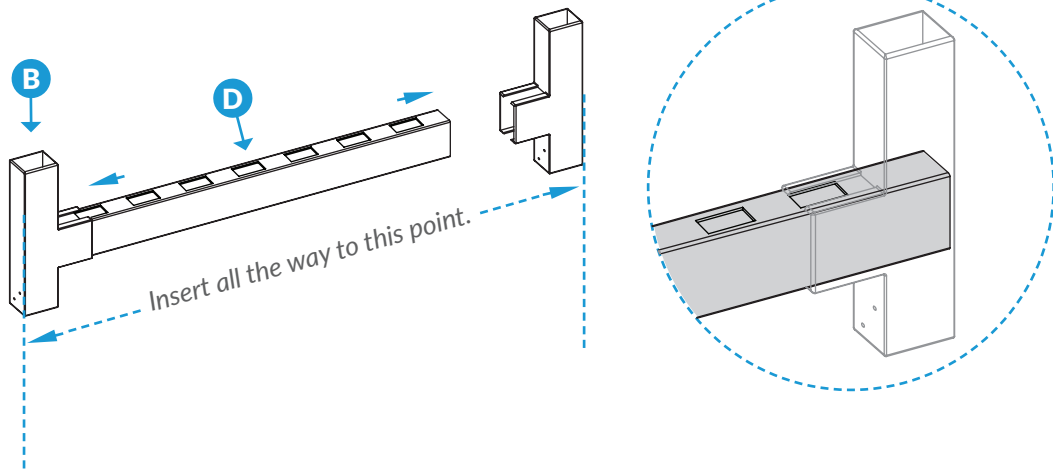
▶ Insert the Vertical Stiles (E). They will bottom out against the bottom rail.



STEP 3: ASSEMBLE THE GATE FRAME TOP AND ATTACH TO SIDES

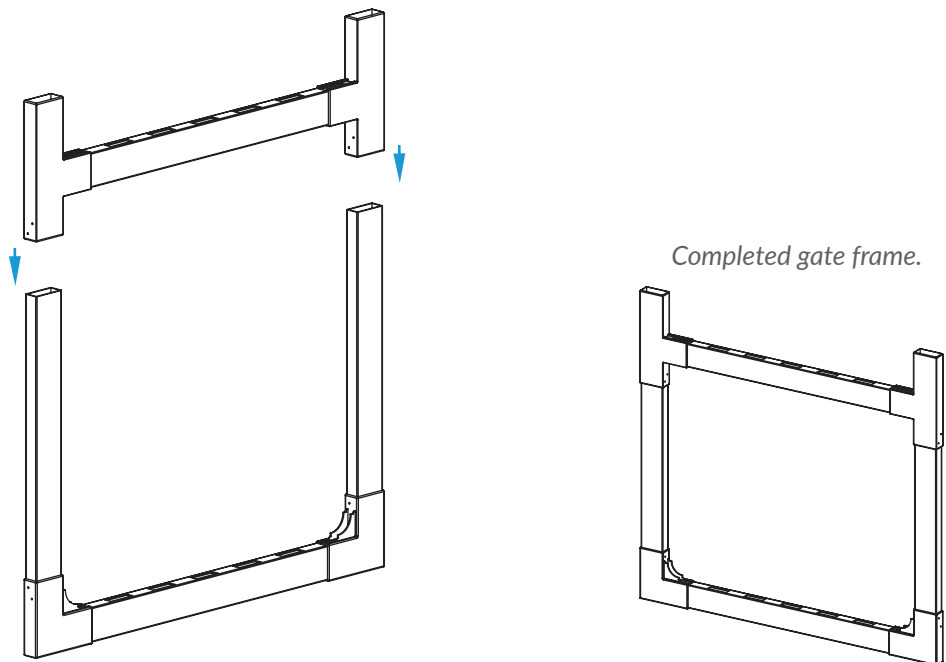
STEP 3.1

▶ Insert the Top Rail (D) into the T-Brackets (B) as illustrated.



STEP 3.2

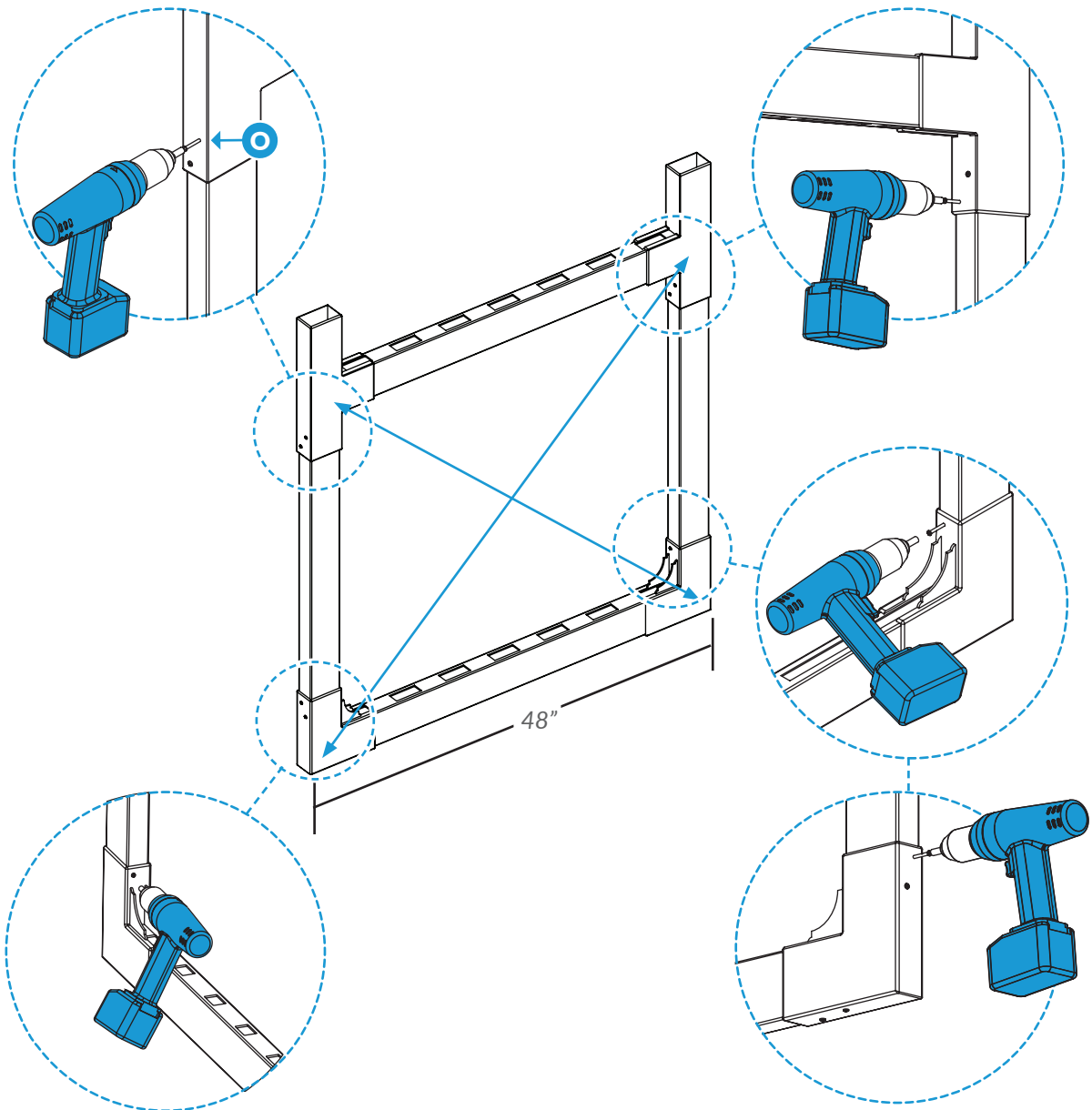
▶ Slide the T-brackets and the top rail down over the vertical stiles.



STEP 4: SECURE GATE FRAME AND BRACKETS

STEP 4.1

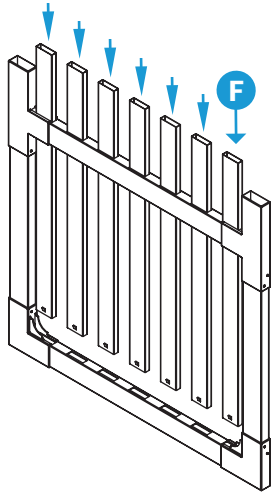
► Make sure your gate is square. The corner-to-corner measurements must be the same and the width of the gate should be 48". Secure the brackets using (16) 1¼" Self-Drilling Stainless Steel Screws (O) as illustrated.



STEP 5: INSERT PICKETS

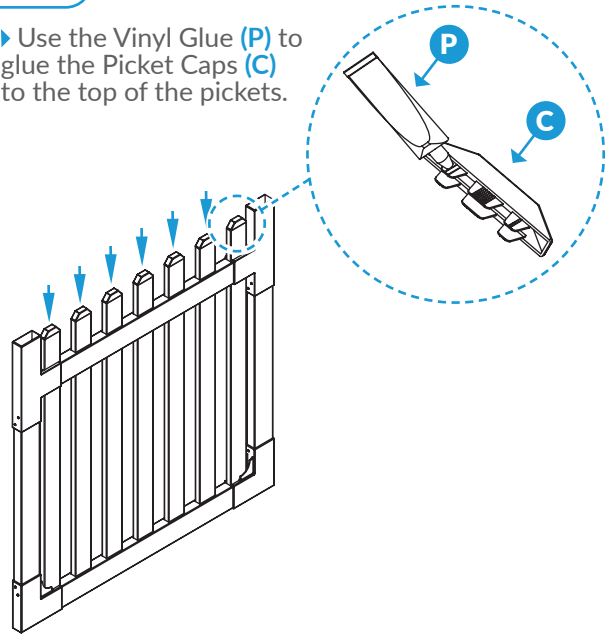
STEP 5.1

▶ Insert the Pickets (F) through the top rail and into the bottom rail. Make sure to insert the ends with the tabs first.



STEP 5.2

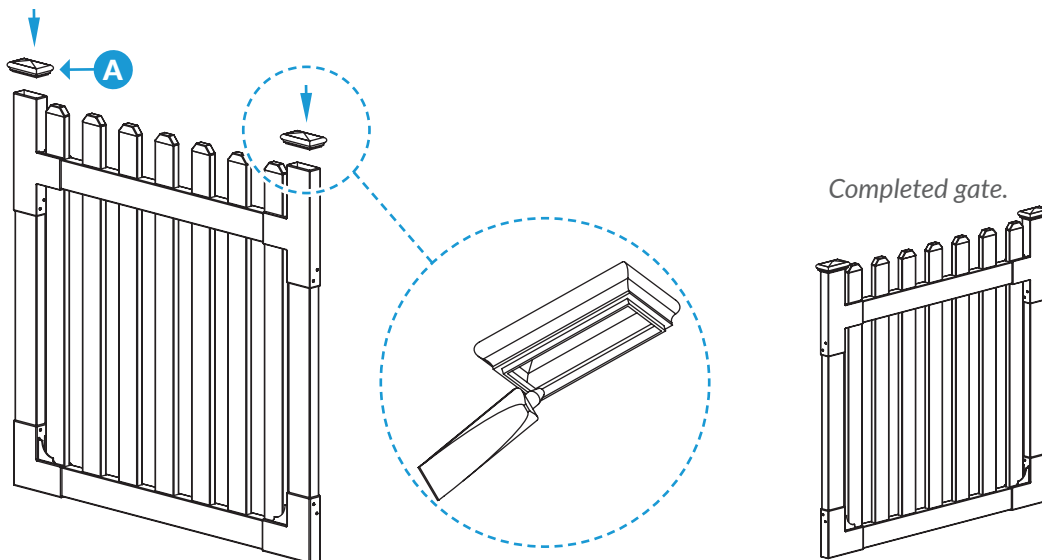
▶ Use the Vinyl Glue (P) to glue the Picket Caps (C) to the top of the pickets.



STEP 6: ATTACH POST CAPS

STEP 6.1

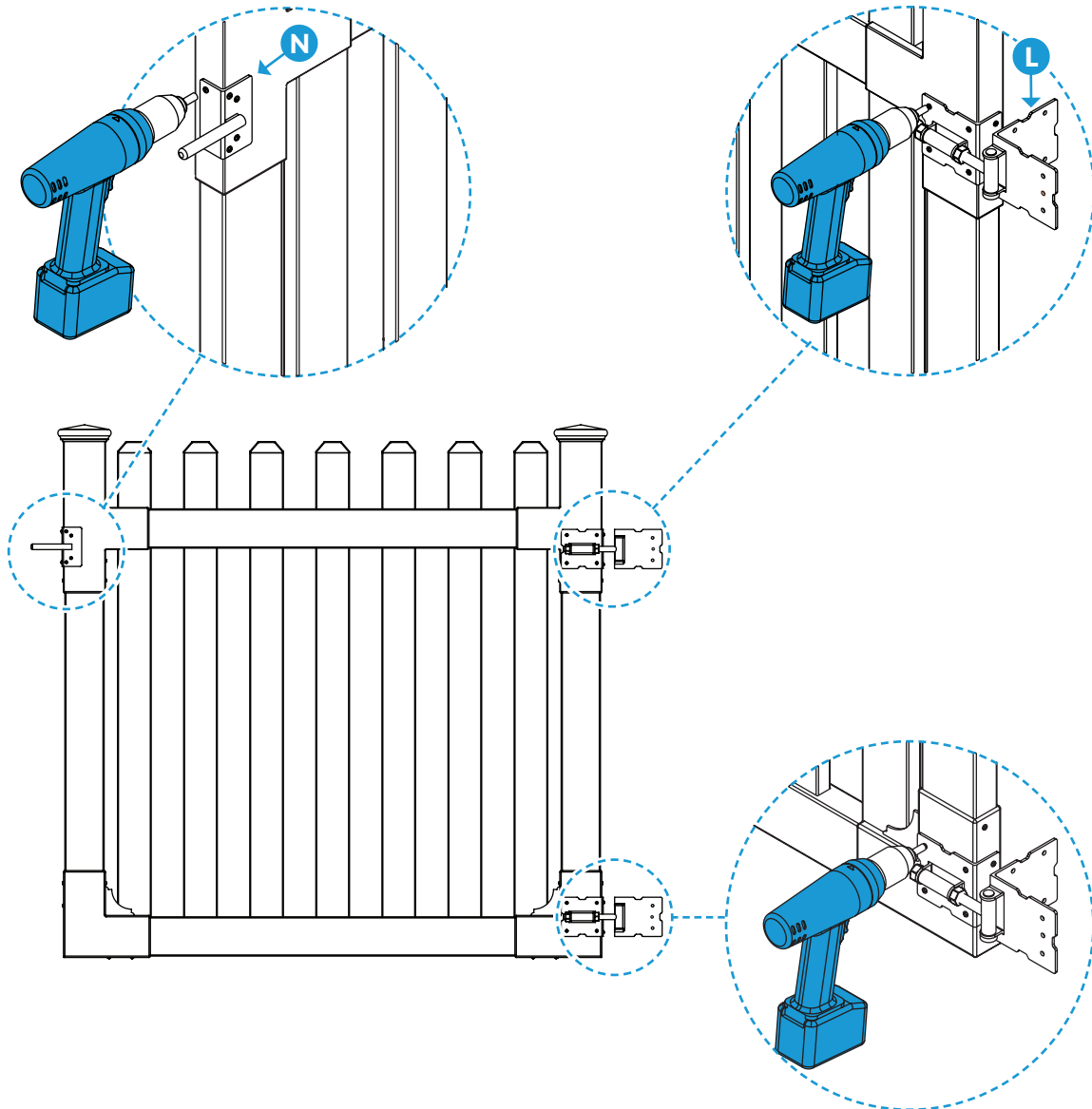
▶ Add vinyl glue to the Gate Caps (A) and attach them to the top of the brackets.



STEP 7: FASTEN GATE HINGES AND GATE LATCH

STEP 7.1

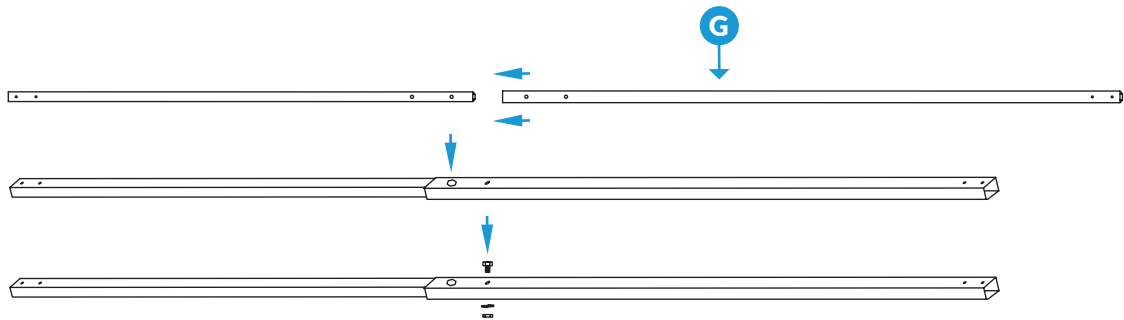
1. Fasten the Latch Finger (**N**) onto the T-bracket with (6) 1¼" Black Self-Drilling Stainless Steel Screws (**J**).
2. Fasten the Hinges (**L**) onto the opposite side of the gate with (12) total 1¼" black self-drilling stainless steel screws.



STEP 8: ASSEMBLE AND FASTEN GATE BRACE

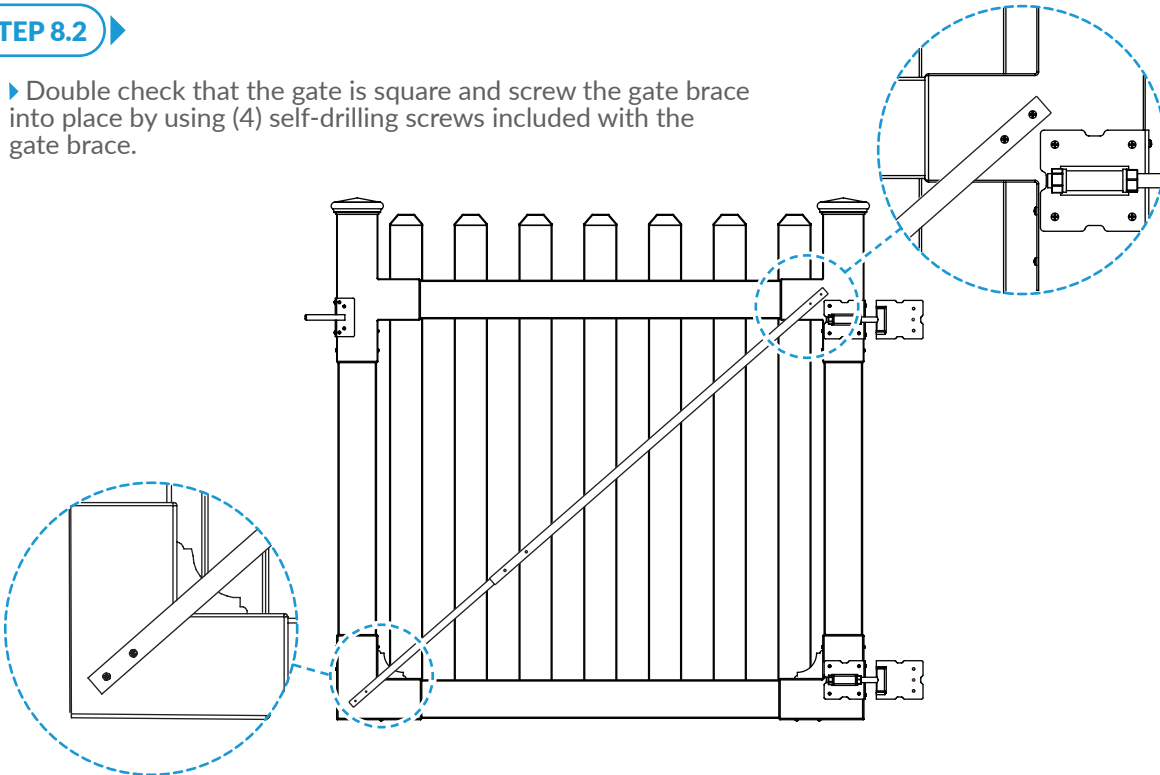
STEP 8.1

▶ Assemble the Gate Brace (G) by sliding the larger square tube over the smaller square tube. Align holes and install by using the included hardware.



STEP 8.2

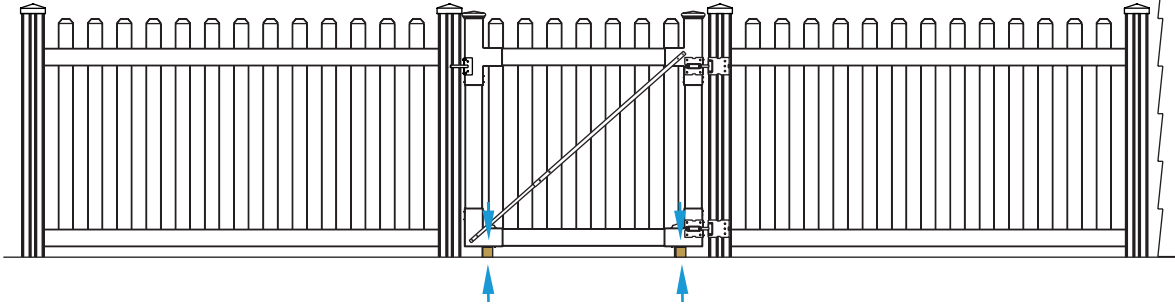
▶ Double check that the gate is square and screw the gate brace into place by using (4) self-drilling screws included with the gate brace.



STEP 9: ALIGN GATE AND SECURE HINGES TO POSTS

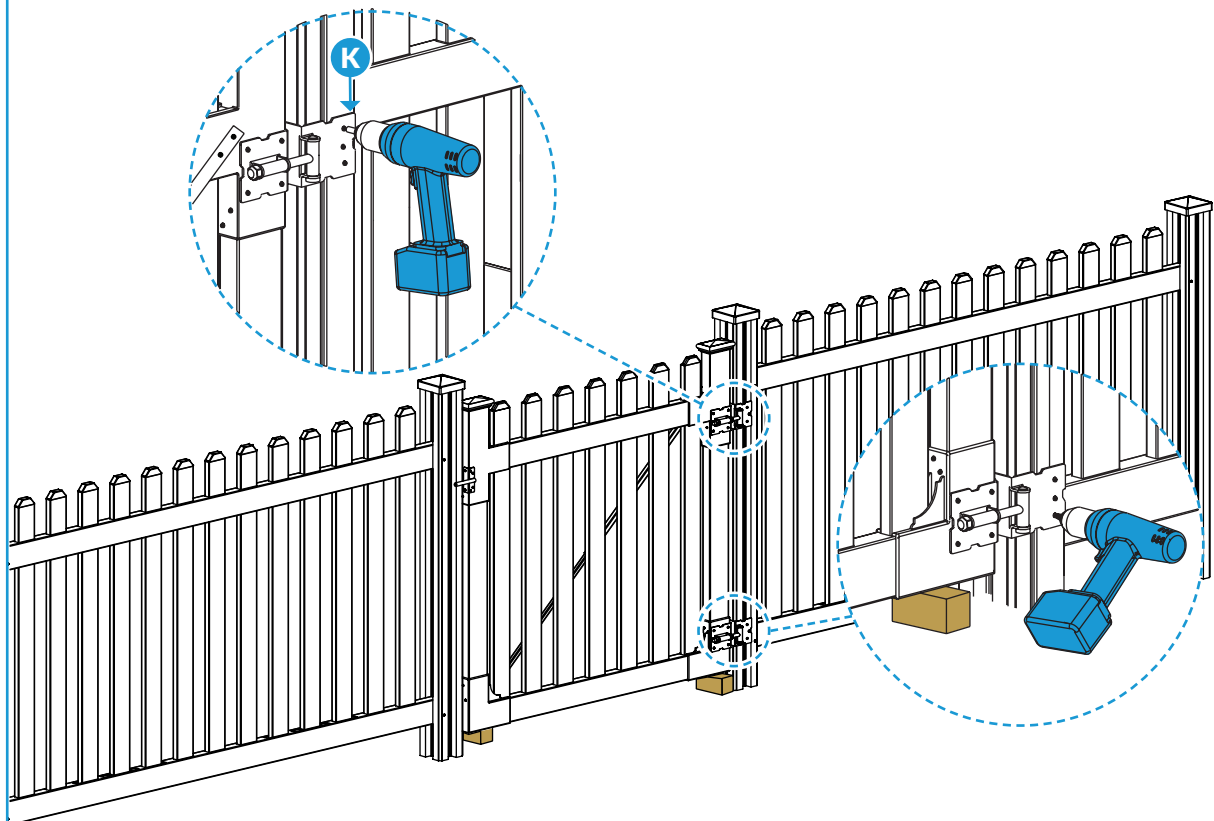
STEP 9.1

- ▶ Use wooden blocks as temporary spacers to rest the gate on during alignment and installation.



STEP 9.2

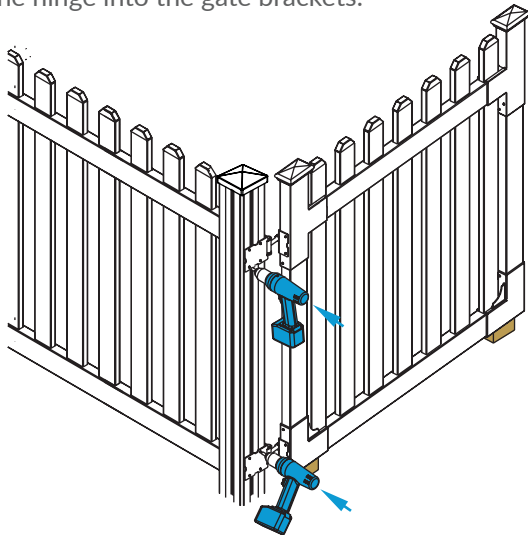
- ▶ Fasten the hinges to the posts by using (6) 2" Black Self-Drilling Stainless Steel Screws (K).



STEP 10: LEVEL GATE AND ADJUST HINGES

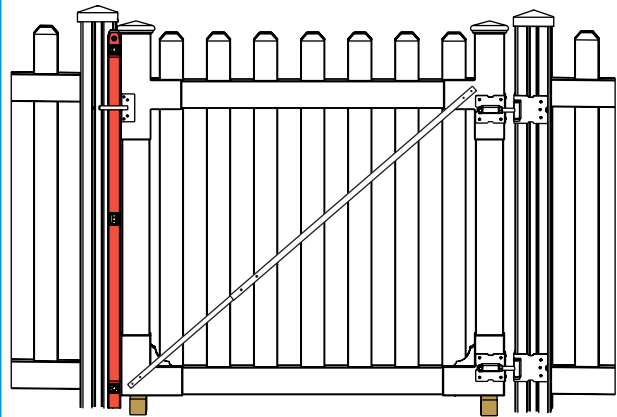
STEP 10.1 ▶

1. Open the gate and drive (8) total 2" black self-drilling stainless steel screws through the holes in the hinges into the post.
2. Drive (4) 1 1/4" black self-drilling stainless steel screws through the pre-drilled holes in the hinge into the gate brackets.



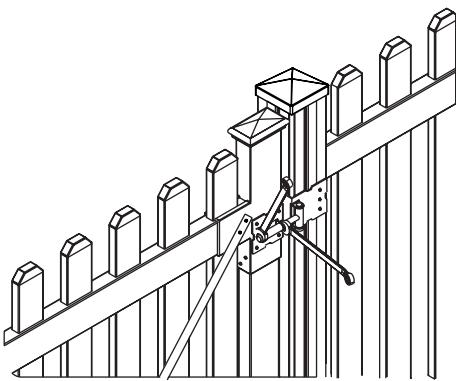
STEP 10.2 ▶

- ▶ Using a level, make sure that the gate fits and functions with its latching post.



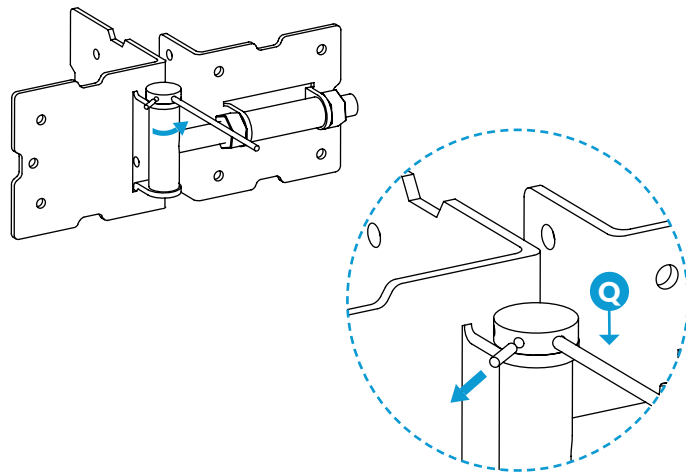
STEP 10.3 ▶

- ▶ The hinges can be adjusted moderately to level the gate's alignment with the post.



STEP 10.4 ▶

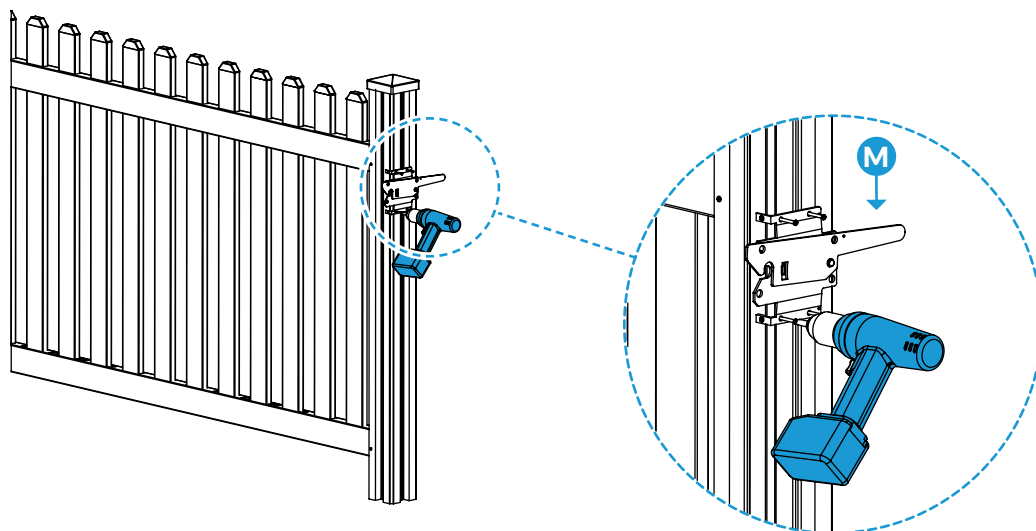
- ▶ To set the tension on the gate hinge, insert the 4" Gate Tension Pin (Q) into one of the holes on the hinge and rotate it to release tension on the gate hinge to remove the pin.



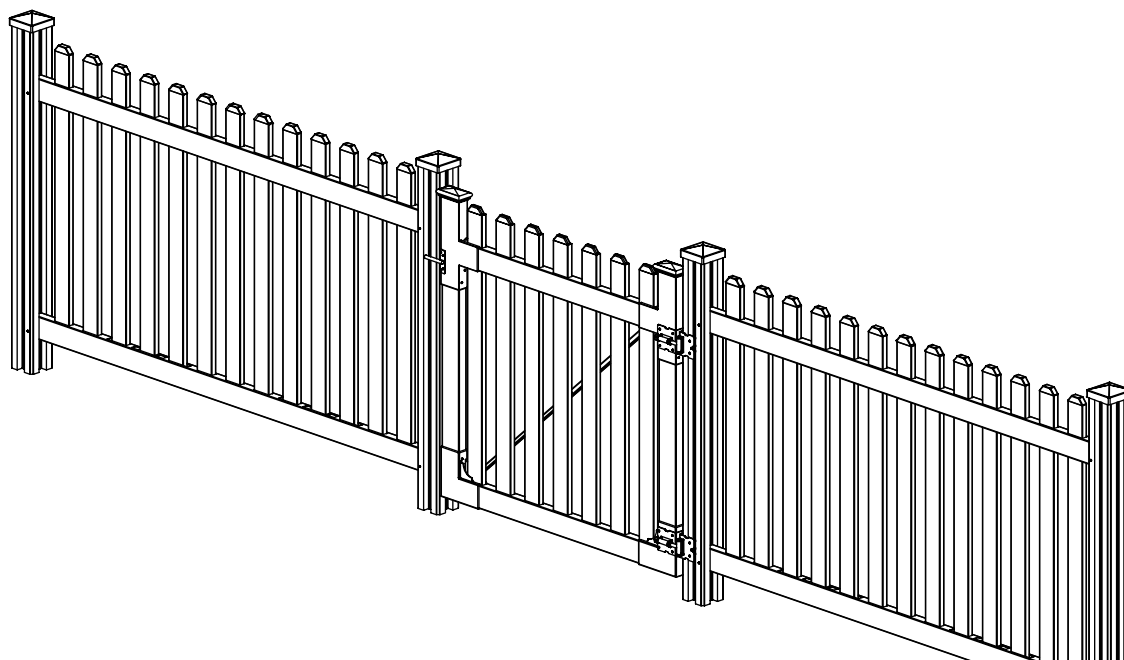
STEP 11: INSTALL GATE LATCH

STEP 11.1

- ▶ Align and fasten the Latch Catch (M) using (6) 1¼" black self-drilling stainless steel screws to fit and function with the latch finger.



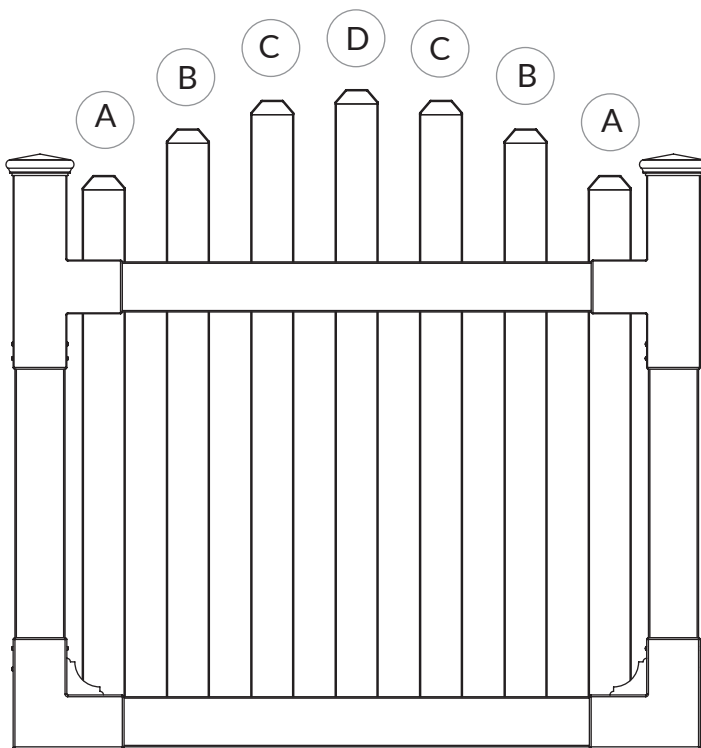
- ▶ Congratulations! You did it! Go grab a beverage of your choice, admire your handiwork, and show us what you got by entering our annual photo contest!



CUSTOMIZE YOUR GATE DESIGN:

Use the cutting guide below to trim pickets to create a custom gate design.

This gate can also be trimmed down both in width and height to accommodate custom applications.



A	37 $\frac{1}{8}$ "
B	40 $\frac{3}{8}$ "
C	42 $\frac{3}{8}$ "
D	43 $\frac{1}{8}$ "

Cut down the vertical stiles by 6"



TRADITIONAL



6935 Reames Rd. Ste. K.
Charlotte, NC 28216



hmmm@wambamfence.com

704-892-5222
877-778-5733



WWW.WAMBAMFENCE.COM