

INSTALLATION INSTRUCTIONS

LED OUTDOOR WALL

120VAC Input, Dimmable

READ AND FOLLOW SAFETY INFORMATION

Turn off the main power at the circuit breaker before installing and servicing the fixture to prevent possible injury from electric shock.

All electrical connections must be in accordance with local and National Electrical Code (N.E.C.) standards. If you are unfamiliar with proper electrical wiring connections, obtain the services of a qualified electrician.

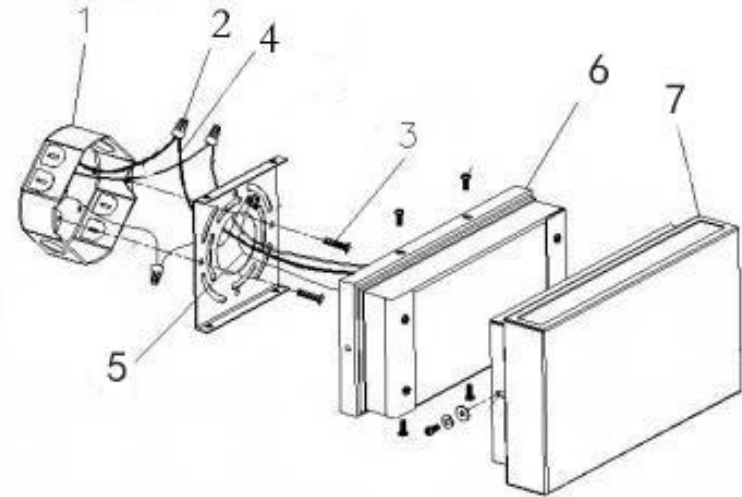
INSTALLATION & ASSEMBLY

Remove the fixture and the mounting package from the box and make sure that no parts are missing by referencing the illustrations on the installation instructions.

1. Place the mounting wall plate(3) over the outlet box(1), align the mounting slots of the wall plate with holes of the outlet box as shown. Use a level to ensure the wall plate(3) is straight.
2. Mark the location of the keyhole slots of the wall plate on the wall. Drill a ¼" holes at the narrow end of each keyhole slot marking on the wall. Carefully hammer a wall anchor into each drilled hole.
3. Place the fixture base (7) over the mounting wall plate (3) and fixture screws (6) .
4. Installation complete, restore power at the circuit breaker and turn light switch on to activate this fixture.
5. After installing the fixture, caulk upper 2/3 of wire connection enclosure to mounting surface. Leave bottom 1/3 un-caulked for drainage of any water that might leak into the enclosure. The manufacturer recommends a non-drying exterior caulking material. A good example is a clear silicone rubber sealant for exterior use.

Care and maintenance – Use dry and clean cloth to wipe the surface of the fixture

Replacement- This LED product has no bulb to replace.



1. OUTLET BOX (EXCLUDED)
2. WIRE NUTS
3. MOUNTING WALL PLATE
4. WHITE FIXTURE WIRE
5. BLACK FIXTURE WIRE
6. FIXTURE SCREWS 1
7. FIXTURE BASE