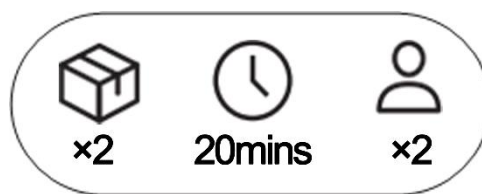
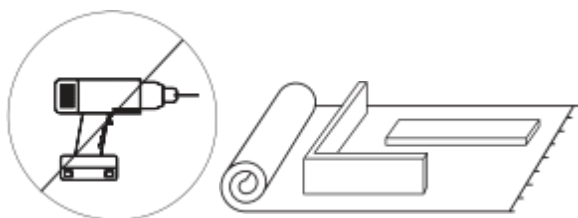
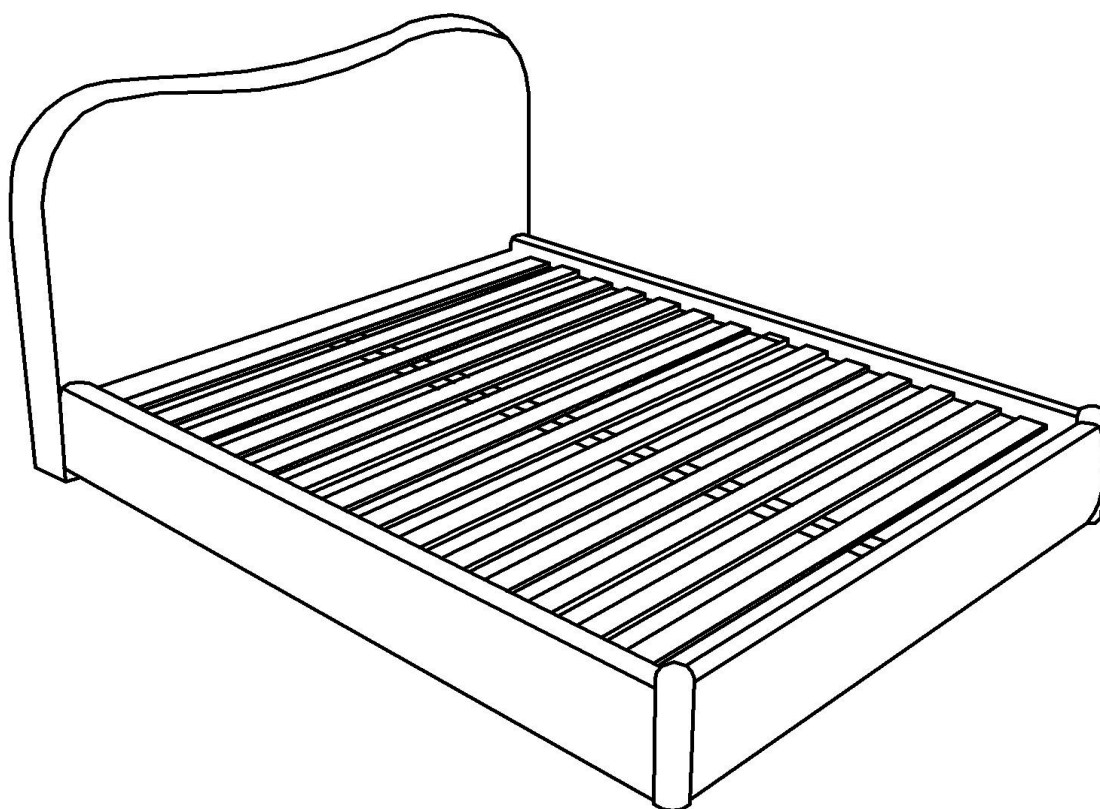






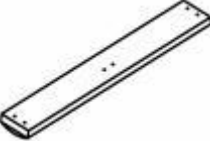



BED FRAME ASSEMBLY

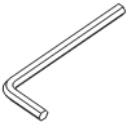


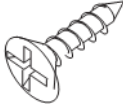

BSC131



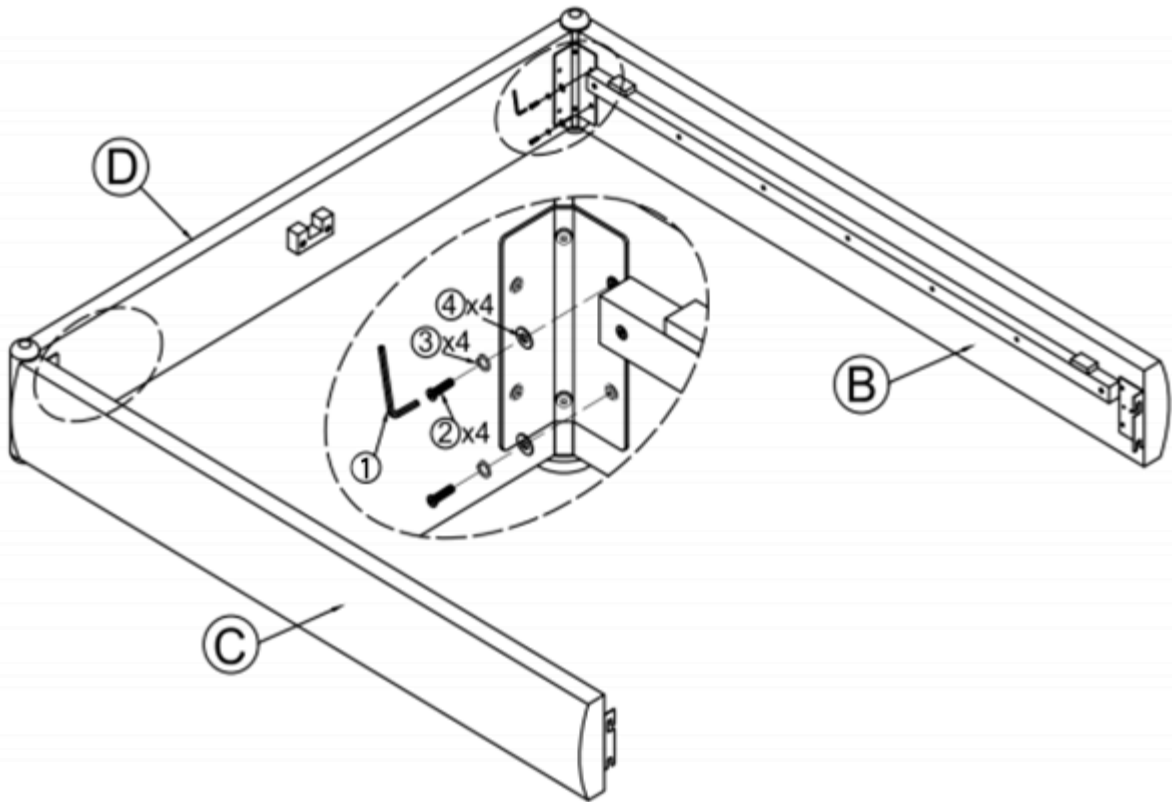
Parts

	A	x1	Headboard		E	x1	Slat
	B	x1	Side Rail L		F	x1	Support Bar
	C	x1	Side Rail R		G	X4	Bracket
	D	x1	Footboard		H	X3	Support Leg

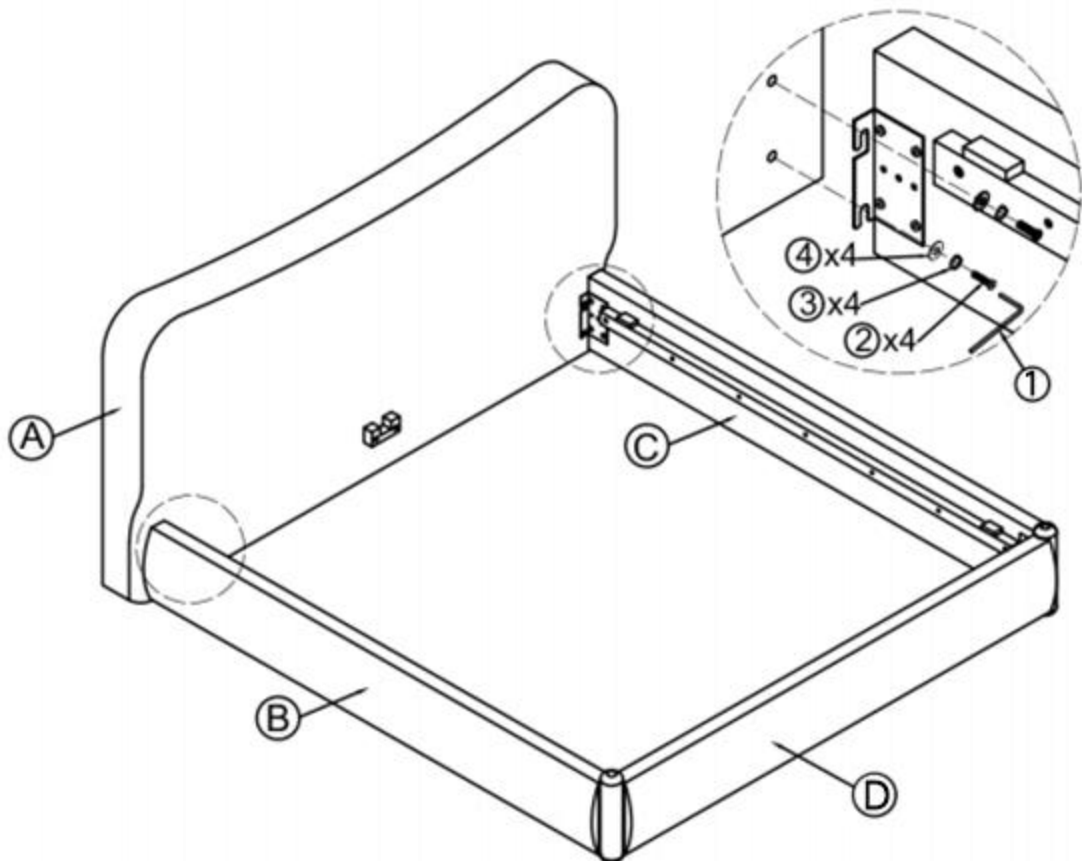
Hardware

	1	X1	Allen Key		4	X24	Flat Washer
	2	X24	Bolt M8*30mm		5	X32	Screw M3.5*30mm
	3	X24	Spring Washer				

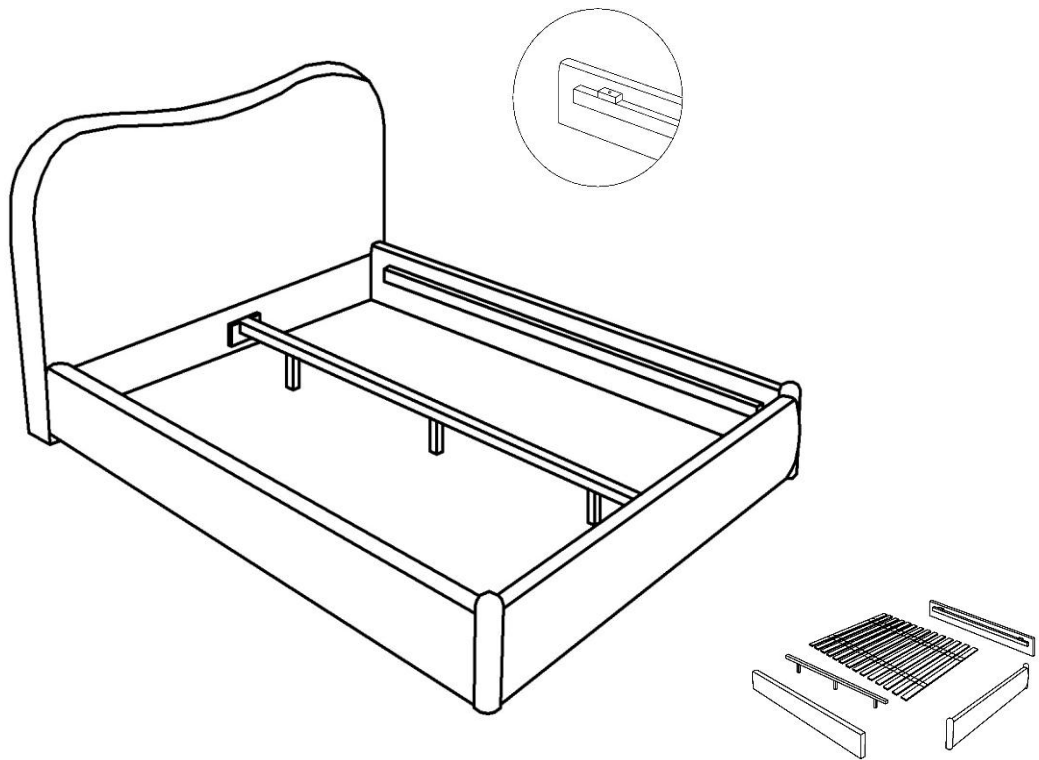
Step 1



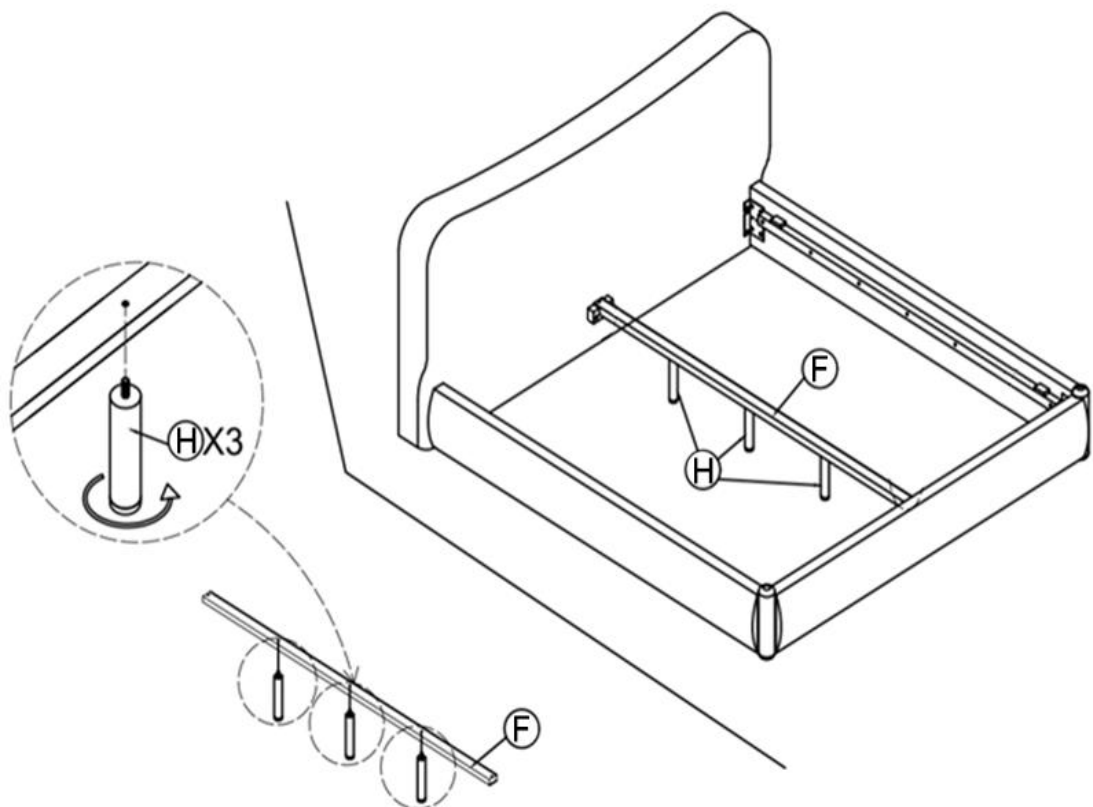
Step 2



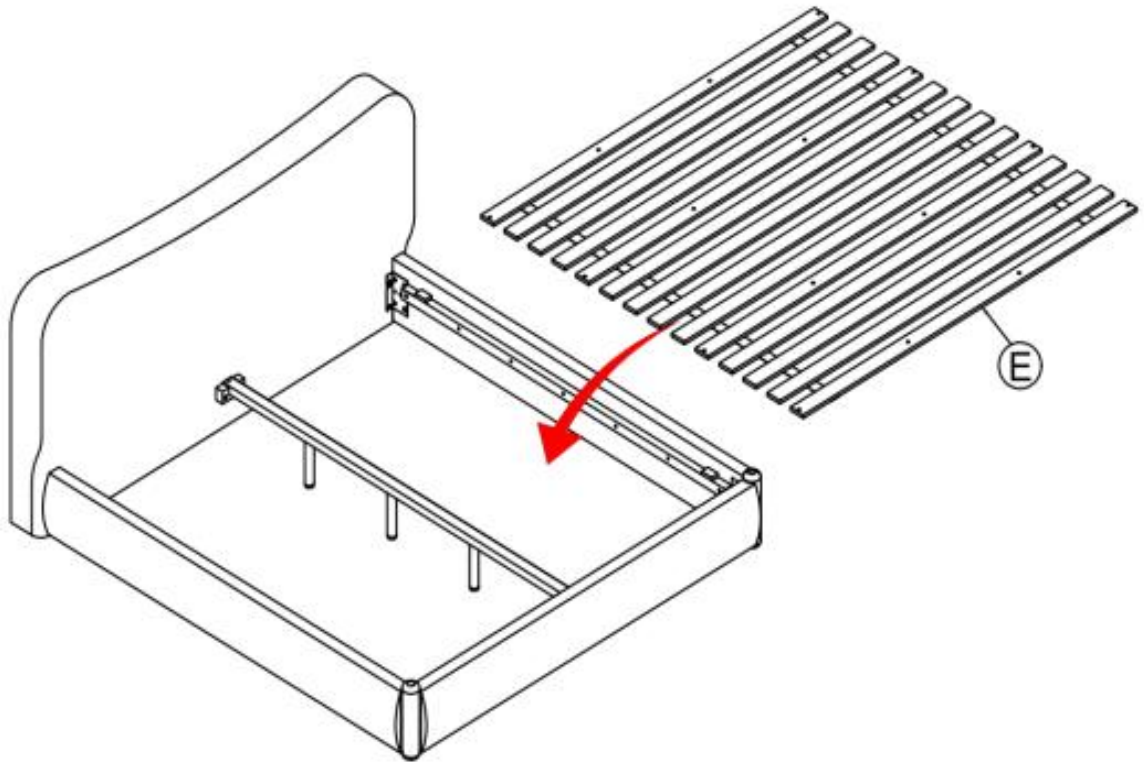
Step 3



Step 4



Step 5



Step 6

