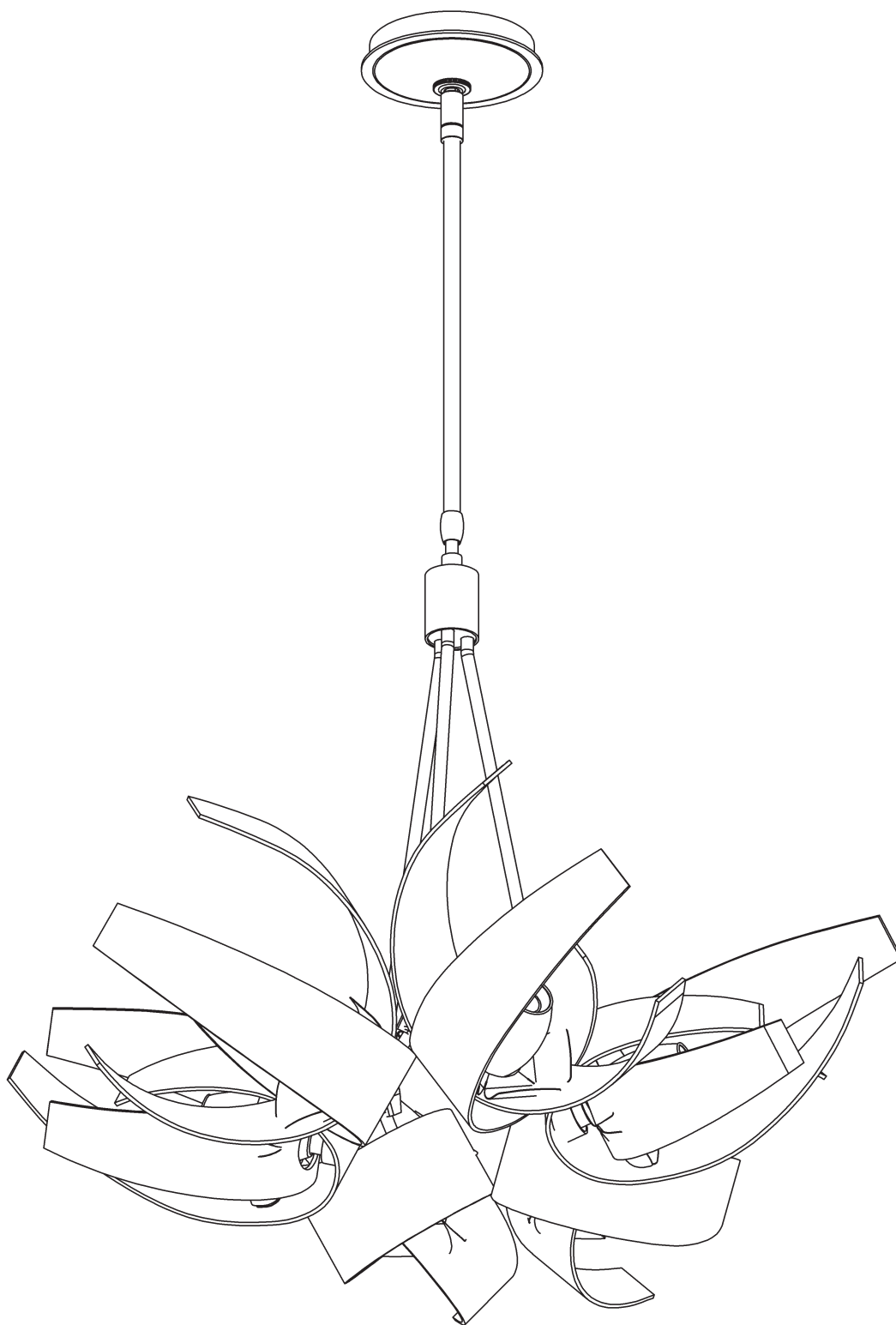


ASSEMBLY & INSTALLATION INSTRUCTIONS

A641

Corona Pendant with Brass Accent 136502



HUBBARDTON FORGE.

Component Parts

- A Fixture Pipe**
- B Fixture Coupling**
- C Crossbar**
- D Jam Nut**
- E Threaded Nipple**
- F Canopy**
- G Canopy Ring**
- H Fixture**
- I Support Cable**
- J Cable Gripper**
- K Canopy Pipe Assembly**
- L Clutch**
- M Plastic Sleeve**
- N Set Screw**
- O Ground Screw**
- P Cupped Washer**
- Q Socket (6)**
- R Bulb (6)**
- S Brass Accent (6)**
- T Glass (6)**

Corona Pendant with Brass Accent 136502

CAUTION: FAILURE TO INSTALL THIS FIXTURE PROPERLY MAY RESULT IN SERIOUS PERSONAL INJURY OR DEATH AND PROPERTY DAMAGE. We recommend installation by a licensed electrician. This product must be installed in accordance with applicable installation code(s), by a person familiar with the construction and operation of the product and the hazards involved.*

Caution: Do not exceed maximum wattage noted on fixture. Use only recommended bulbs with fixture.

Please Note: After installation extra hardware and accessories are possible; our kits are used on multiple products.

To Install Fixture (Figures 1 thru 3)

CAUTION: BE SURE POWER IS OFF AT THE MAIN BREAKER BOX PRIOR TO INSTALLATION.

1. Carefully unpack fixture (H) from the carton.
2. Thread jam nut (D) and crossbar (C) onto threaded nipple (E). Leave parts loose. Threaded nipple is attached to canopy pipe assembly (K).
3. Using two machine screws (not provided), temporarily fasten crossbar (C) to the electric box.

Note: A new electric box comes with screws. When replacing a fixture, retain existing screws for use with new fixture.

4. Adjust length of threaded nipple (E) in crossbar (C) so canopy ring (G) will hold canopy (F) against the ceiling with no threads showing for best appearance. When the correct adjustment is established, tighten jam nut (D) against crossbar to hold adjustment.
5. Remove crossbar (C) from electrical box and proceed with assembly instructions.
6. Locate fixture pipe (A) and slip it over the wires and support cable coming from fixture.
7. Apply a drop of the supplied thread locking compound to the internal threads of fixture coupling (B) and screw fixture pipe (A) into fixture coupling, being careful not to twist the wires.

Note: Application of the thread locking compound is necessary to prevent the stem from loosening during regular maintenance and cleaning of the fixture. Be certain to apply the compound.

8. Carefully slide canopy ring (G) and canopy (F) over fixture pipe (A) until it rests on the fixture (H). Make sure the smaller diameter side of canopy ring is oriented up.
9. Slide the wires and support cable (A) from fixture pipe (A) through canopy pipe assembly (K).
10. Unscrew clutch (L) from canopy pipe assembly (K); slide it across the wires and onto fixture pipe (A). It may be necessary to loosen set screw (N) in the clutch (L). Follow this with plastic sleeve (M), oriented so the tapered end nests in clutch (L) (Figure 2).
11. Slide the fixture pipe (A) into the canopy pipe assembly (K) as far as necessary to give you the total length of the fixture which you desire. Be careful not to scratch the pipe surface and to pull excess wire up through the canopy pipe assembly (K). There must be a minimum 1-1/2" of inner pipe inside the outer pipe.
12. Tighten set screw (N) in clutch (L) firmly with hex wrench provided.

ASSEMBLY & INSTALLATION INSTRUCTIONS

A641

Corona Pendant with Brass Accent 136502

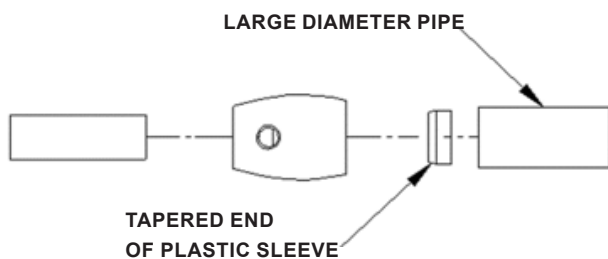
13. Thread support cable (I) through front tab on crossbar (C) and push into cable gripper (J). Once cable (I) is through the gripper (J), attach it to crossbar (C) using flat head screw provided. Pull the cable through the gripper until cable is tight and has no slack. Once support cable is at the correct height, excess cable behind the gripper can be cut off, leave approximately one inch of cable past the gripper. (Figure 3).
14. Using two machine screws (not provided), fasten the crossbar (C) to the electric box.
15. Using suitable wire connectors (not provided) connect fixture wires to supply (white to white and black to black). Attach a pigtail lead to the crossbar ground screw (O) and cupped washer (P). Holding canopy (F) close to the ceiling, connect all ground wires (bare copper or green to bare copper or green). Push wires back into electrical box.

CAUTION: MAKE SURE WIRE CONNECTORS ARE TWISTED ON SECURELY AND NO BARE WIRE IS EXPOSED.

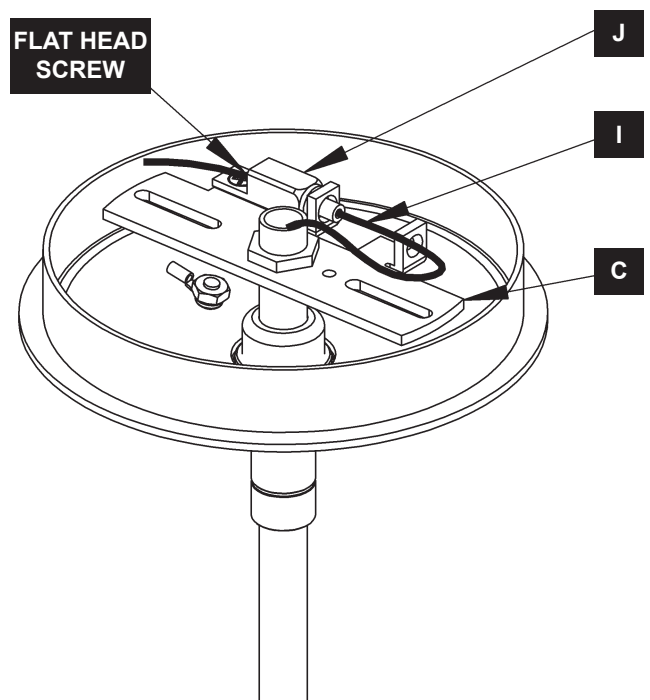
16. Push canopy (F) against ceiling and secure with canopy ring (G).

CAUTION: BE SURE NO WIRES ARE PINCHED BETWEEN THE CANOPY (E) AND THE CEILING.

17. Follow steps on next pages to install glass and brass accents.



(Figure 2)

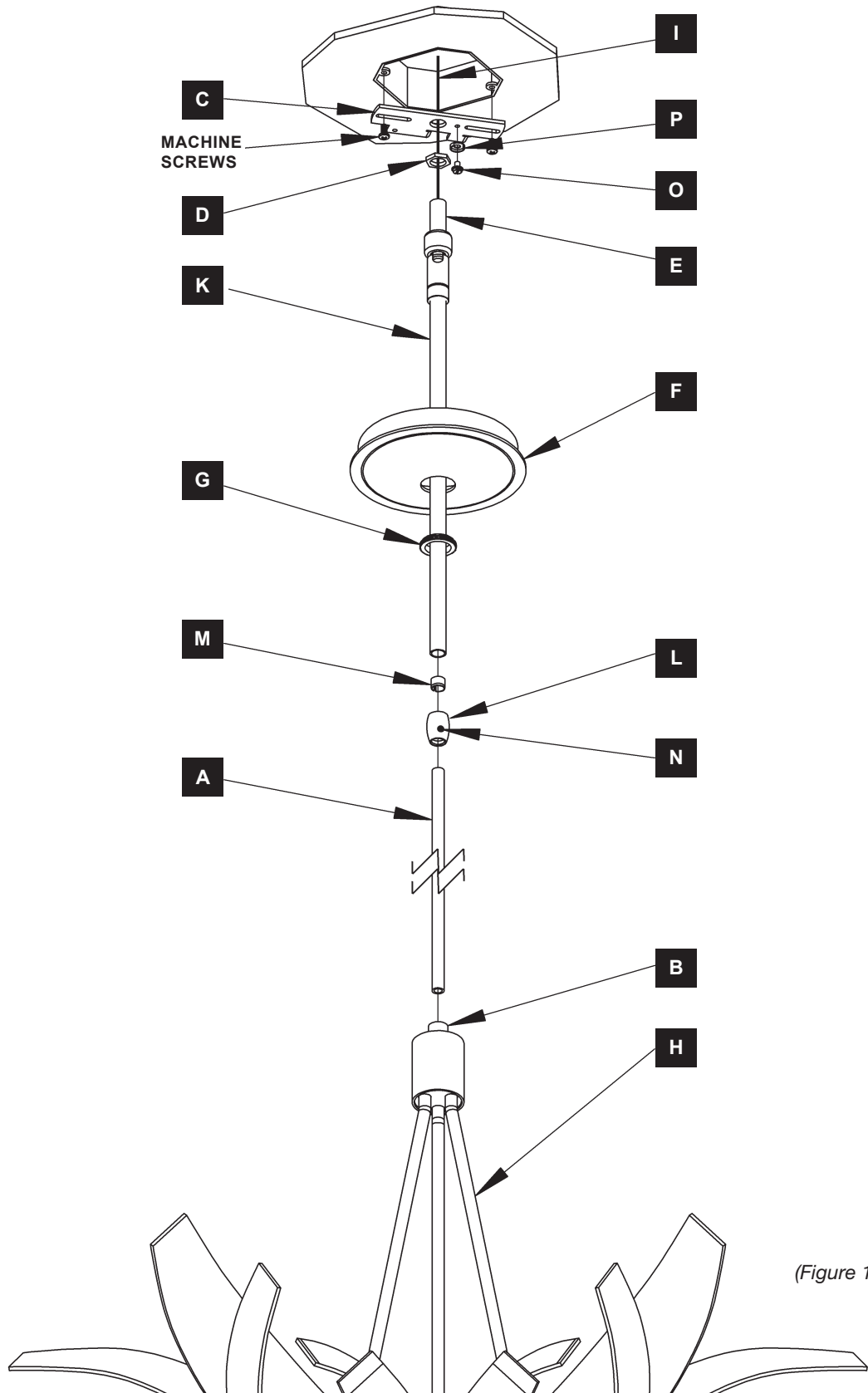


(Figure 3)

ASSEMBLY & INSTALLATION INSTRUCTIONS

A641

Corona Pendant with Brass Accent 136502



(Figure 1)



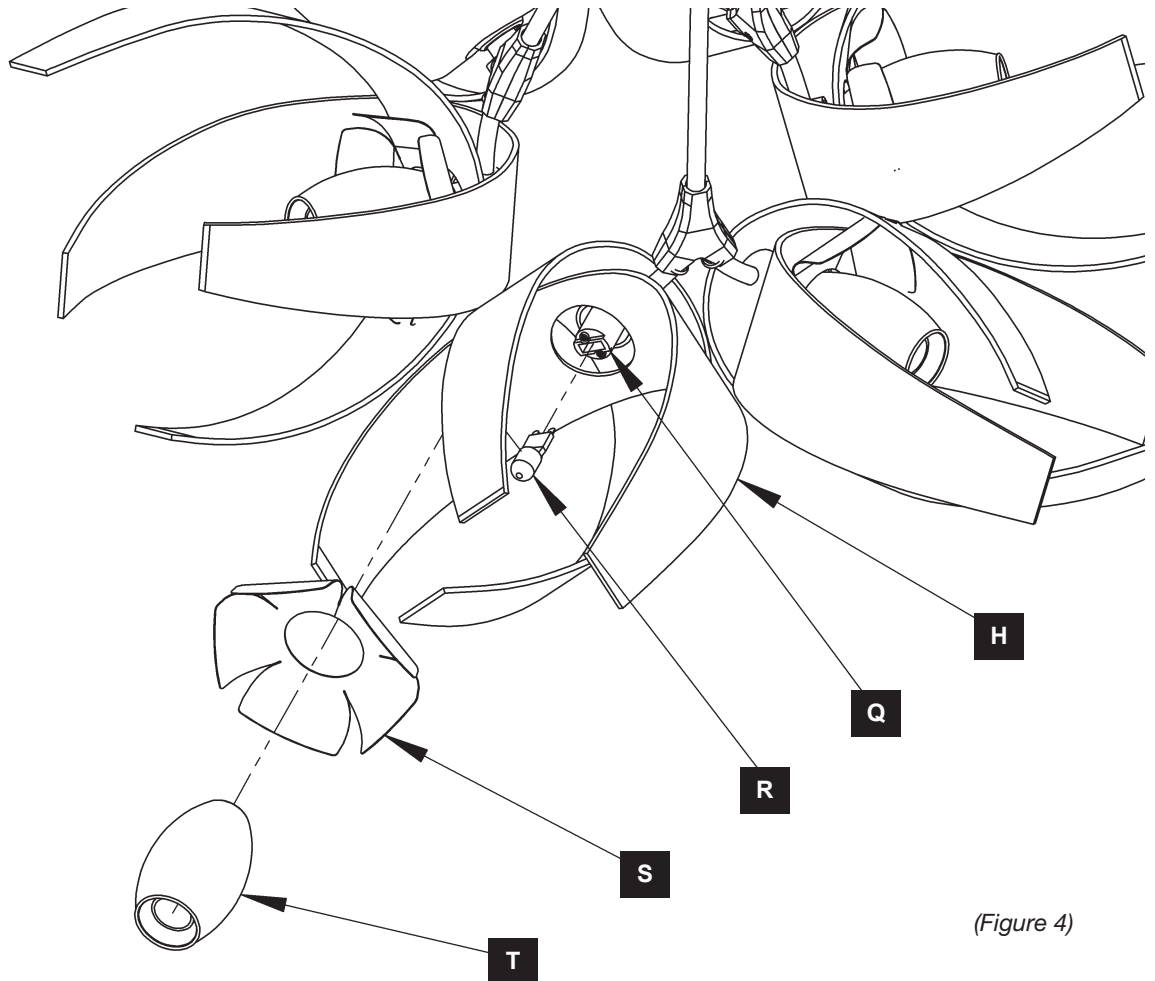
HUBBARDTON FORGE.

To Complete Install *(Figure 4)*

1. Install light bulb (R) into socket (Q). Be careful not to touch bulb with bare hands; oil from the hands will dramatically reduce bulb life.

NOTE: The bulb included is based on our design preference; see the fixtures wattage sticker for Max wattage information.

2. Slide brass accent (S) over bulb (R and socket (Q).
3. Slip glass (T), over socket (Q) and thread on until snug. Be careful not to over tighten.
4. Repeat for remaining sockets (Q).
5. Restore electricity at the main breaker.



(Figure 4)

If you need further assistance, or find that you are missing any parts, please contact the dealer from which you purchased this product. We hope you enjoy your fixture!

*** Hubbardton Forge will not be liable for injury or damage caused by improper installation, lamping or use of this fixture.**