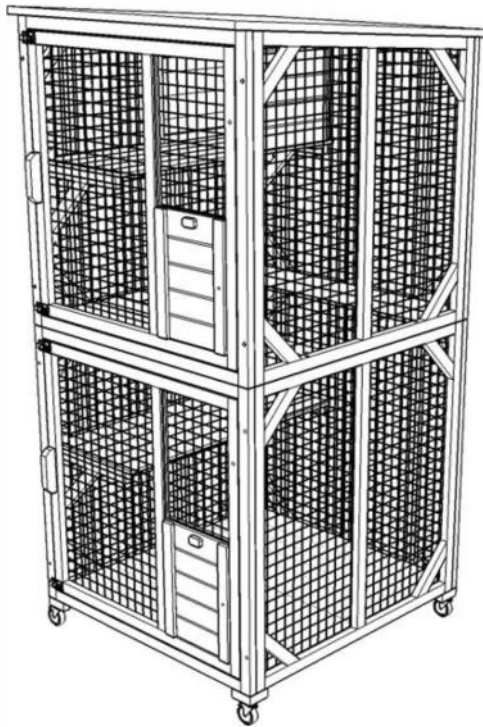


INSTRUCTION FOR CAT CAGE



NEED HELP? CONTACT US!

Have product questions? Need technical support? Please feel free to contact us:

This is the original instruction, please read all manual instructions carefully before operating. We reserve a clear interpretation of our user manual. The appearance of the product shall be subject to the product you received. Please forgive us that we won't inform you again if there are any technology or software updates on our product.

WARNING:

Read this material before using this product. Failure to do so can result in serious injury.

Assembly precautions

1. Assemble only according to these instructions. Improper assembly can create hazards.
2. In order to ensure your own safety, please make sure to ANSI-approved safety goggles and heavy-duty work gloves when installing this product.
3. Keep the assembly area clean and well lit.
4. Keep bystanders out of the area during assembly.
5. Do not assemble when tired or when under the influence of alcohol, drugs or medication.
6. Product capabilities apply to properly and completely assembled product only.
7. Assemble on a flat, level, hard and smooth surface capable of safely supporting a fully loaded cat cage.

Use precautions

TO PREVENT SERIOUS INJURY AND DEATH FROM TIPPING:

1. DO NOT SIT OR STAND ON THIS ITEM.
2. This product is not a toy. Do not allow children to play with or near this item. Please keep small spare parts out of children's reach.
3. Use only on a flat, level, hard and smooth surface capable of safely supporting a fully loaded cat cage.
4. Use as intended only.
5. Inspect before every use; do not use if parts are loose or damaged.

SAVE THESE INSTRUCTIONS

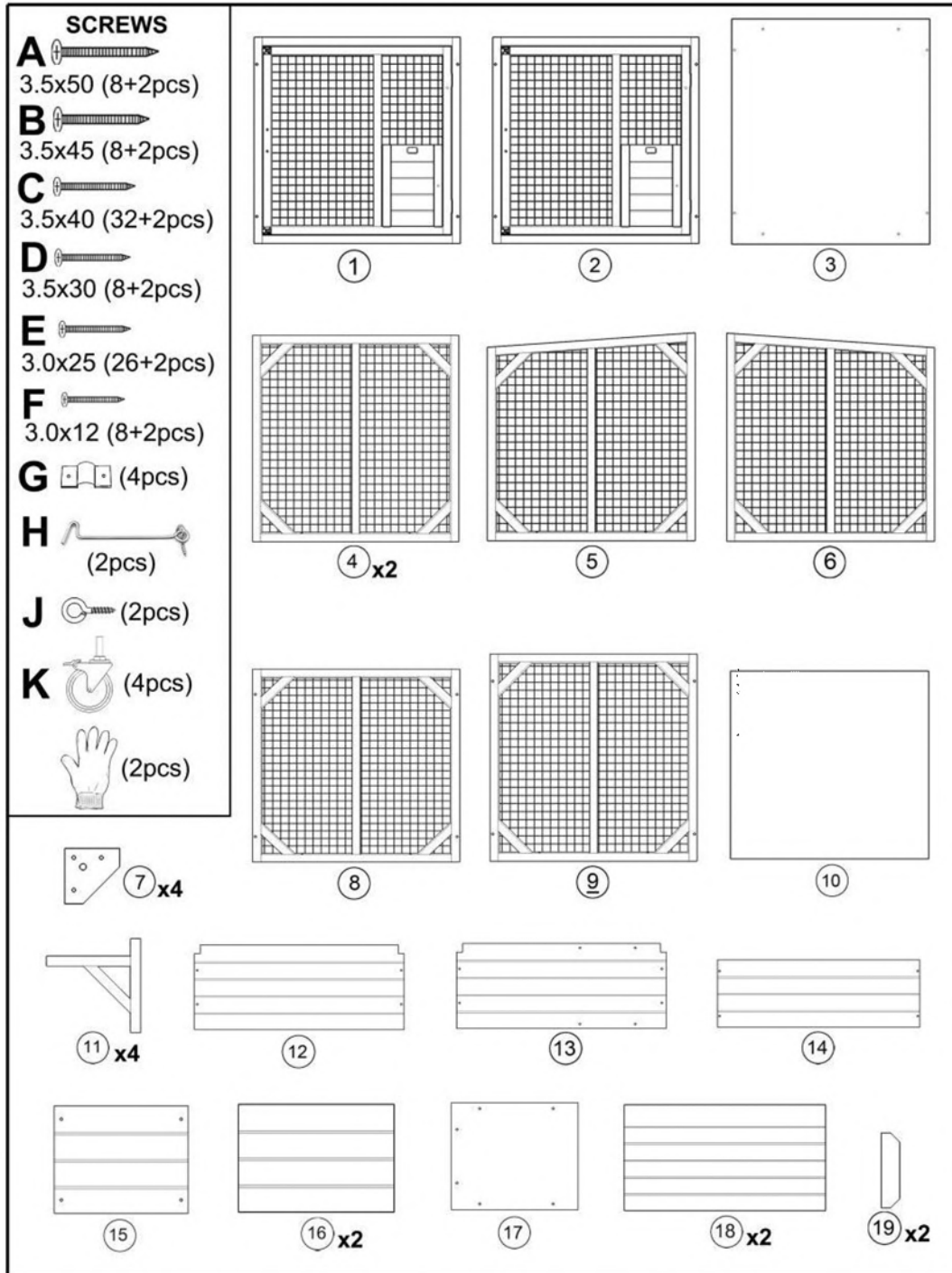
SPECIFICATIONS

Product Size	760×865×1630mm
Color	Gray

COMPONENTS

Notice:

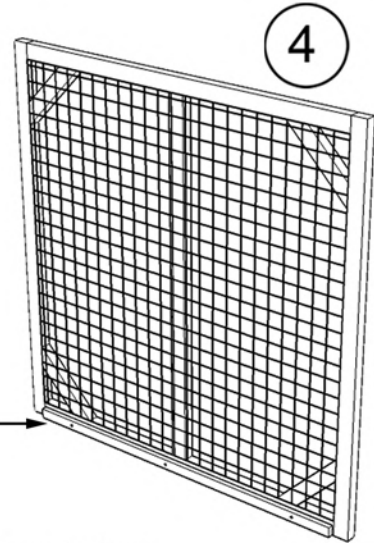
1. Various specifications of screws are used in the installation of this product. Pay attention to the correct use of screw specifications according to the instruction manual.
2. Please wear gloves when installing.



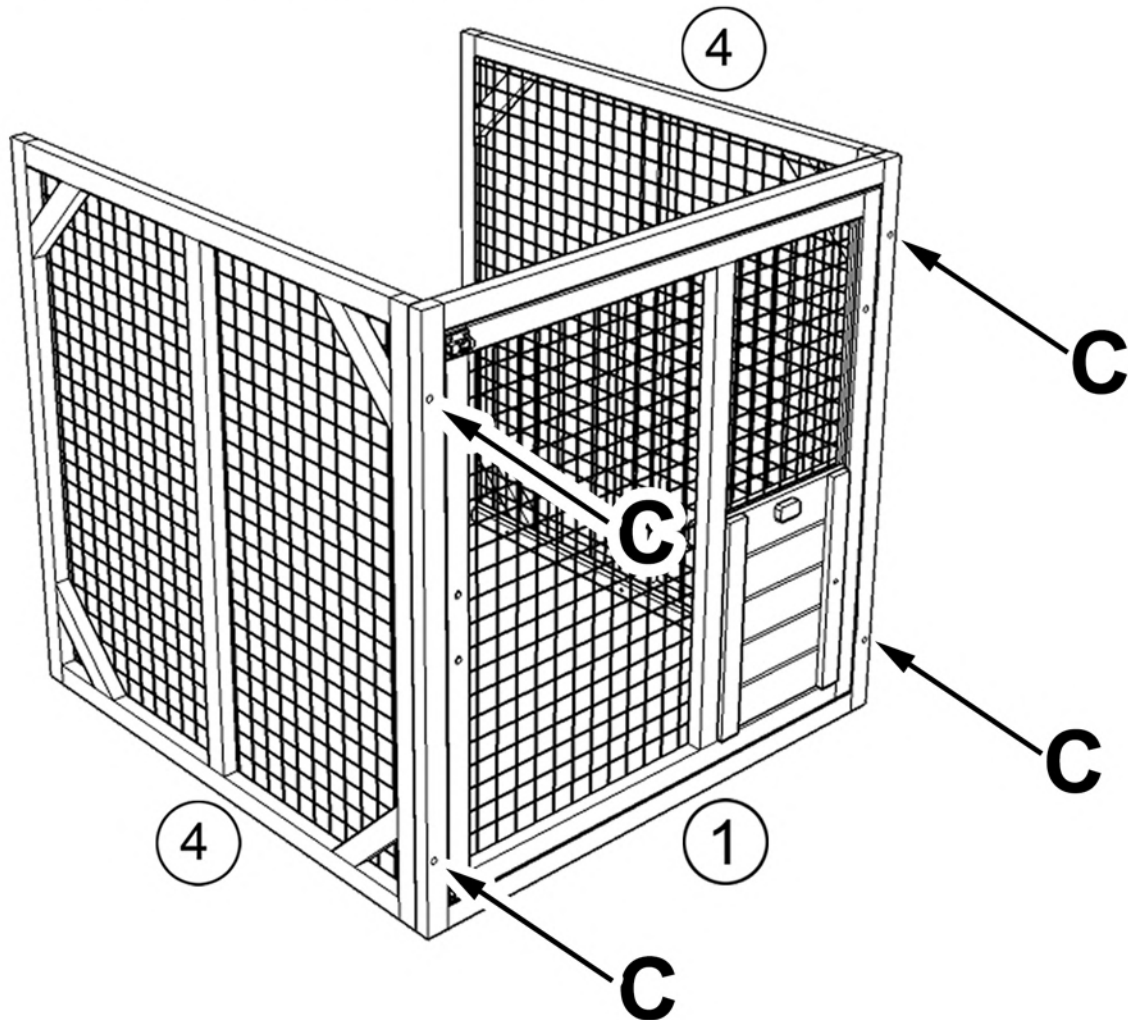
Assembly Instructions

Please be noted that the side with wire nailed on is back side, should be inward when installation

This end with a long piece of wood is placed at bottom

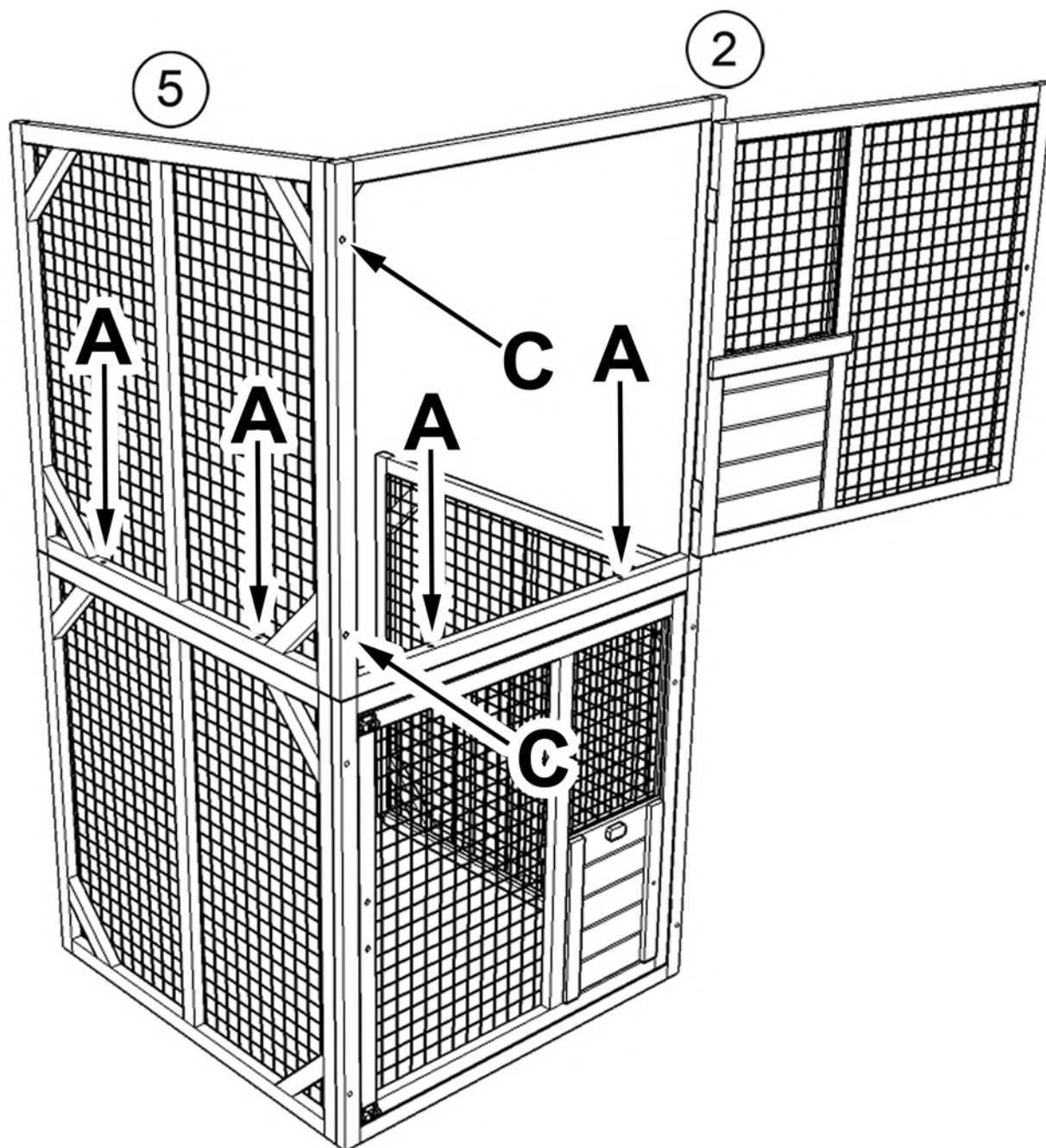


Assembling part #4x2 and part #1 with screws (C)x4 as shown below



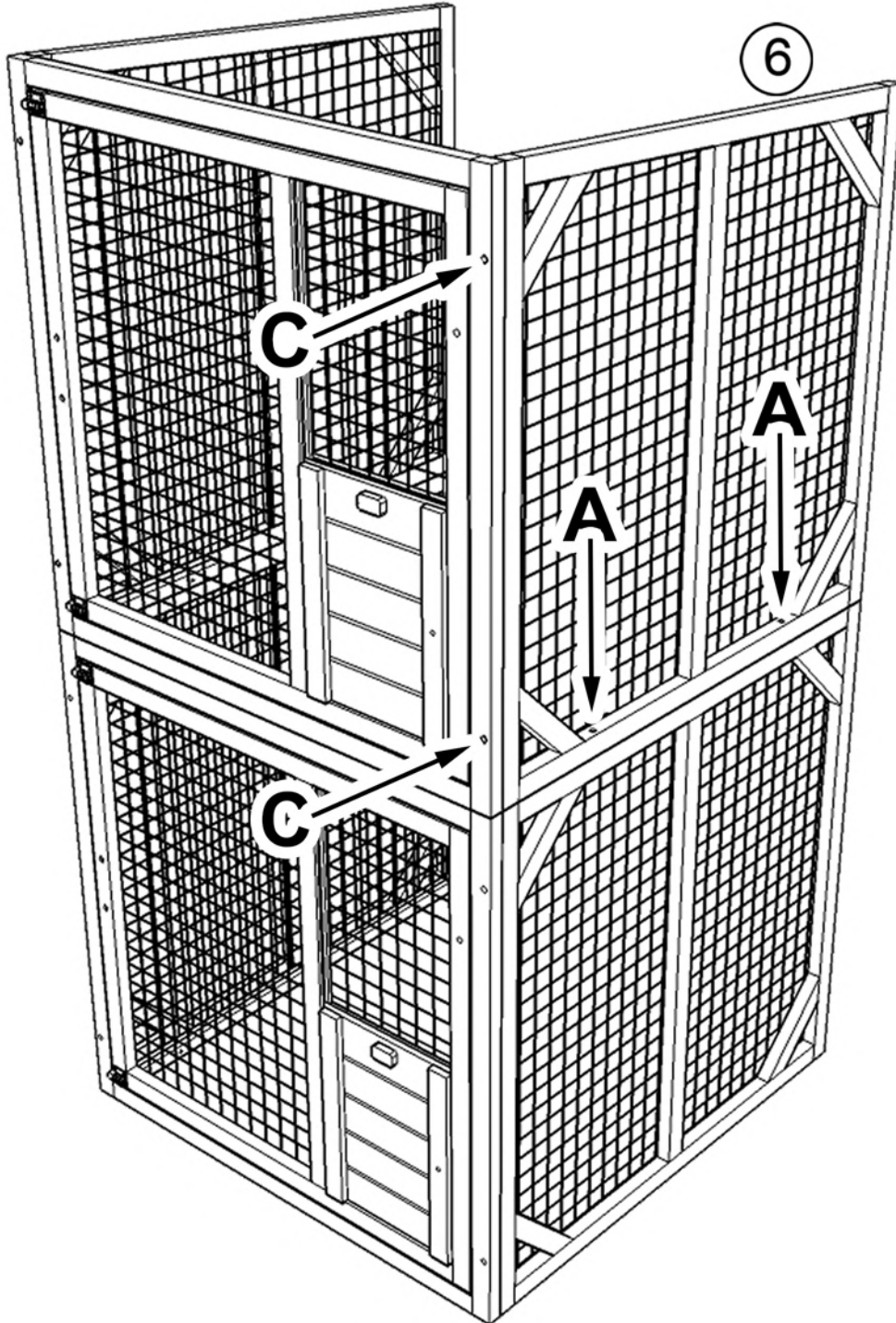
STEP:1

The part #2 (open the door) and part #5 has pre-drilled holes at bottom as shown, assemble part #2 and part #5 with screws (C)x2, then place them on the parts finished in last step and secure them with screws (A)x4 downwards



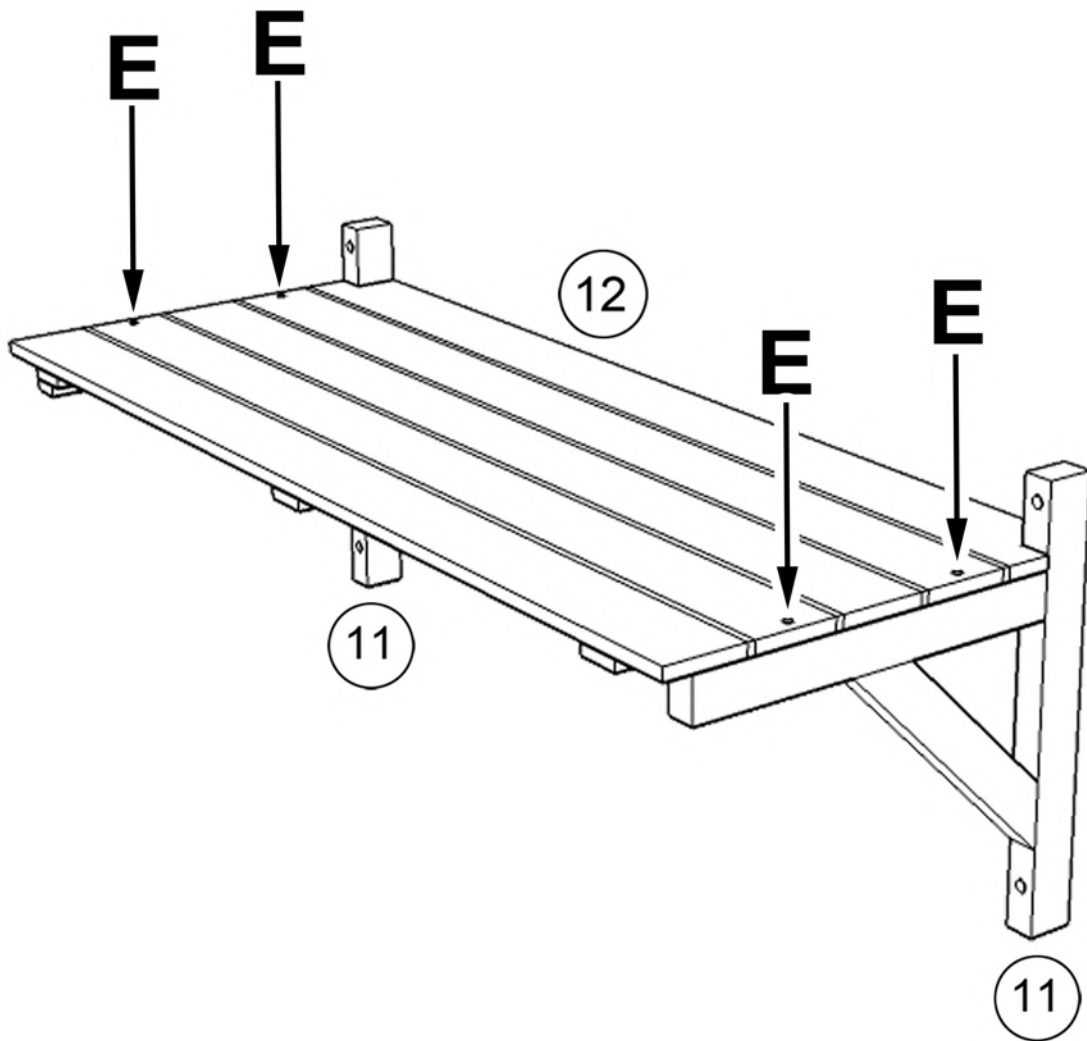
STEP:2

The part #6 has 2 pre-drilled holes at bottom, assembling part #6 with screws (C)x2 as shown and secure it to lower part with screws (A)x2 downwards



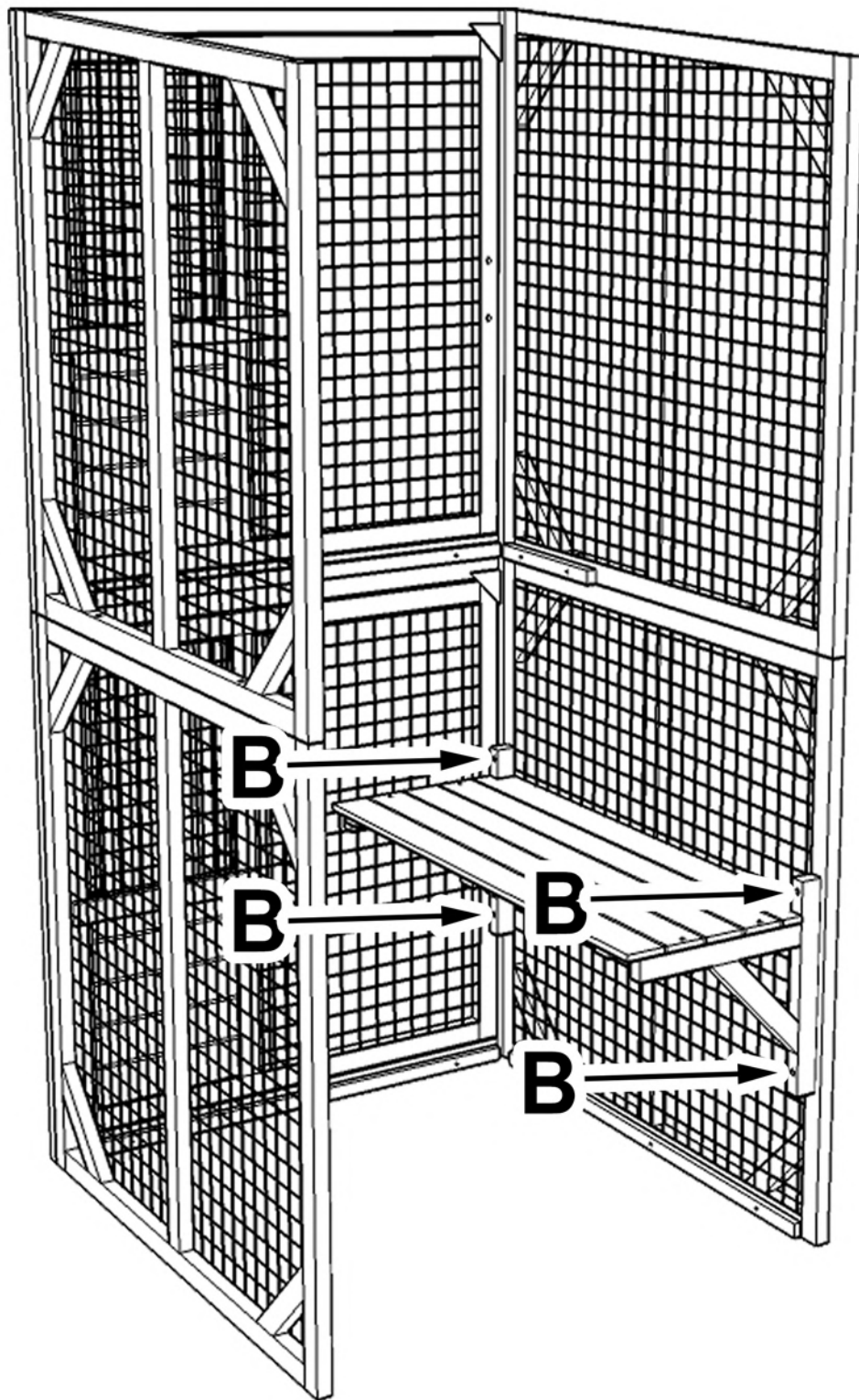
STEP:3

Assembling shelf with part #12 and part #11x2 by screws (E)x4 as shown



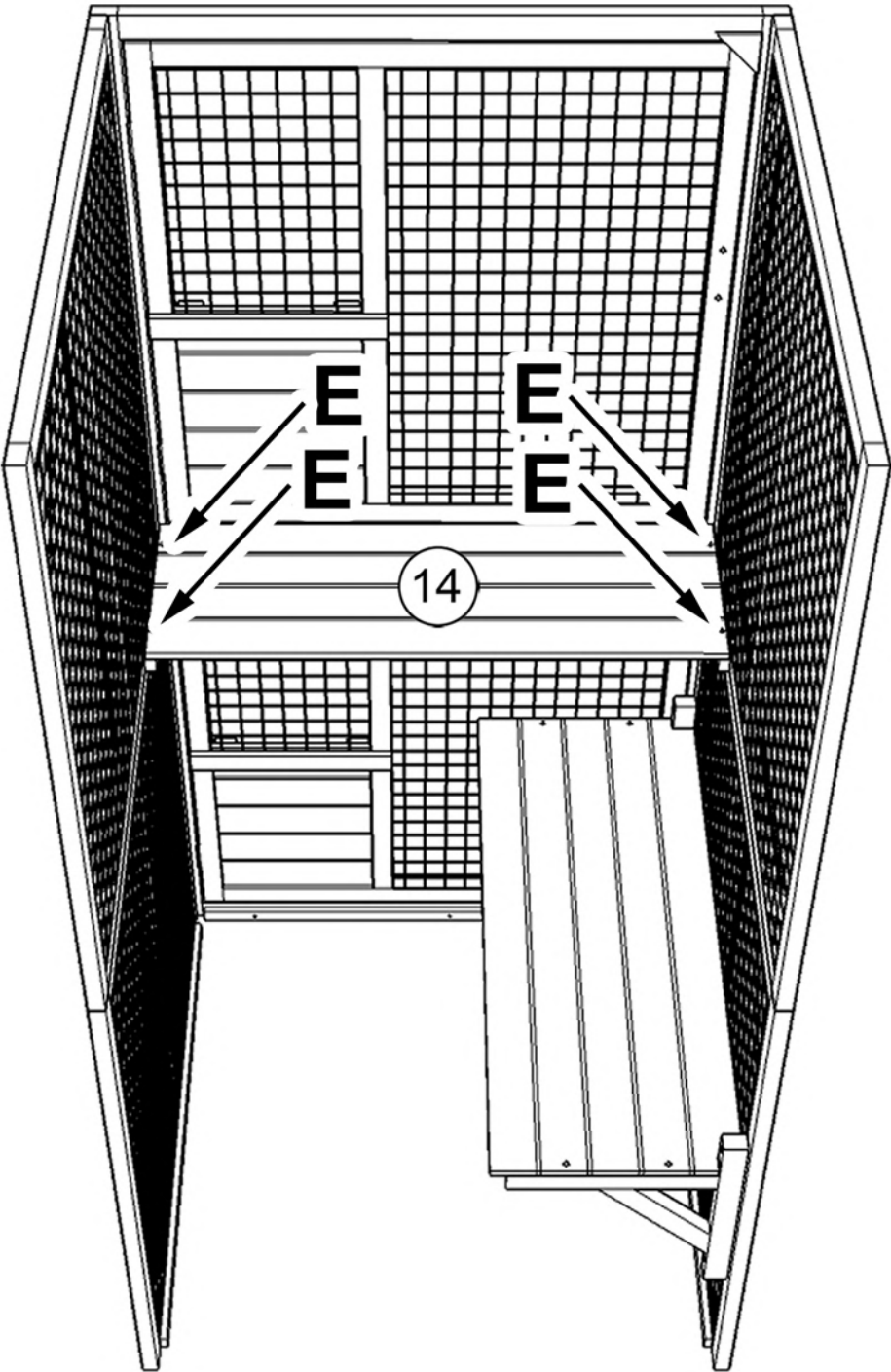
STEP:4

Mounting the shelf on right side as shown by screws (B)x4 at your preferred height



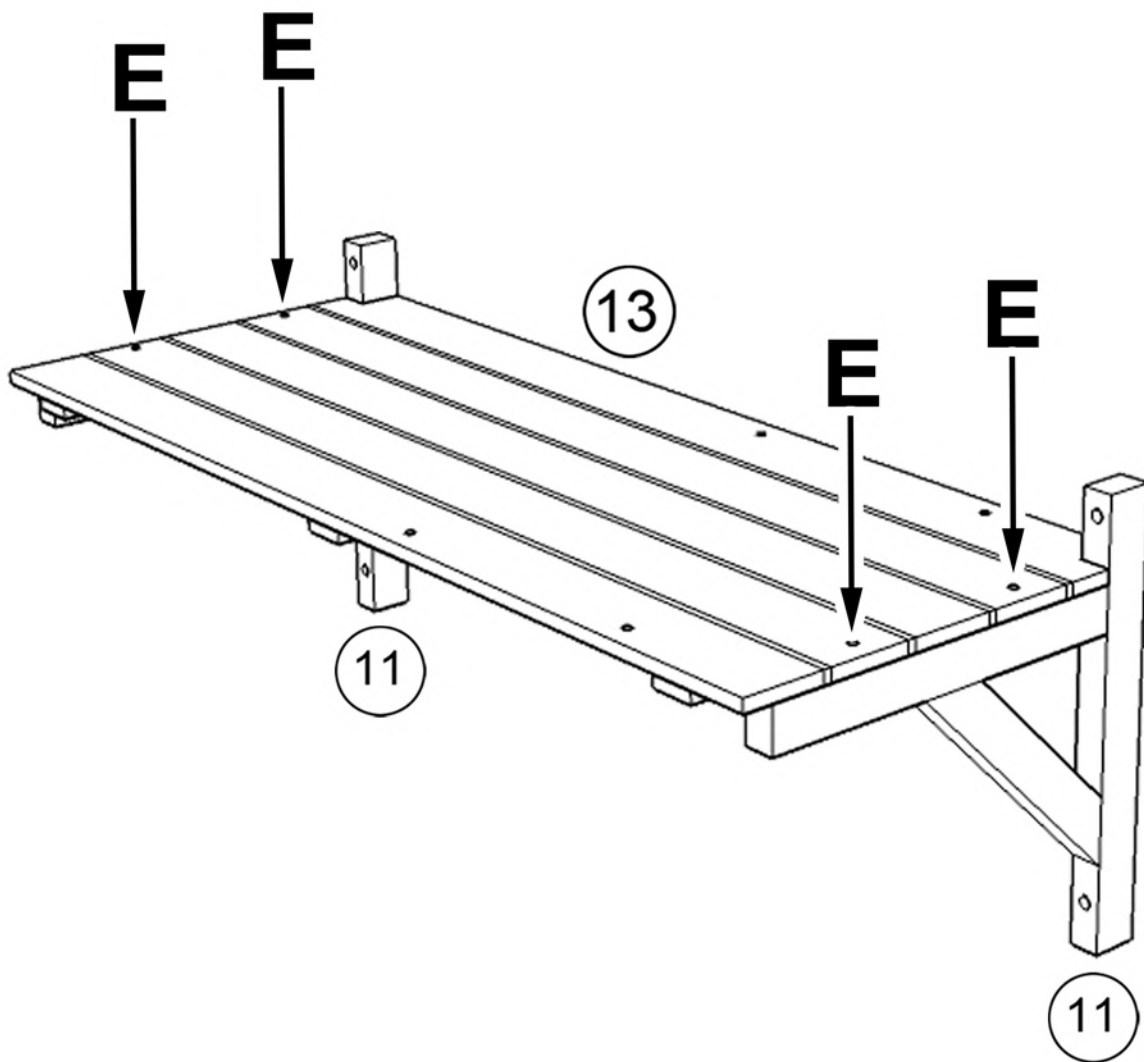
STEP:5

Placing part #14 on the short wood pieces on left and right side and secure it with screw (E)x4



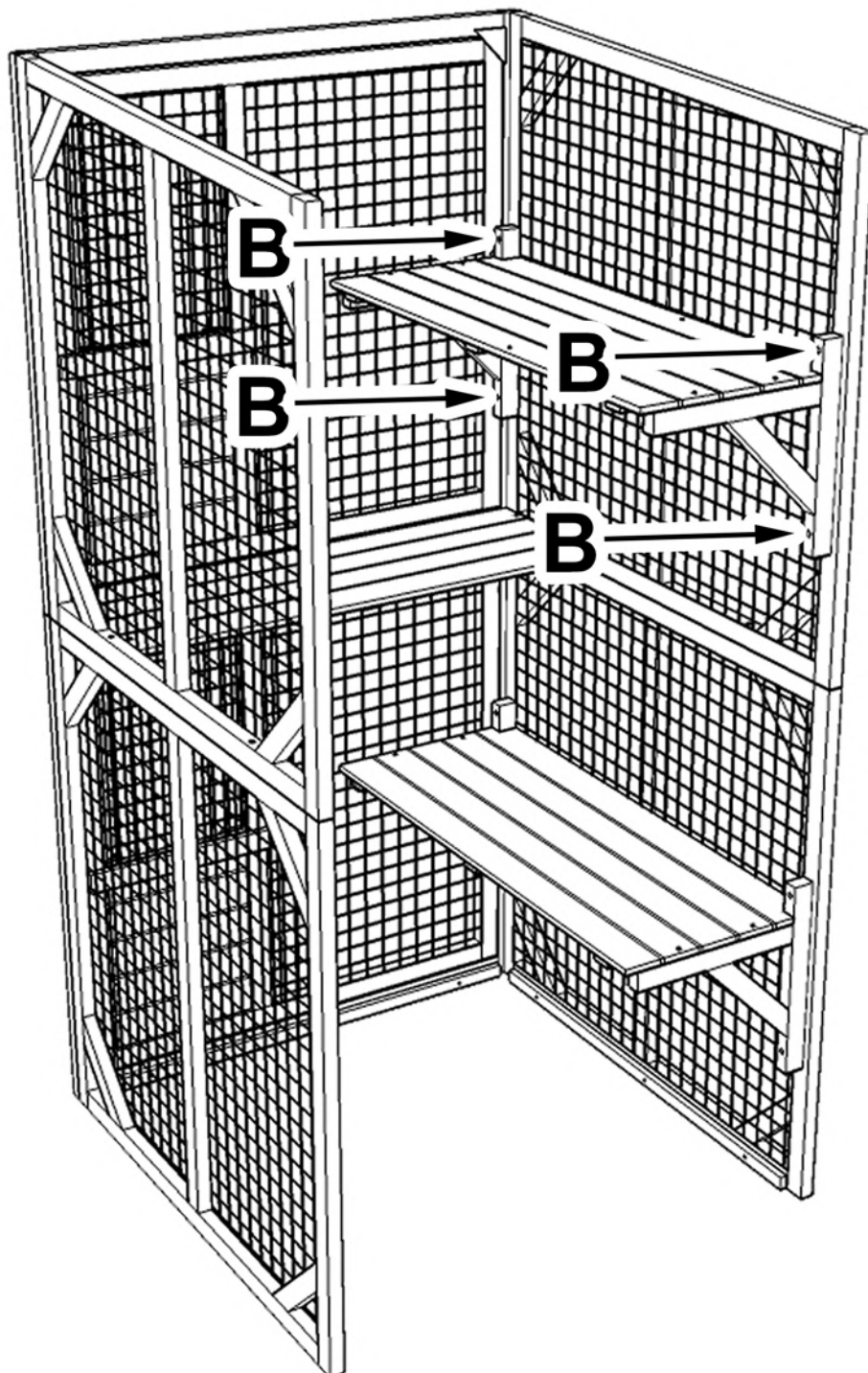
STEP:6

Assembling shelf with part #13 and part #11x2 by screws (E)x4 as shown



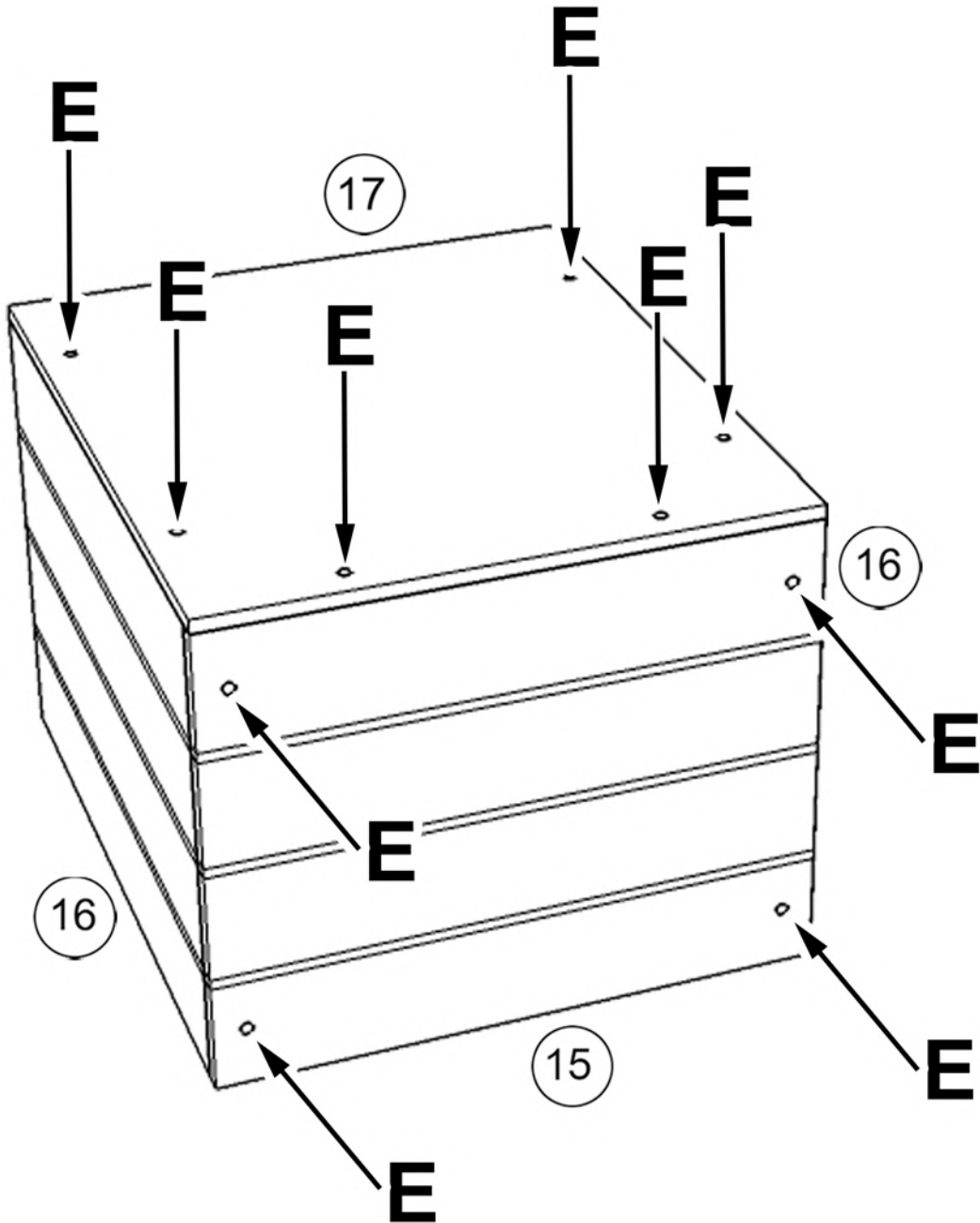
STEP:7

Mounting the shelf to the right side of board as shown with screws (B)x4 at your preferred height



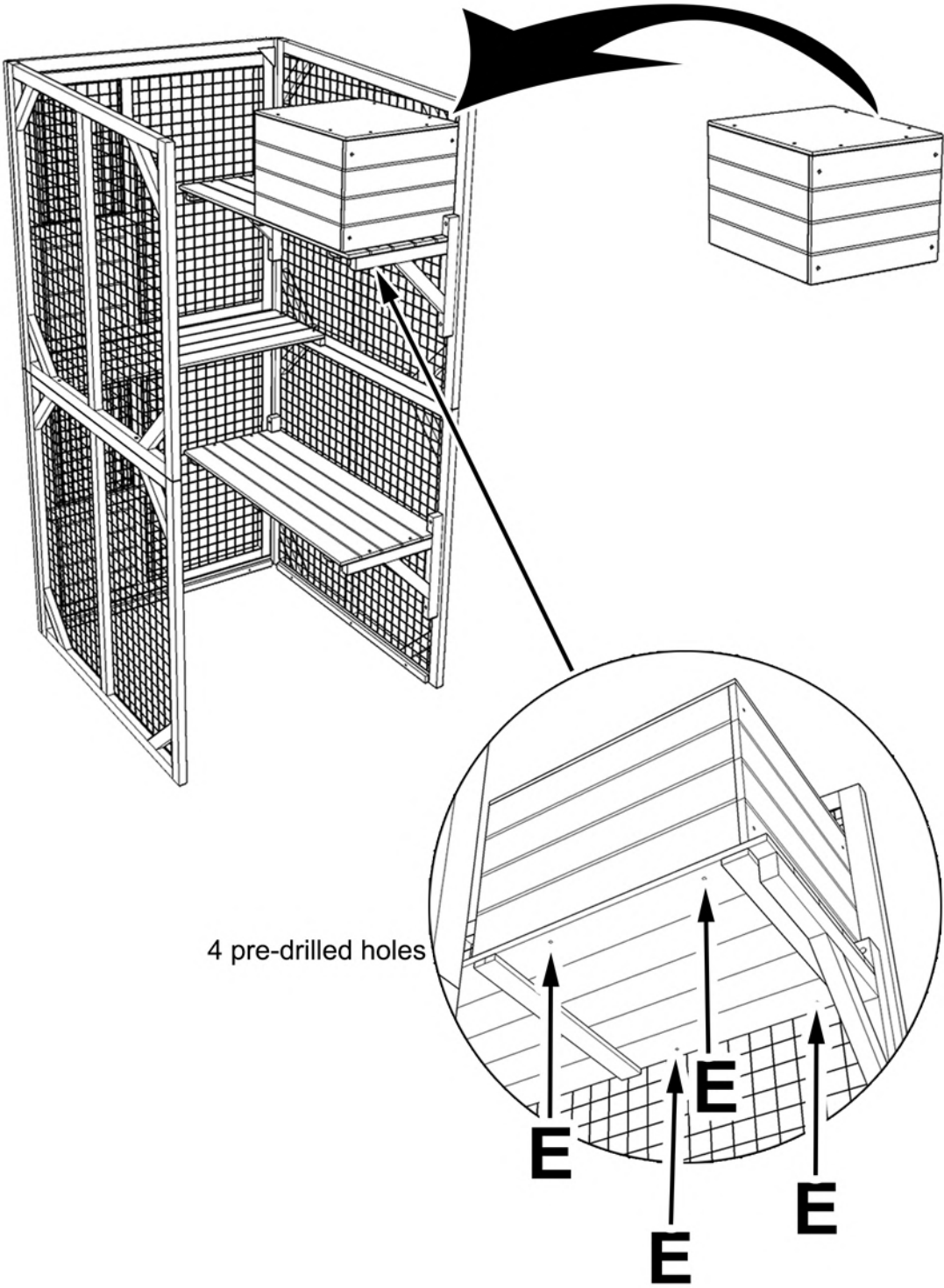
STEP:8

Assembling sleeping box with part #16x2, #17, #15 using screws (E)x10



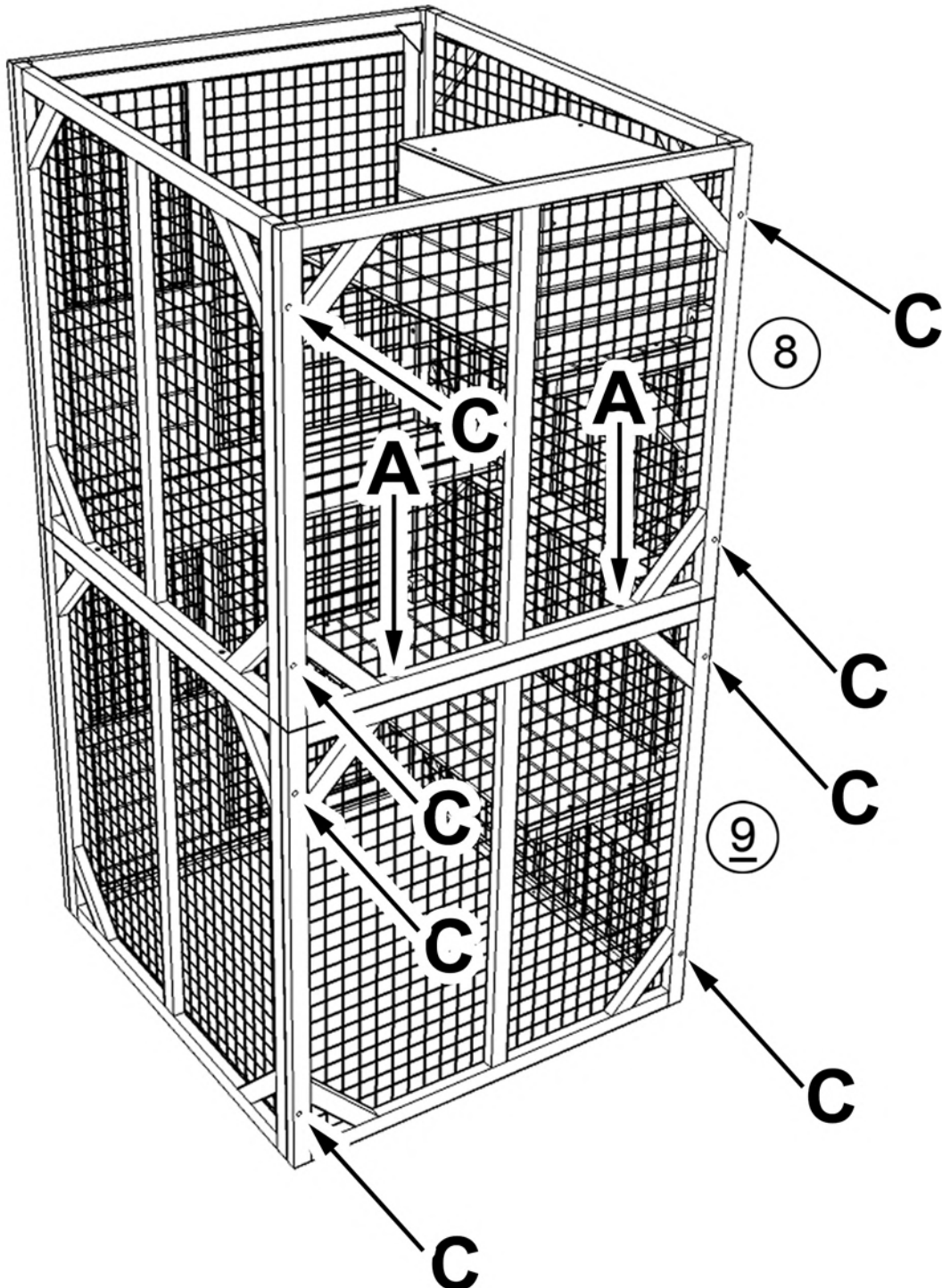
STEP:9

Placing sleeping box on the top of shelf as shown and secure it with screws (E)x4 from the bottom of shelf

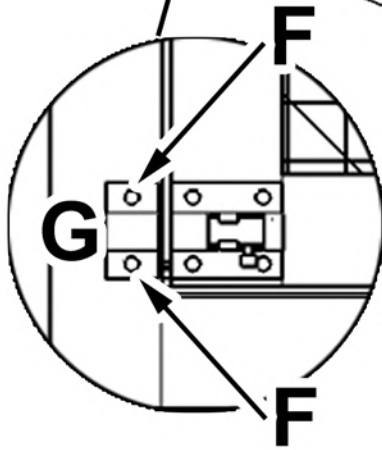
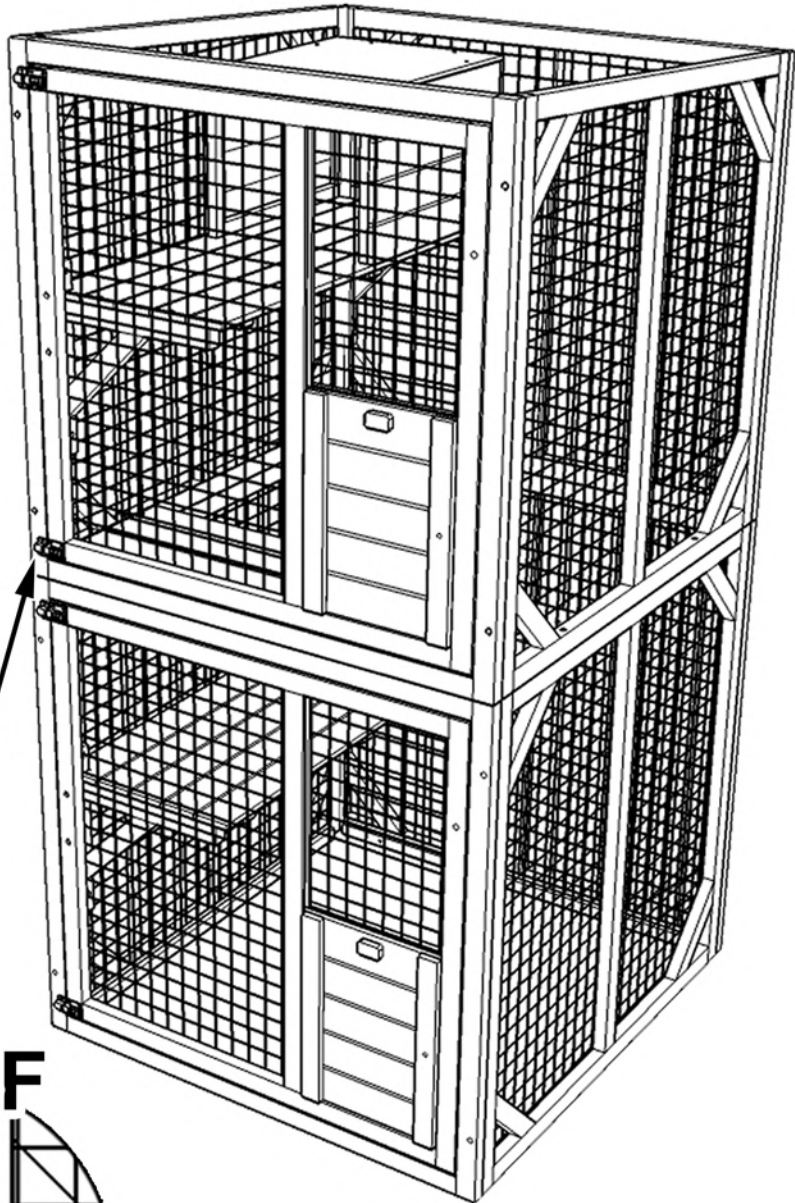


STEP:10

Assembling firstly part #9 (bottom) and then part #8 (2 holes at bottom) with screws (C)x8, then secure the 2 parts by screwing (A)x2 downwards as shown



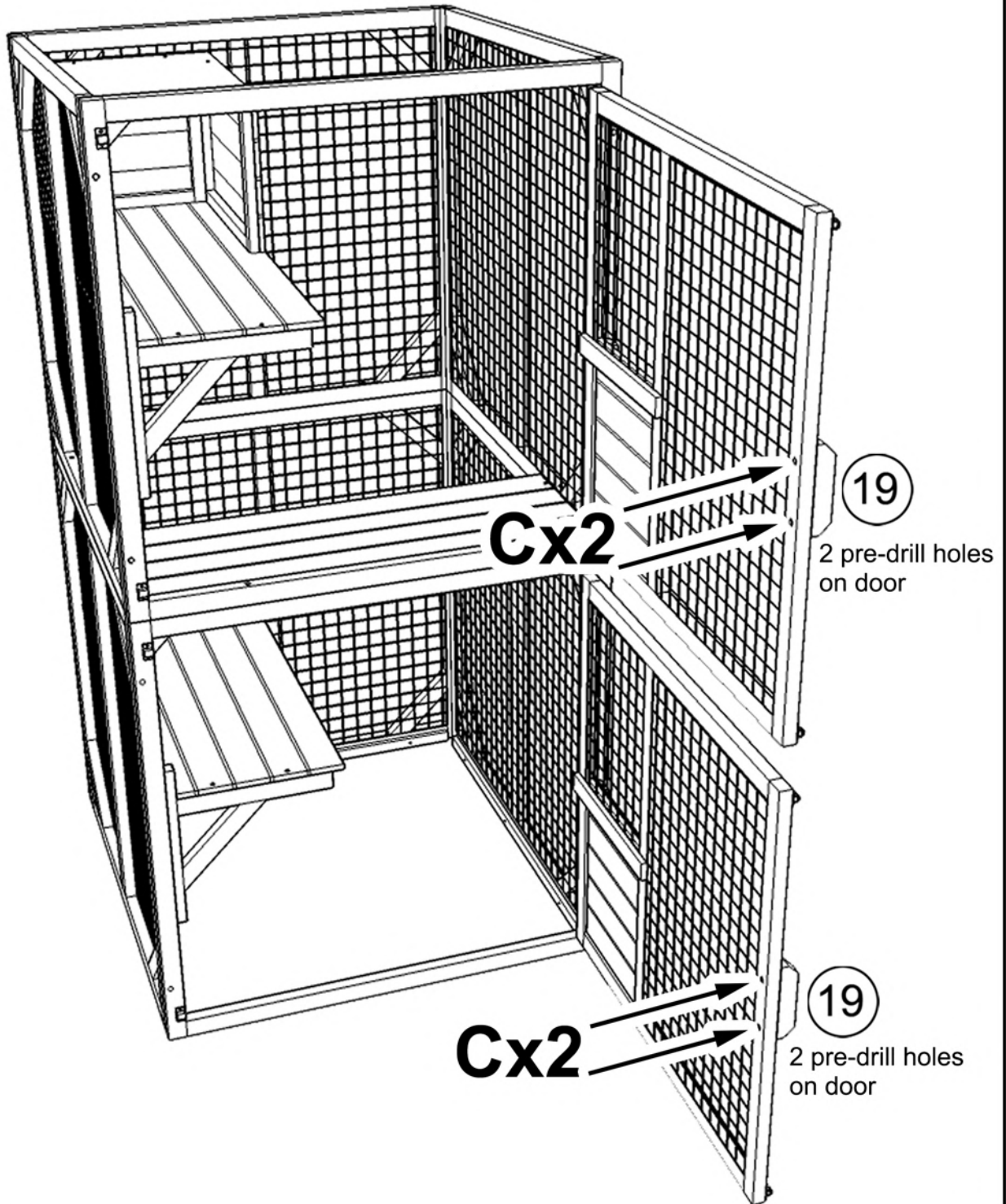
STEP:11



Align the short end of lock part #G with its other part already on door then secure it with screws (F)x2

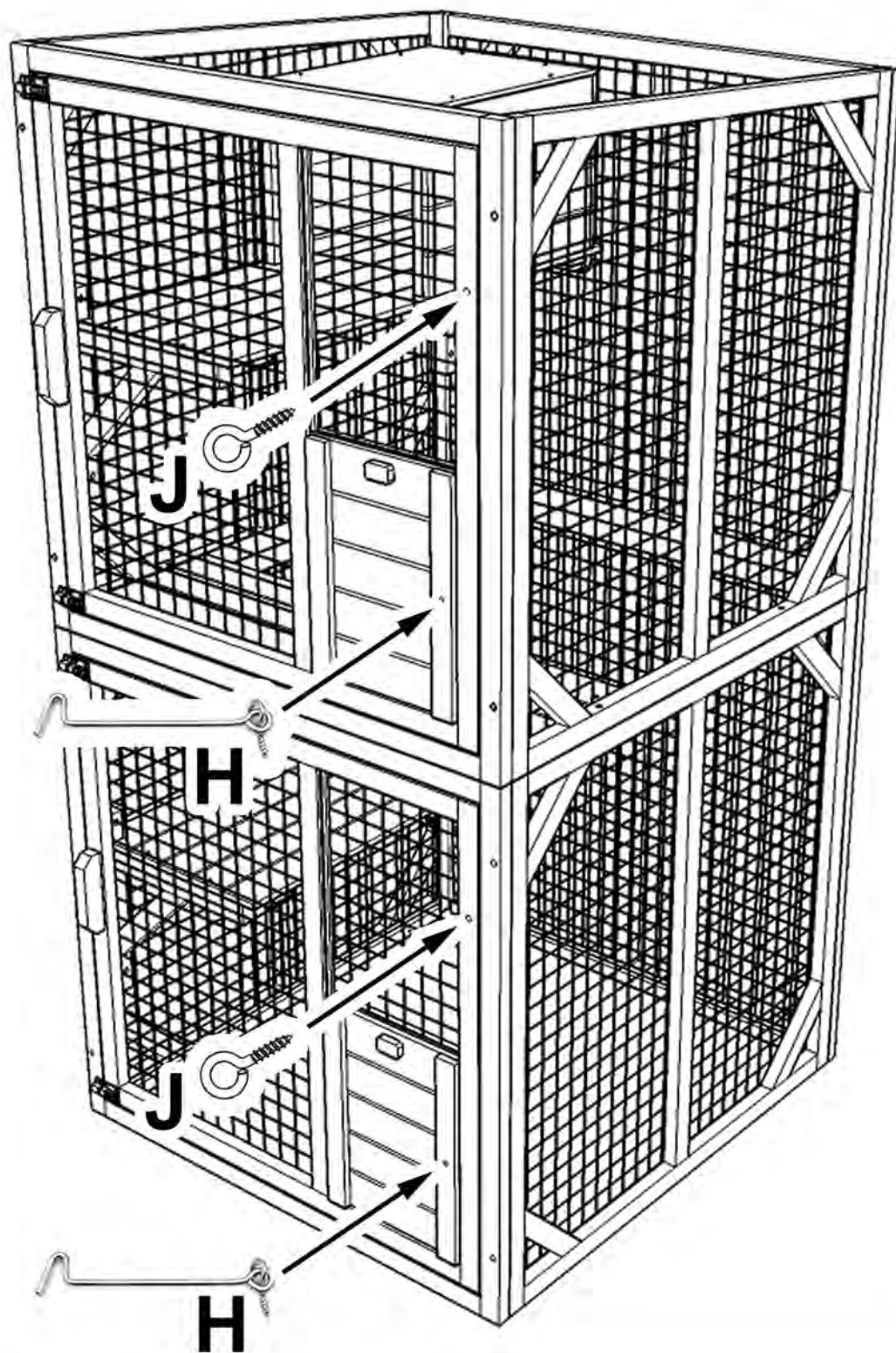
STEP:12

Install handles parts #19x2 on doors with screws (C)x4 as shown



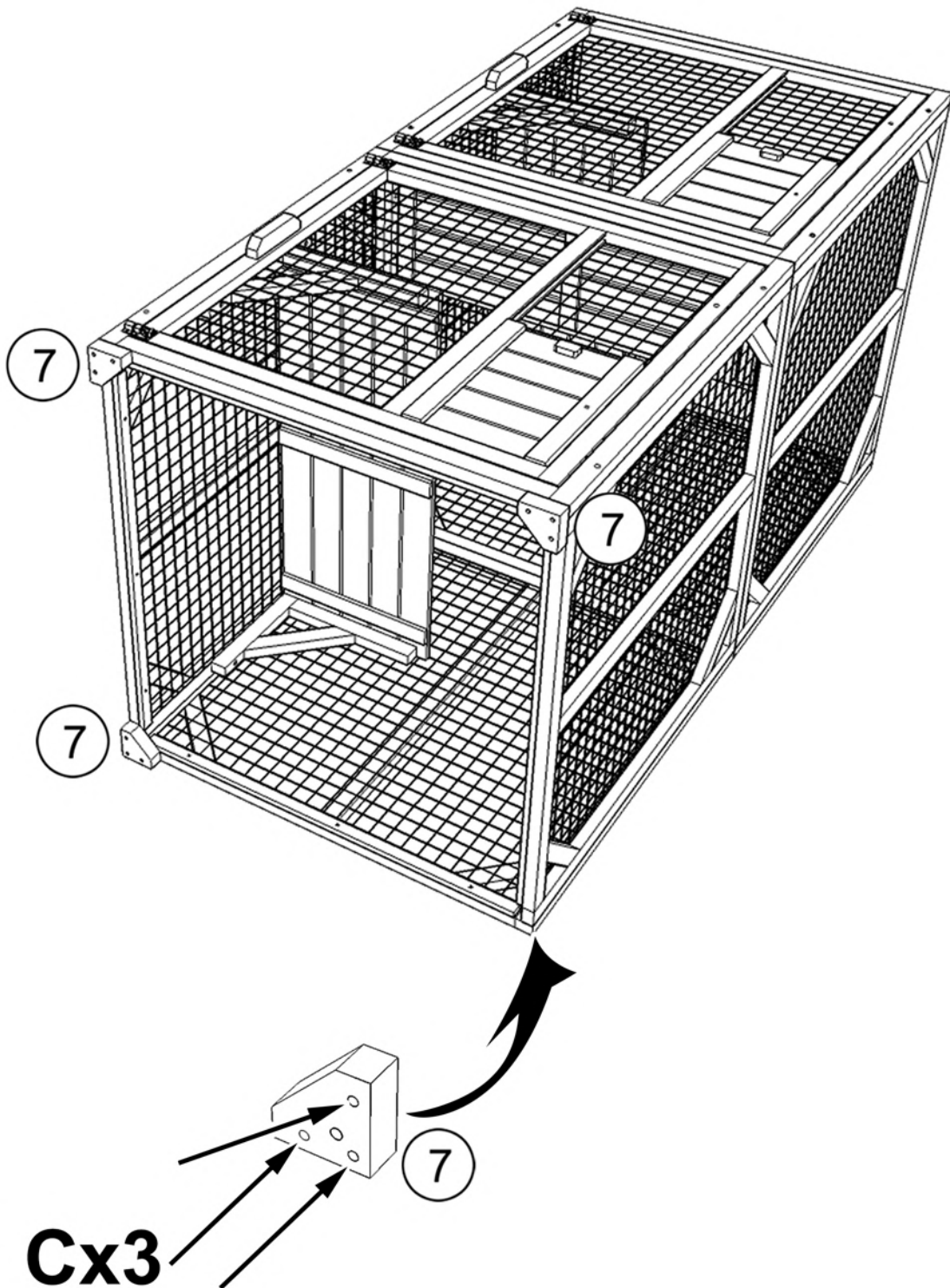
STEP:13

Install hooks as shown, long part is on the sliding door, short part is on the frame wood

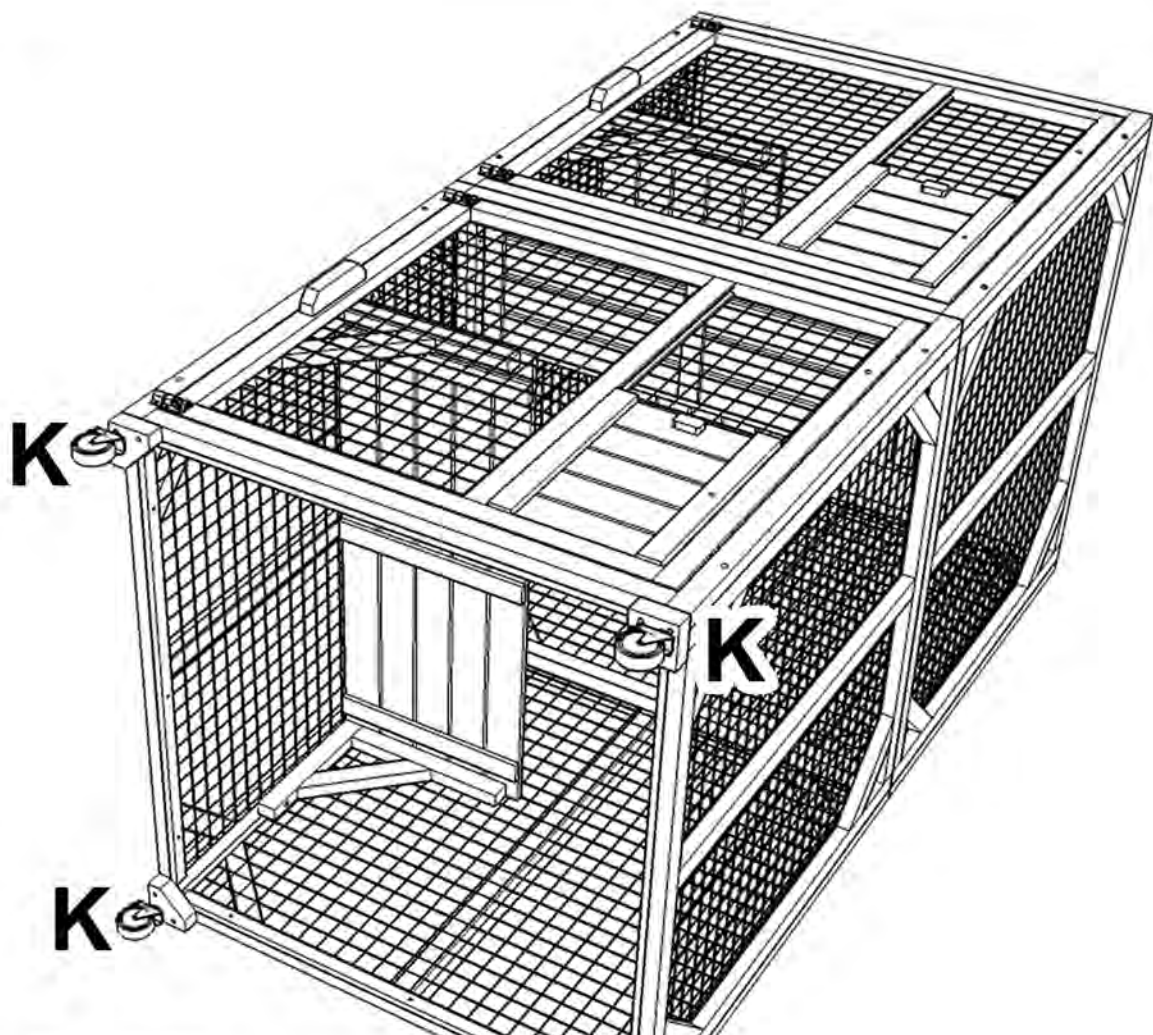


STEP:14

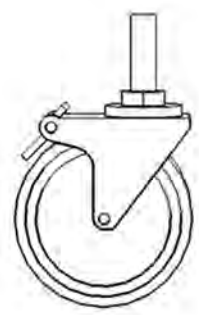
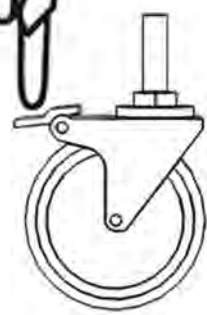
Gently let down the product, install part #7x4 as shown by screws (C)x12



STEP:15



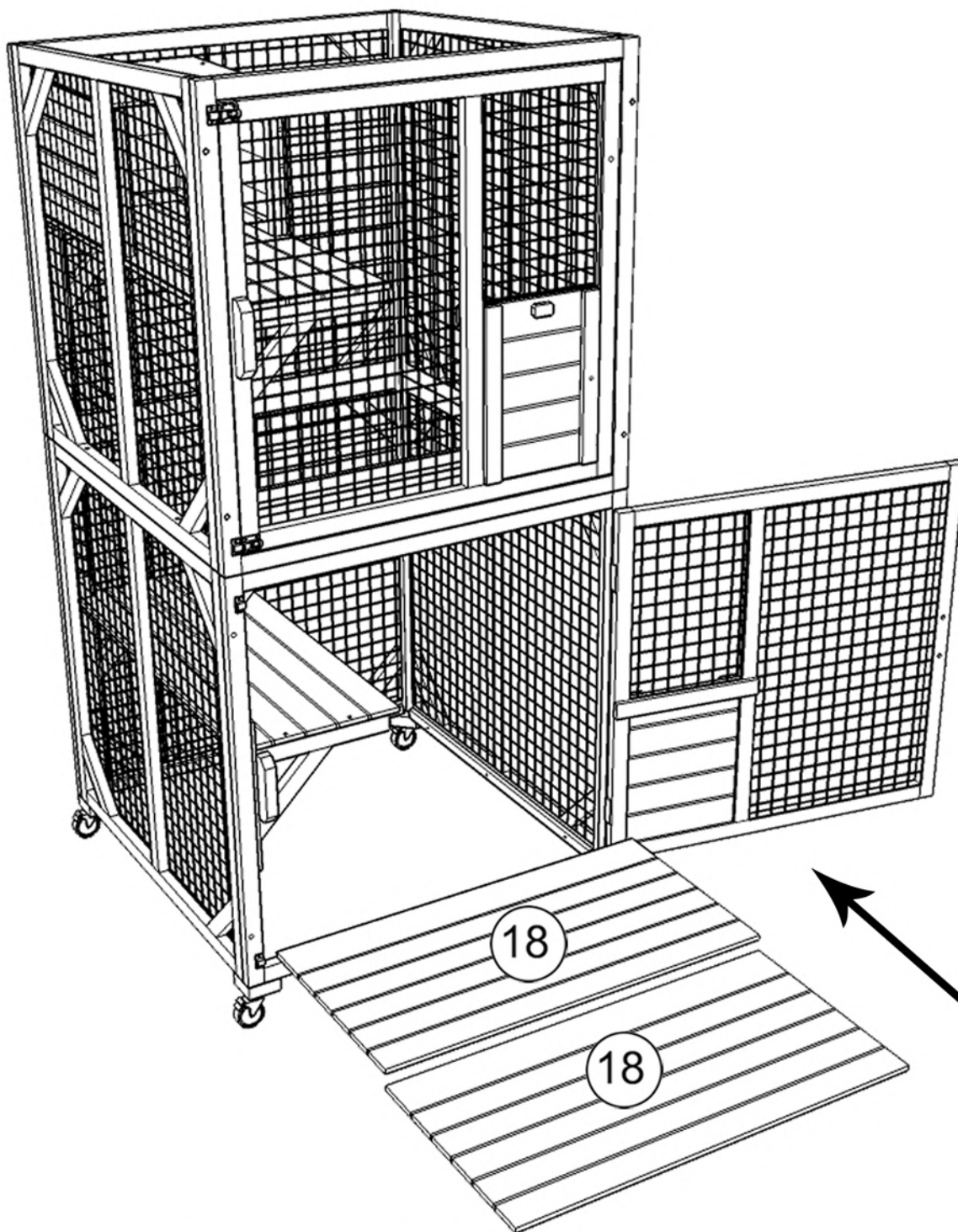
PRESS



K

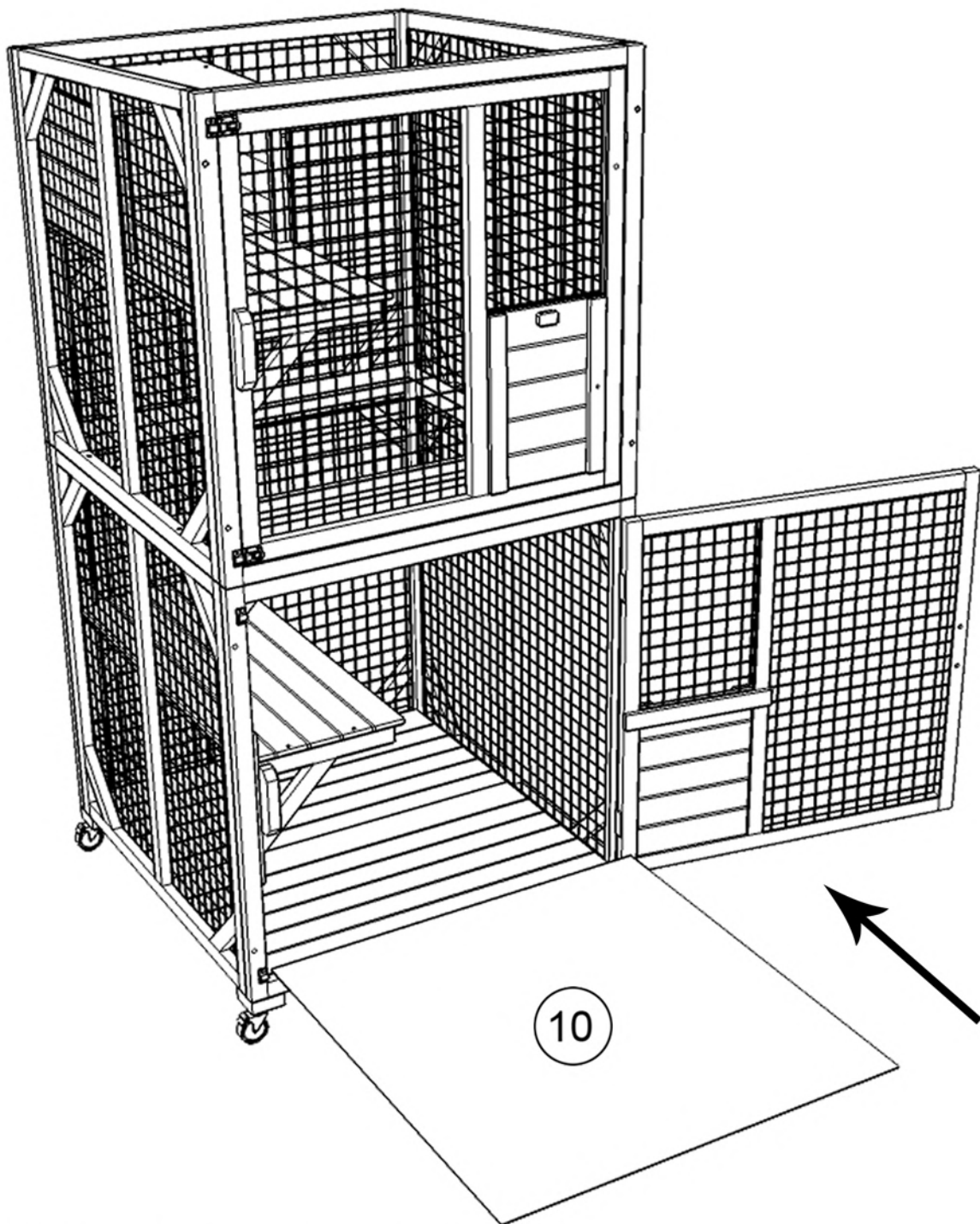
Install the wheels and tighten them clockwise

STEP: 16



Put in the bottom floors part #18x2 as shown

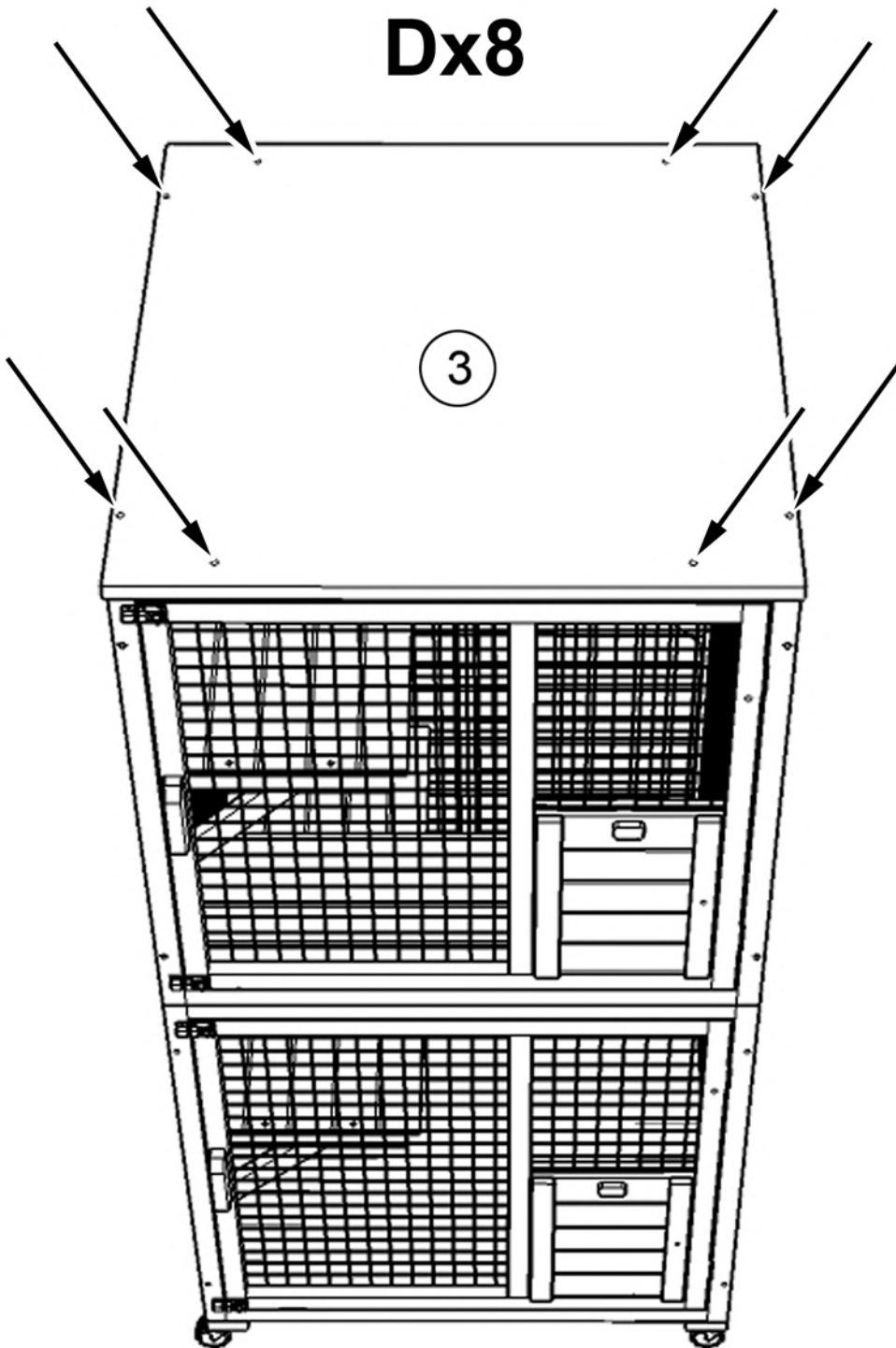
STEP:17



Put in the plastic liner on the bottom floor as shown

STEP:18

Install the felted roof part #3 with screws (D)x8



STEP:19