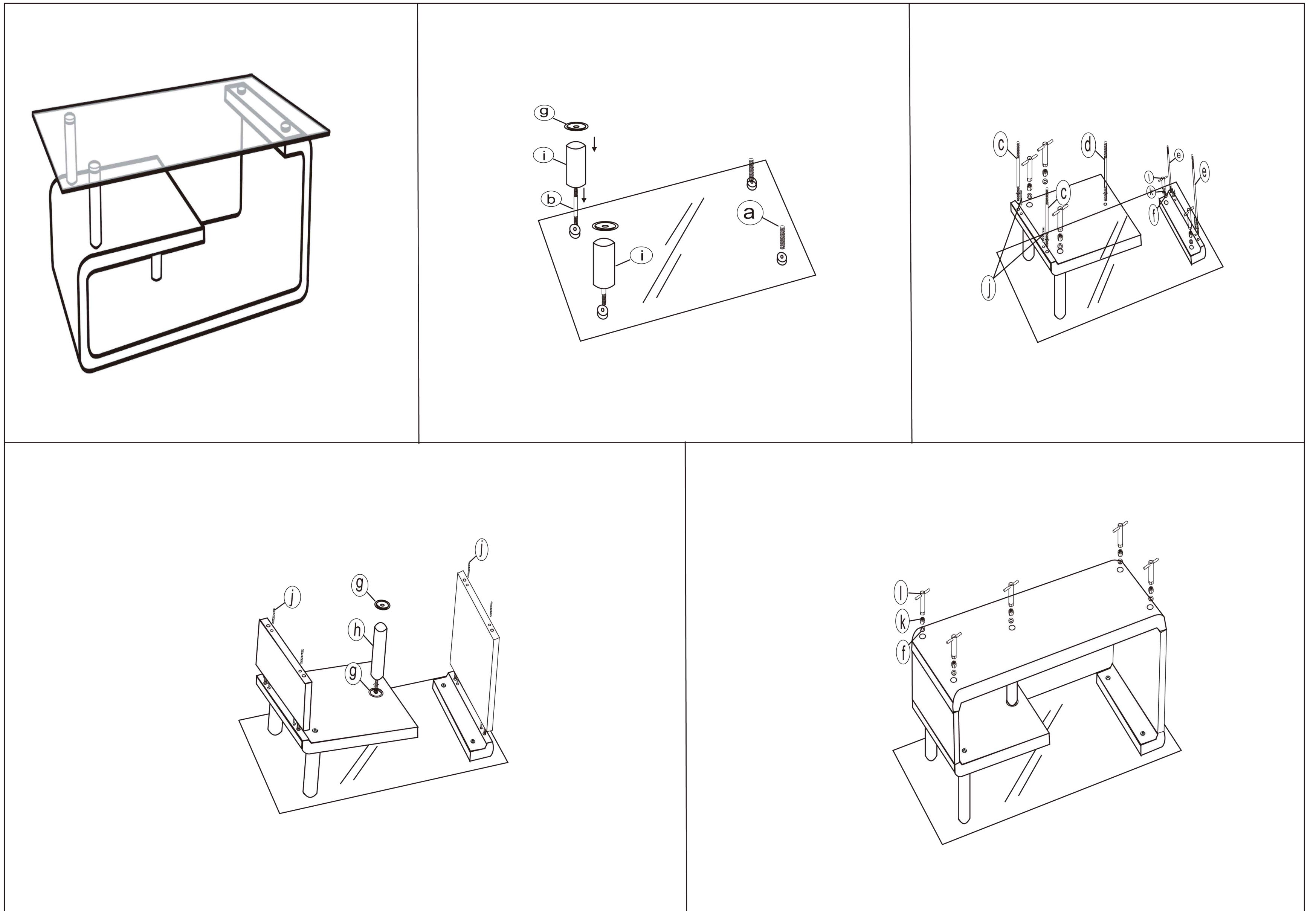

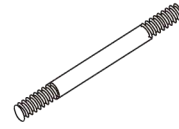
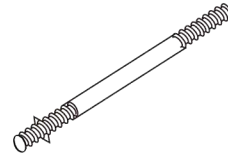
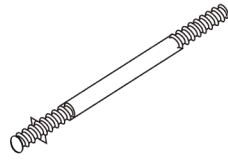
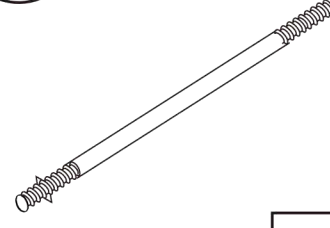






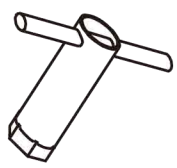


# Installation & Assembly



<b>a</b>  M8*45mm 2	<b>b</b>  M8*185mm 2	<b>c</b>  M8*340mm 2	<b>d</b>  M8*370mm 1	<b>e</b>  M8*485mm 2	<b>f</b>  M8 2mm 9
<b>g</b>  38φ 4	<b>h</b>  38φ*307mm 1	<b>i</b>  38φ*145mm 2	<b>j</b>  M8*40mm 8	<b>k</b>  M8 9	<b>l</b>  M8 1