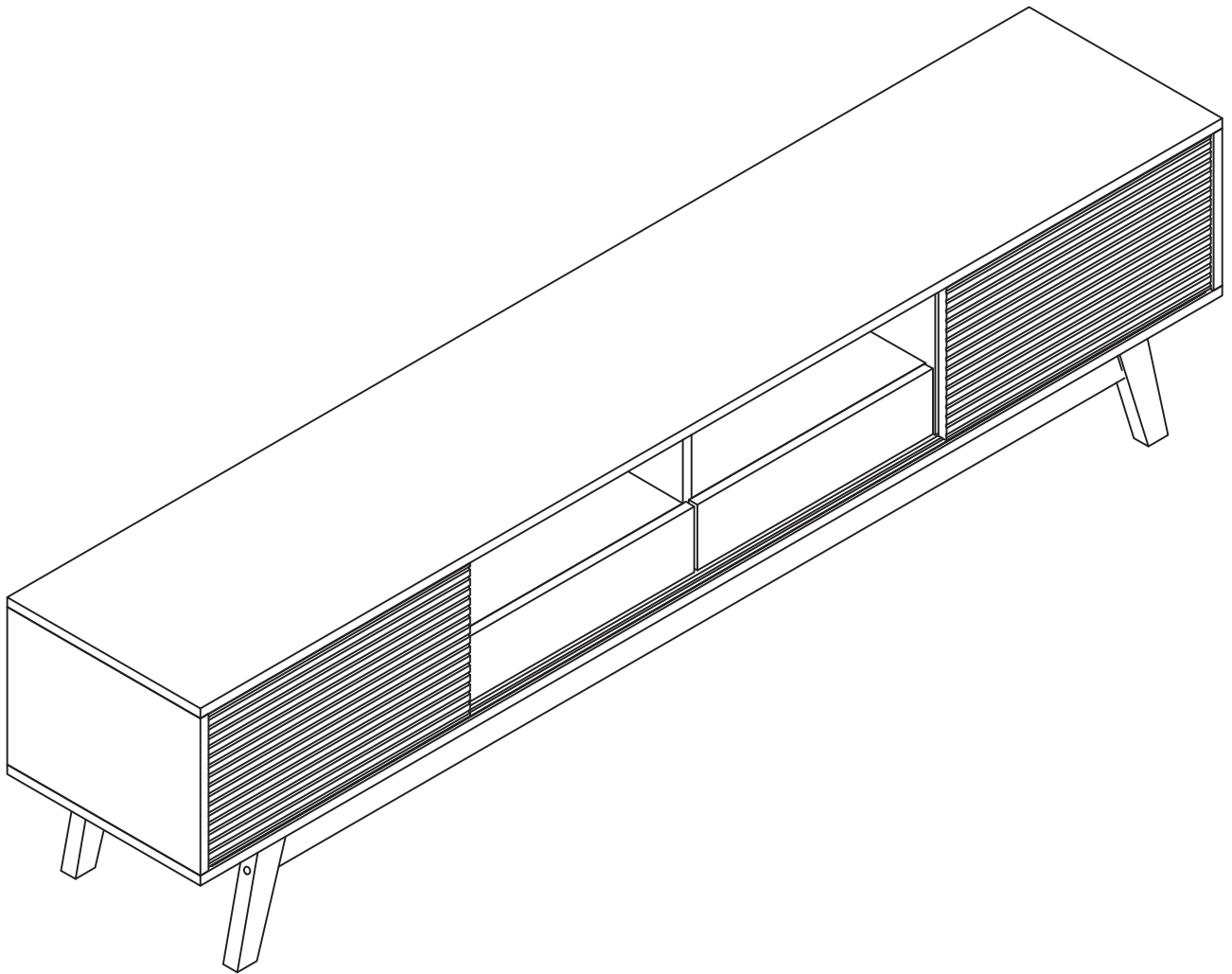
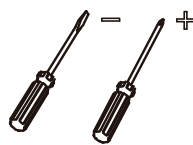


INSTALLATION & ASSEMBLY



2 person

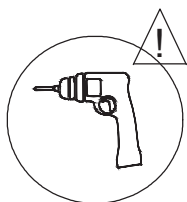


tools require



2 hours need

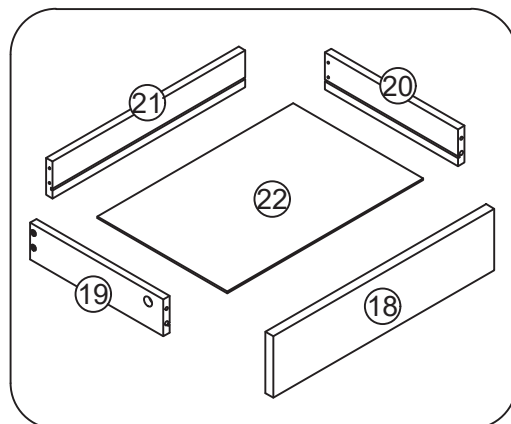
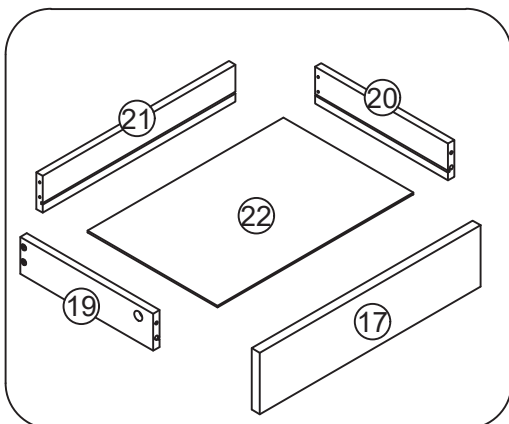
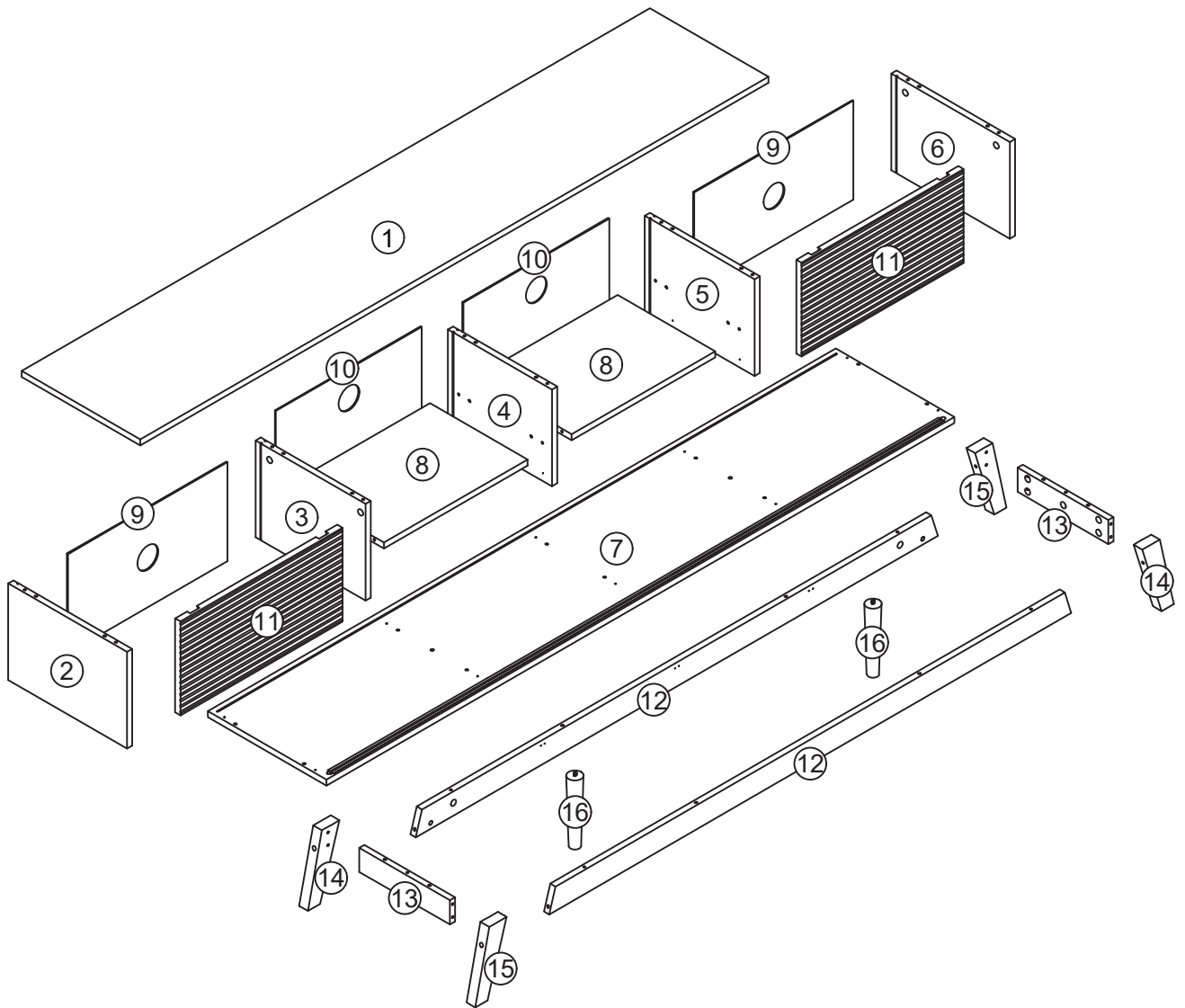
CAUTION:When tightening the screws,tighten sequentially.Do not tighten any screws fully and then towards the next one.When every part is OK, then tighten all the screws.



PLEASE BE CAREFUL DO NOT DAMAGE THE HOLE POSITION WHEN YOU USE POWER TOOLS !

If there are any missing parts, please contact us and we will send you the corresponding replacement part. We also offer an exclusive one-month service where we provide product replacements without the need for repairs, as long as the damage is not caused by human error.

EXPLODED DRAWING:

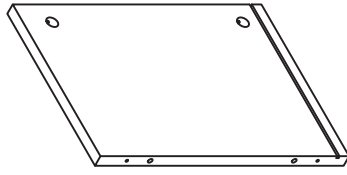


PARTS:

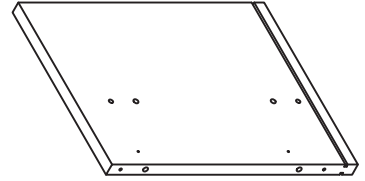
① x1



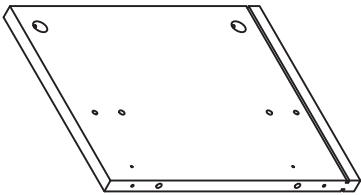
② x1



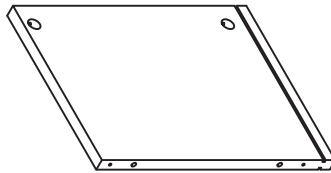
③ x1



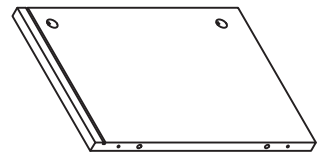
④ x1



⑤ x1



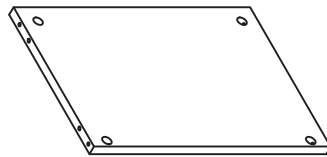
⑥ x1



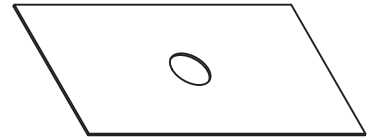
⑦ x1



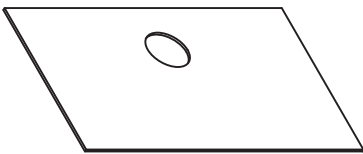
⑧ x2



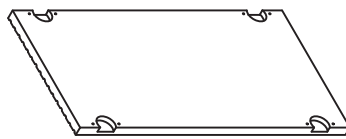
⑨ x2



⑩ x2



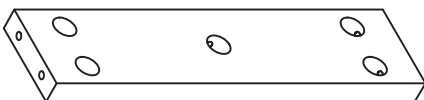
⑪ x2



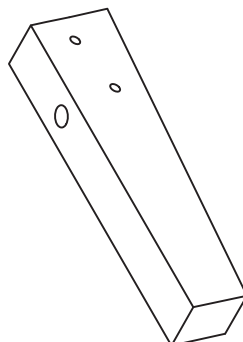
⑫ x2



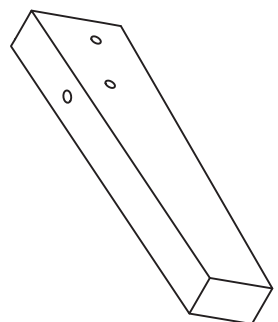
⑬ x2



⑭ x2



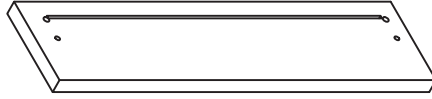
⑮ x2



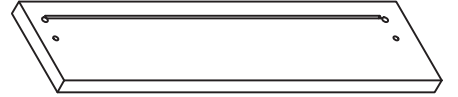
①⑥ x2



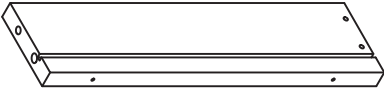
①⑦ x1



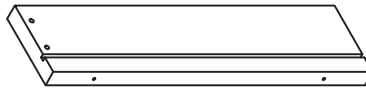
①⑧ x1



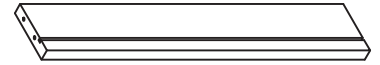
①⑨ x2



②⑩ x2



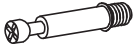







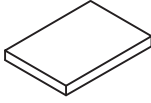

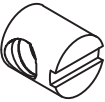
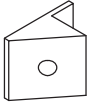

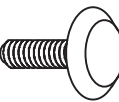






②① x2



②② x2

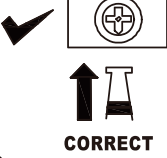



ACCESSORY LIST

| | | | | |
|--|--|--|--|---|
| <p>Ax36(+3)</p>  <p>Ø6x35mm</p> | <p>Bx36(+3)</p>  <p>Ø15x10mm</p> | <p>Cx36(+3)</p>  <p>Ø6x30mm</p> | <p>Dx18(+1)</p>  <p>Ø4x35mm</p> | <p>Ex4</p>  |
| <p>Fx4</p>  | <p>Gx56(+5)</p>  <p>Ø3.5x12mm</p> | <p>Hx6</p>  | <p>Ix4</p>  | <p>Jx4</p>  <p>Ø6x60mm</p> |
| <p>Kx4</p>  | <p>Lx16(+1)</p>  | <p>Mx16(+1)</p>  <p>Ø3x16mm</p> | <p>Nx2</p>  | <p>Ox2</p>  <p>Ø6x50mm</p> |
| <p>Px1</p>  <p>M4</p> | <p>CLx2</p>  <p>L250mm</p> | <p>CRx2</p>  <p>L250mm</p> | <p>DLx2</p>  <p>L250mm</p> | <p>DRx2</p>  <p>L250mm</p> |

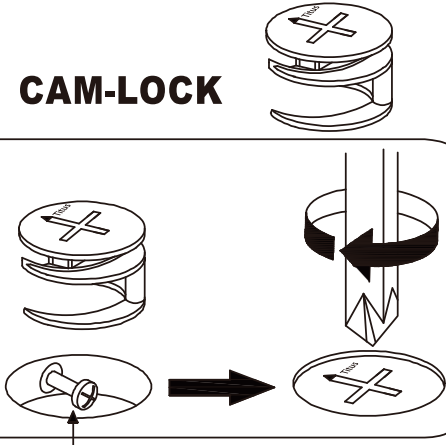
SPECIAL TIPS FOR FITTING CAM-LOCKS AND QUICKFIT

WHEN FITTING CAMLOCK ENSURE STARTING POSITION IS CORRECT BEFORE YOU INSERT CONNECTING QUICKFIT TURN CLOCKWISE UNTIL SECURE

CORRECT **WRONG**

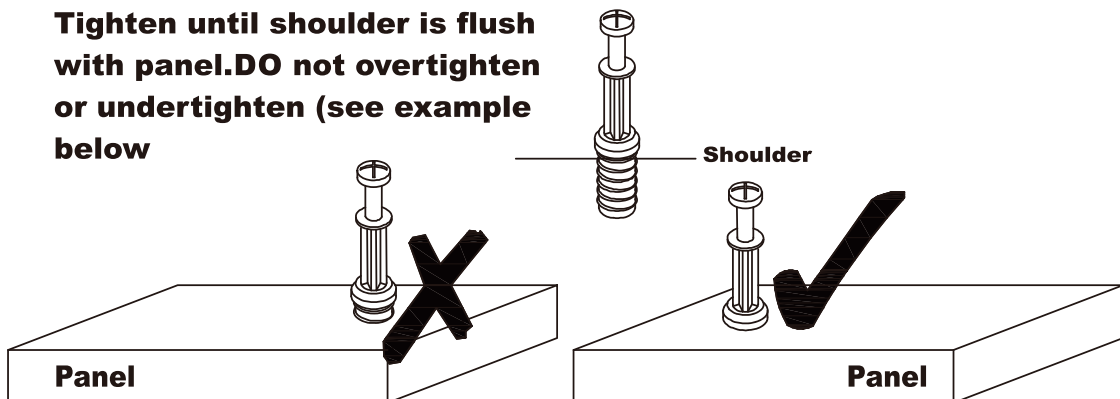
CAM-LOCK



Quickfit head needs to be in centre

QUICKFIT

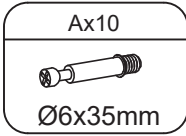
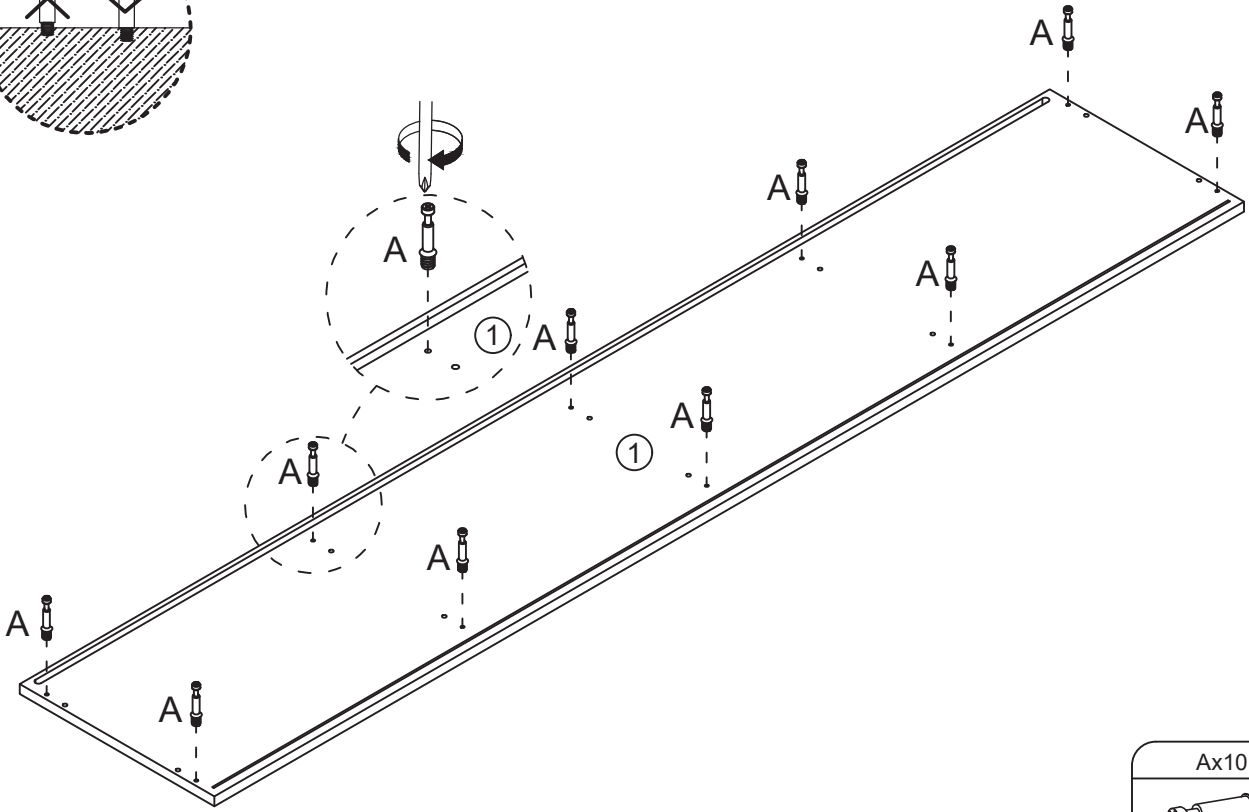
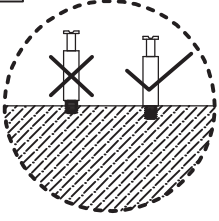
Tighten until shoulder is flush with panel. DO not overtighten or undertighten (see example below)



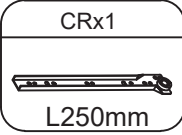
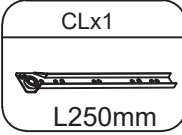
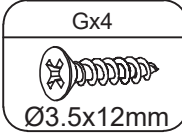
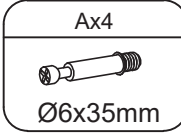
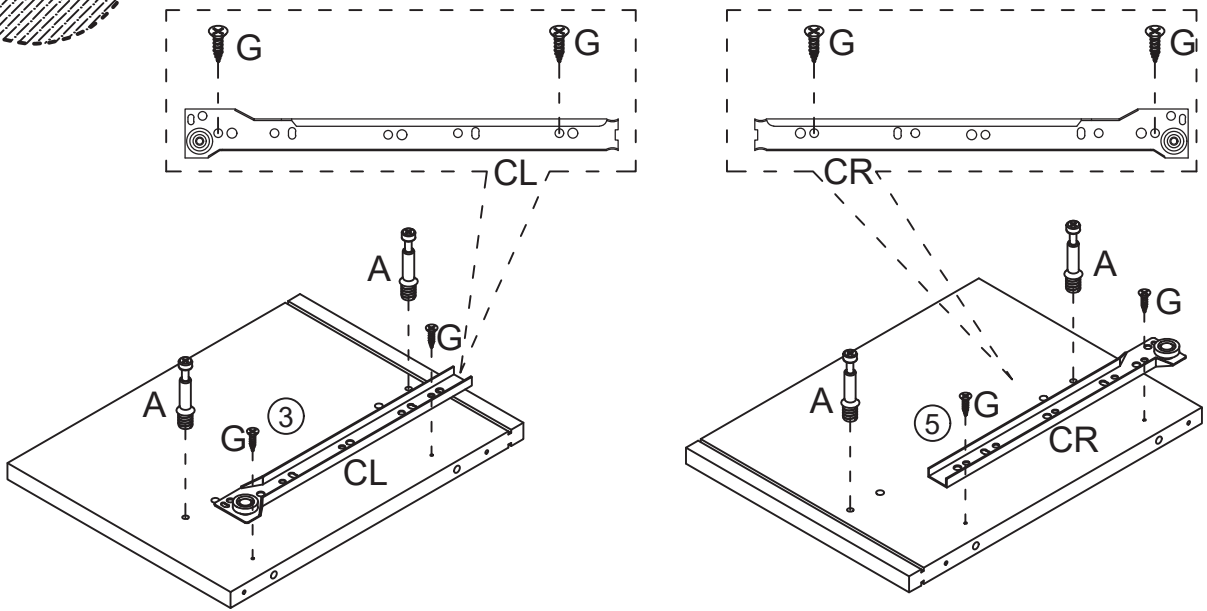
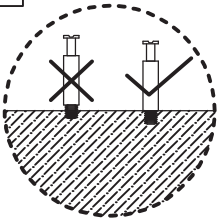
Panel **Panel**

Shoulder

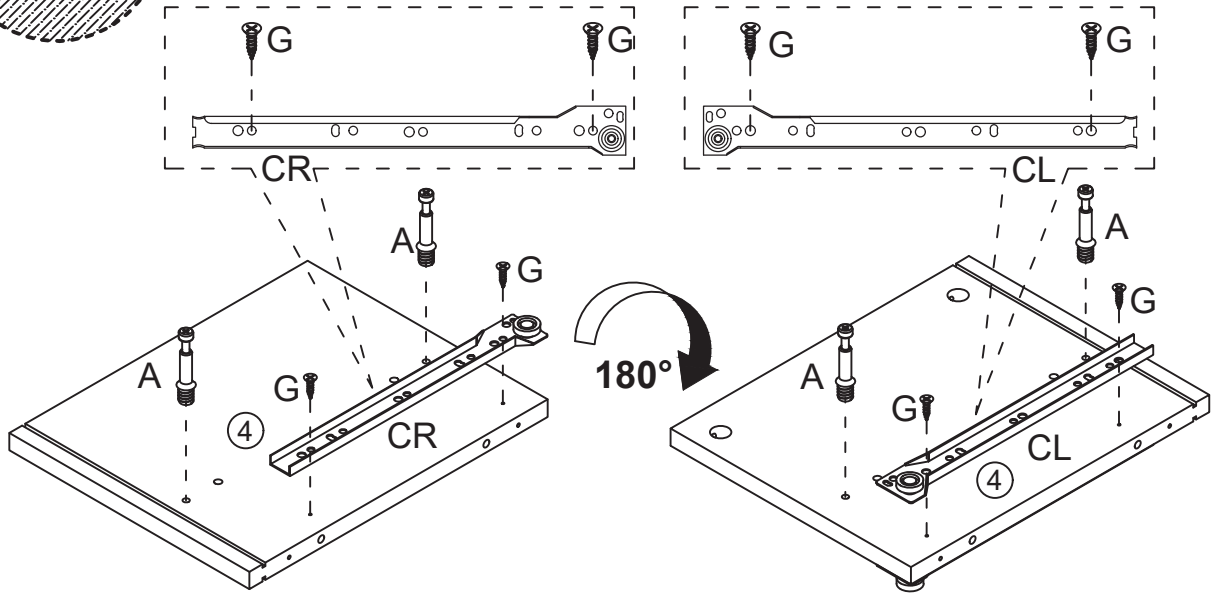
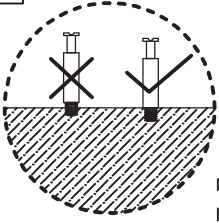
1

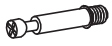





2

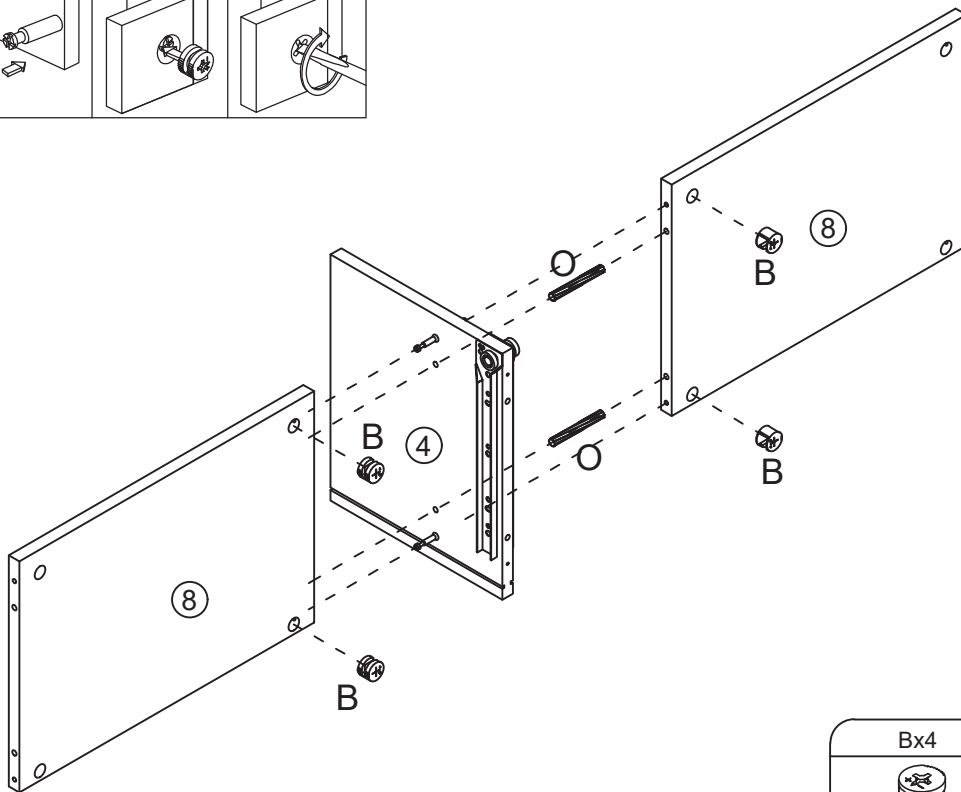
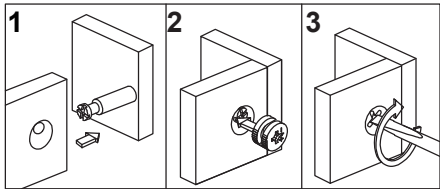




3



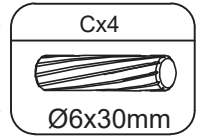
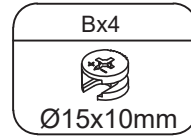
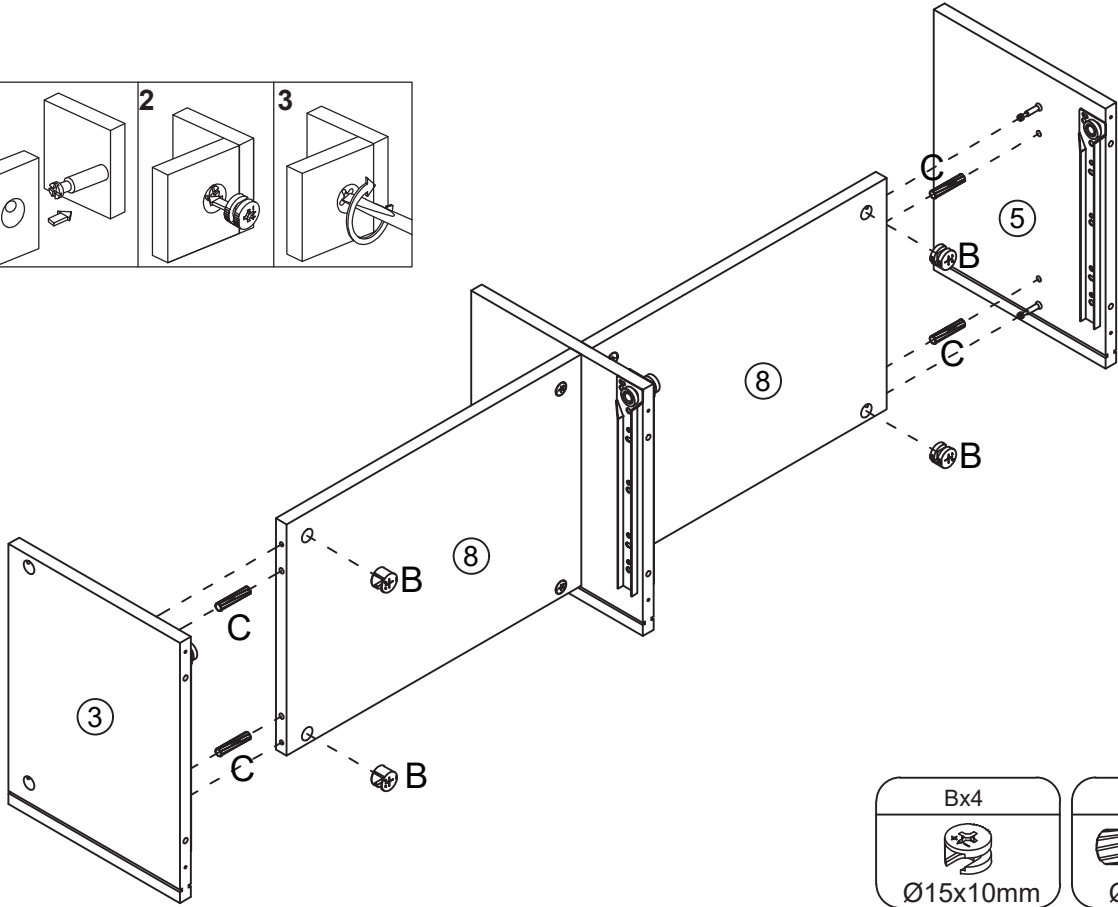
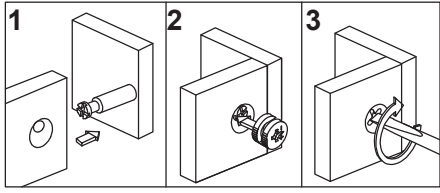
| | | | |
|---|--|---|---|
| <p>Ax4</p>  <p>Ø6x35mm</p> | <p>Gx4</p>  <p>Ø3.5x12mm</p> | <p>CLx1</p>  <p>L250mm</p> | <p>CRx1</p>  <p>L250mm</p> |
|---|--|---|---|

4

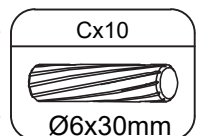
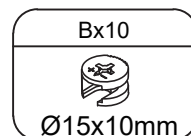
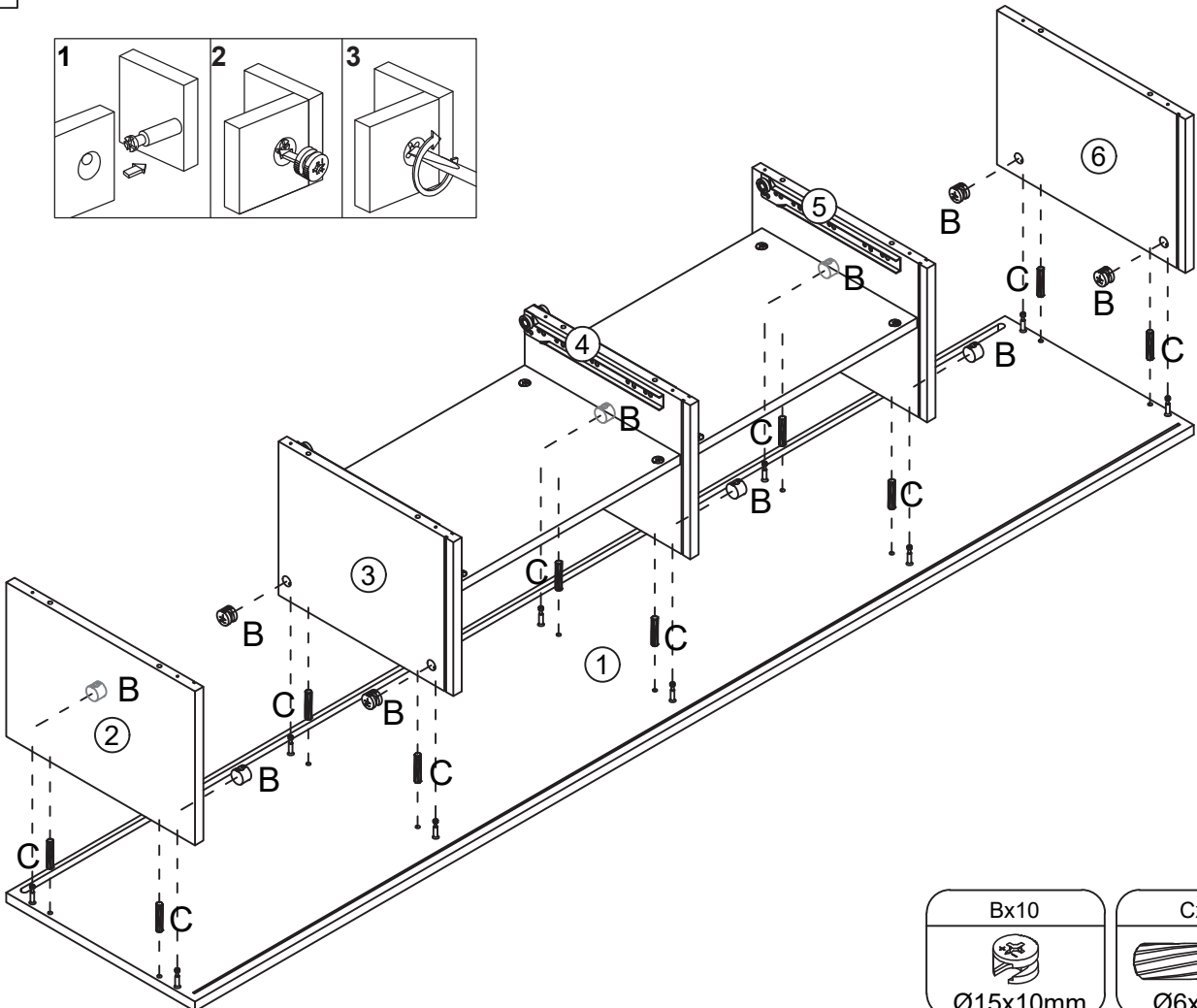
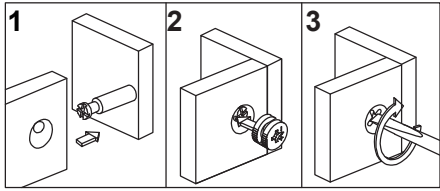


| | |
|--|---|
| <p>Bx4</p>  <p>Ø15x10mm</p> | <p>Ox2</p>  <p>Ø6x50mm</p> |
|--|---|

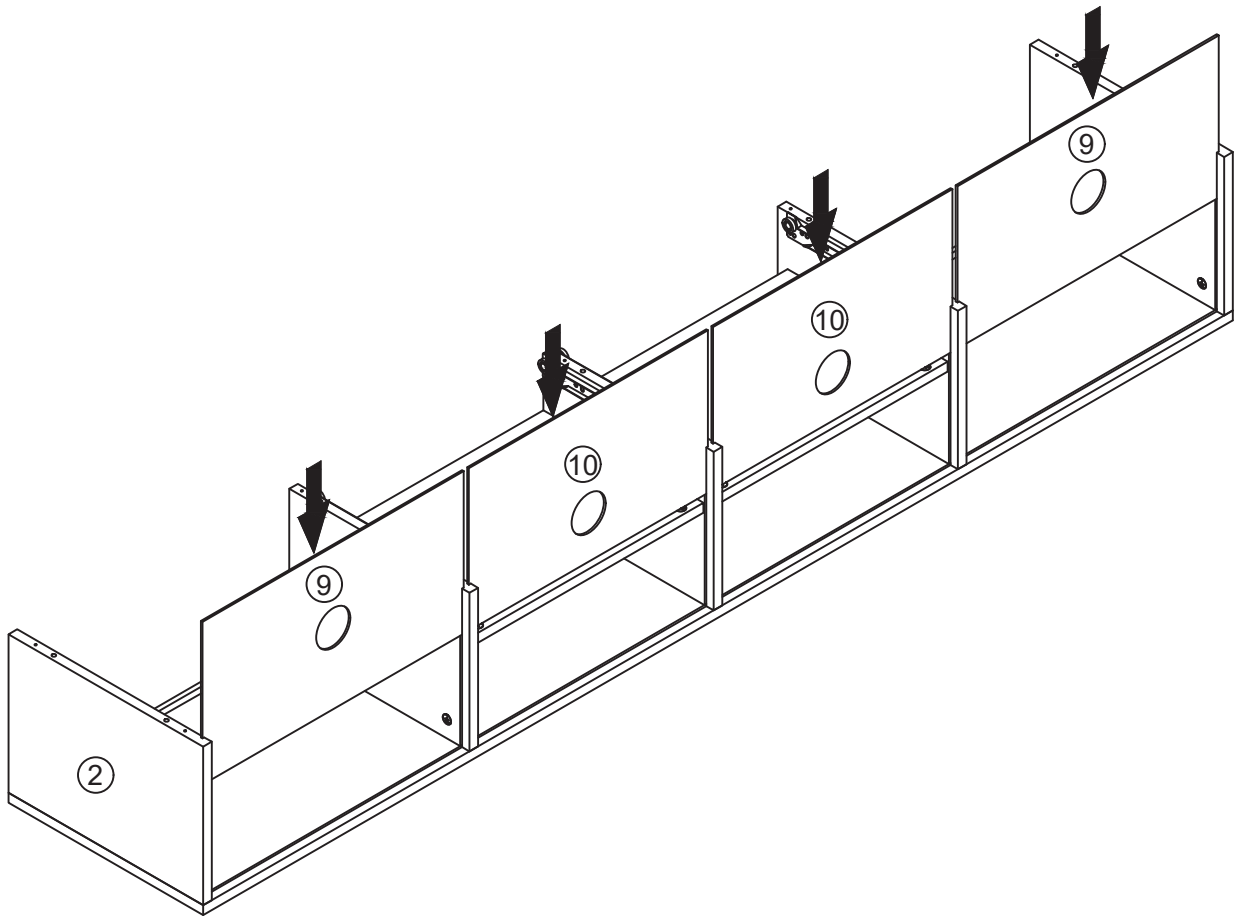
5



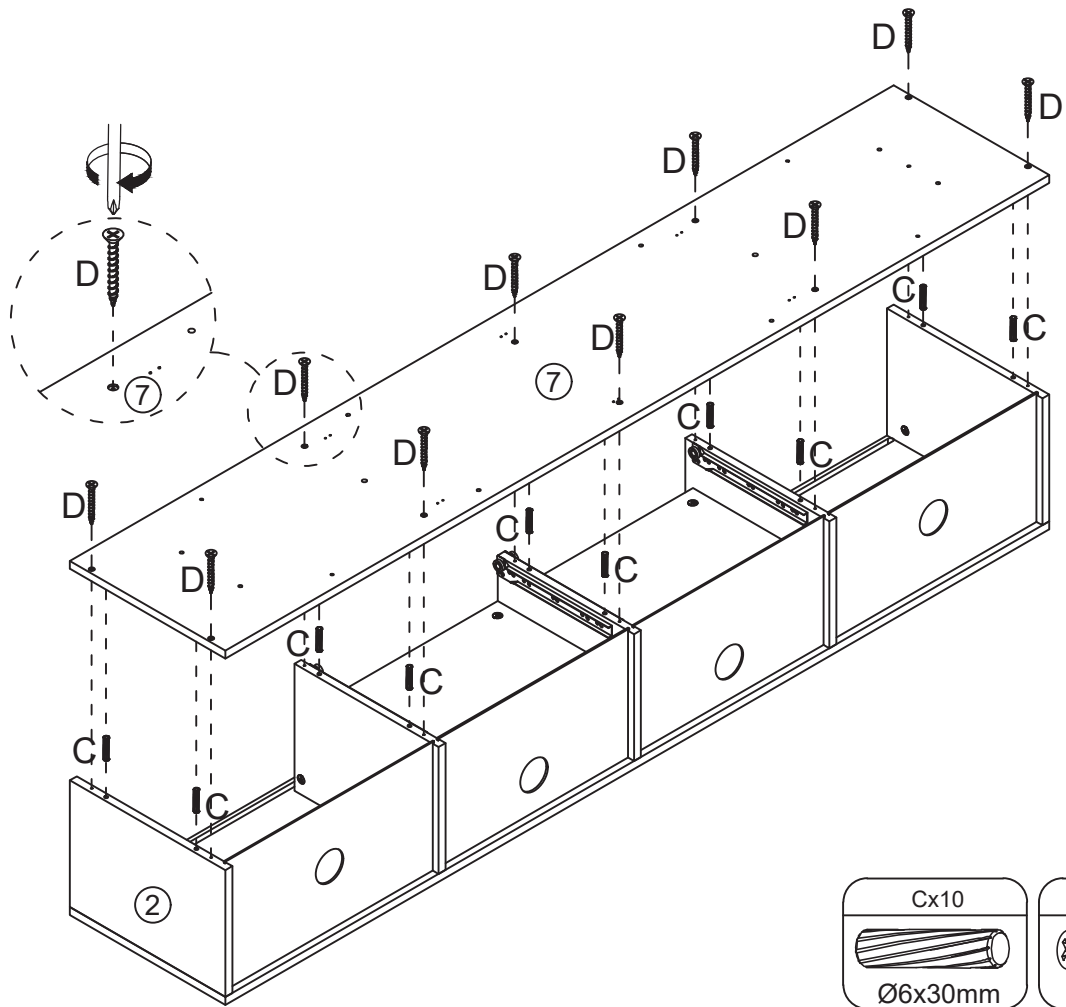
6



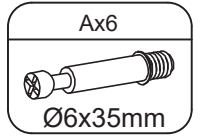
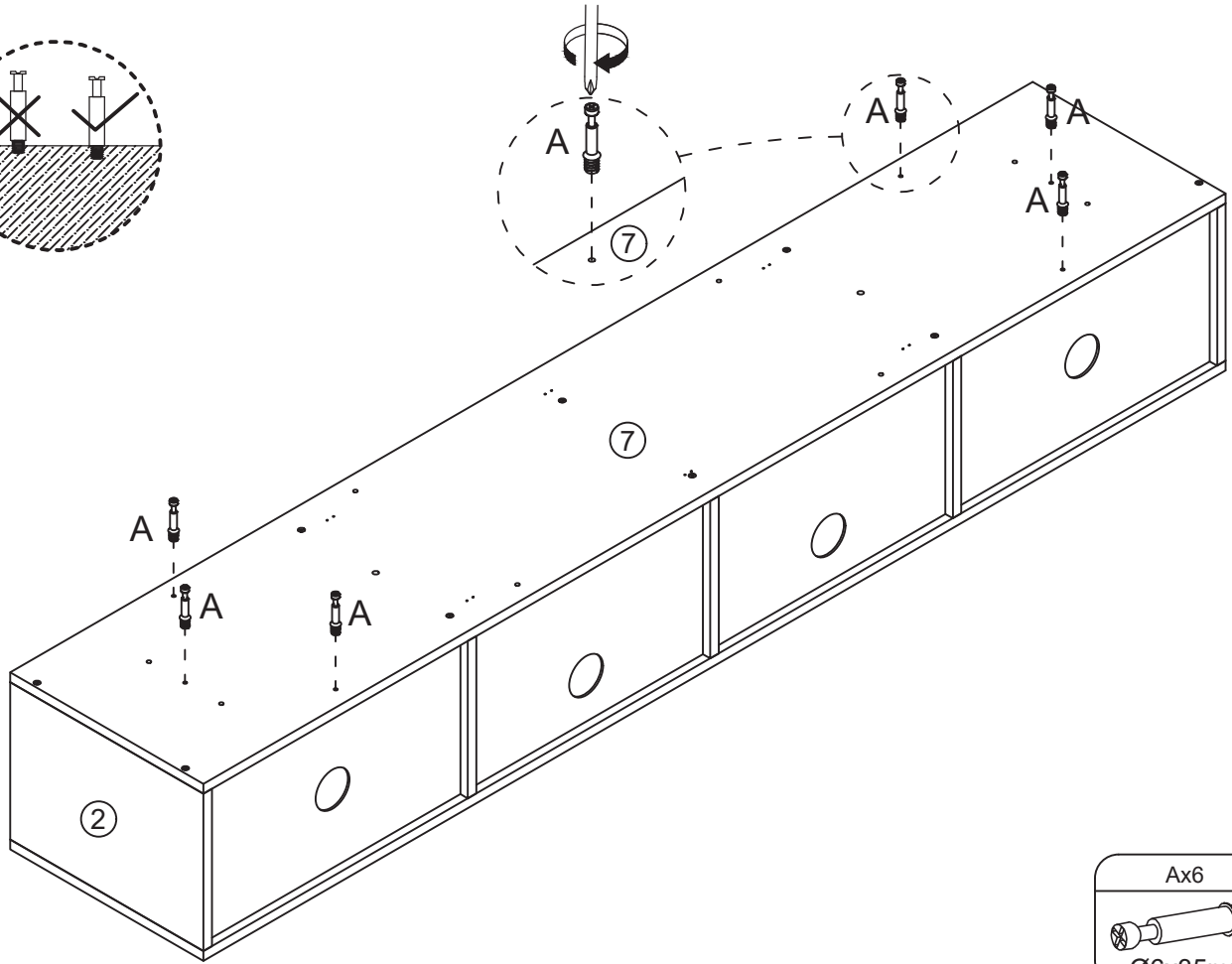
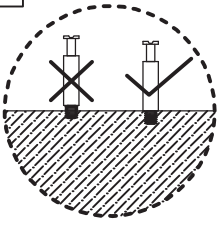
7



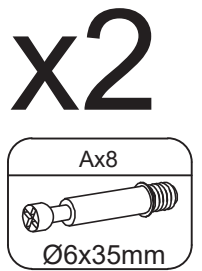
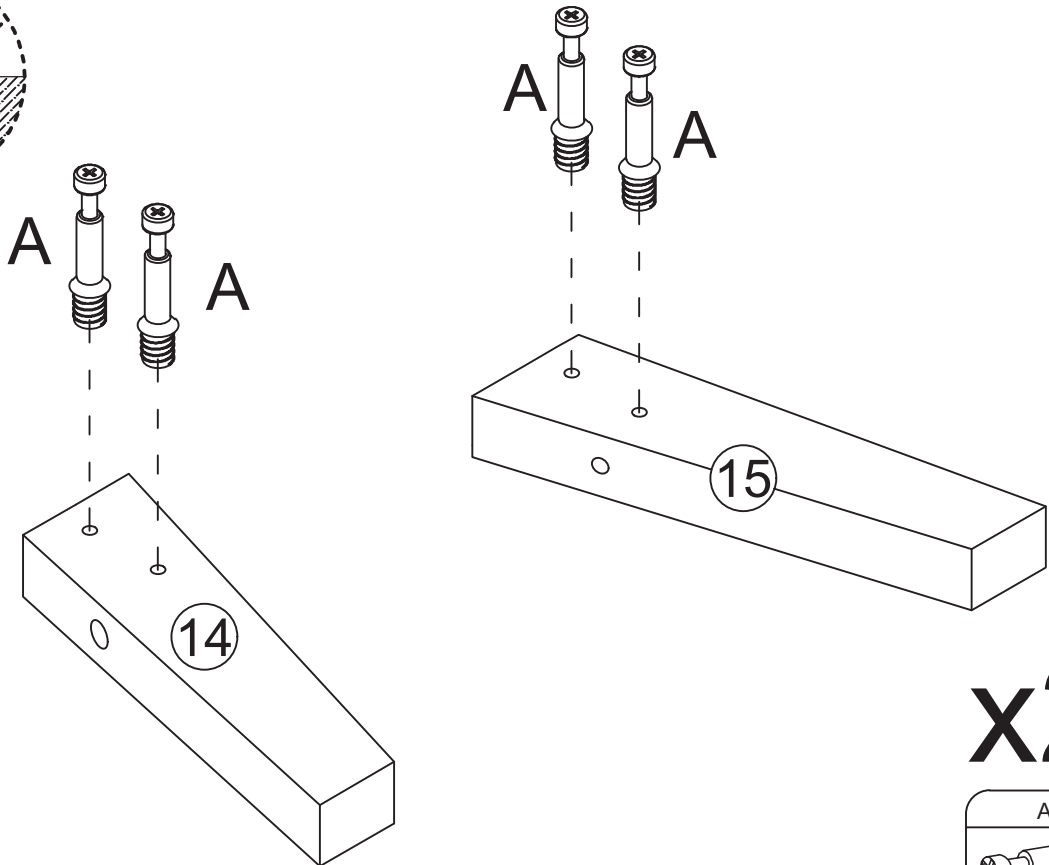
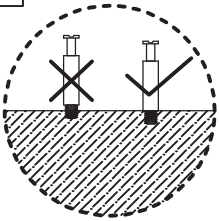
8



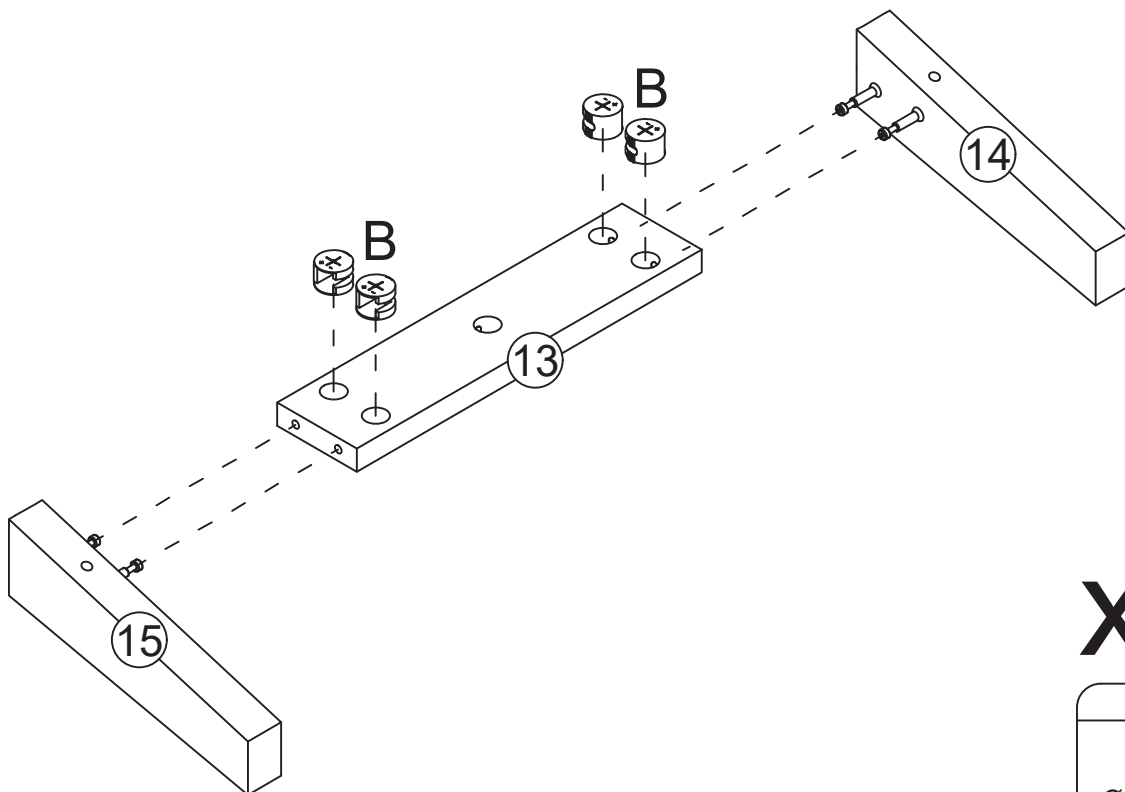
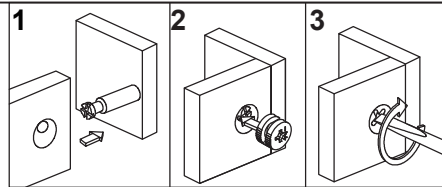
9



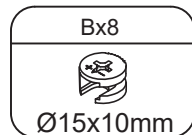
10



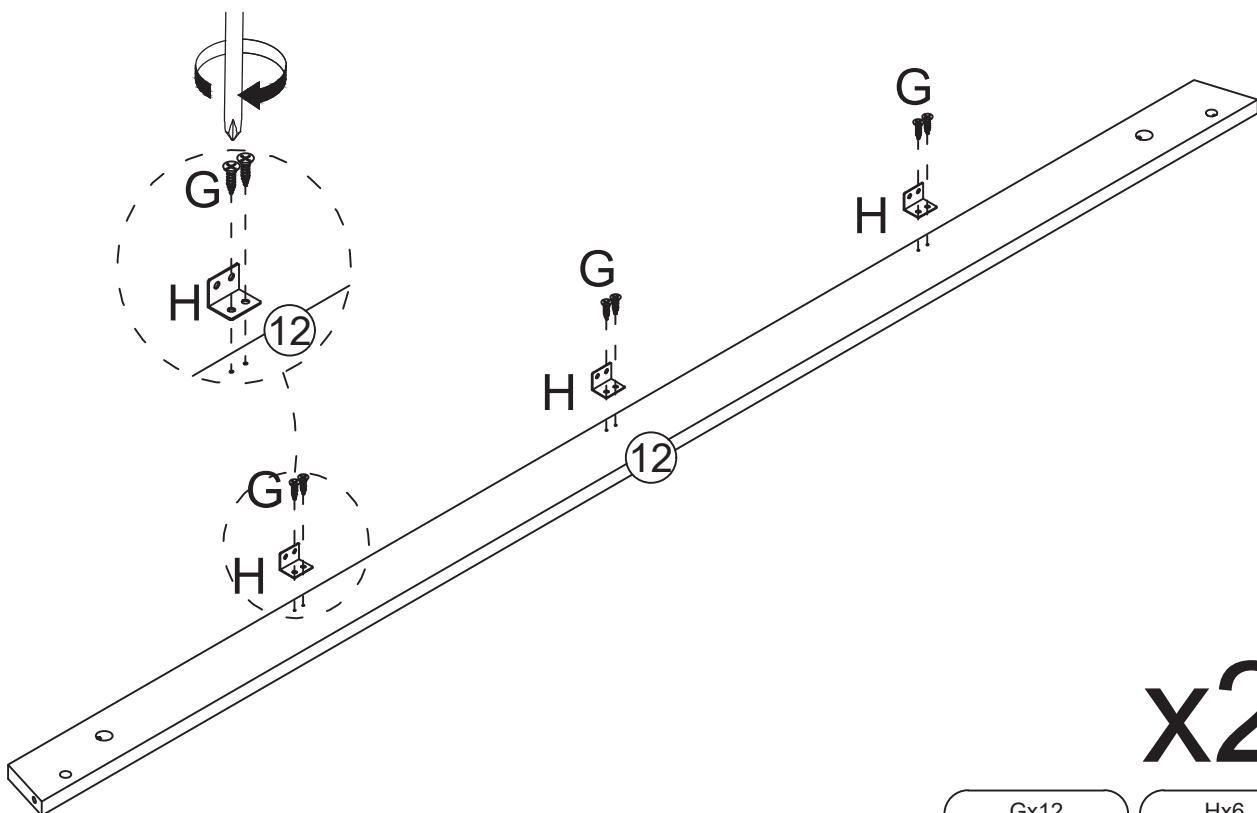
11



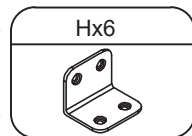
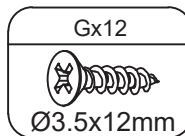
x2



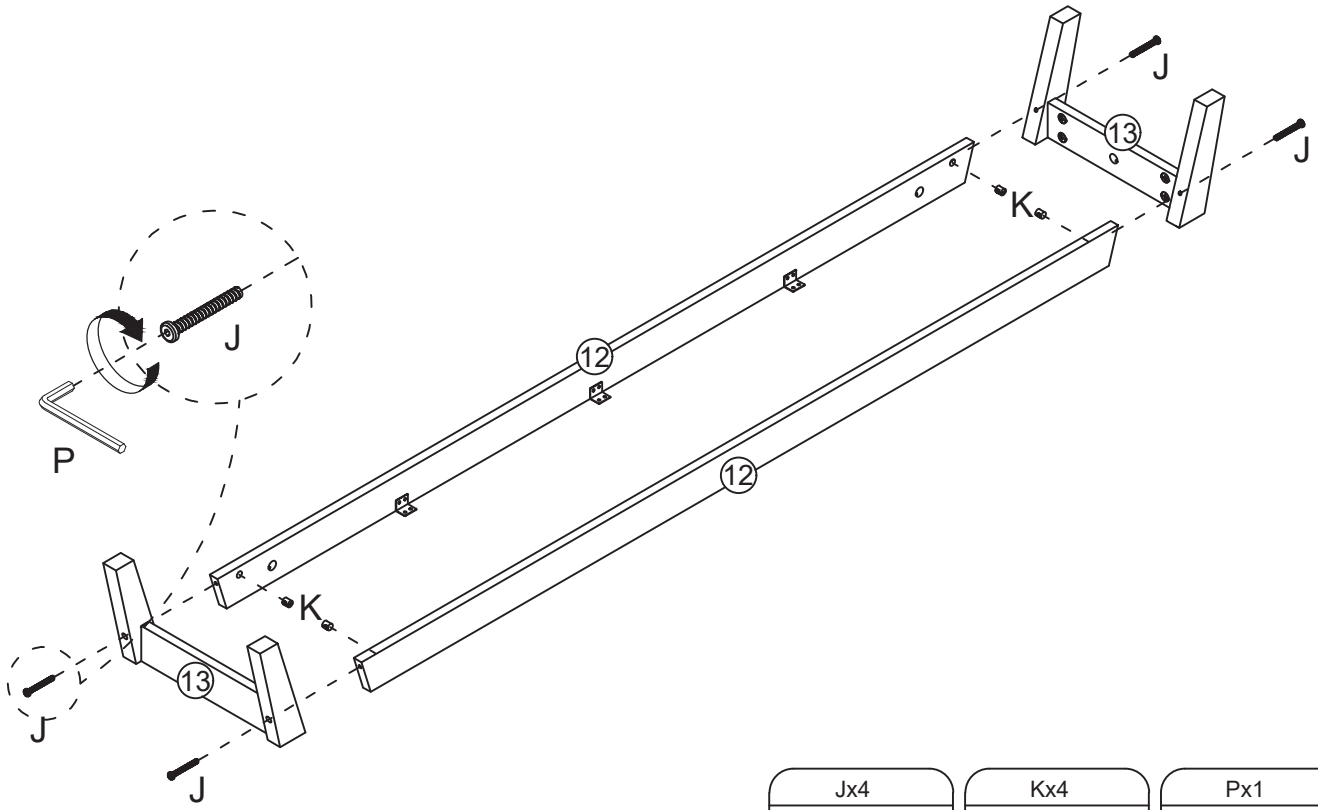
12






x2

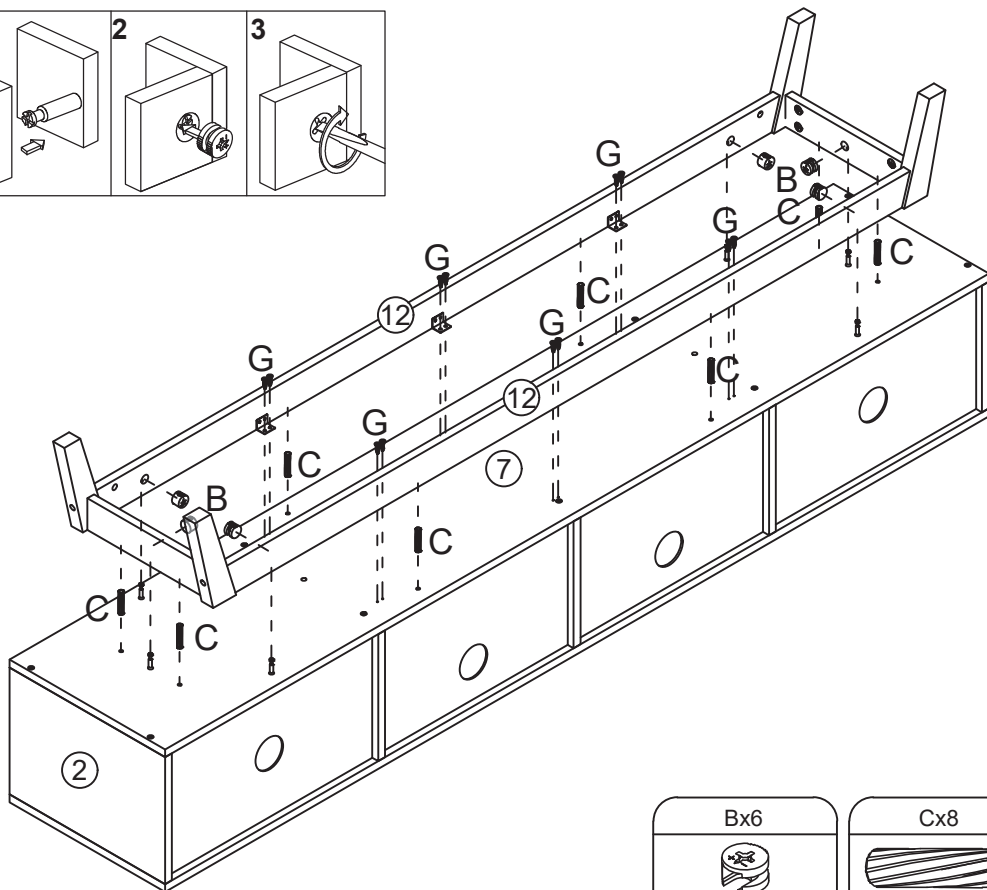
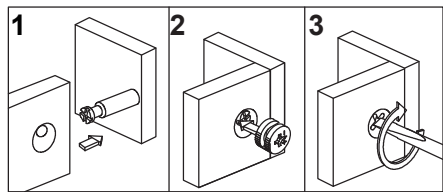





13



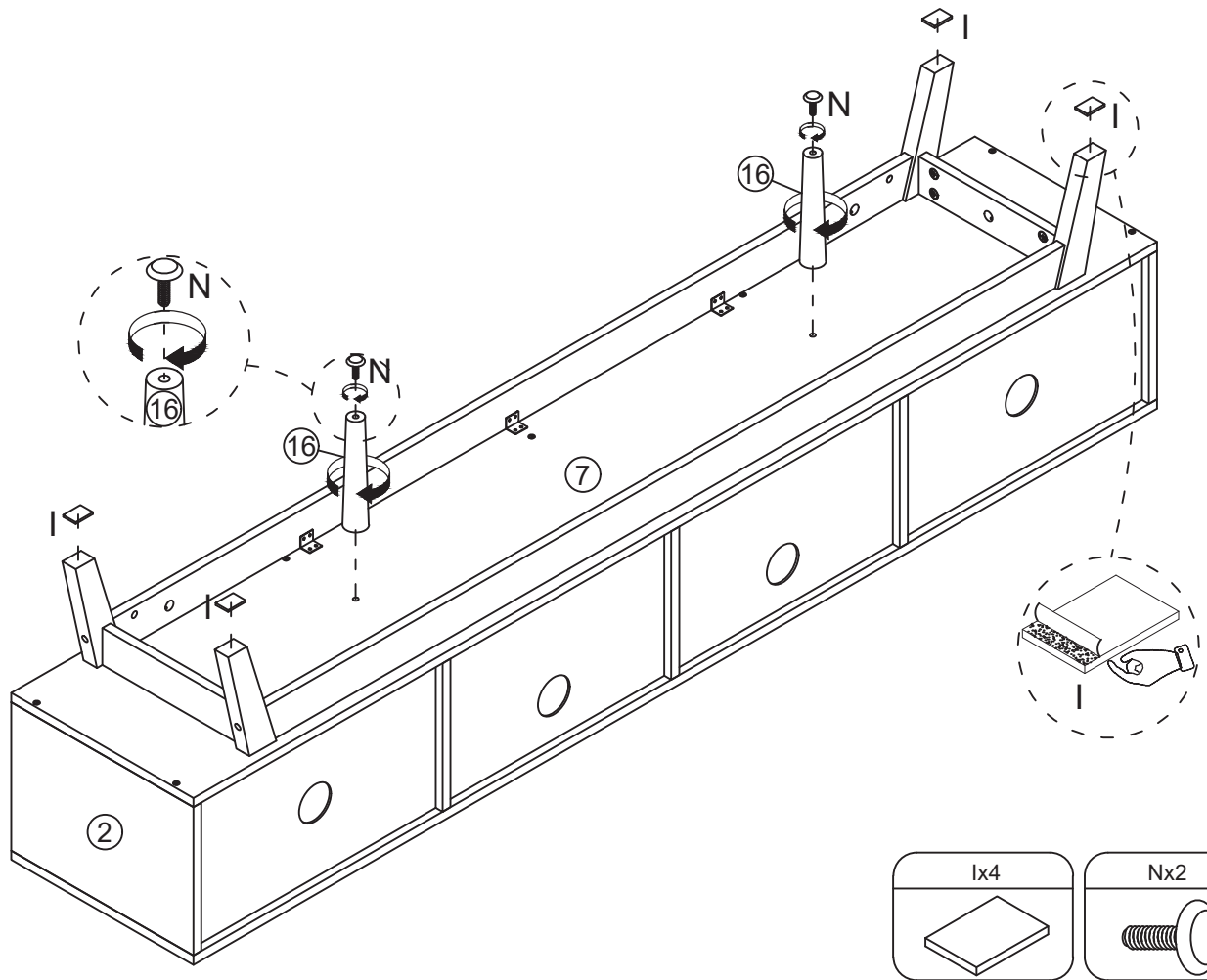
| | | |
|--|--|--|
| Jx4  Ø6x60mm | Kx4  | Px1  M4 |
|--|--|--|

14

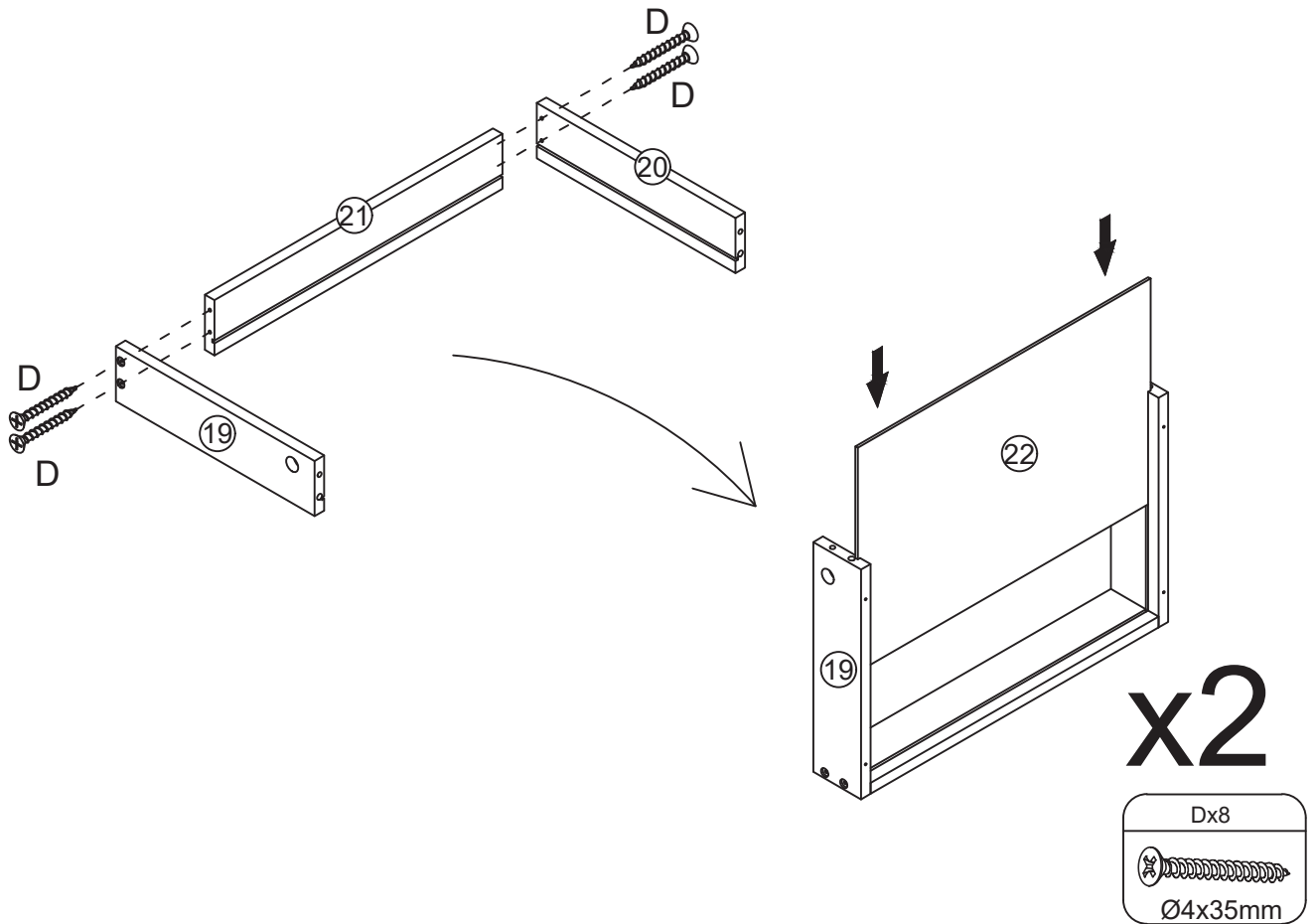


| | | |
|---|---|--|
| Bx6  Ø15x10mm | Cx8  Ø6x30mm | Gx12  Ø3.5x12mm |
|---|---|--|

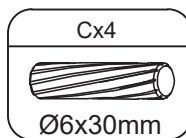
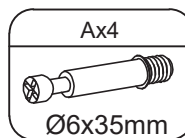
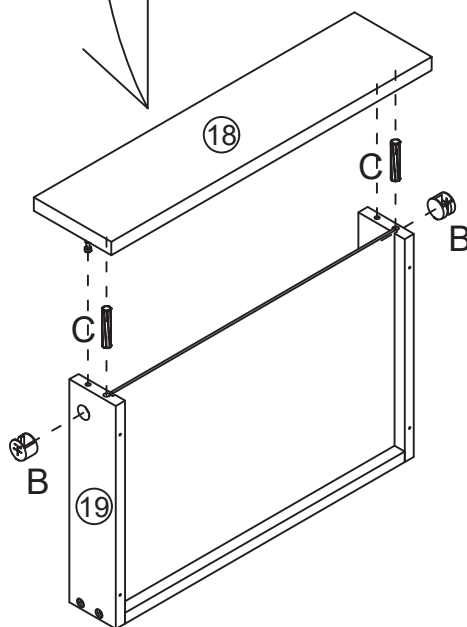
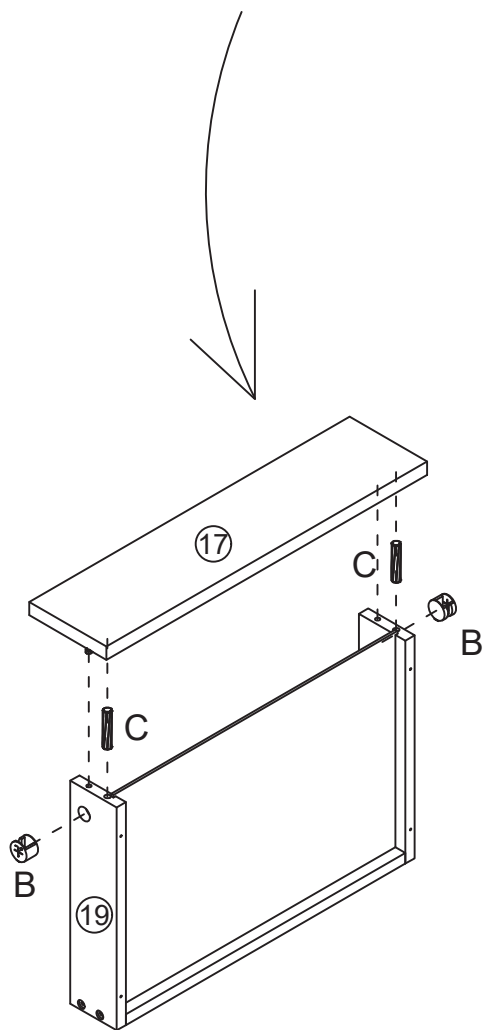
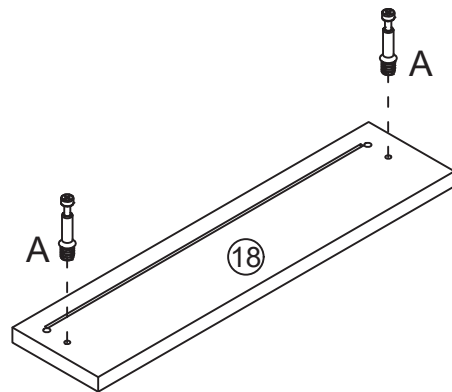
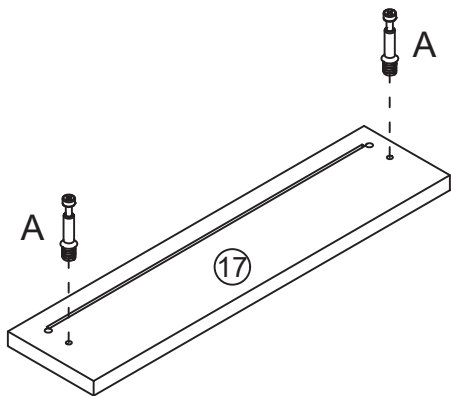
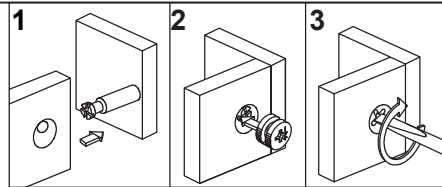
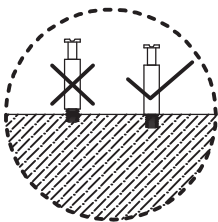
15

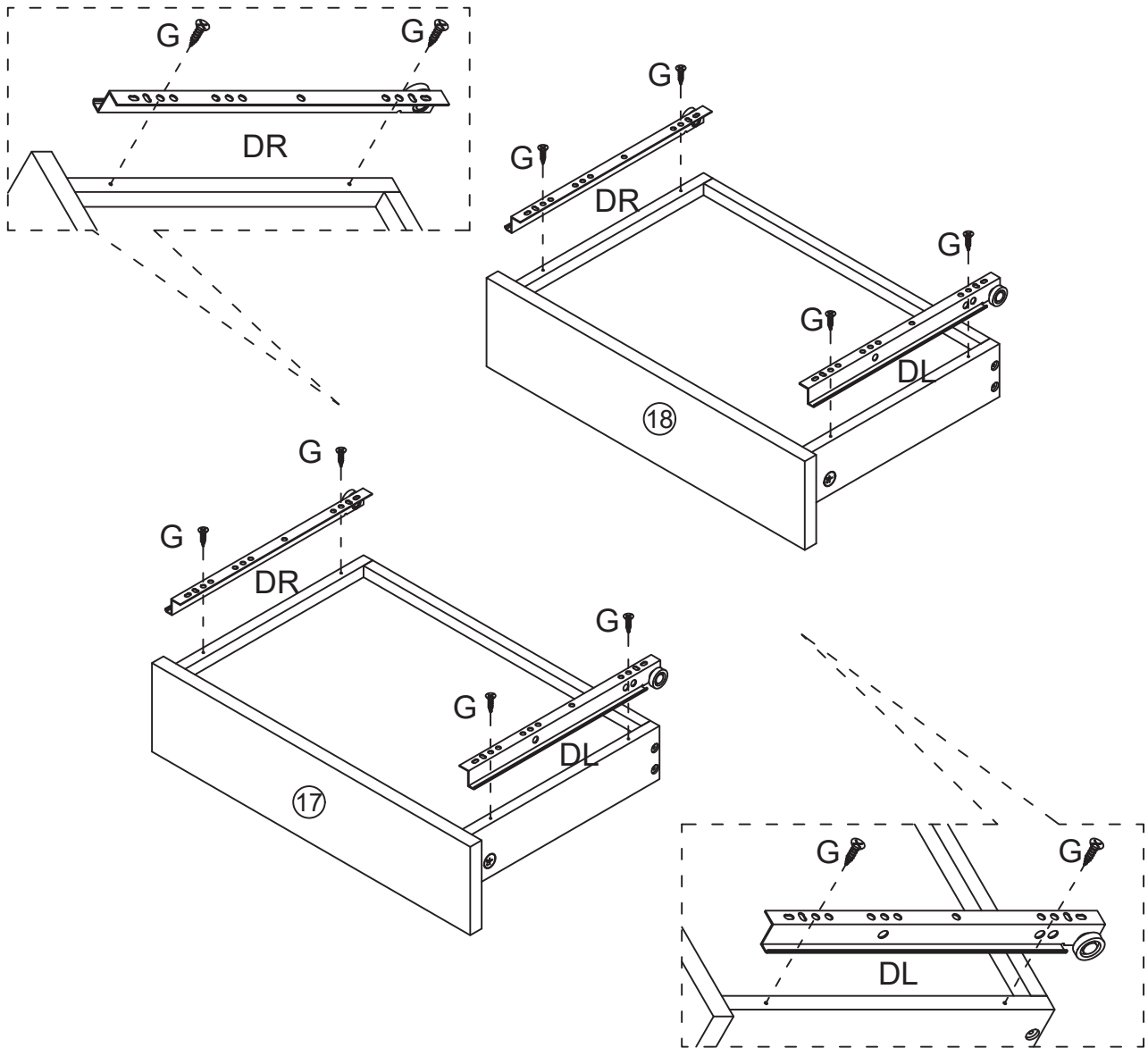





16

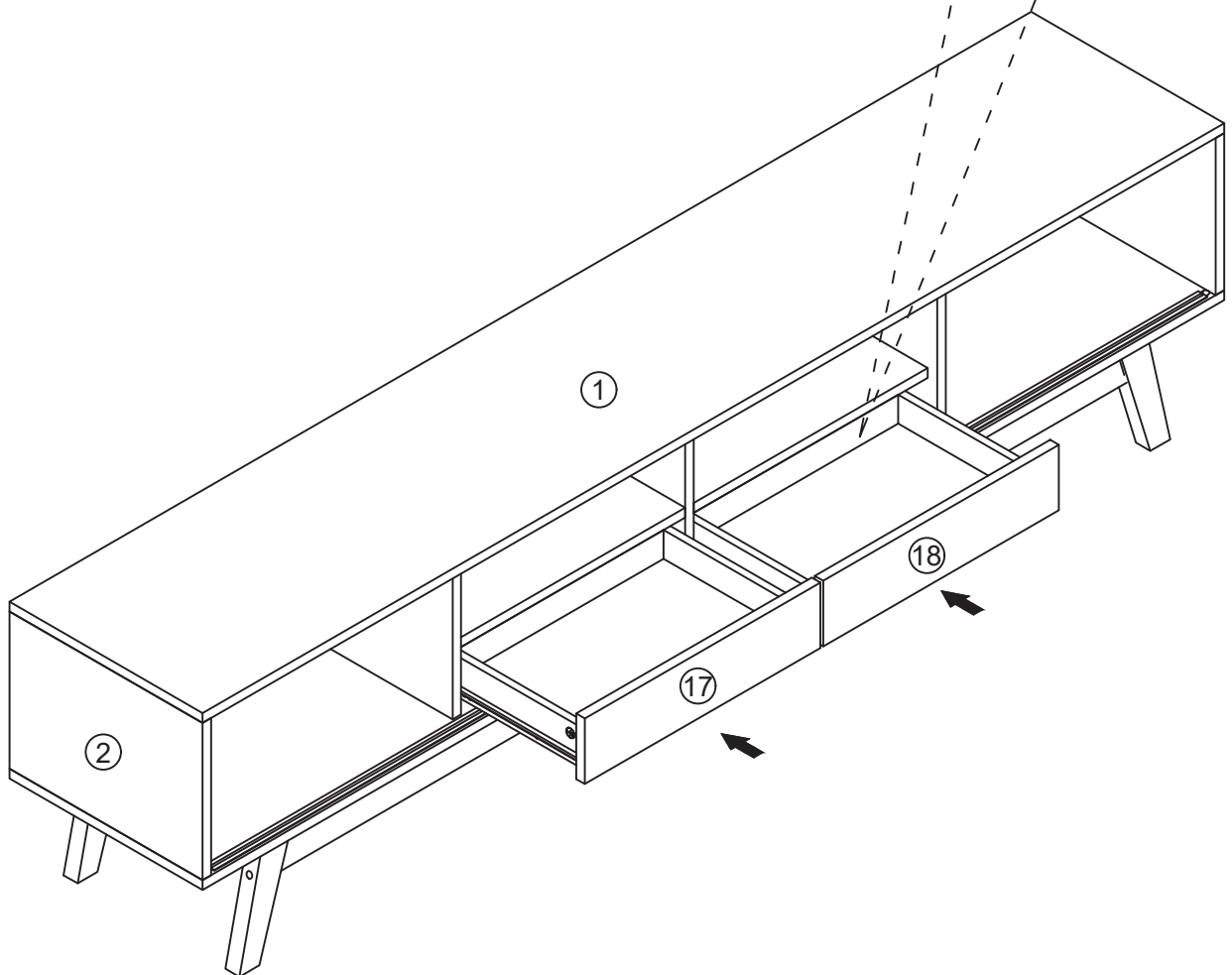
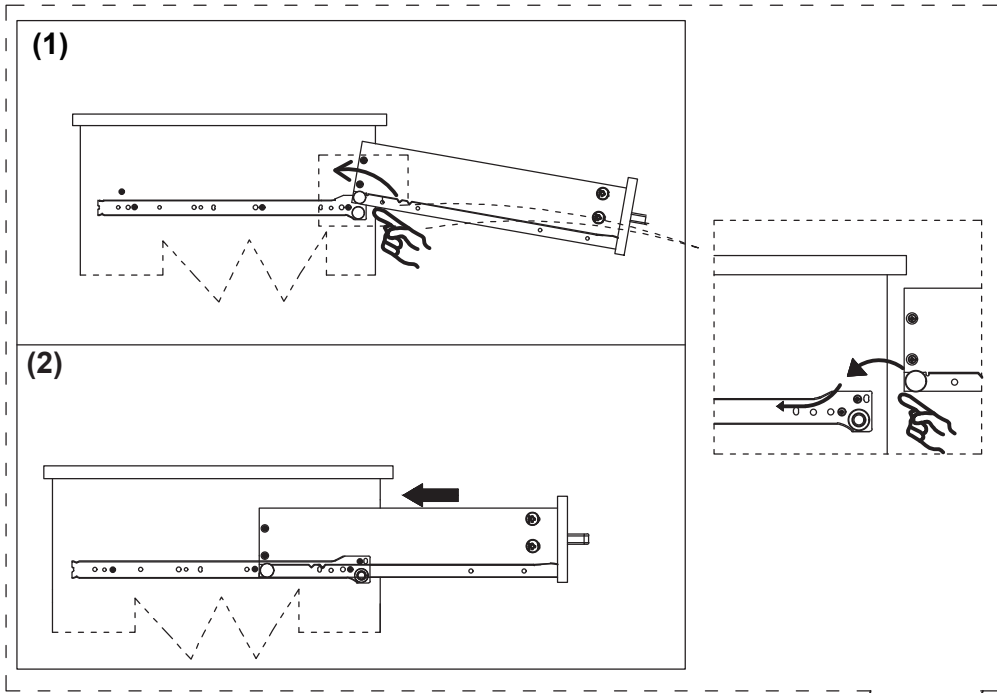


17

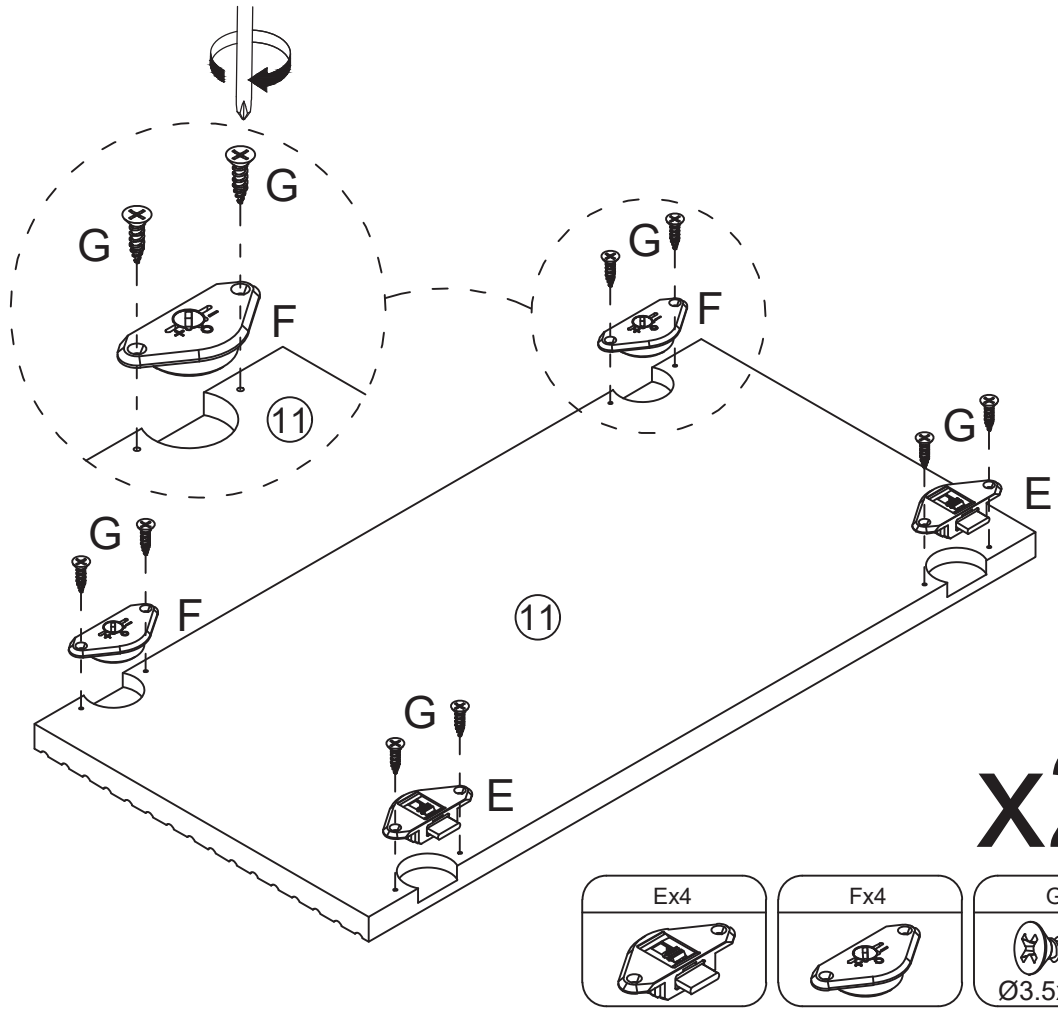




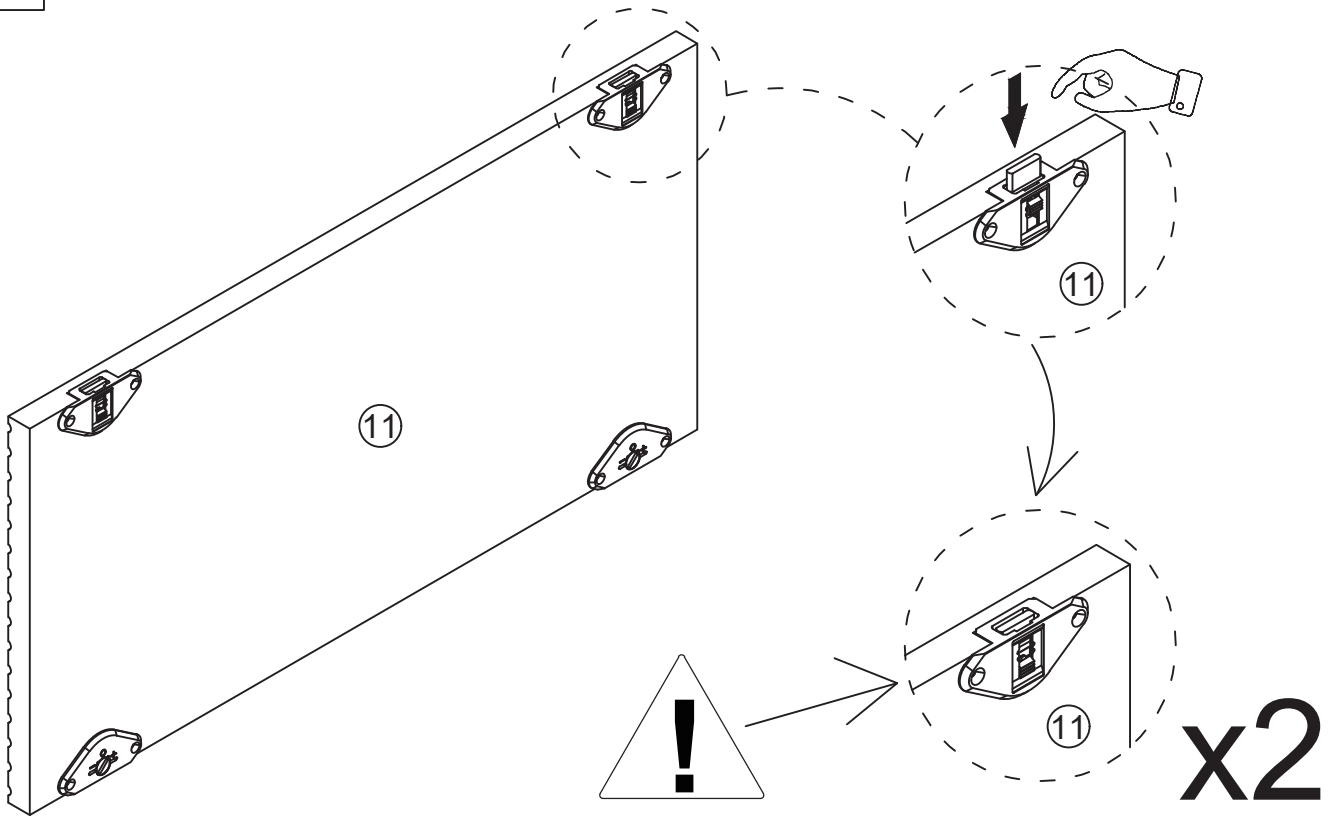
| | | |
|--|---|---|
| <p>Gx8</p>  <p>Ø3.5x12mm</p> | <p>DLx2</p>  <p>L250mm</p> | <p>DRx2</p>  <p>L250mm</p> |
|--|---|---|

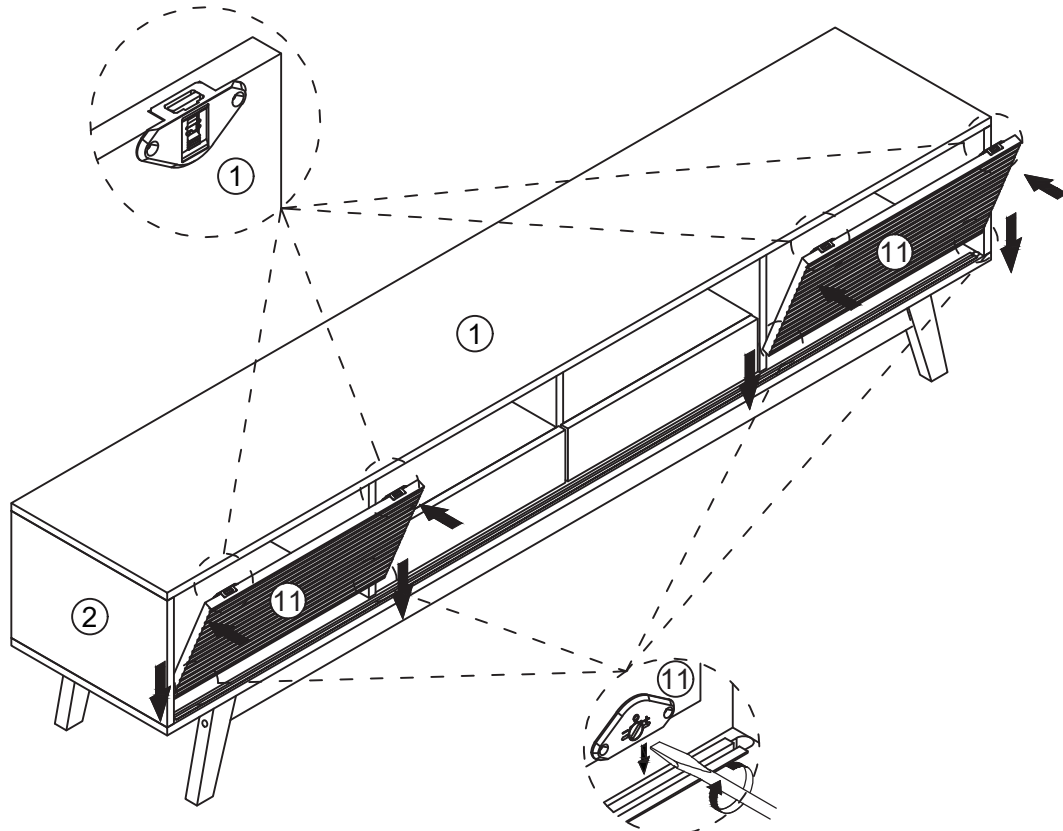


20

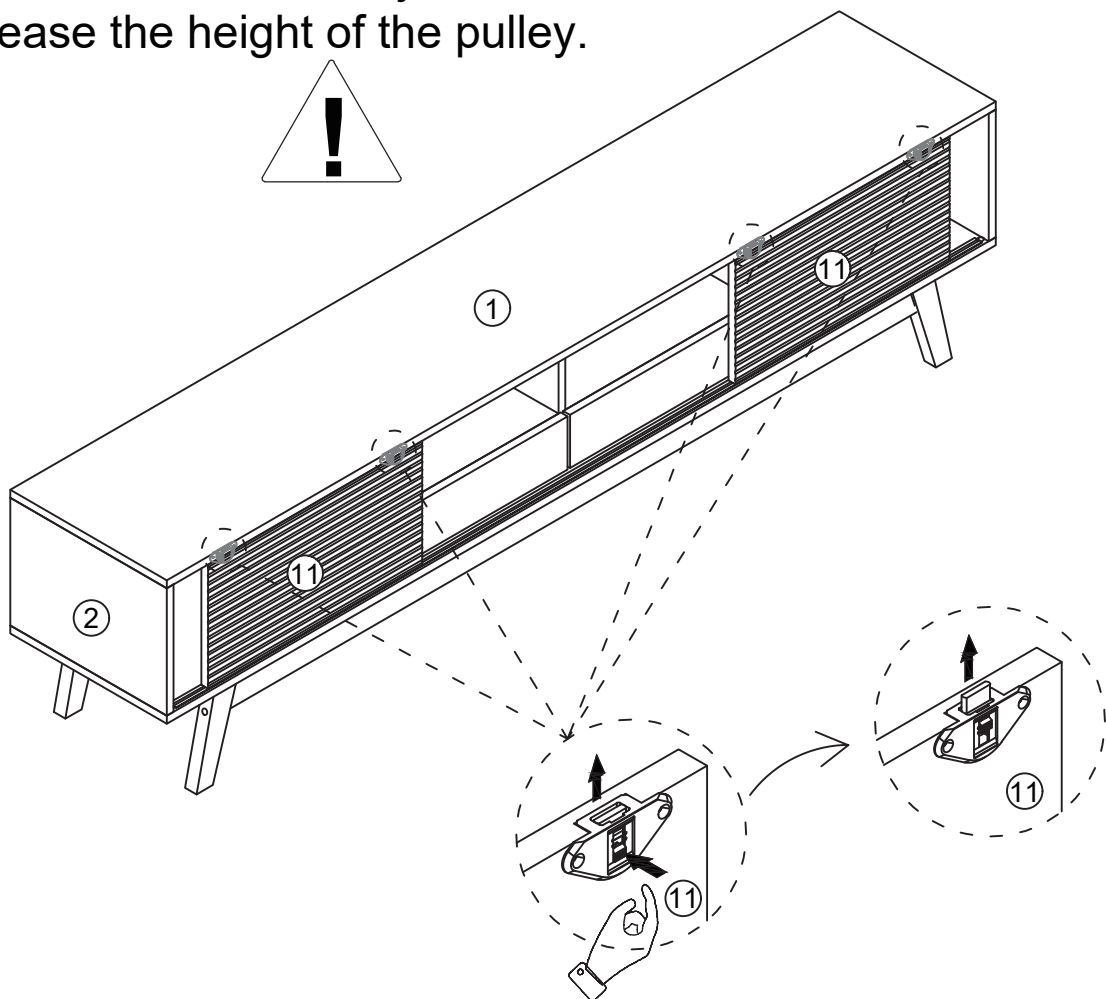


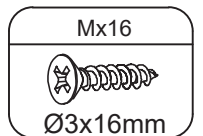
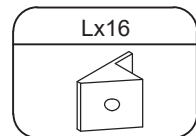
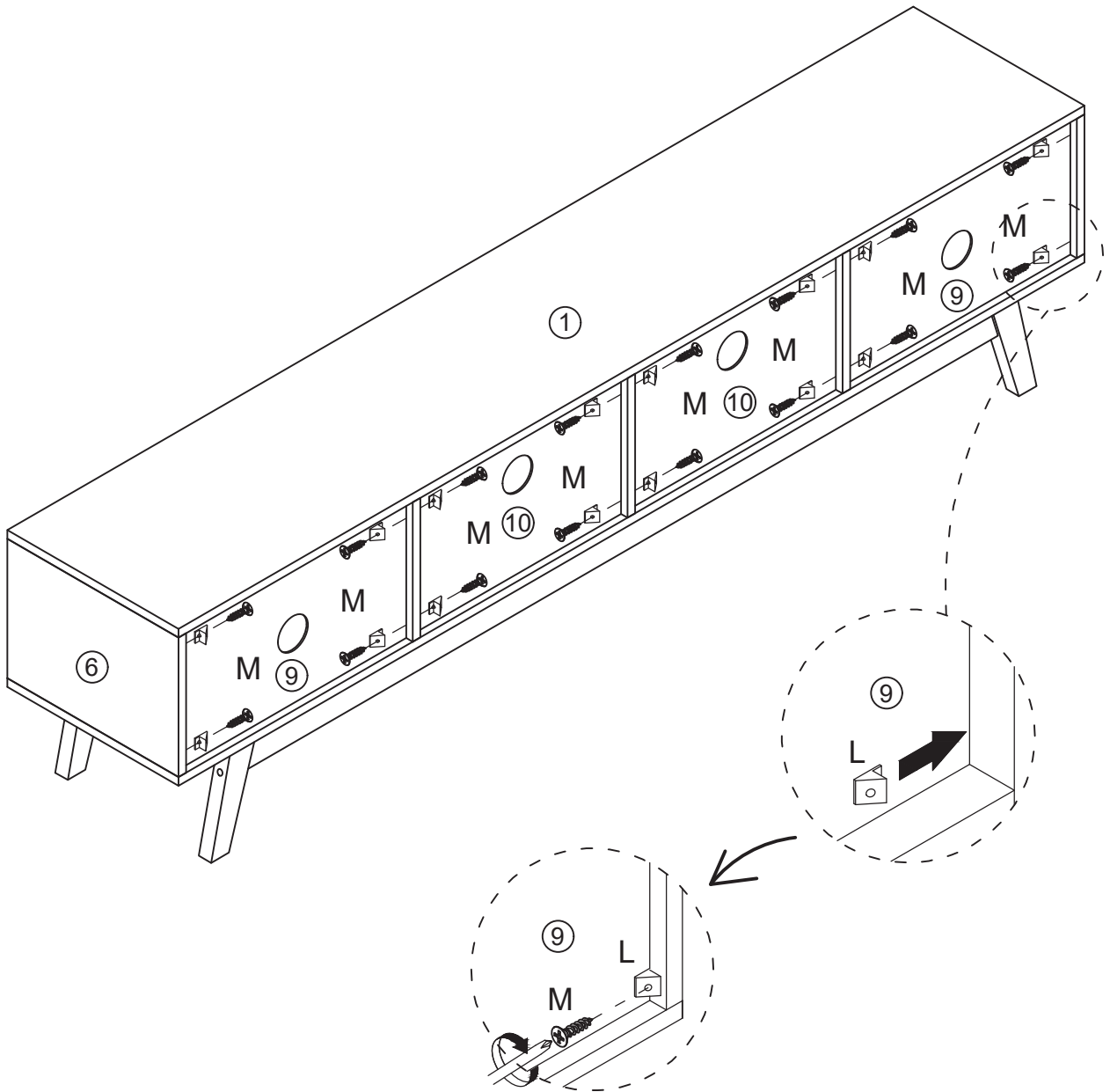
21



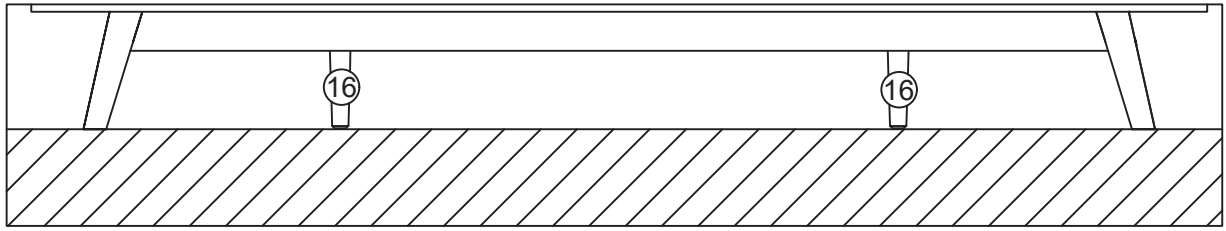


If the door is too loose, adjust the screws to increase the height of the pulley.



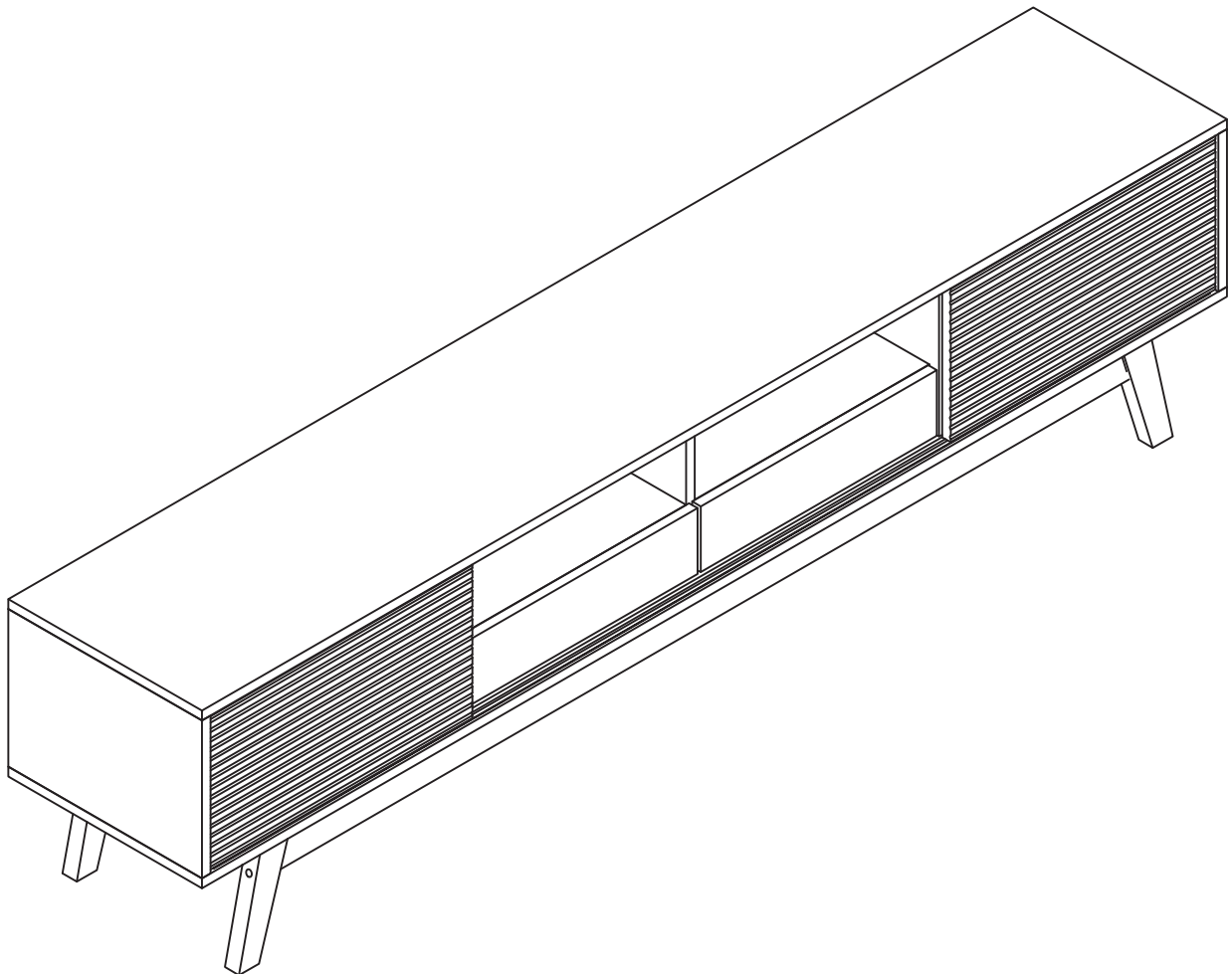


24



If the TV cabinet is unstable with the ground, please rotate the 16 # adjusting foot pad (N).

25



AFTER-SALE SERVICE

If you have any suggestions for our products or find that the products have quality problems, please contact us first, our after-sales team will reply you within 24 hours, and we will do our best to give you solutions until you are satisfied.

Guaranteed Customer Service

Your shopping experience is very important to us!
Feel unsatisfied? **Contact us!**
Have any questions? **Contact us!**

Wanna share your experience with our products?
Share your pictures with us.

Any suggestions? **Contact us!**
We gotcha back!