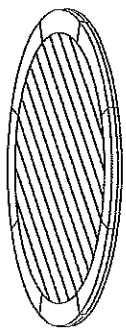

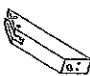

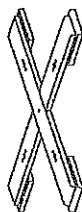


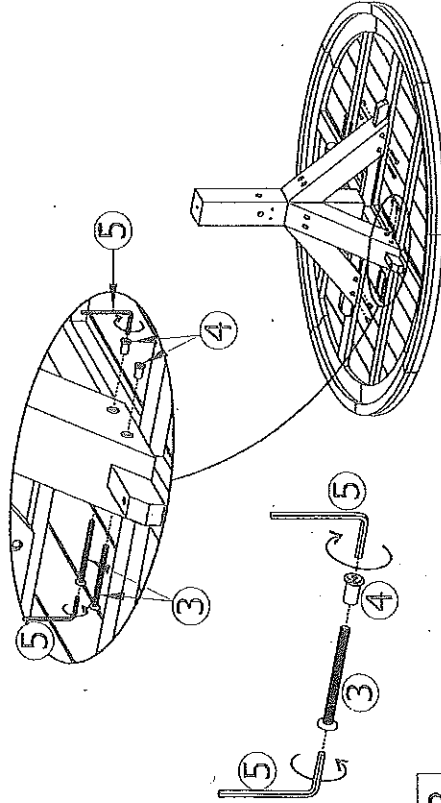
Plow & Hearth.

62C27 Product Name: CLAREMONT ROUND TABLE

ASSEMBLY INSTRUCTION

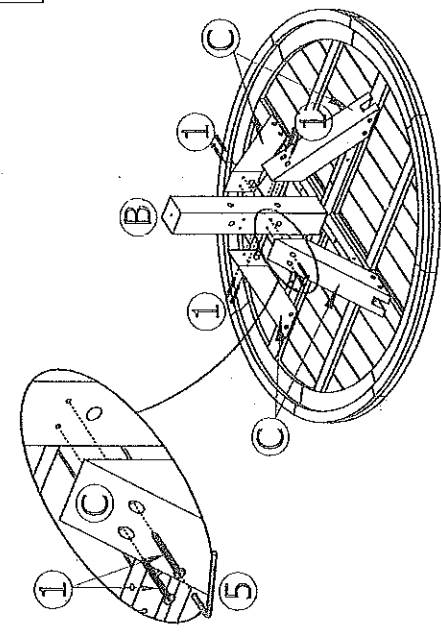
1/2

	A-1Pc
	B-1Pc
	C-4Pcs
	D-4Pcs
	E-1Pc




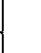






1 3

2 4



Fitting list

	①		②
		(M7 x 80)mm x 16Pcs	
	③		④
		(M7 x 60)mm x 9Pcs	
	⑤		⑤
		(M8 x 80)mm x 8Pcs	
		(M8x18)mm x8Pcs	
		Allen Key x 2Pcs	

Plow & Hearth®

Maintenance of Hardwood

Wood is a living material. Minor cracks and a change of color over time are natural features of hardwood. To maintain the furniture, you should follow these instructions.

New furniture in particular should be treated as soon as possible. For this, apply "outdoor use" furniture oil repeatedly until the point of saturation is reached (until no further absorption takes place), and then wipe off the excess. A clear sealant spray for outdoor use can also be used, such as polyurethane. Allow the wood to dry for 48 hours before placing the furniture back outside.

It's recommended to repeat this treatment once a year.

The surface of hardwood furniture can become rough over time when exposed to the elements. This is a normal process and occurs when the surface fibers rise slightly due to wet conditions. In this case you can use a semi-fine sandpaper to smooth the surface and oil it afterwards. This should bring back the old shape and color.

Storage during Winter

Timber shrinks and expands due to changes in humidity. When storing indoors, especially in central heated rooms, the timber can dry out, potentially creating cracks. Cool, well-ventilated spaces are the most suitable locations for storage.

After a period of use and/or drying out of the wood, it may be necessary to tighten the screws, using a hexagonal Allen wrench.