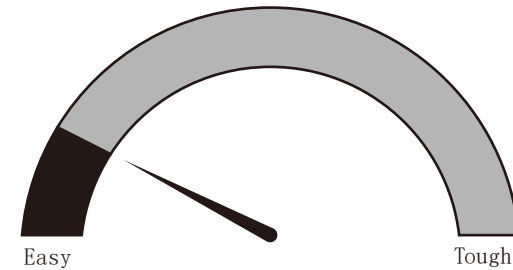


THIS INSTRUCTION BOOKLET CONTAINS IMPORTANT SAFETY INFORMATION. PLEASE READ AND KEEP FOR FUTURE REFERENCE.



## **WARNING**

- Unit can tip over causing severe injury or death.
- Anchor unit to stud in wall (if instructed to).
- Do Not allow children to climb on unit.
- Put heavy items on lower shelves or drawers.

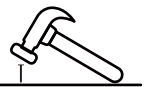
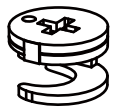
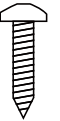


Assembly Difficulty Meter

# Helpful Hints

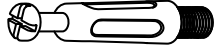

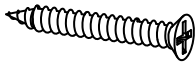




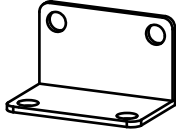
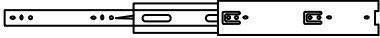
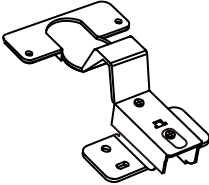
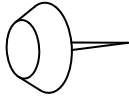
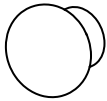
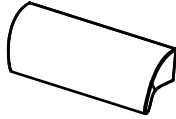
PEOPLE NEEDED FOR ASSEMBLY: 1 - 2  
ESTIMATED ASSEMBLY TIME: 1 HOUR

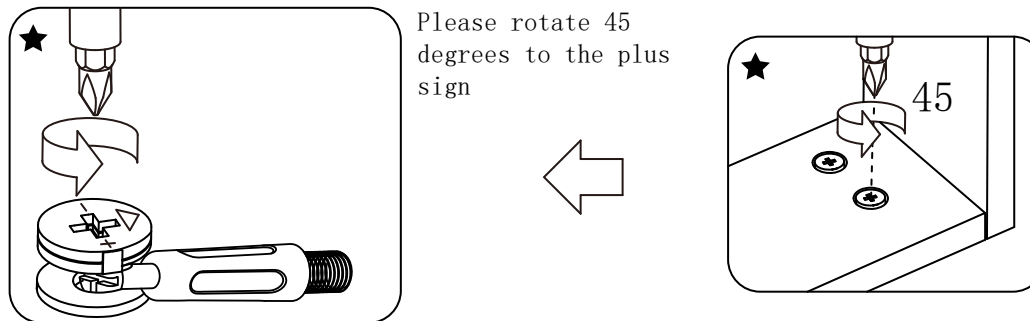
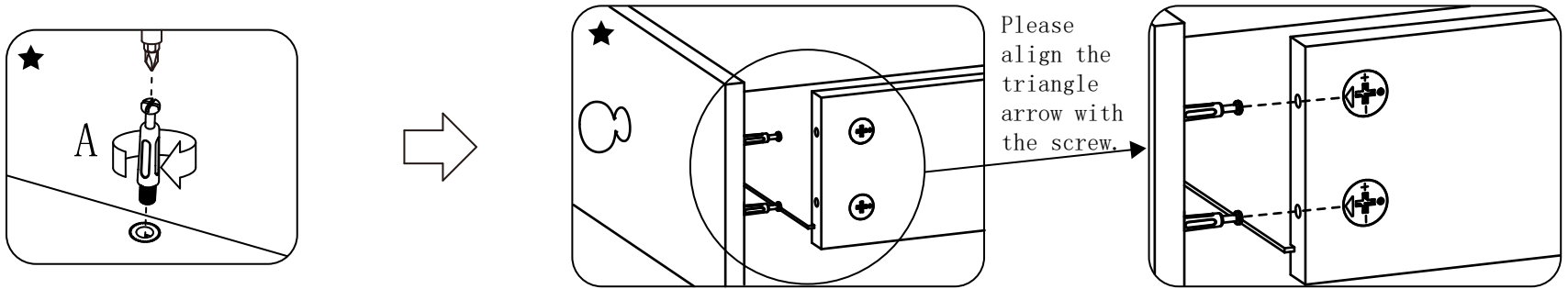
- Open your item in the area you plan to keep it to avoid excessive heavy lifting.
- Identify, sort and count the parts before attempting assembly.
- Compression dowels are lightly tapped in with a hammer.
- Slides are labeled with a R (right) and L (left) for proper placement.
- Make sure to always face the point on the top of the Cam Lock towards the outer edge.
- Use all the nails provided for the back panel and spread them out equally.
- Back panel must be used to make sure your unit is sturdy.
- Do NOT use harsh chemicals or abrasive cleaners on this item.
- Never push, pull, or drag your furniture.



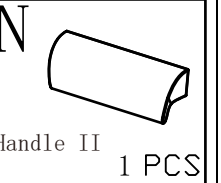
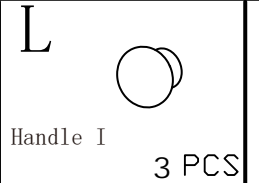
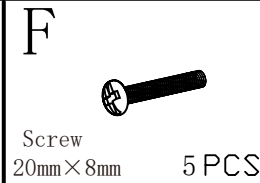
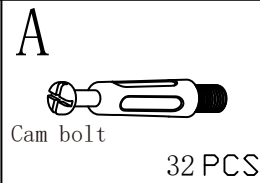
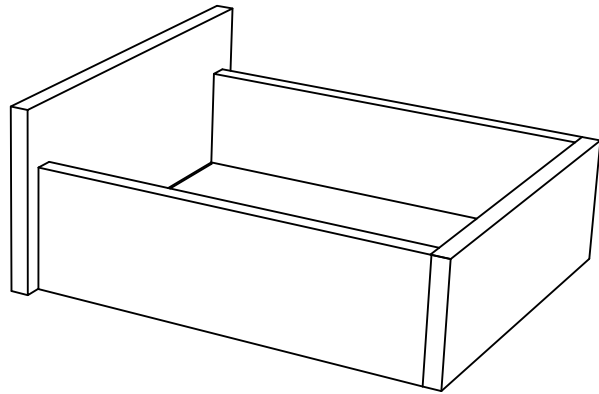
# Before You Start

- ✓ — Read through each step carefully and follow the proper order
- ✓ — Separate and count all your parts and hardware
- ✓ — Give yourself enough room for the assembly process
- ✓ — Have the following tools: Hammer
- ✓ — Caution: If using a power drill or power screwdriver for screwing, please be aware to slow down and stop when screw is tight. Failure to do so may result in stripping the screw.

<p><b>A</b></p>  <p>Cam bolt 35×6</p> <p>83PCS</p>	<p><b>B</b></p>  <p>Cam lock</p> <p>83PCS</p>	<p><b>C</b></p>  <p>Long screws 14×3.5</p> <p>16 PCS</p>	<p><b>D</b></p>  <p>Plastic plug</p> <p>16 PCS</p>	<p><b>E</b></p>  <p>Positioning pin Φ12×8</p> <p>8 PCS</p>
<p><b>F</b></p>  <p>Screw 20×8</p> <p>6 PCS</p>	<p><b>G</b></p>  <p>Short screws 10×7</p> <p>28 PCS</p>	<p><b>H</b></p>  <p>2 PCS</p>	<p><b>I</b></p>  <p>Drawer rails</p> <p>2 PCS</p>	<p><b>J</b></p>  <p>Hinge</p> <p>2 PCS</p>
<p><b>K</b></p>  <p>Cabinet shoe</p> <p>10 PCS</p>	<p><b>L</b></p>  <p>Handle I</p> <p>4 PCS</p>	<p><b>N</b></p>  <p>Handle II</p> <p>1 PCS</p>		



First install the drawer .

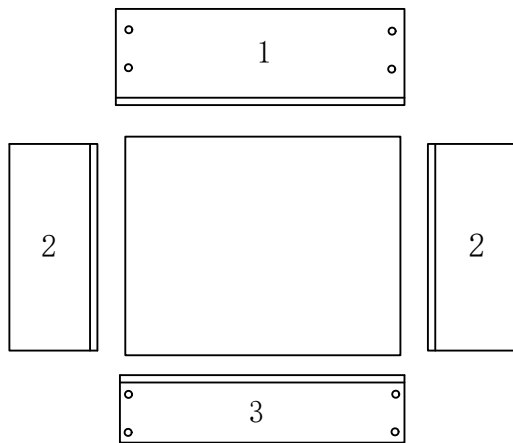
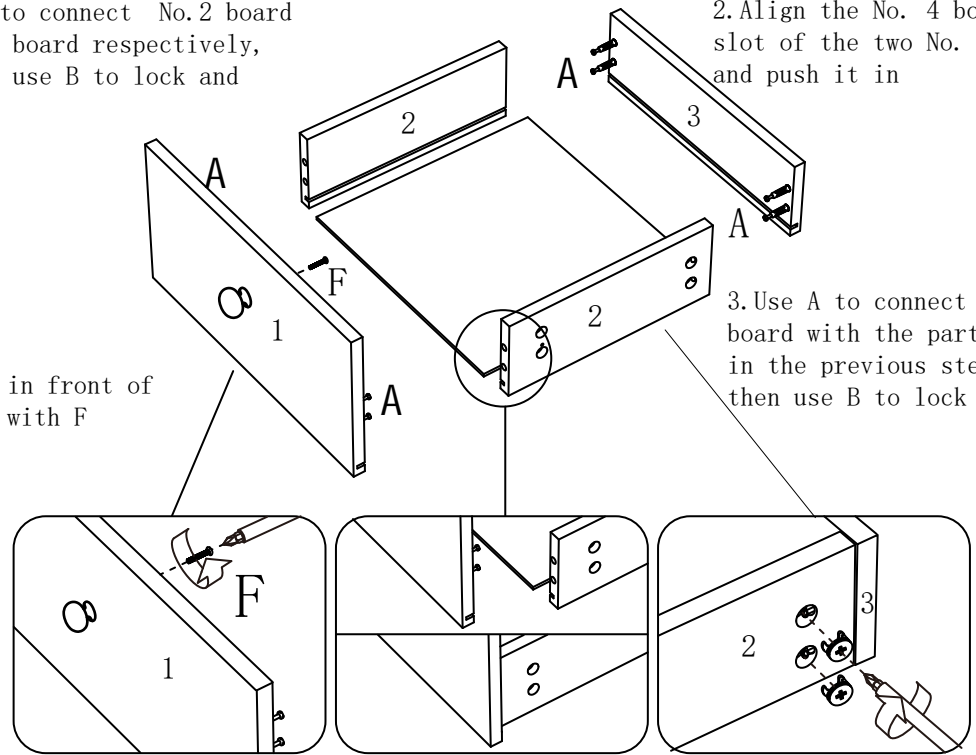


1. Use A to connect No. 2 board and No. 3 board respectively, and then use B to lock and fix A

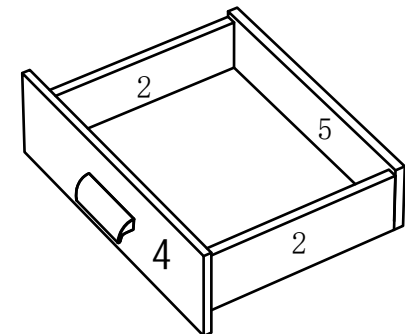
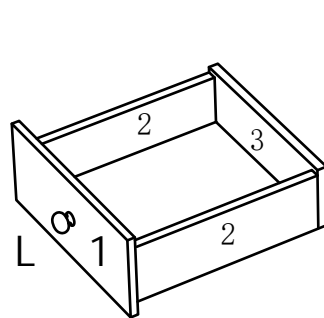
2. Align the No. 4 board with the slot of the two No. 2 boards and push it in

4. Fix L in front of plate 1 with F

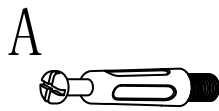
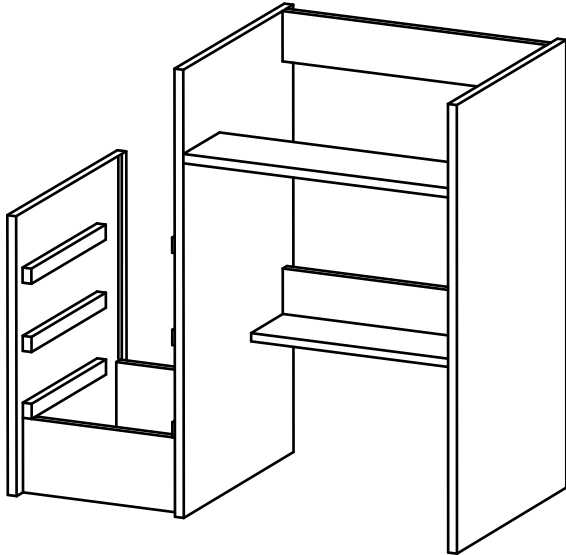
3. Use A to connect the No. 1 board with the part installed in the previous step, and then use B to lock A and fix it



Find out all the plates with grooves and classify them

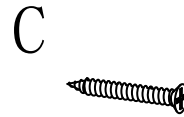


Second install the cabinet.



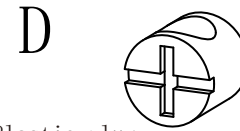
Cam bolt

8 PCS



Long screws  
14mm×3.5m

4 PCS



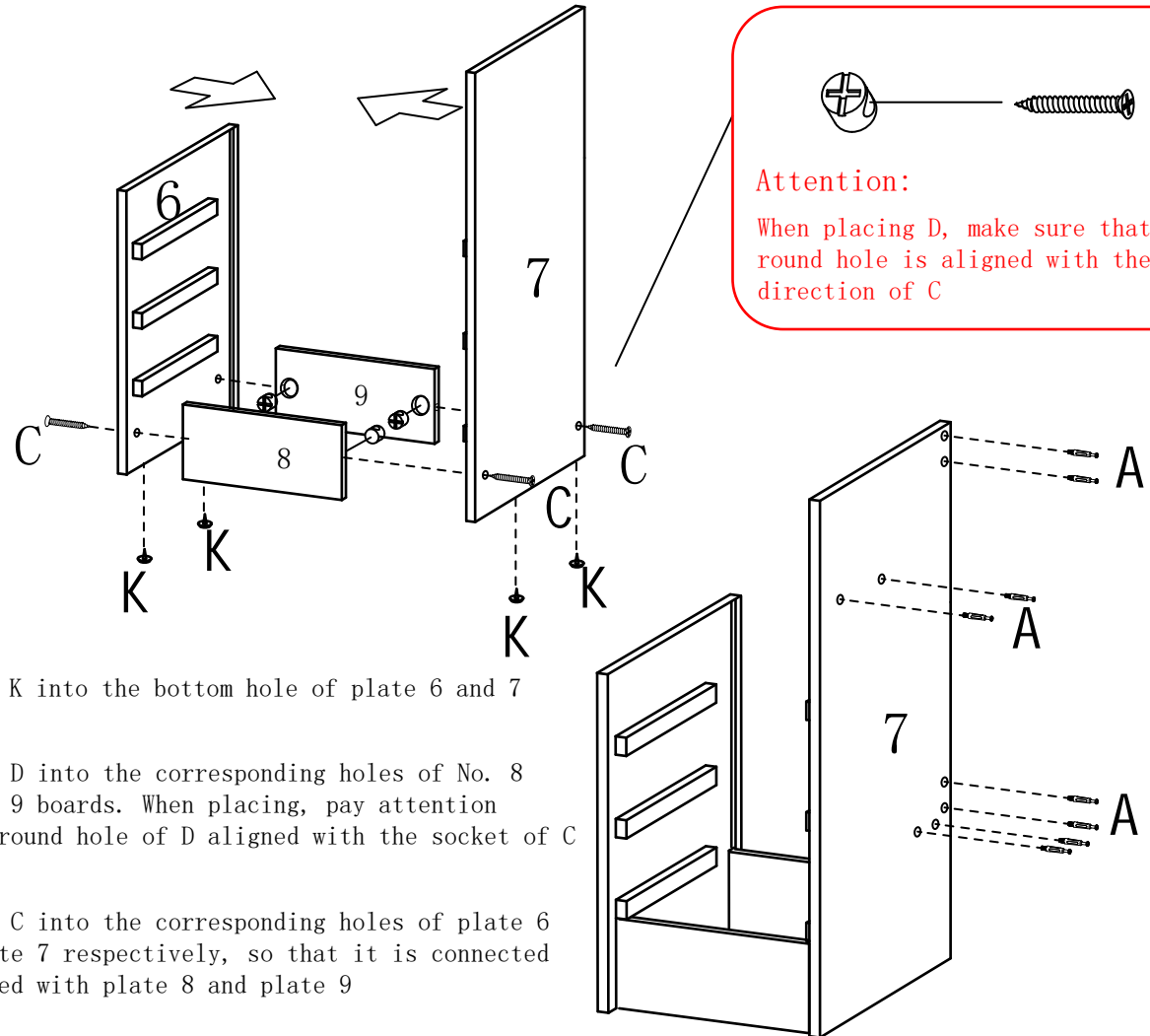
Plastic plug

4 PCS



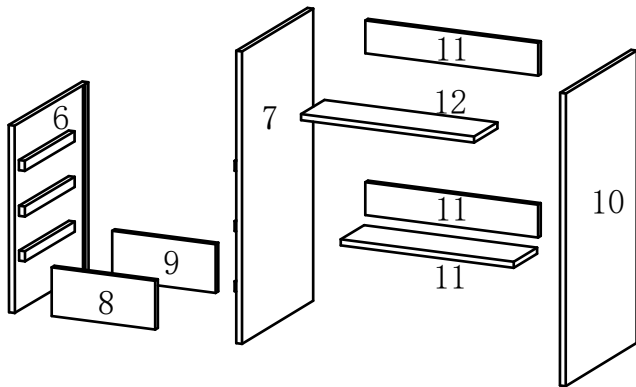
Cabinet shoe

4 PCS

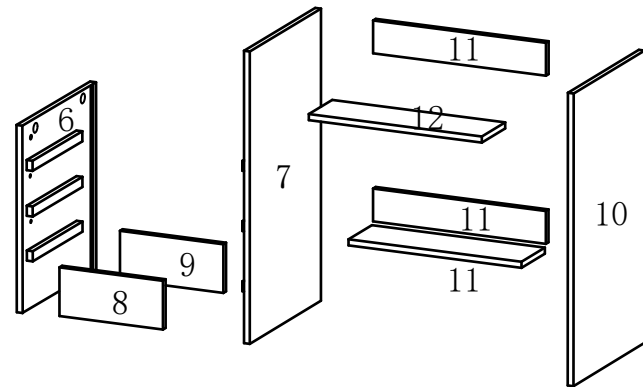
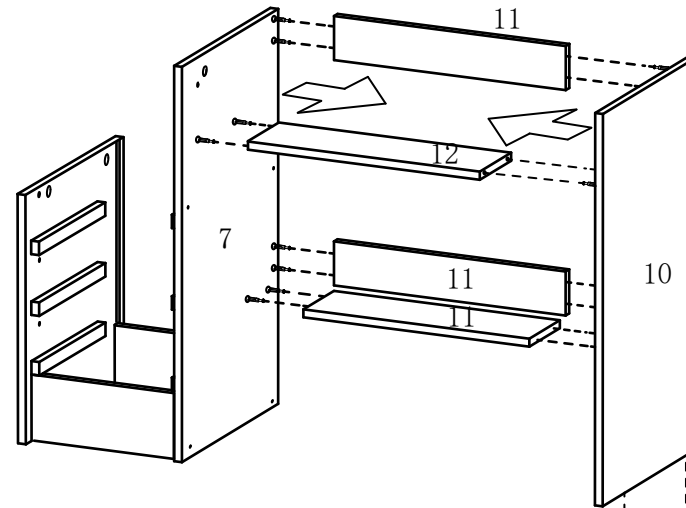
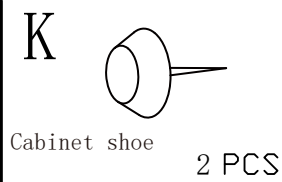
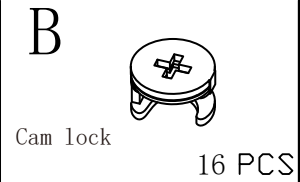
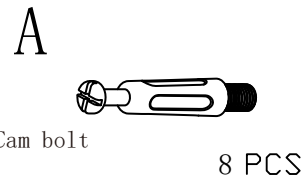
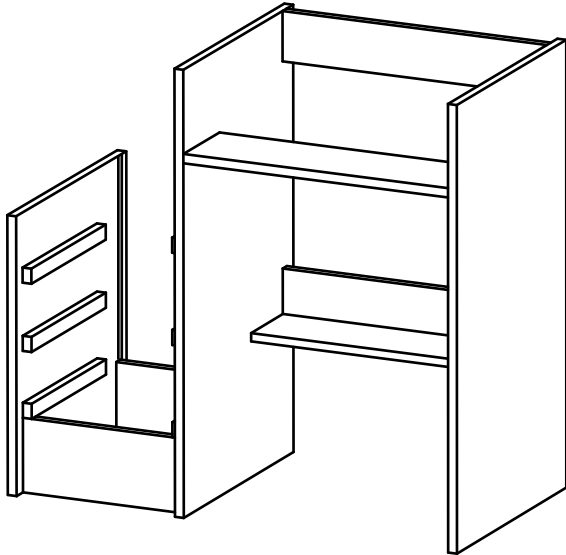


**Attention:**  
When placing D, make sure that the round hole is aligned with the direction of C

1. Punch K into the bottom hole of plate 6 and 7
2. Place D into the corresponding holes of No. 8 and No. 9 boards. When placing, pay attention to the round hole of D aligned with the socket of C
3. Punch C into the corresponding holes of plate 6 and plate 7 respectively, so that it is connected and fixed with plate 8 and plate 9



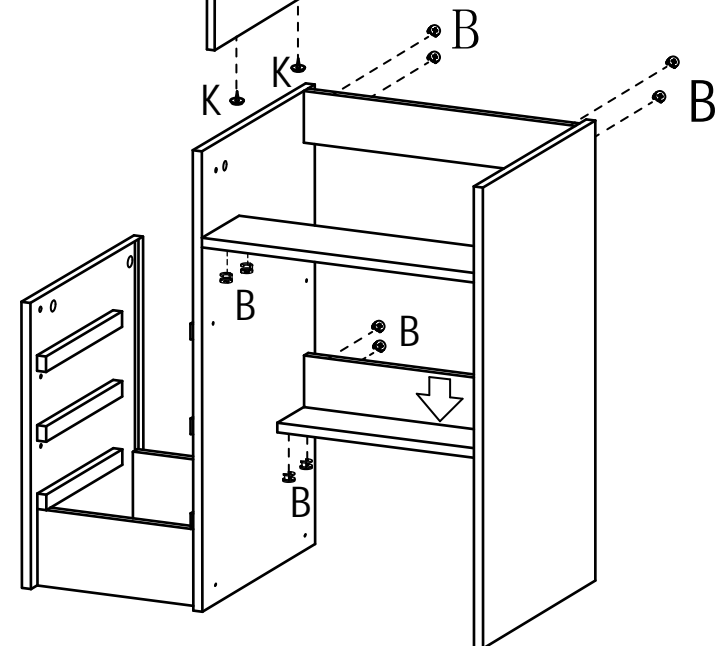
Second install the cabinet.

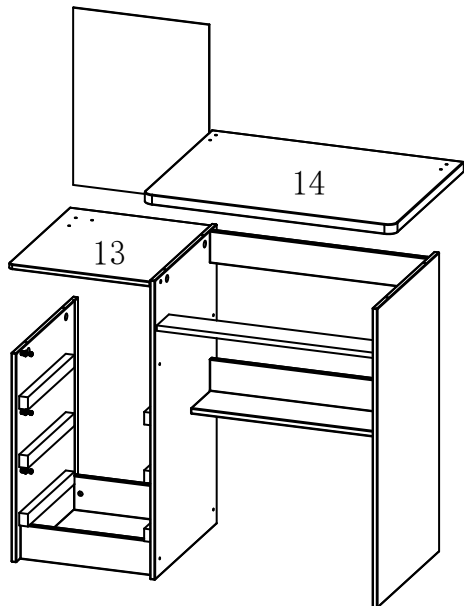
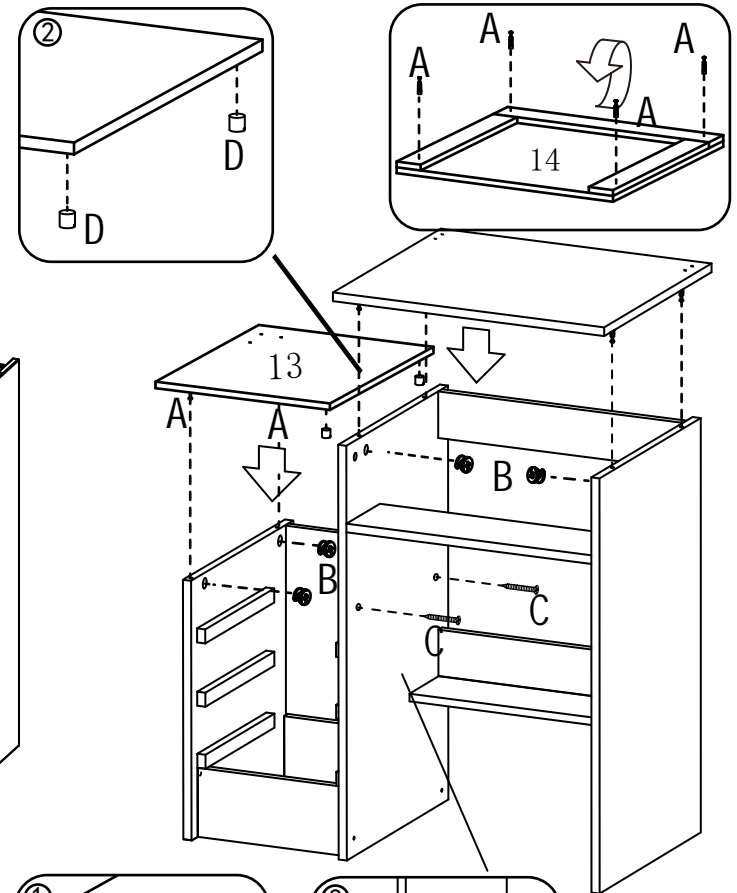
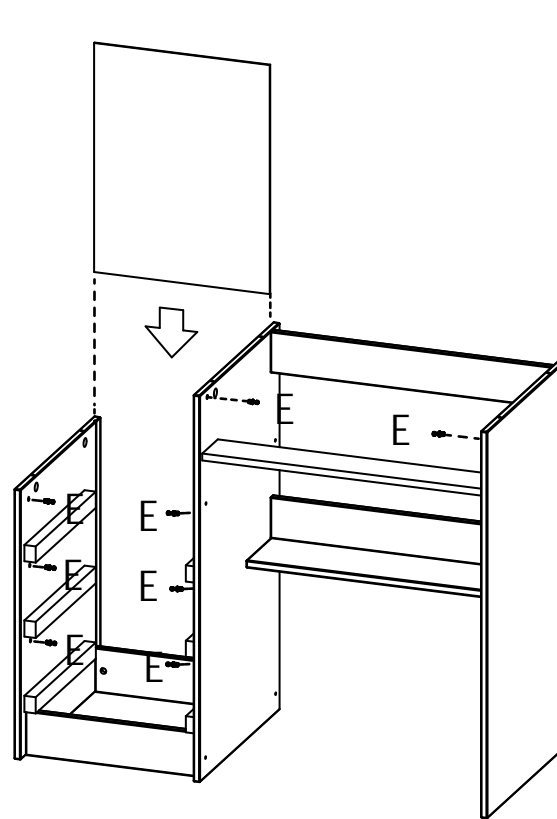
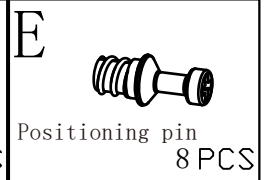
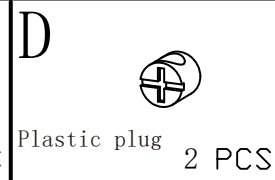
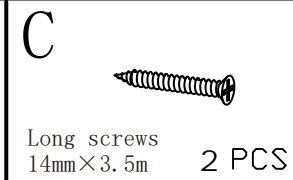
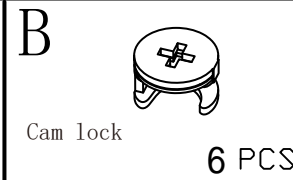
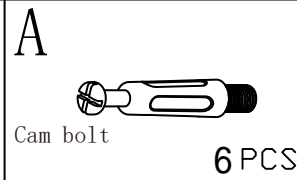
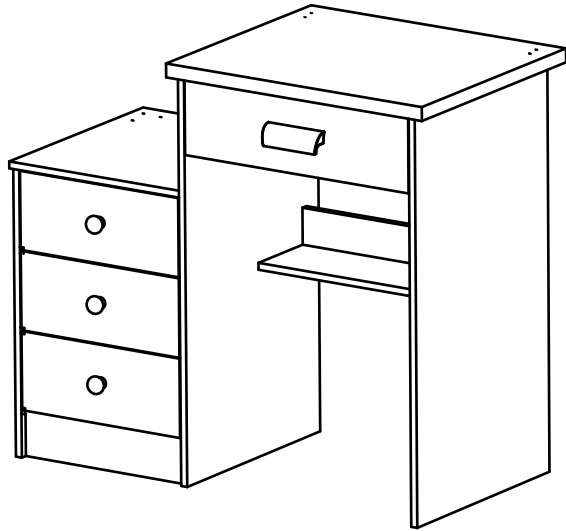


1. Use A to connect the part installed in the previous step with plates 10, 11 and 12

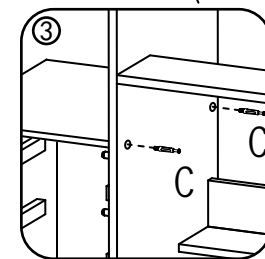
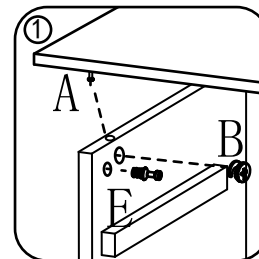
During installation, it is necessary to pay attention to the direction of holes in two No. 11 boards facing backward, and the direction of holes in one No. 11 board and No. 12 board facing downward

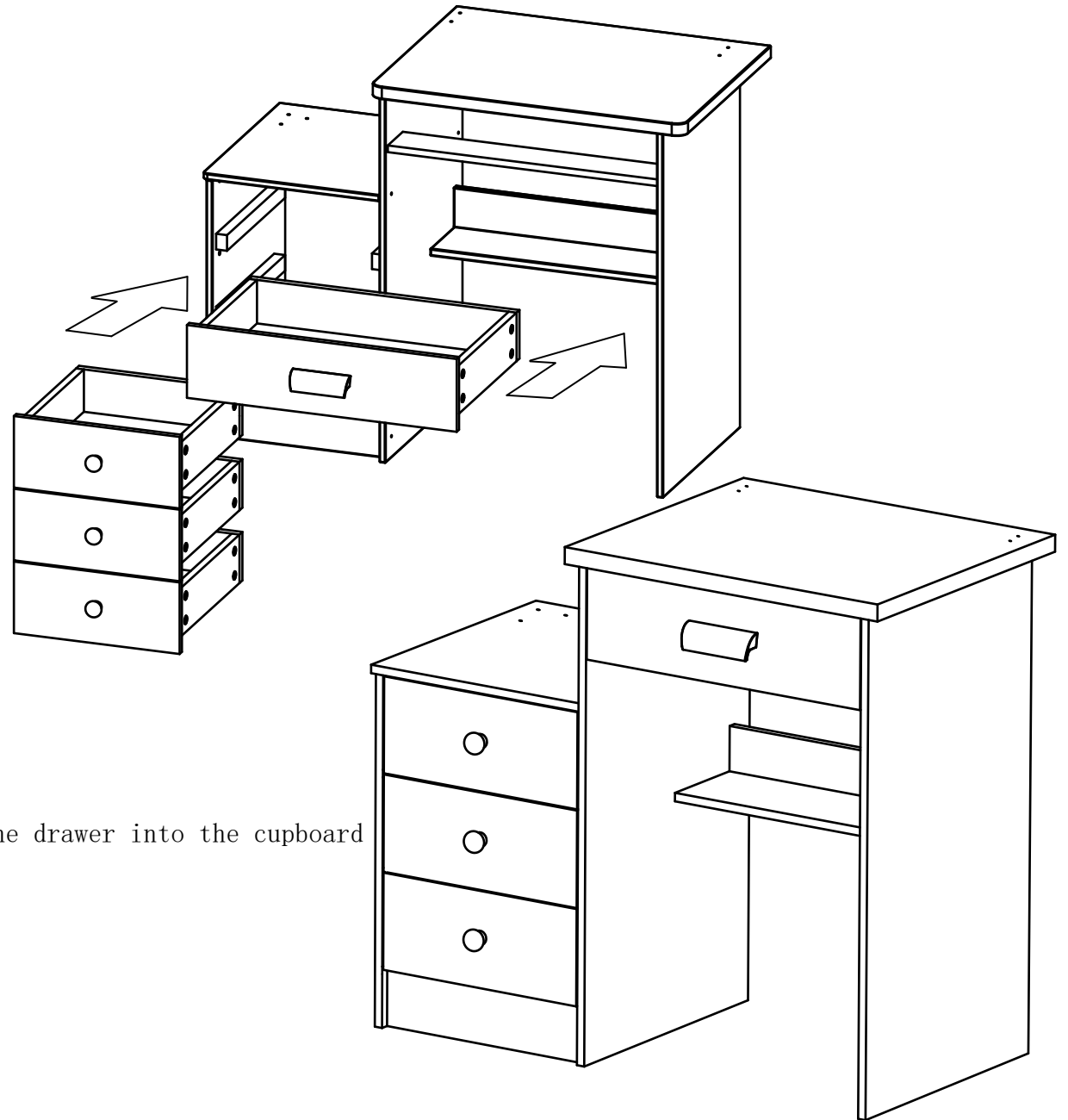
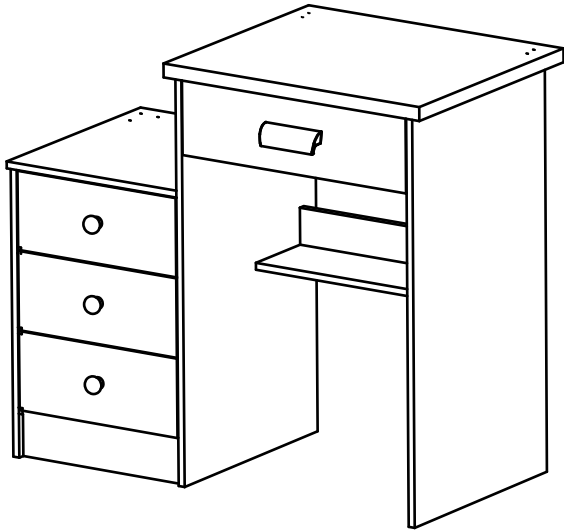
2. Use B to lock A



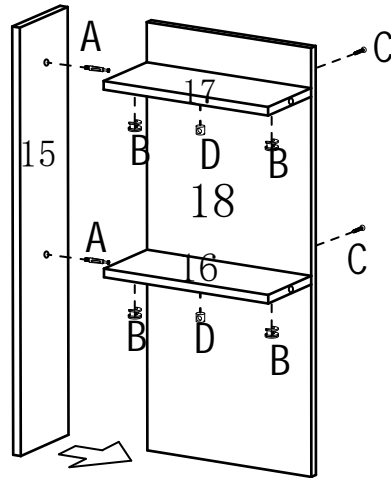
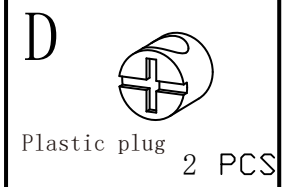
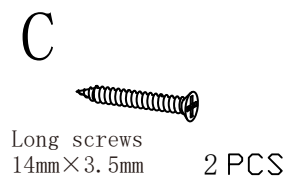
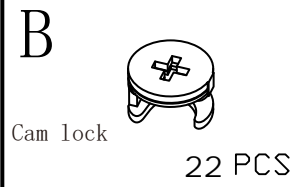
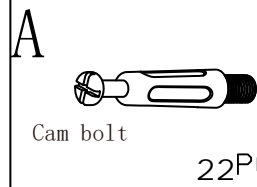
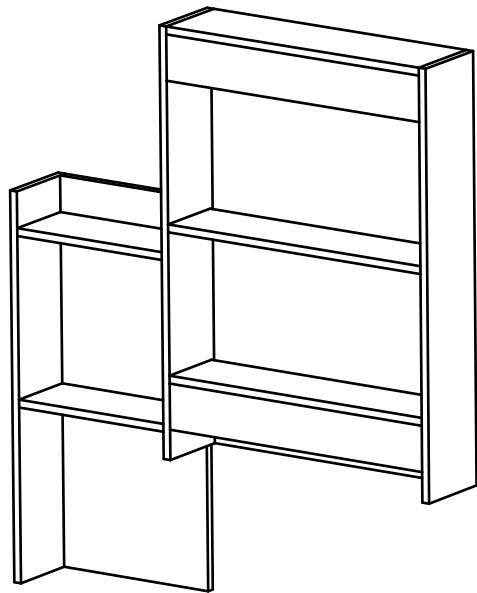


1. Insert the sheet of corresponding size into the slot of No. 6, 7 and 9 plate
2. Place E in the corresponding holes of plate 6, 7 and 10
3. Use A to connect plate 13 and 14 with the part installed in the previous step, and then use B to lock A and fix it
4. Use C to punch into the hole corresponding to plate 7 to fix plate 13

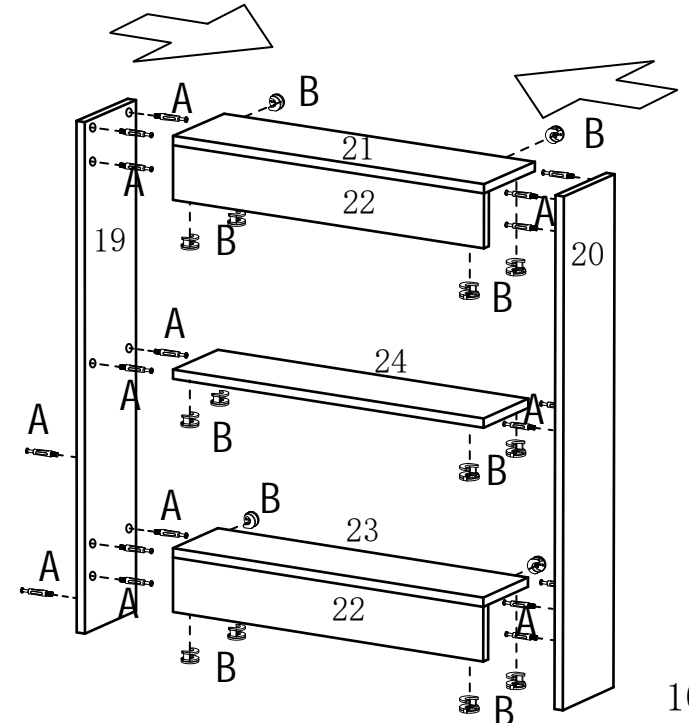
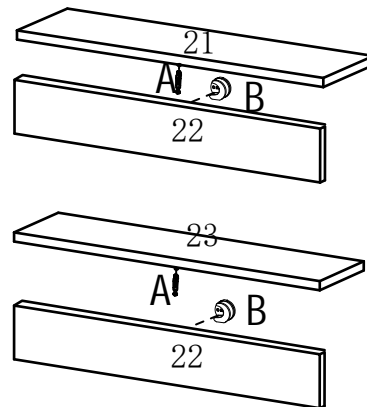
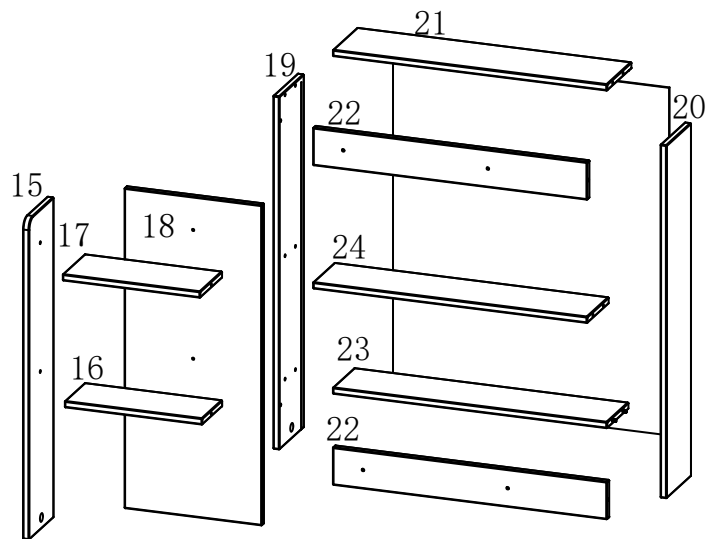


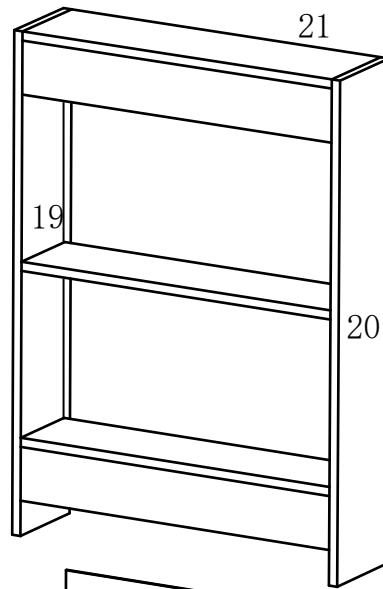
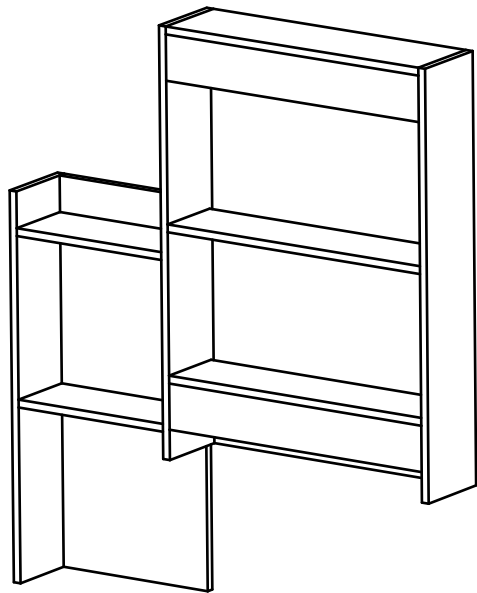


Push the drawer into the cupboard

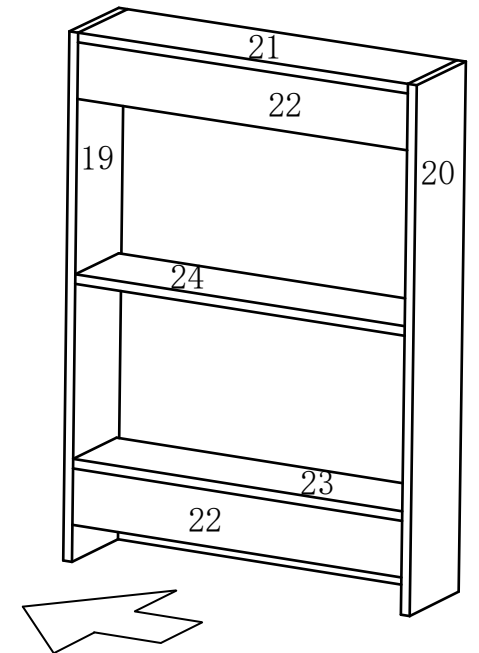
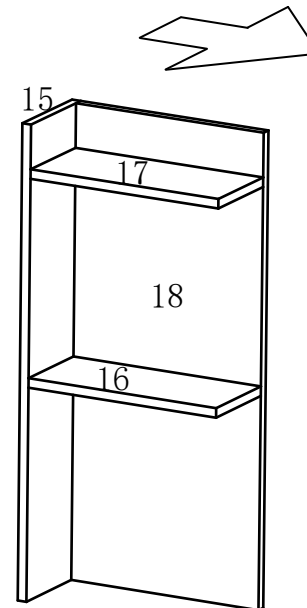
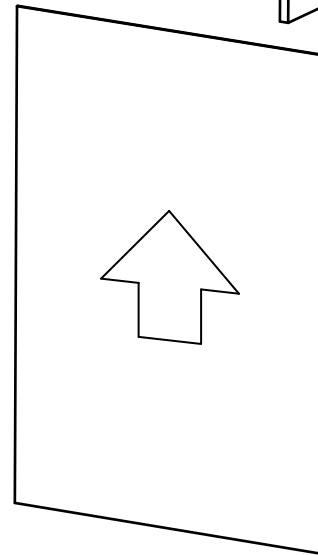
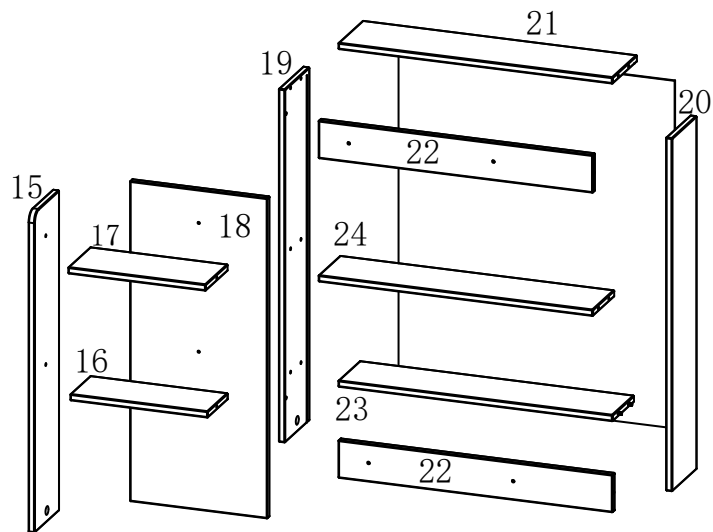


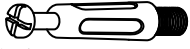
1. Place D into the corresponding hole of plate 16, 17  
When placing, note that the round hole of D needs to be aligned with the jack direction of C
2. Fix plate 16,17 in front of plate 18 with C
3. Connect plate 15 with plate 16, 17 and plate 18 with A, and lock plate A with B








Insert the corresponding size sheet into the slot of plate 19, 20 and 21

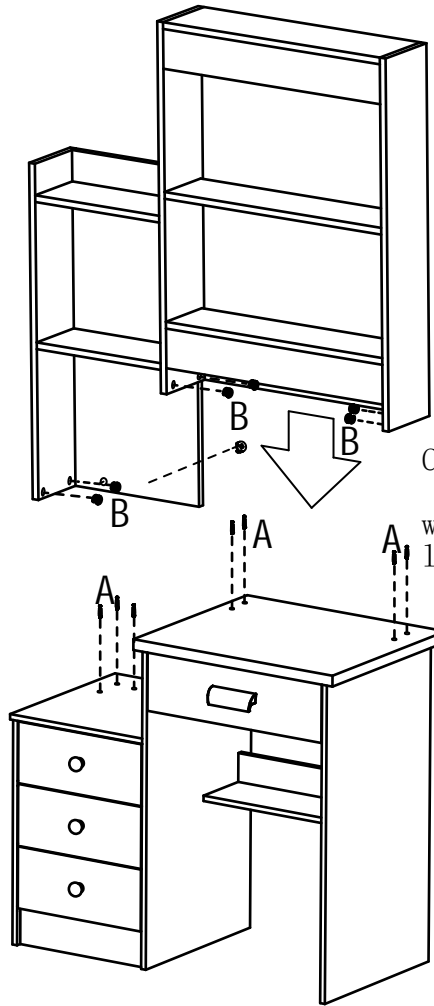
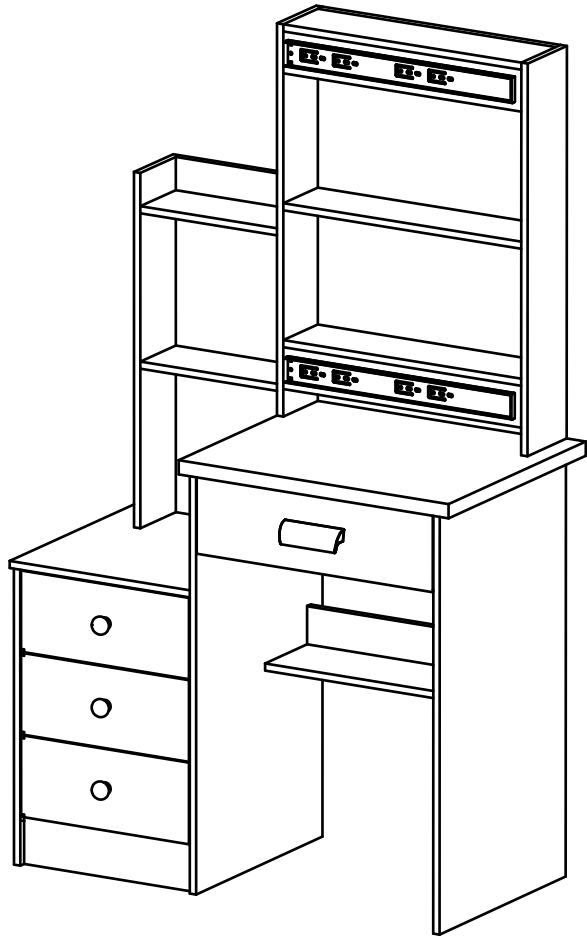


**A**  
  
 Cam bolt 7 PCS

**B**  
  
 Cam lock 7 PCS

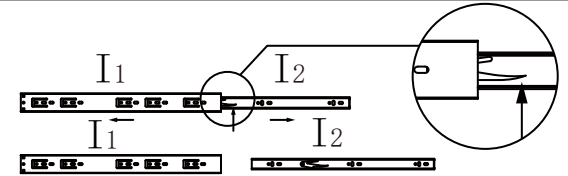
**G**  
  
 Short screws 10mm×7mm 4PCS

**I**  
  
 Drawer rails 2PCS

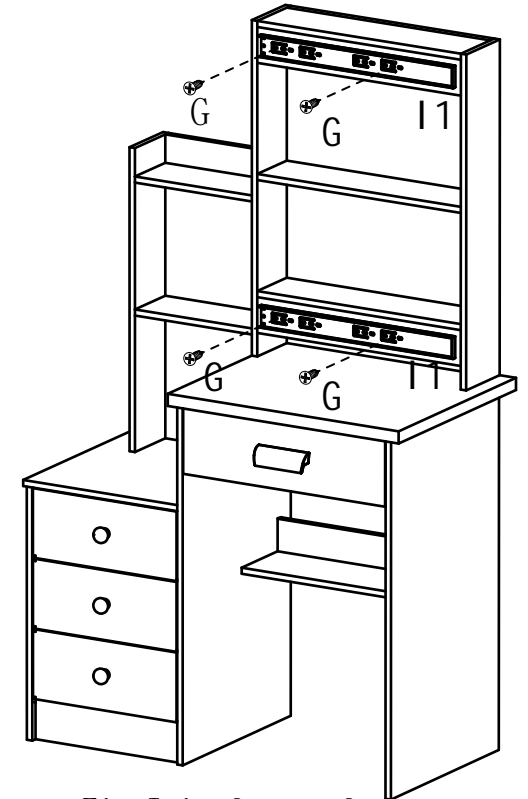


Connect the upper and lower parts with A, and then lock A with B

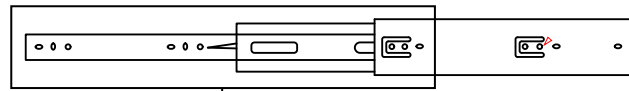
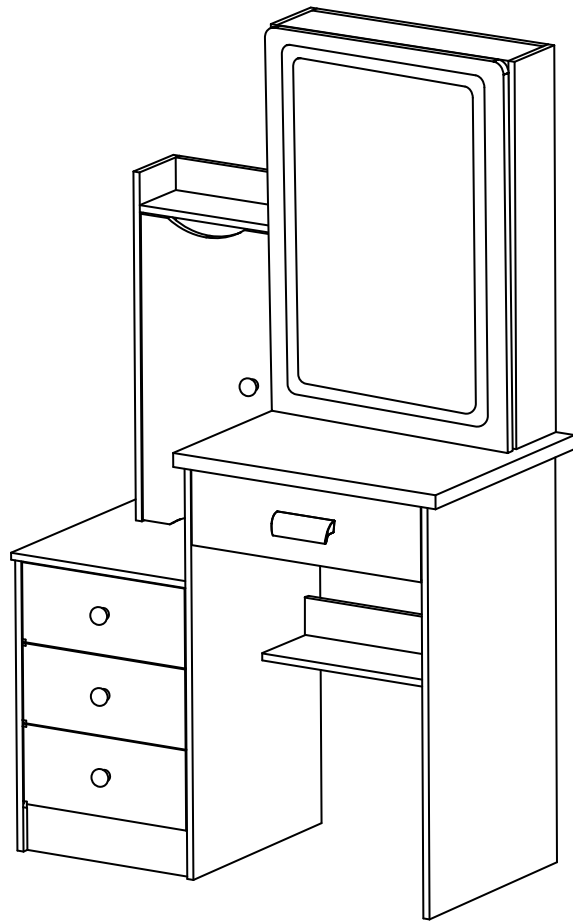
It is recommended to turn it over and install it flat on the ground



Drawer rails Press the arrow to toggle the buckle, and then pull out the track.



Fix I in front of No. 22 board with G

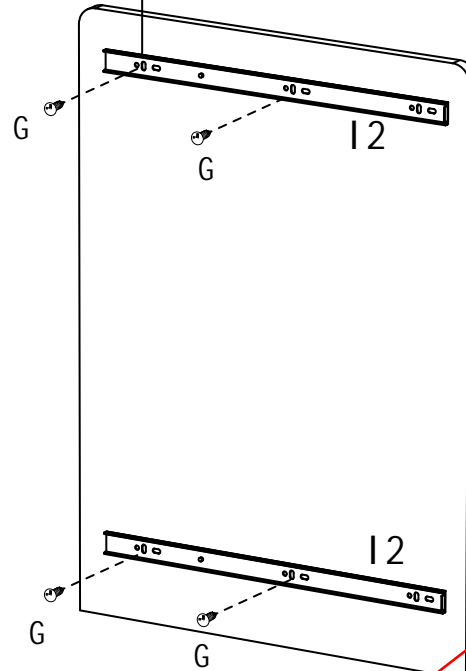


G

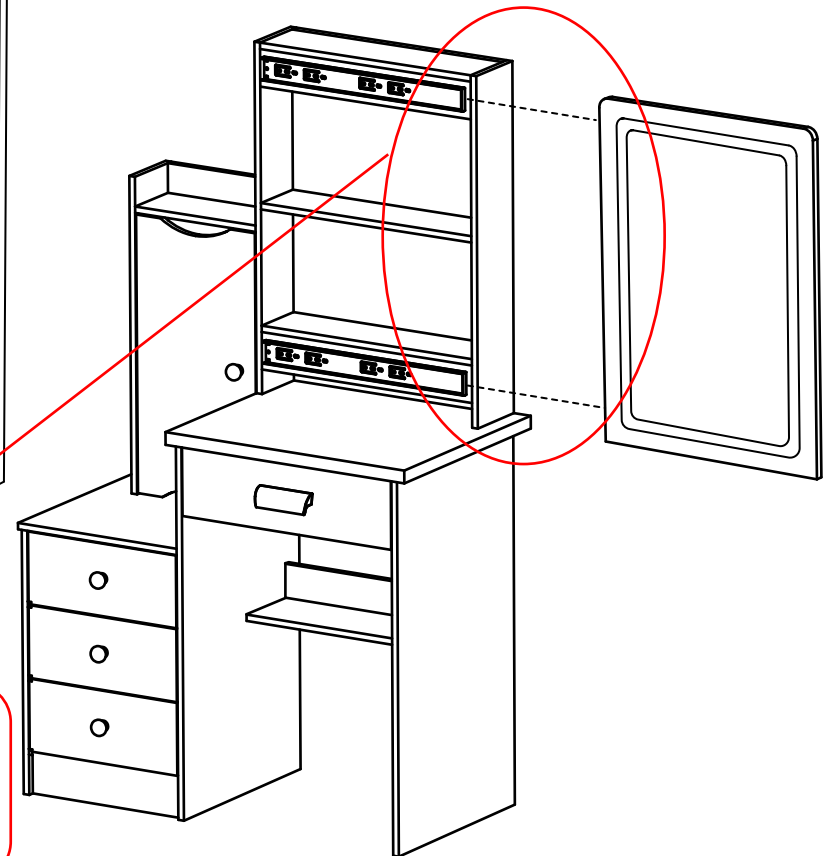


Short screws  
10mm×7mm

4PCS

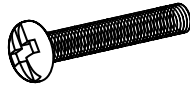



Align the slide rail of plate 26 with the slide way and push it forward

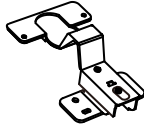


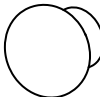
**Attention:**

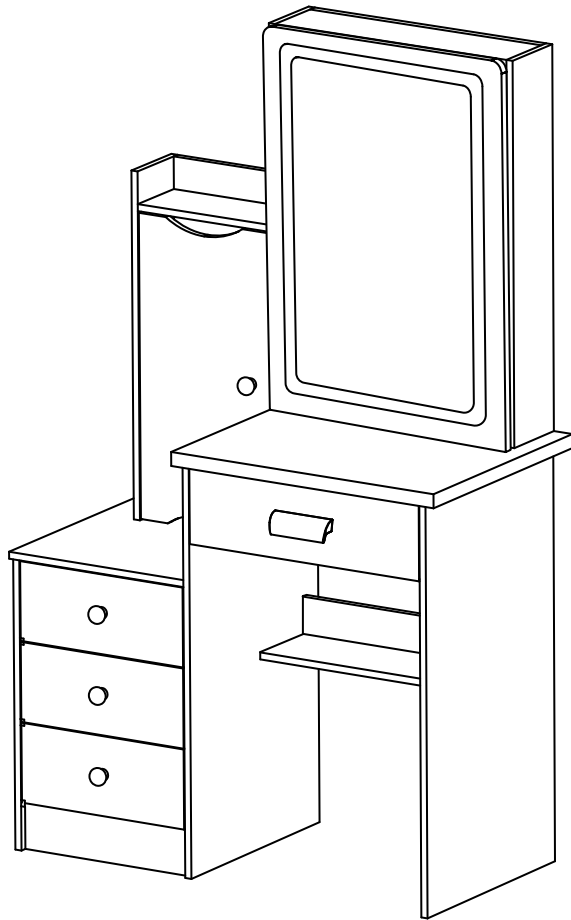
The slide rail should be inserted in line with the slide way

**F**  
  
 Screw  
 20mm×8mm  
 1 PCS

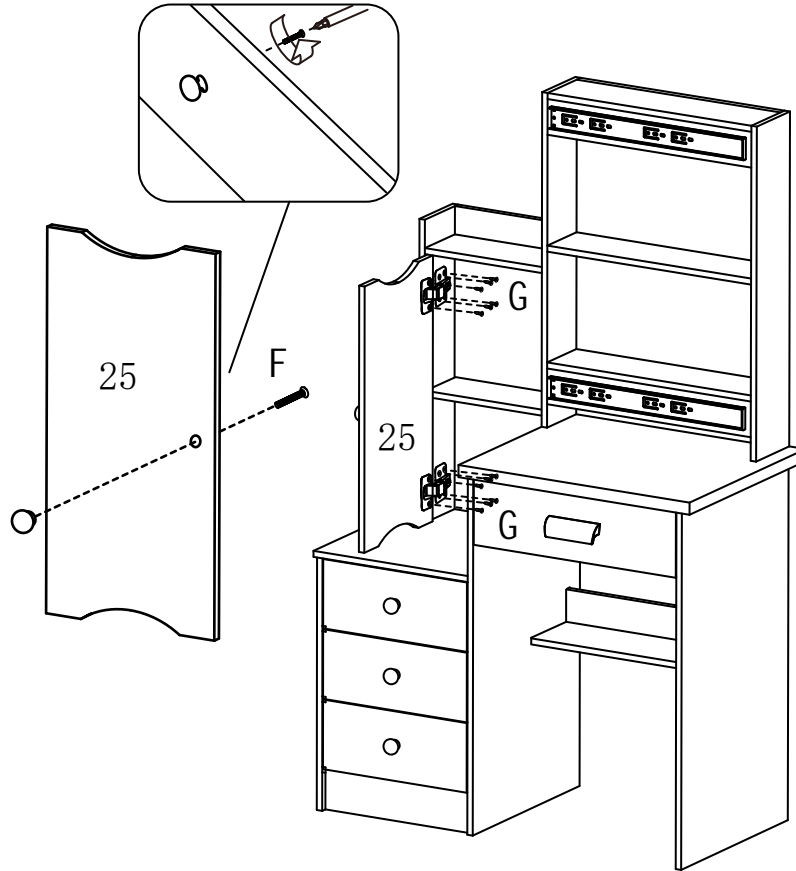
**G**  
  
 Short screws  
 10mm×7mm  
 12 PCS

**J**  
  
 Hinge  
 2 PCS

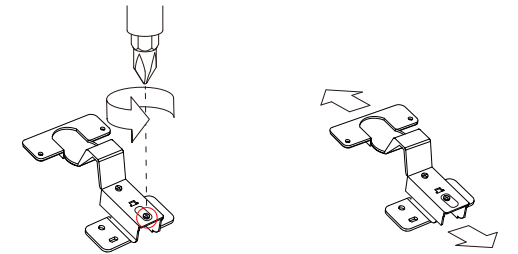
**L**  
  
 Handle I  
 1 PCS



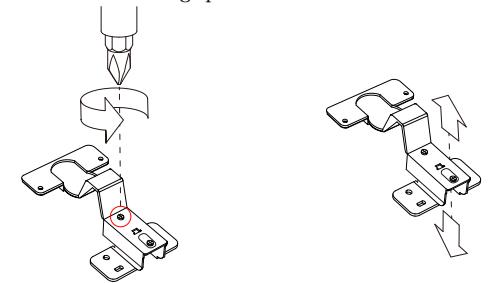
Leave a little space between the cabinet door and the desktop



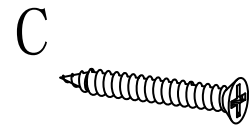
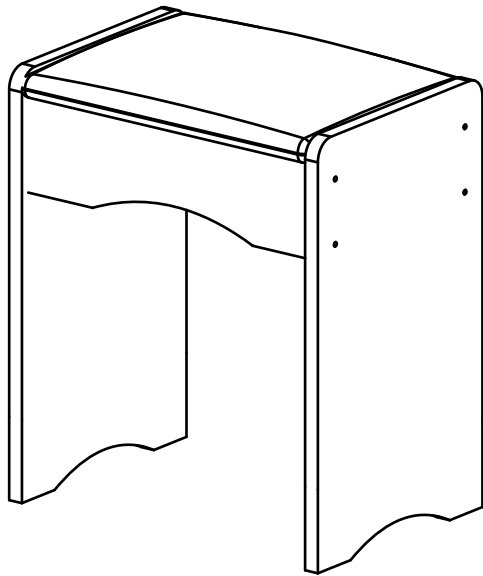
1. Fix L in front of plate 25 with F
2. Fix J on the inner side of No. 25 plate with G



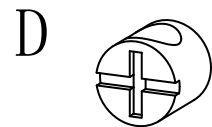
The hinge can be loosened with a screwdriver to control the gap of the door.



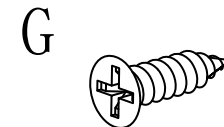
The hinge can be loosened with a screwdriver to control the distance between the door and the side plank.



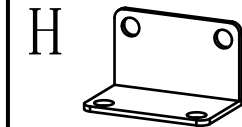
Long screws  
14mm×3.5mm 8 PCS



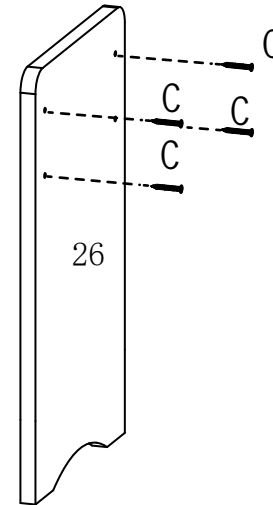
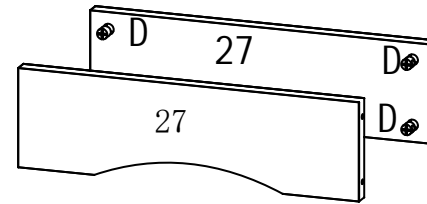
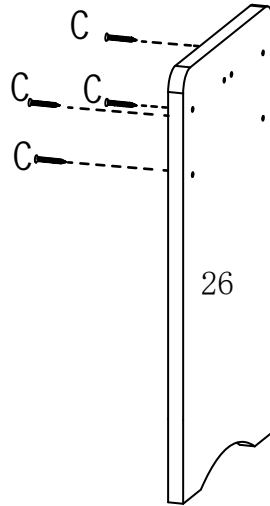
Plastic plug 8 PCS



Short screws  
10mm×7mm 4 PCS

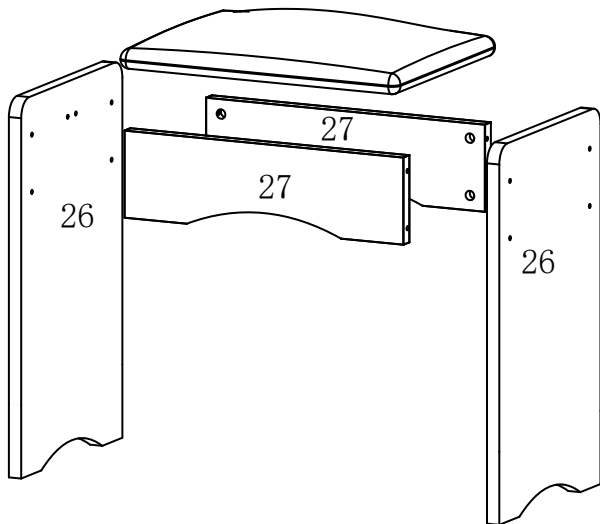


Comer connection  
2 PCS



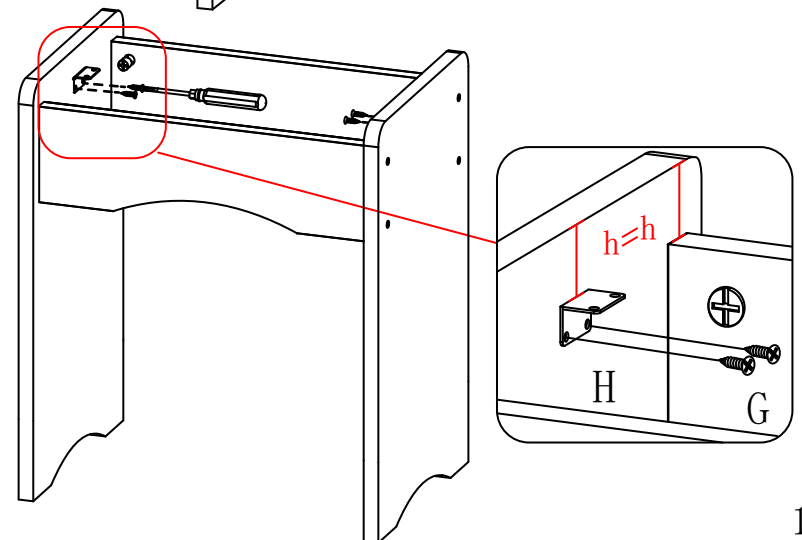
1. Place D in the hole corresponding to plate 27

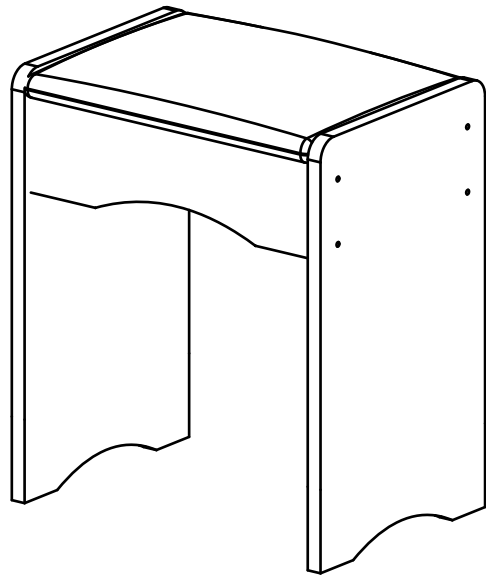
When placing, pay attention to align the round hole of D with the socket of C



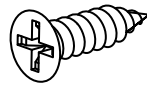
2. Use A to punch into the corresponding holes of the two No. 26 plates to connect them with the two No. 27 plates

3. Fix H on the inside of plate 26 with G



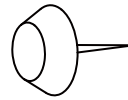


G

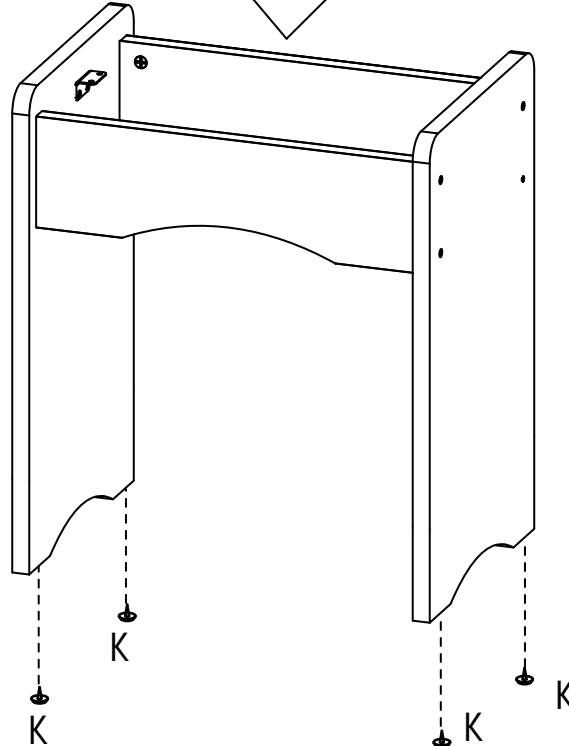
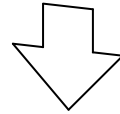
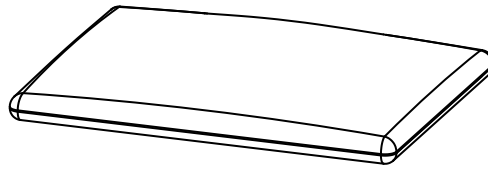


Short screws  
10mm×7mm 4 PCS

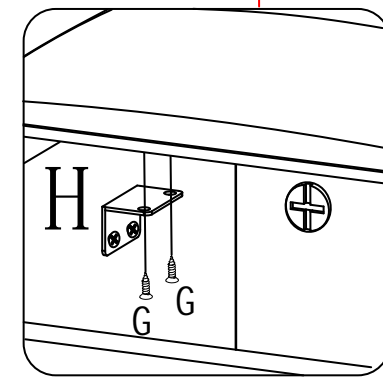
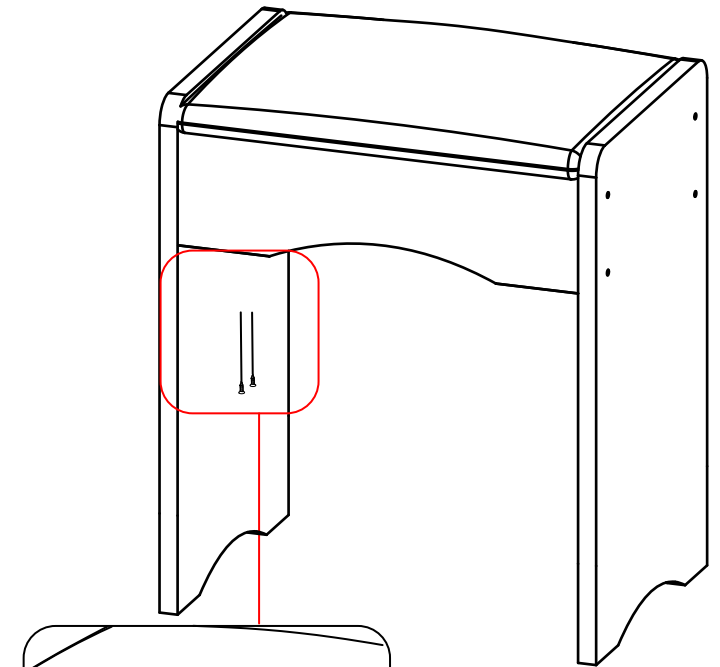
K



Cabinet shoe 4 PCS



Punch K into the corresponding hole at the bottom of two 26 plates



Use G to punch into the hole corresponding to H to fix it with soft roll

