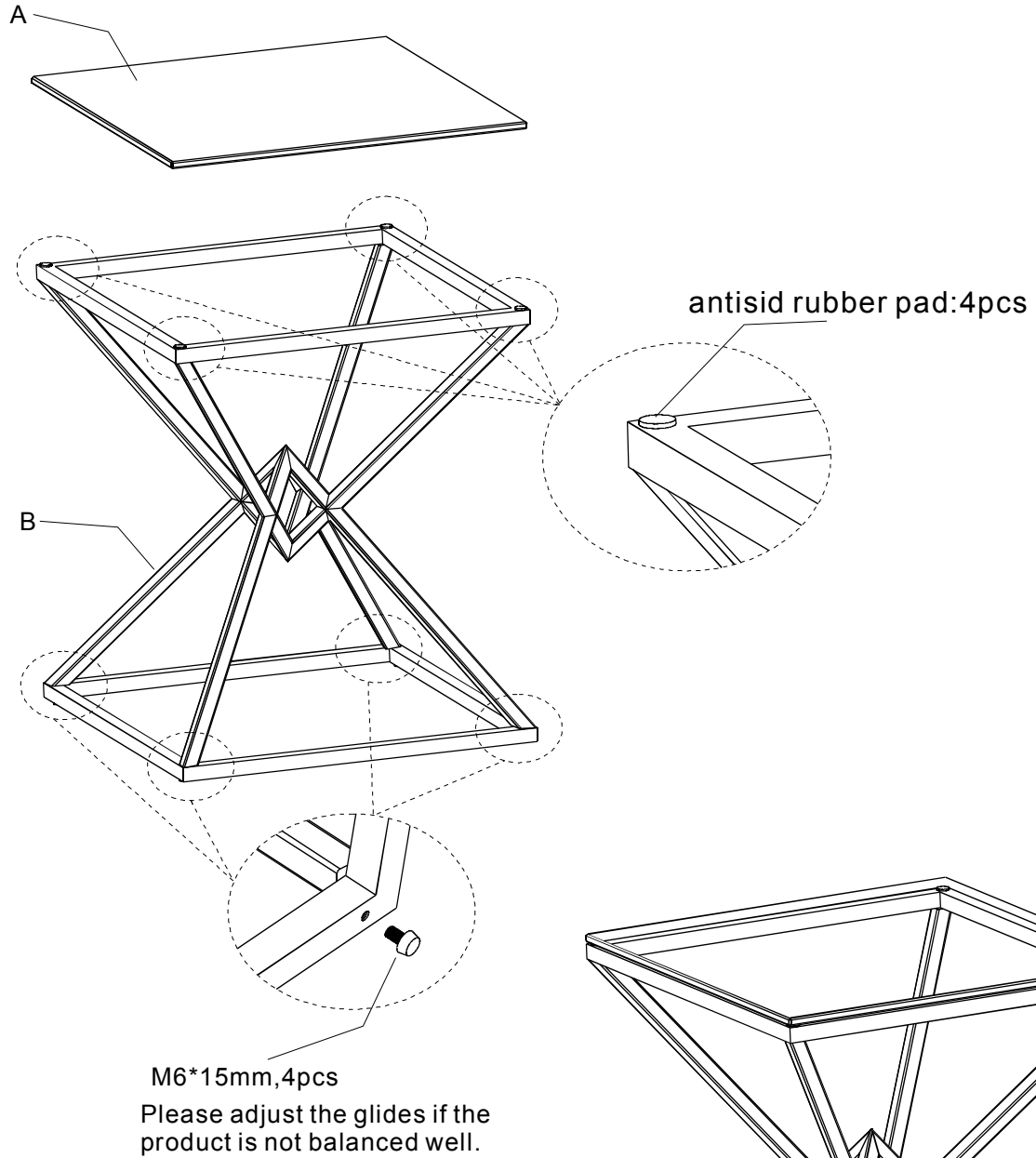
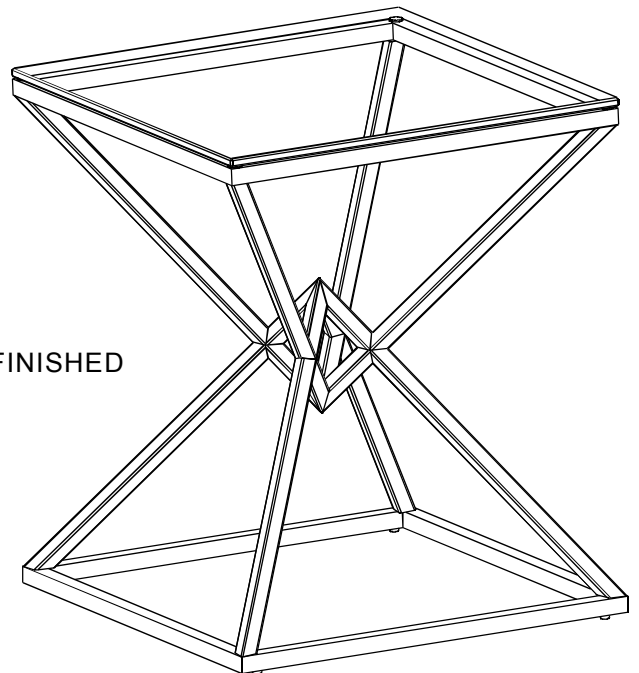


ASSEMBLY INSTRUCTION

THANK YOU FOR PURCHASING THIS QUALITY PRODUCT.
BE SURE TO CHECK ALL PACKING MATERIAL CAREFULLY FOR SMALL PARTS
THAT MAY HAVE COME LOOSE INSIDE THE CARTON DURING TRANSIT.



FINISHED



MADE IN CHINA

PART LIST

NO.	DESC	SIZE(MM)	SKETCH	QTY
A	TOP	500*500*10		1PC
B	BASE	498*498*590		1PC