

ASSEMBLY INSTRUCTIONS



2PC NESTING COFFEE TABLE

ASSEMBLY INSTRUCTIONS

ASSEMBLY TIPS:

1. Remove hardware from box and sort by size.
2. Please check to see that all hardware and parts are present prior to start of assembly.
3. Please follow attached instructions in the same sequence as numbered to assure fast & easy assembly.



WARNING!

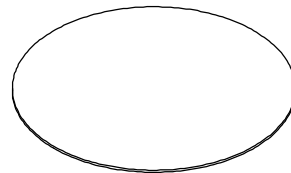
1. Don't attempt to repair or modify parts that are broken or defective. Please contact the store immediately.
2. This product is for home use only and not intended for commercial establishments.

ASSEMBLY TIME 35 MINUTES

PARTS IDENTIFICATION

AN

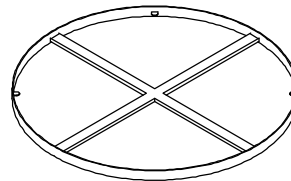
LARGE MIRROR



1PC

B

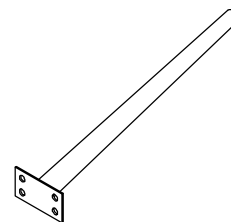
LARGE TOP FRAME



1PC

C

LARGE LEG



4PCS

DN

SMALL MIRROR

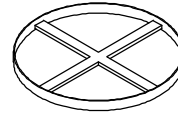


1PC

ASSEMBLY INSTRUCTIONS

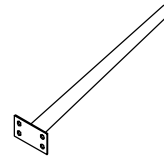
PARTS IDENTIFICATION

E SMALL TOP FRAME



1PC

F SMALL LEG



4PCS

ZN

HARDWARE IDENTIFICATION

1 BOLT
(1/4" x 12mm SR)



32PCS

3 SUCTION CUP



8PCS

2 CAP
(Ø12mm BLK)



8PCS

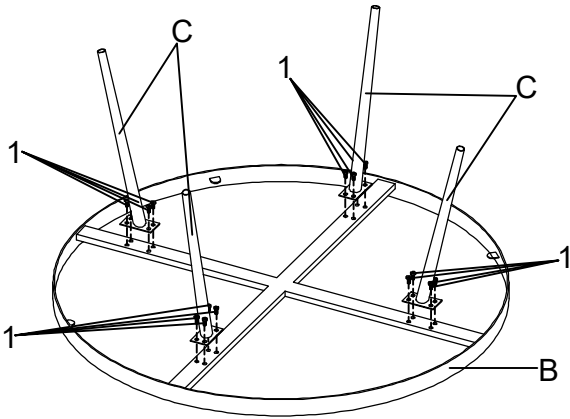
4 ALLEN WRENCH
(4mm)



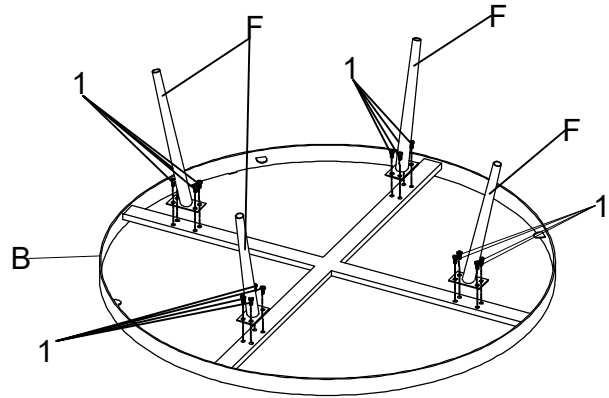
1PC

ASSEMBLY INSTRUCTIONS

STEP 1 Do not tighten until each step is completed or instructed.

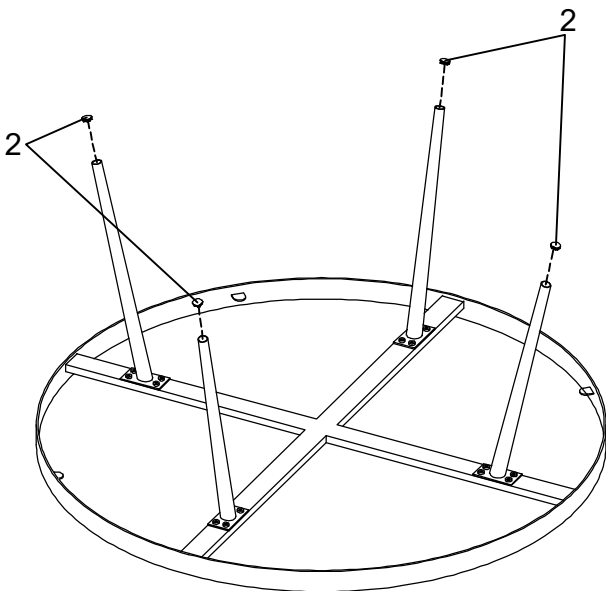


OPTION1

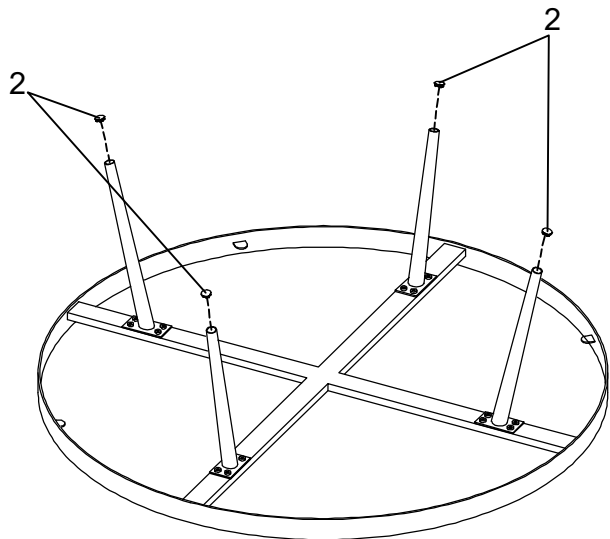


OPTION2

STEP 2



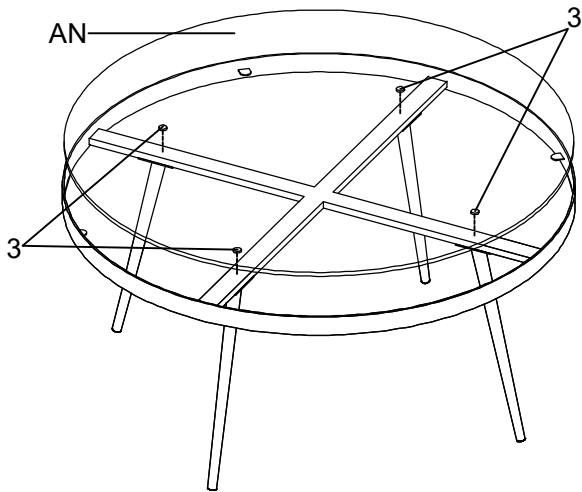
OPTION1



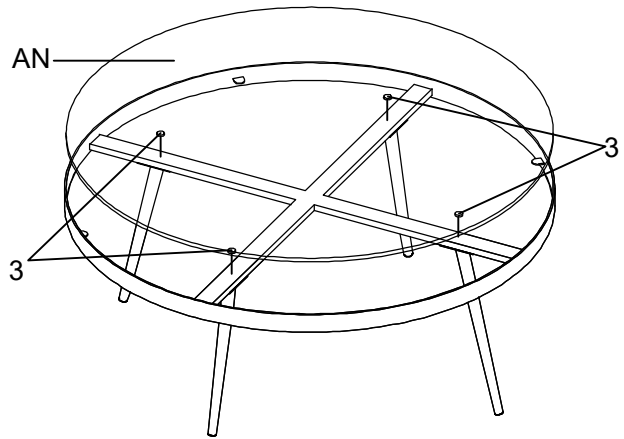
OPTION2

ASSEMBLY INSTRUCTIONS

STEP 3



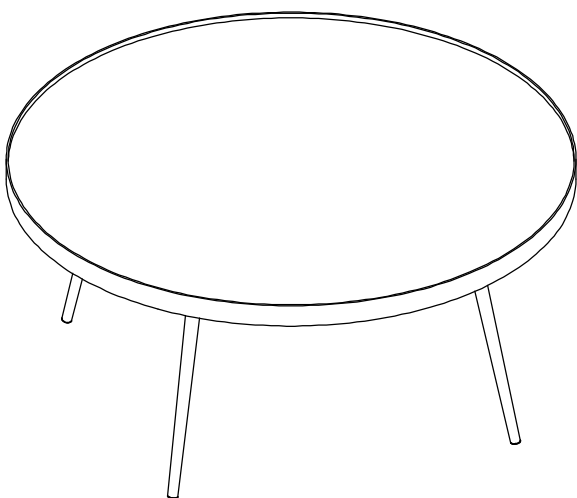
OPTION1



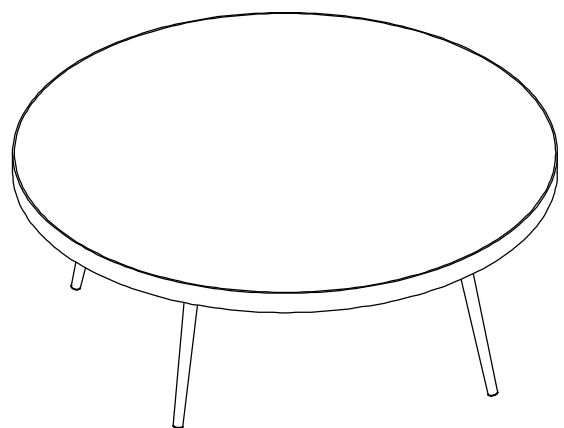
OPTION2

STEP 4

COMPLETE



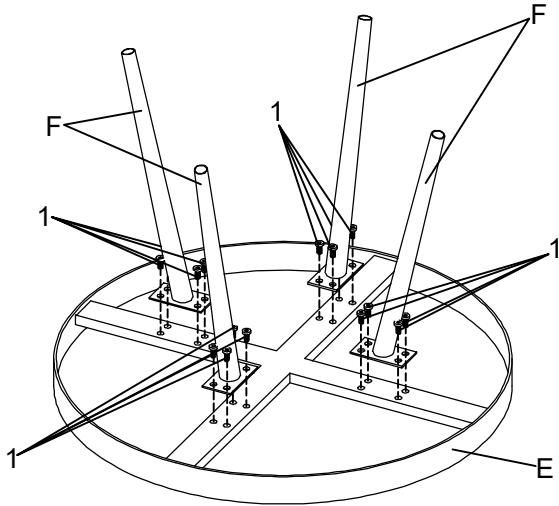
OPTION1



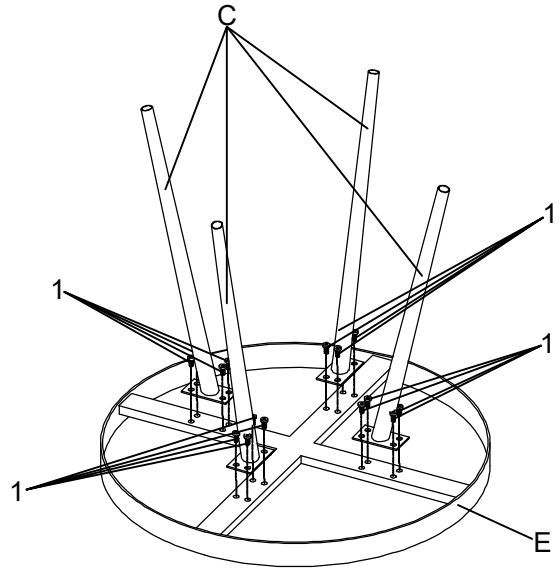
OPTION2

ASSEMBLY INSTRUCTIONS

STEP 5

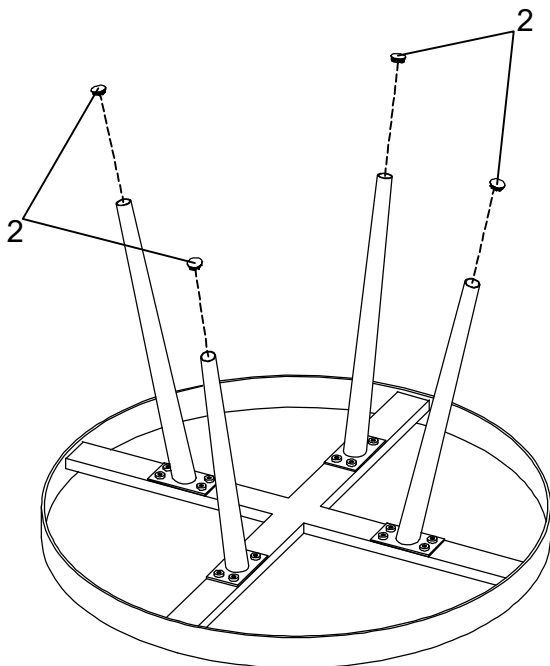


OPTION1

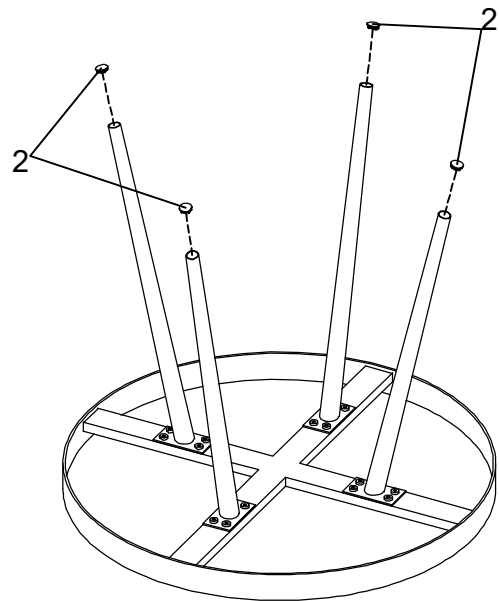


OPTION2

STEP 6



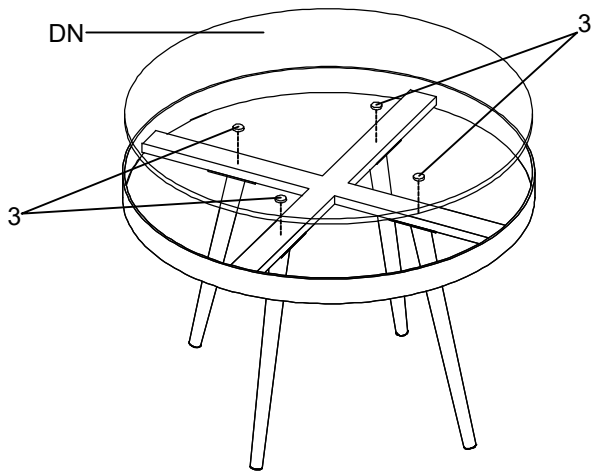
OPTION1



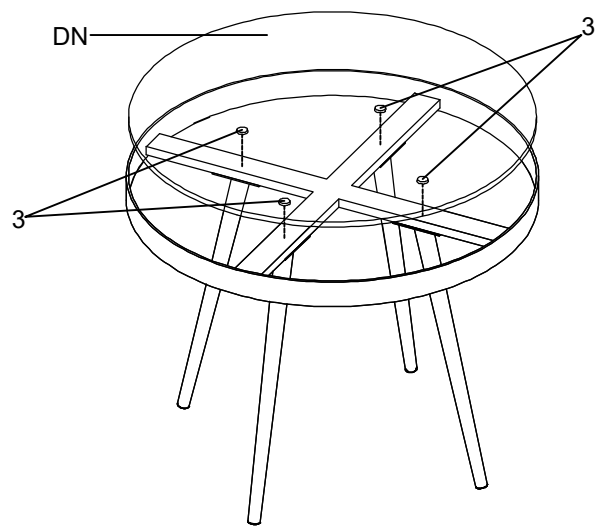
OPTION2

ASSEMBLY INSTRUCTIONS

STEP 7



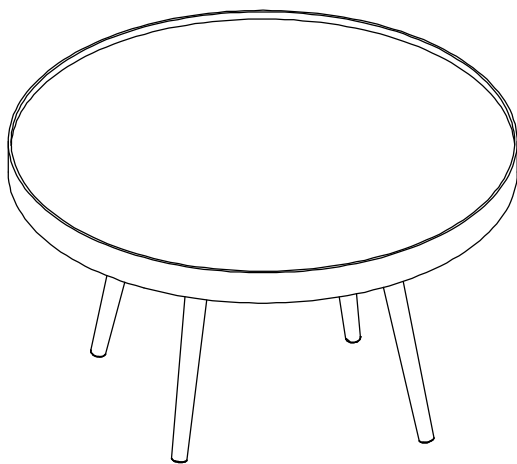
OPTION1



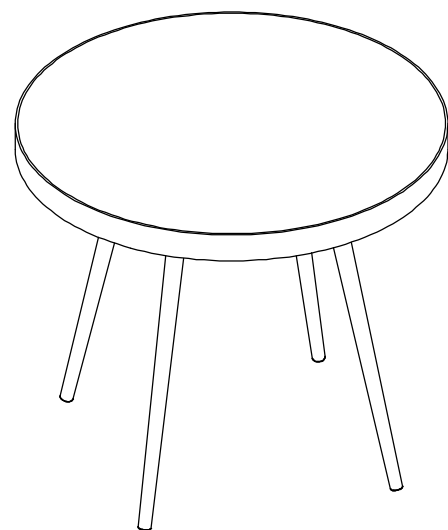
OPTION2

STEP 8

COMPLETE



OPTION1



OPTION2

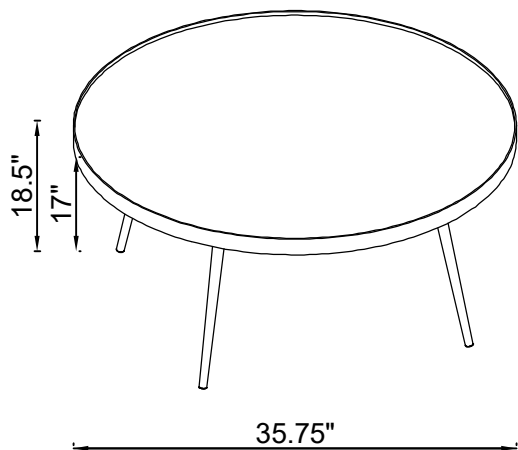
ASSEMBLY INSTRUCTIONS

Product Size : 908 DIA X 470 H (MM)

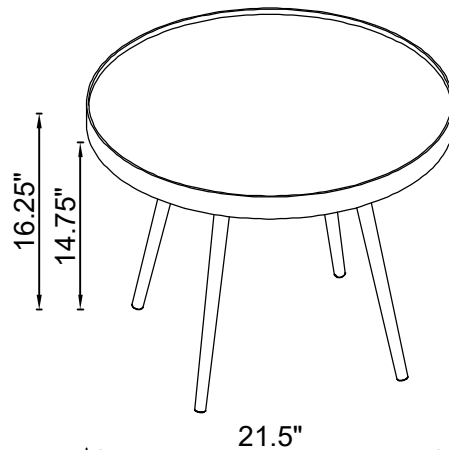
Product Size : 35.75" DIA X 18.5"

Product Size : 546 DIA X 413 H (MM)

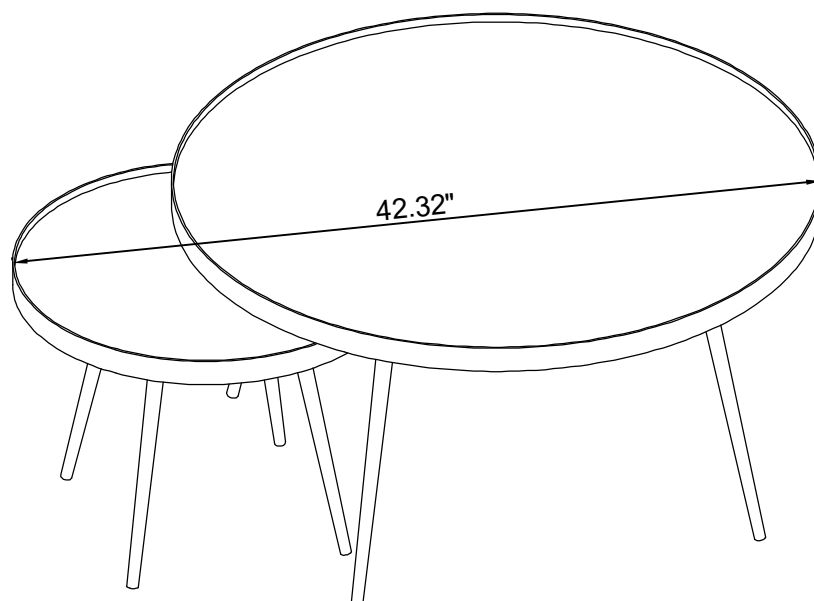
Product Size : 21.5" DIA X 16.25"



OPTION1



OPTION1



Note : Dimension tolerance $\pm 5\%$

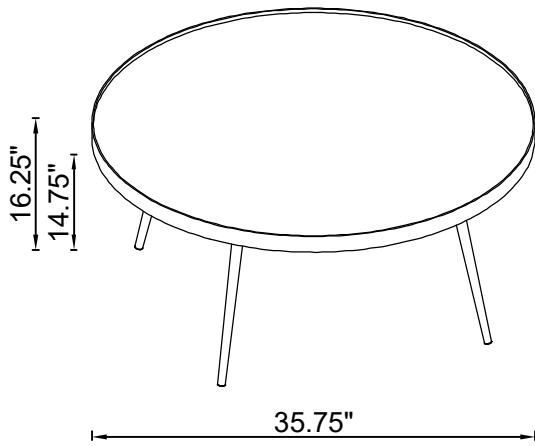
ASSEMBLY INSTRUCTIONS

Product Size : 908 DIA X 413 H (MM)

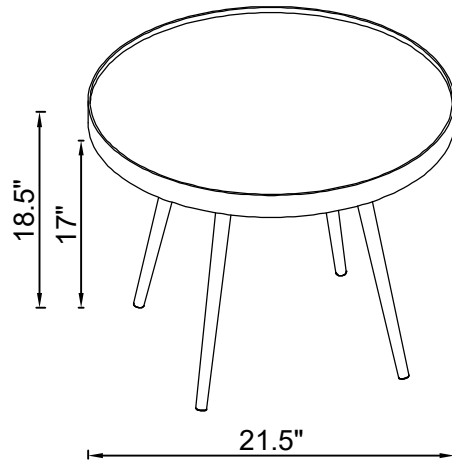
Product Size : 35.75" DIA X 16.25"

Product Size : 546 DIA X 470 H (MM)

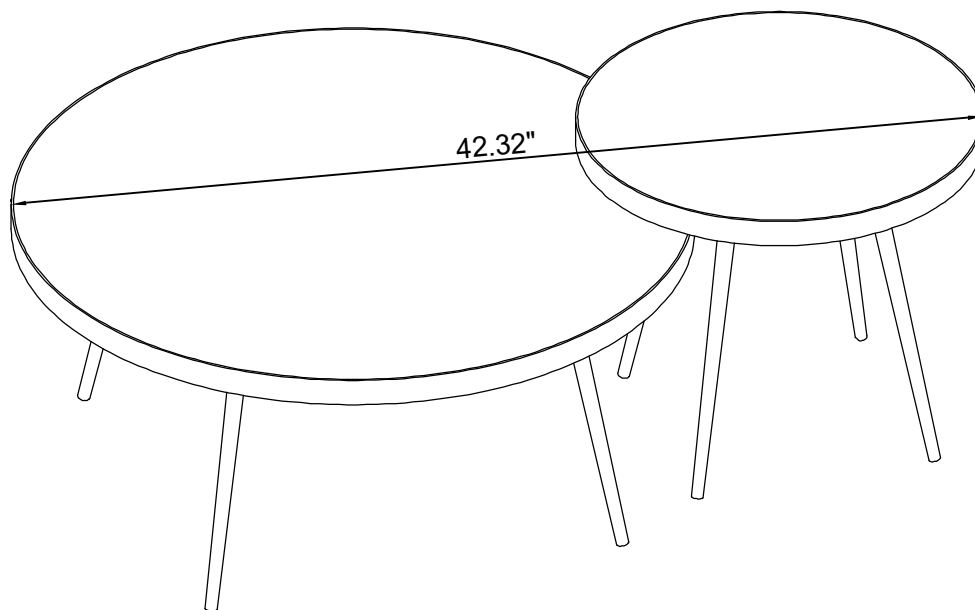
Product Size : 21.5" DIA X 18.5"



OPTION2



OPTION2



Note : Dimension tolerance $\pm 5\%$

OPTION2