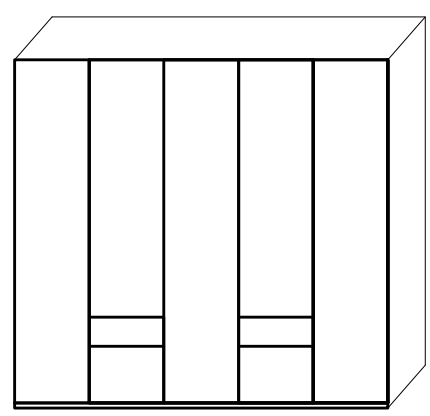
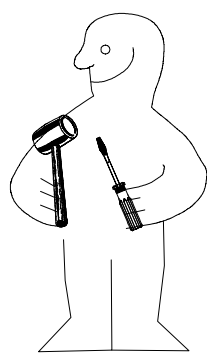
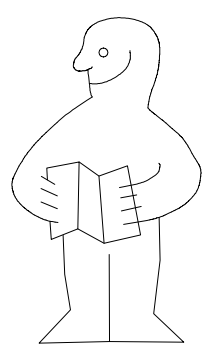
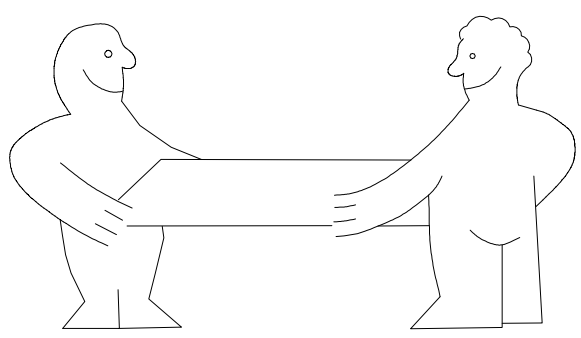
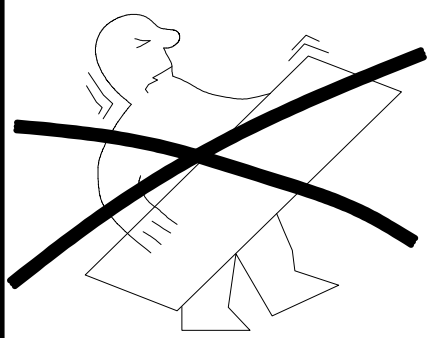


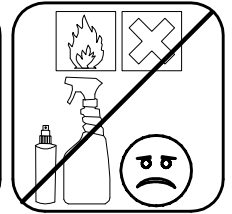
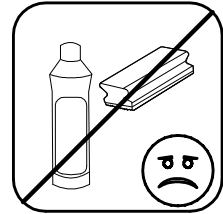
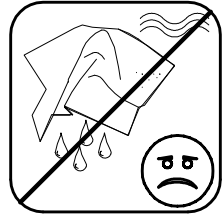
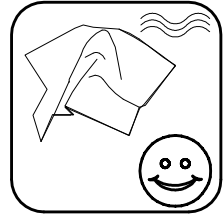
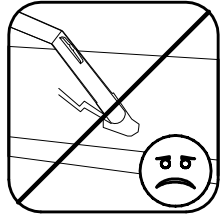
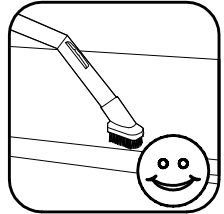
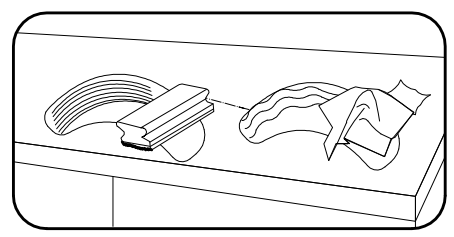
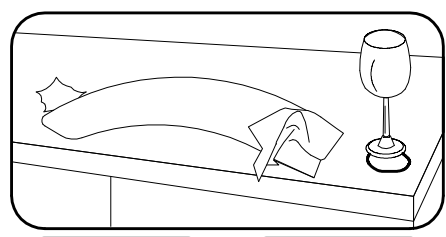
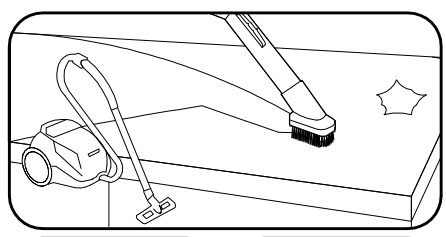
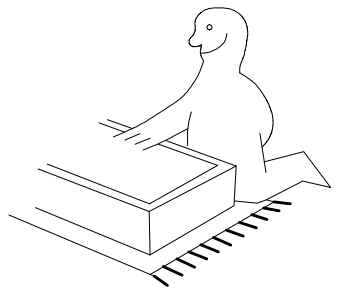
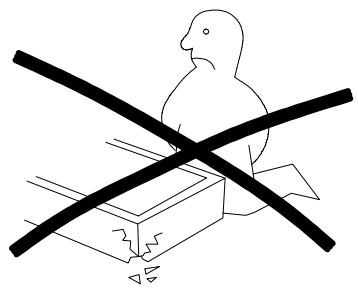
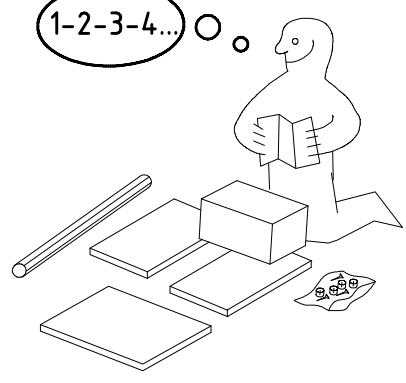
980572



NSP 225



1-2-3-4... ○ ○


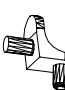




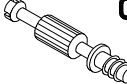

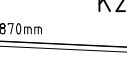
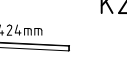
980572

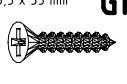

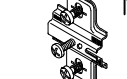

25.03.15 / 14.12.15





12 15

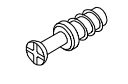

1/12

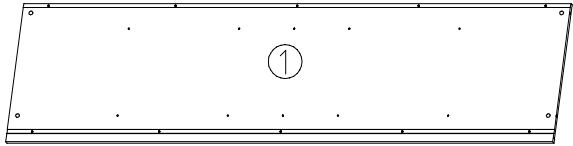
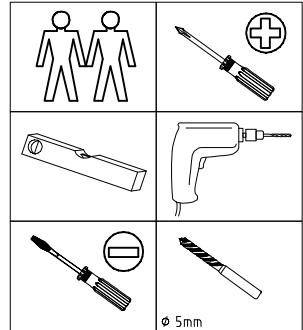
 111 102	<b>A</b>	20x
 111 610	<b>L7</b>	12x
 111 174	<b>J1</b>	6x
 117 001	<b>K1</b>	6x

 111 103	<b>C</b>	20x
 121 181	<b>T6</b>	6x
 112 402	<b>K20</b>	2x
 112 403	<b>K21</b>	1x

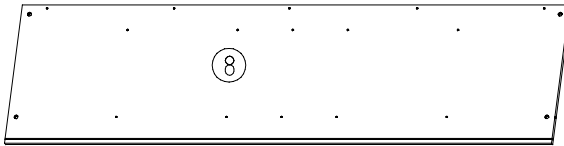
 121 375	<b>G14</b>	10x
 111 252	<b>VB23</b>	8x
 112 268	<b>M</b>	15x
 112 267	<b>N</b>	15x

 112 190	<b>Y20</b>	8x
 112 616	<b>T3</b>	16x
 111 015	<b>G8</b>	8x
 163 007	<b>Z</b>	3x

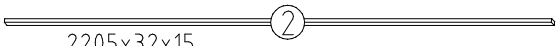
 111 229	<b>F</b>	8x
 112 370	<b>G1</b>	12x



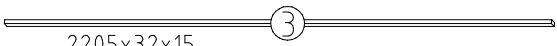
2205x560x15



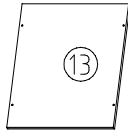
2205x560x15



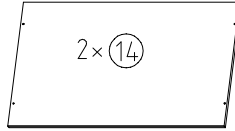
2205x32x15



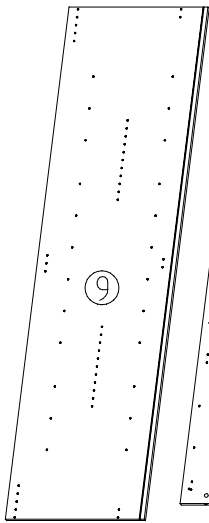
2205x32x15



429x500x18



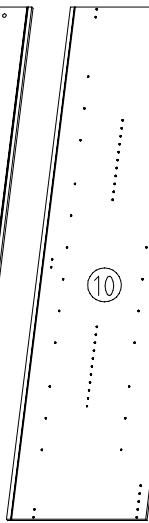
2x 14  
873x500x18



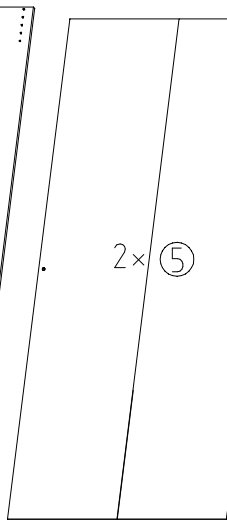
2064x560x15



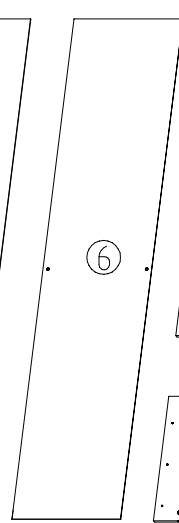
2001x560x15



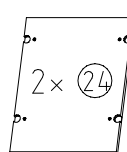
2064x560x15



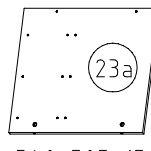
2x 5  
2015x882x2,5



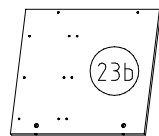
2x 6  
2015x438x2,5



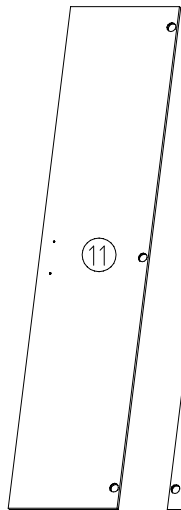
2x 24  
429x540x18



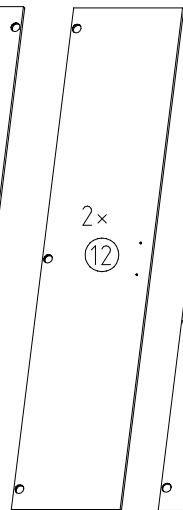
23a  
540x505x15



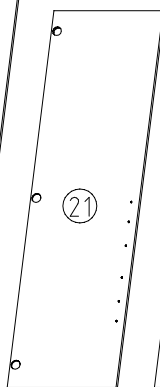
23b  
540x505x15



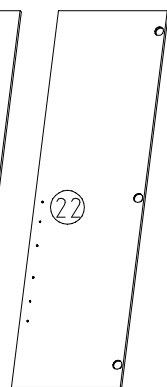
2021x439x15



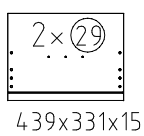
2x 12  
2021x439x15



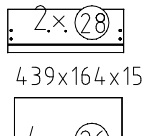
1518x439x15



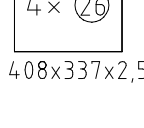
1518x439x15



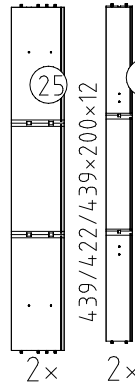
2x 29  
439x331x15



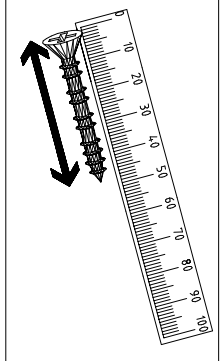
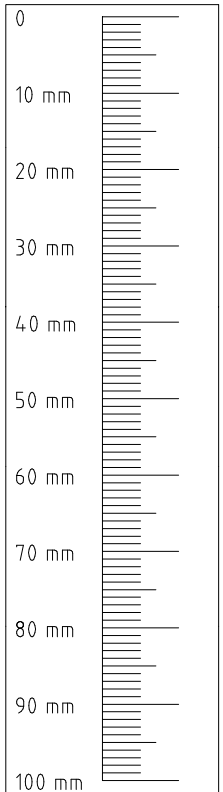
2x 28  
439x164x15



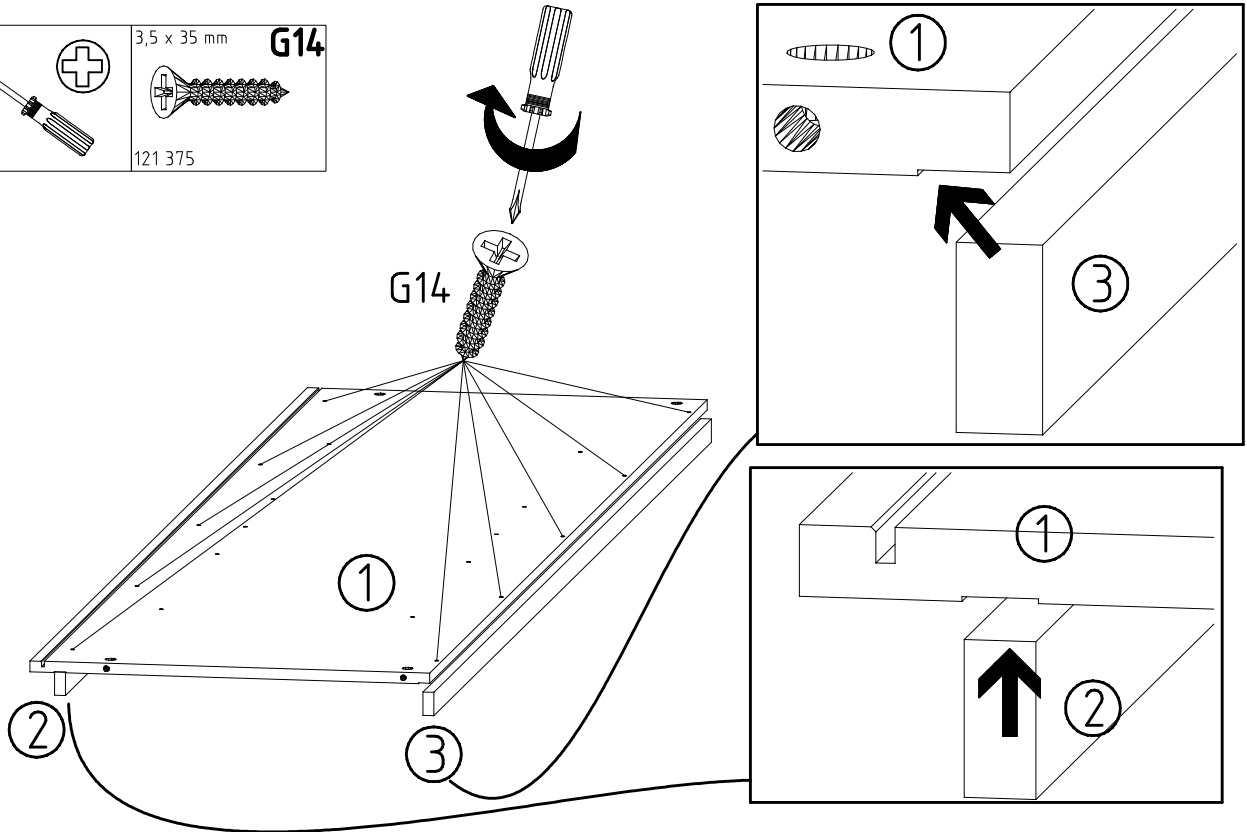
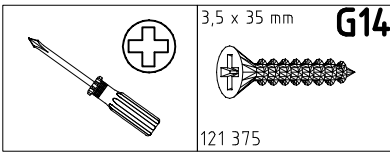
4x 26  
408x337x2,5



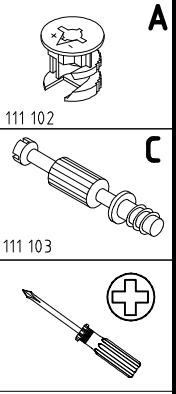
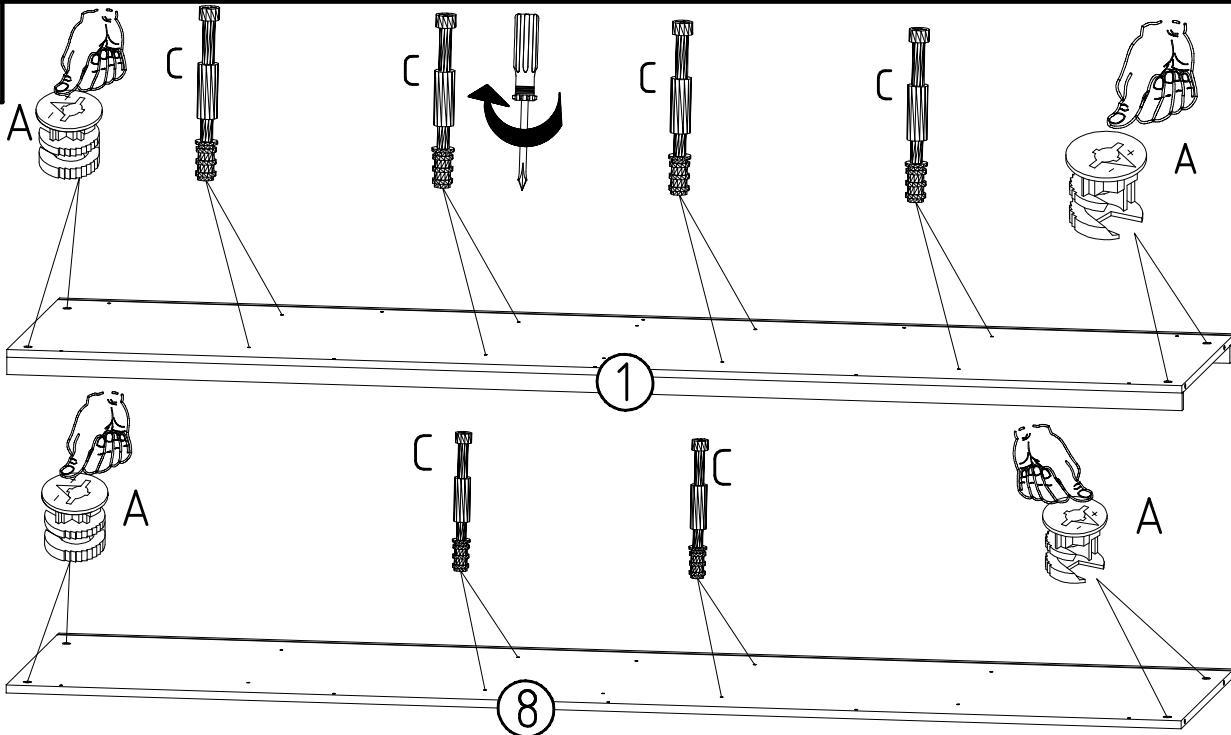
2x 25  
439/422/439x200x12  
2x 30  
439/422/439x92x12



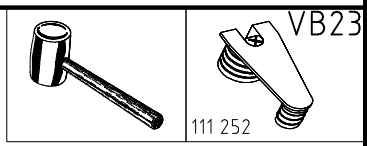
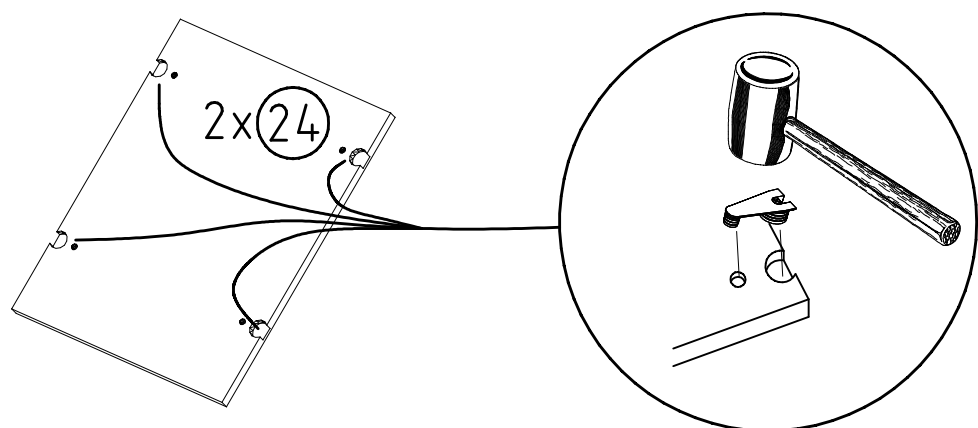
1



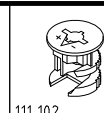
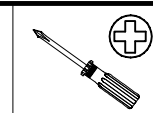
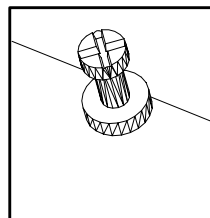
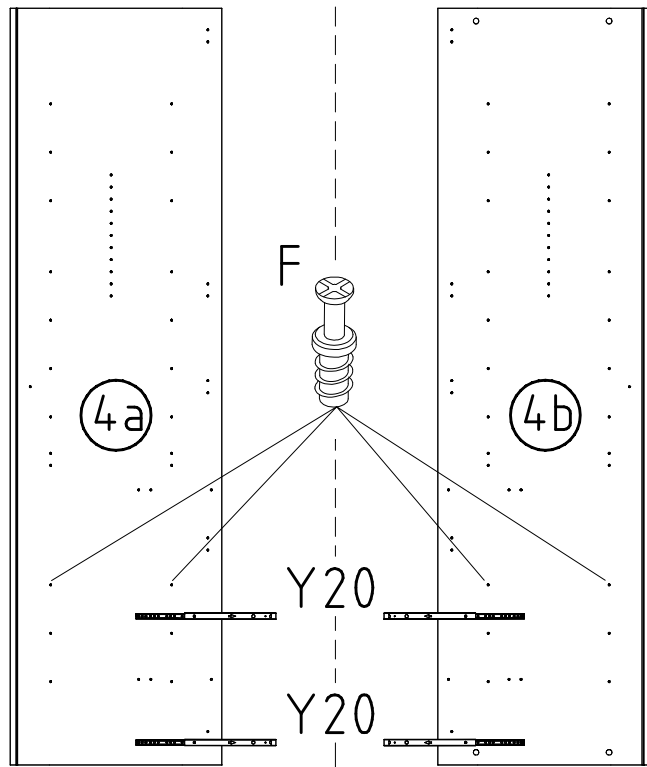
2



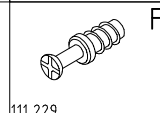
3



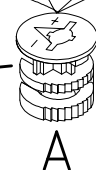
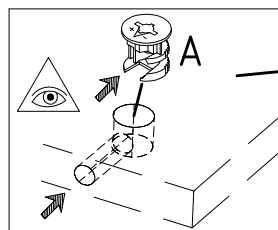
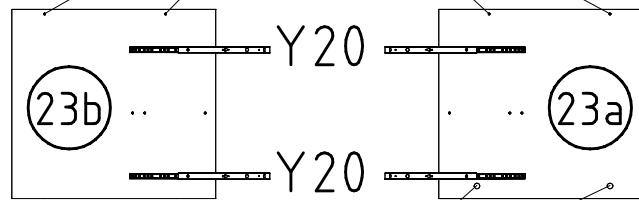
4



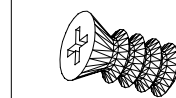
111 102



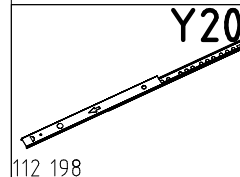
111 229



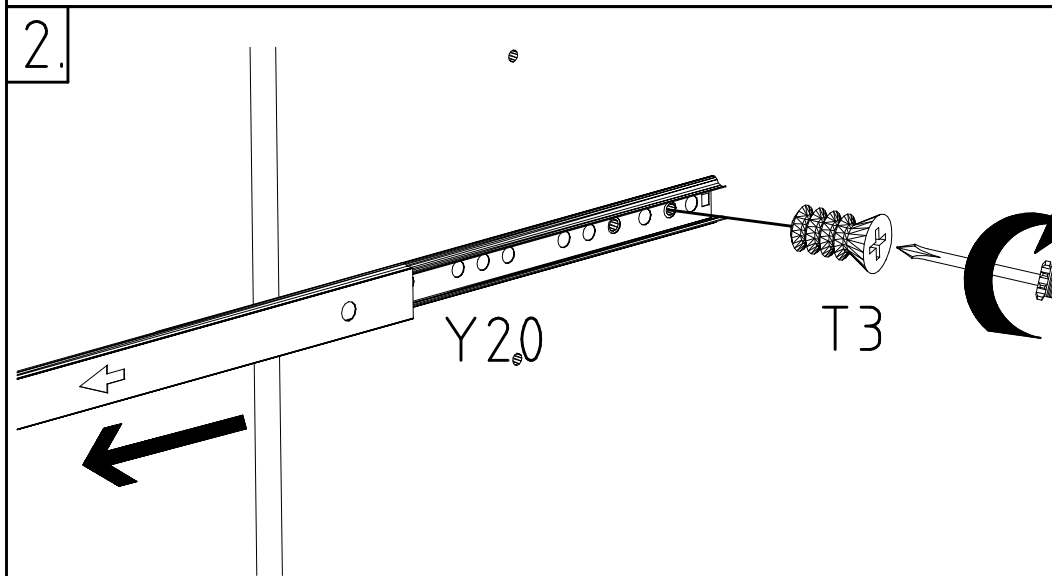
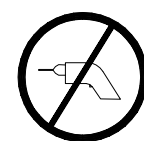
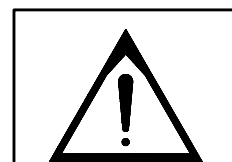
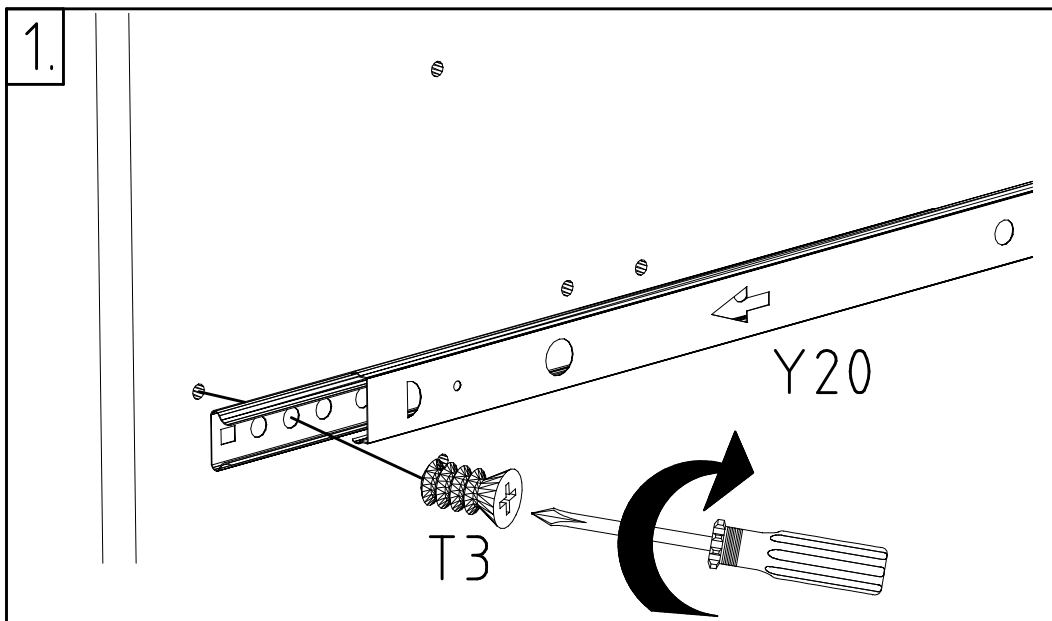
M6 x 10 T3



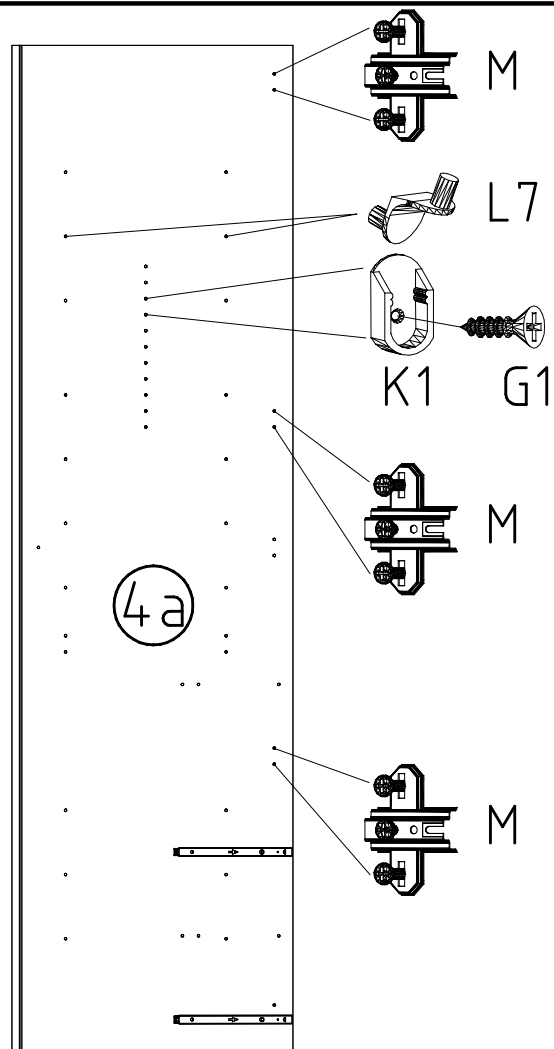
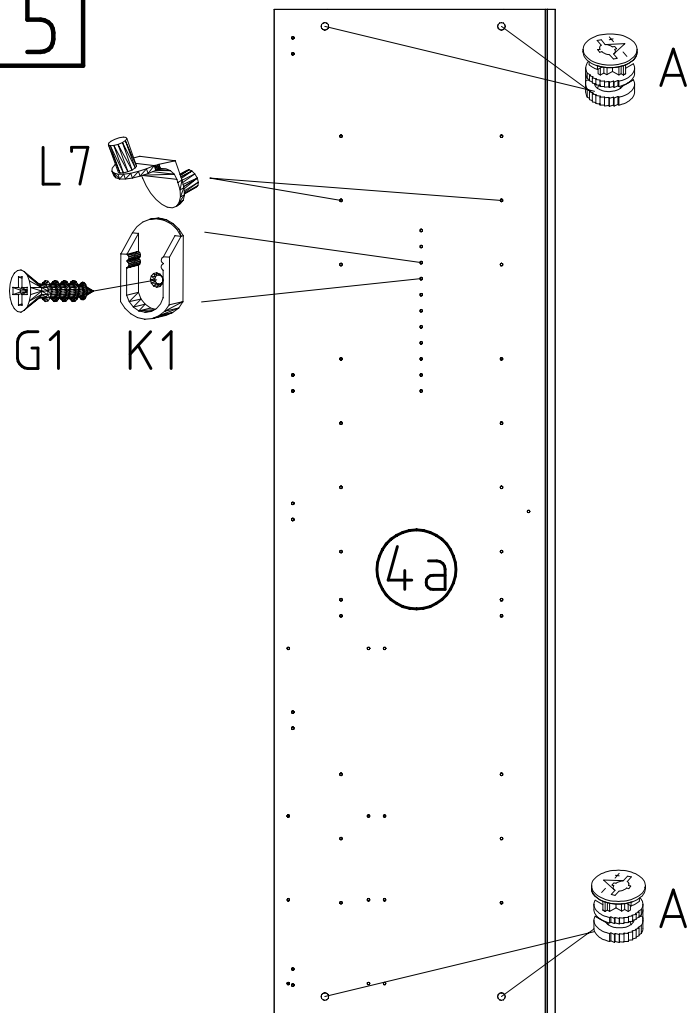
112 616

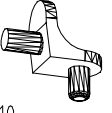
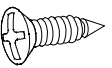
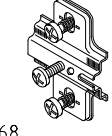
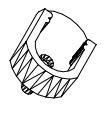
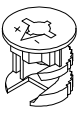

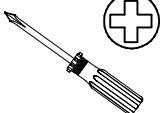


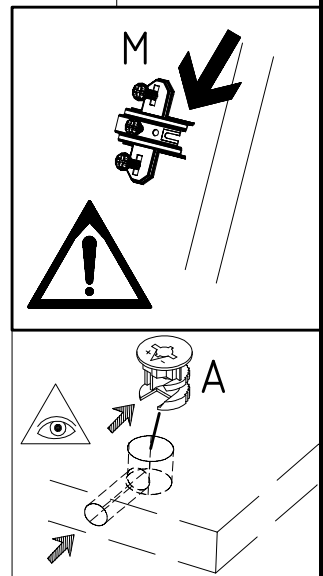
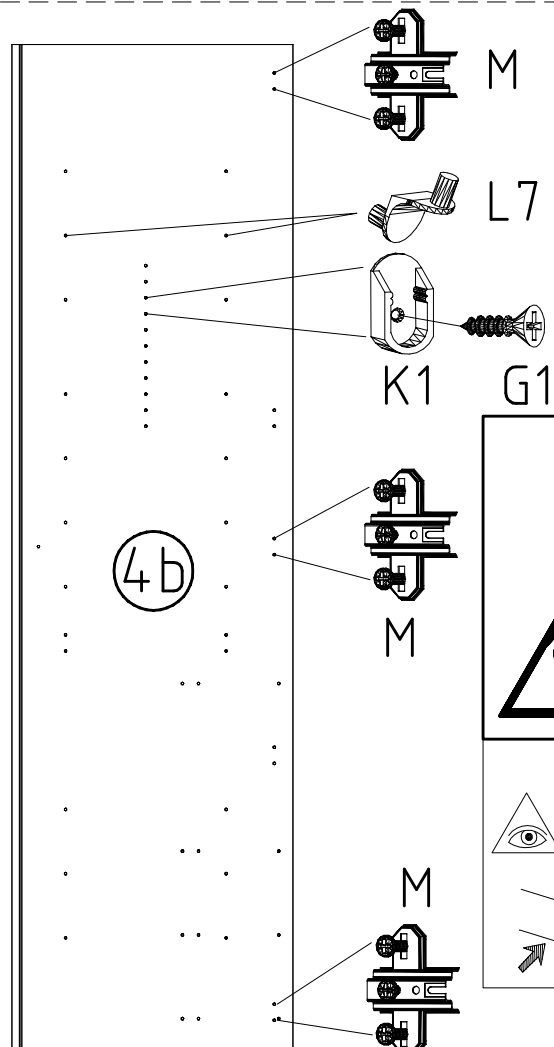
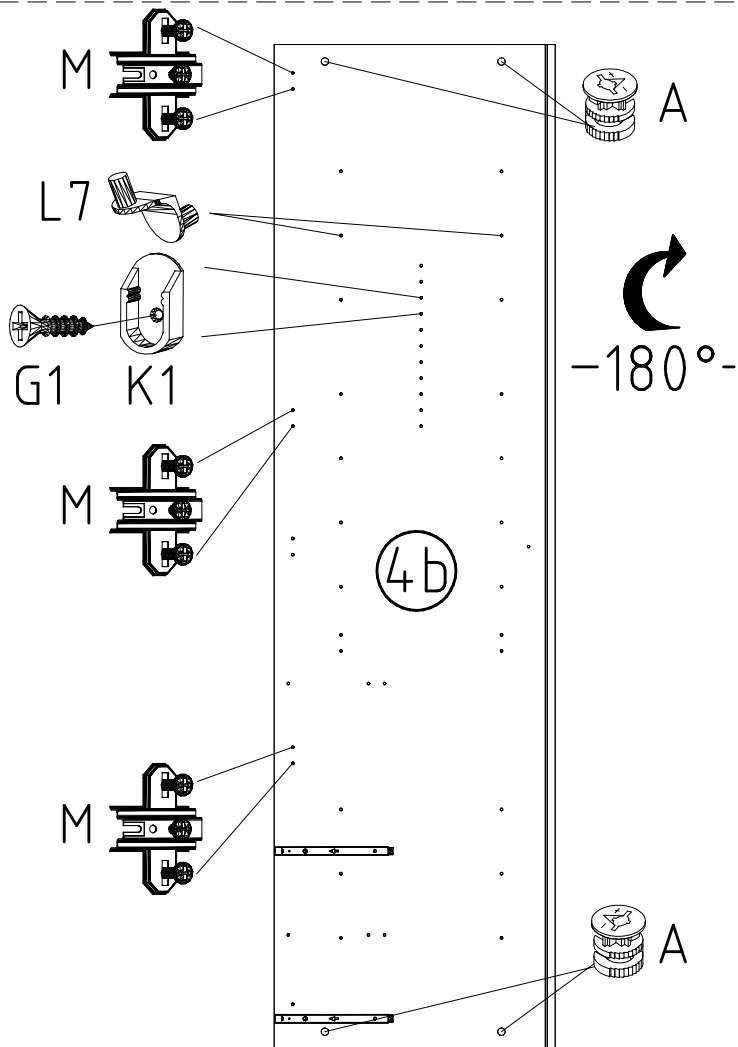
112 198



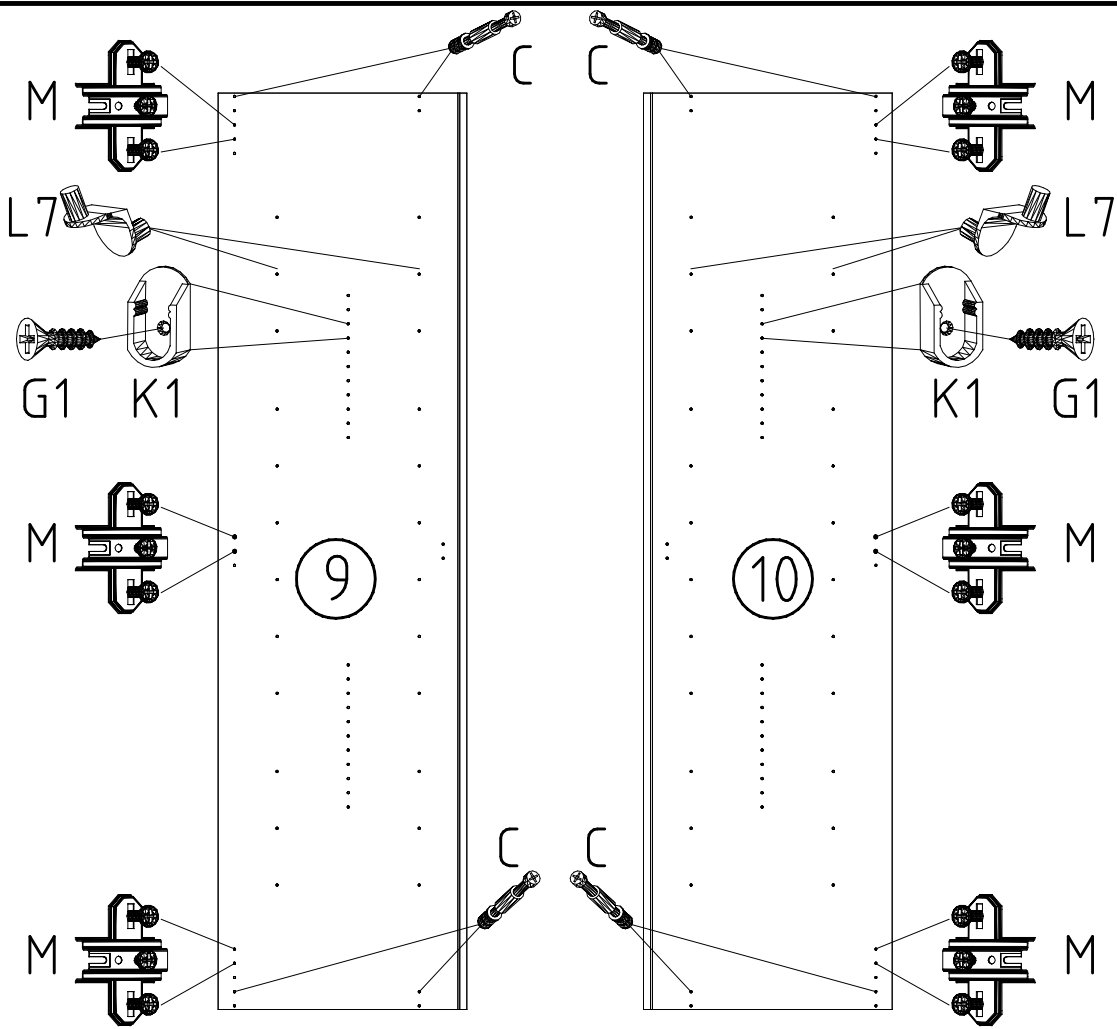
5



- 
L7
- 111 610
3,5 x 15 mm

G1
- 121 370

M
- 112 268

K1
- 117 001

A
- 111 102

- 
+

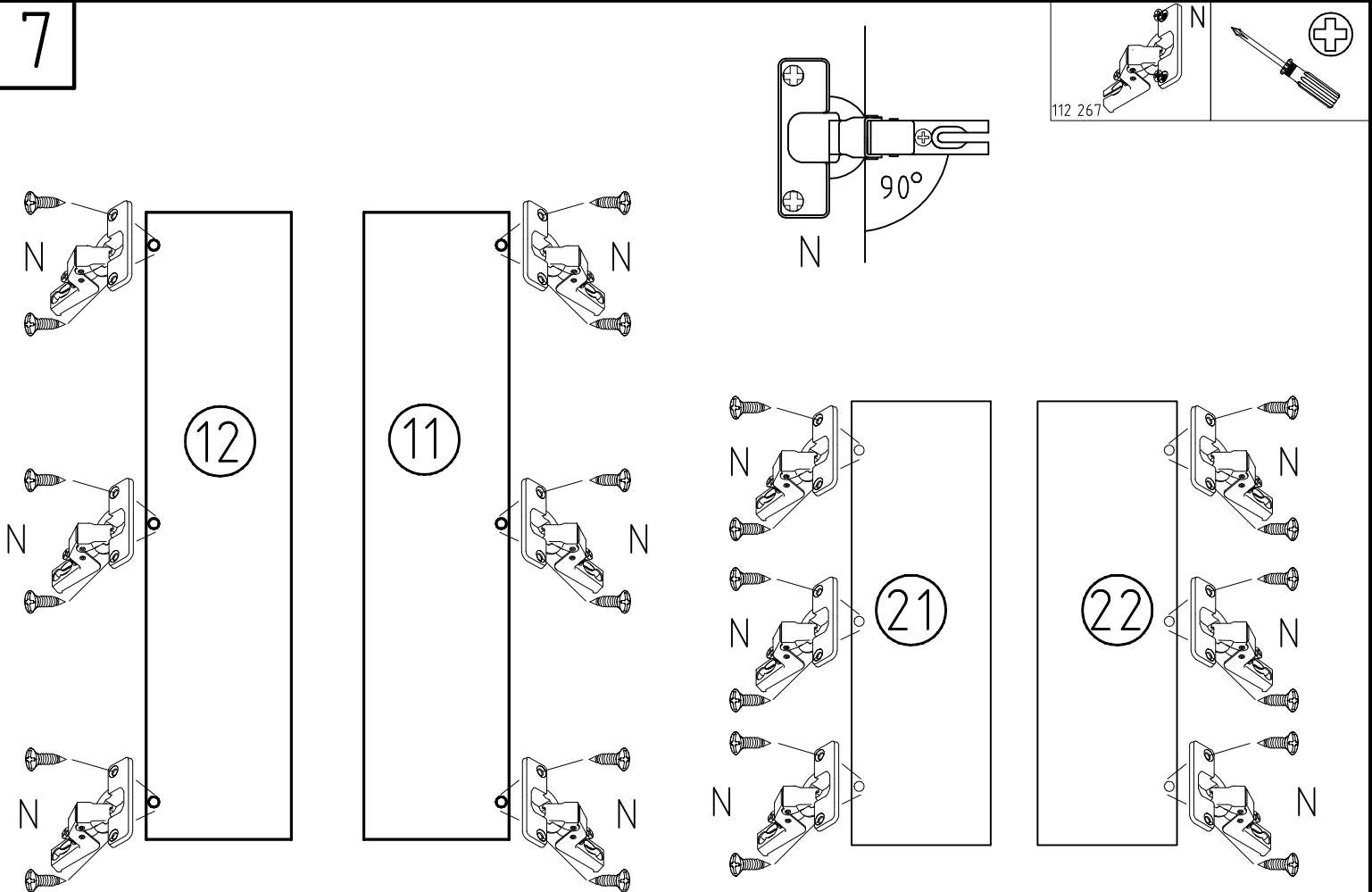


6

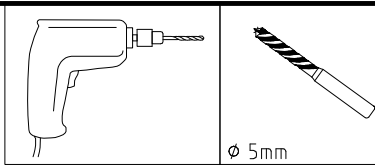


	L7
111 610 3,5 x 15 mm	G1
121 370	M
112 268	K1
117 001	C
111 103	

7

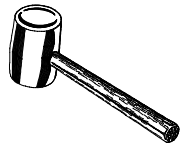
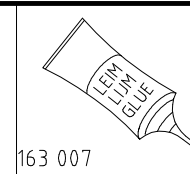


9

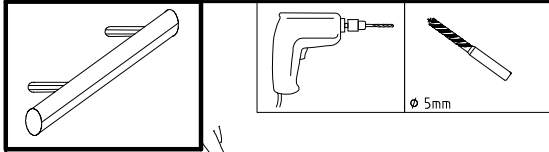
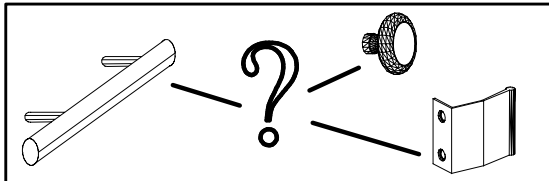


Ø 5mm

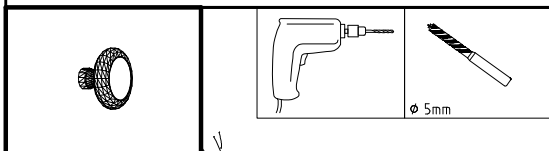
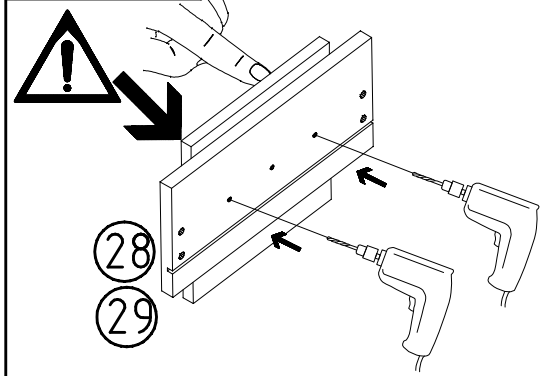
10



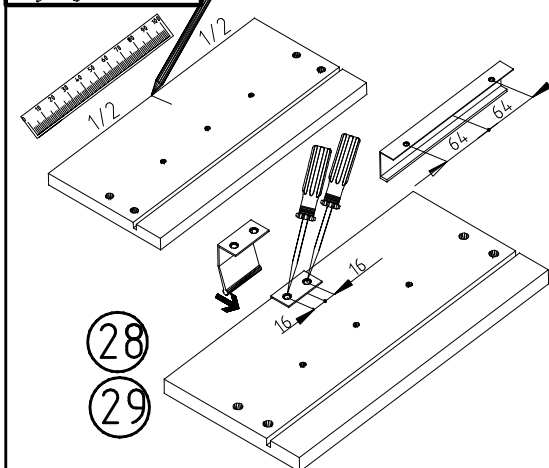
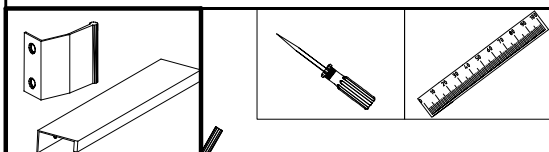
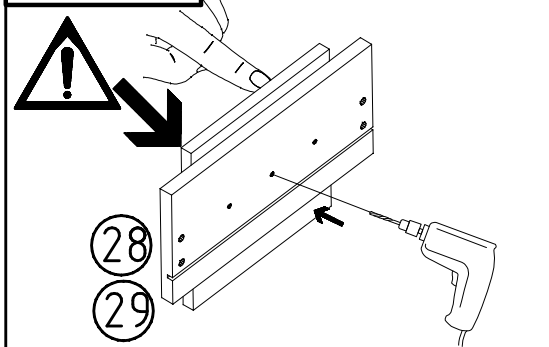
Z



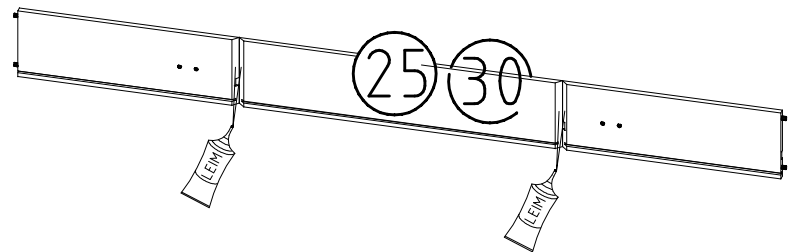
Ø 5mm



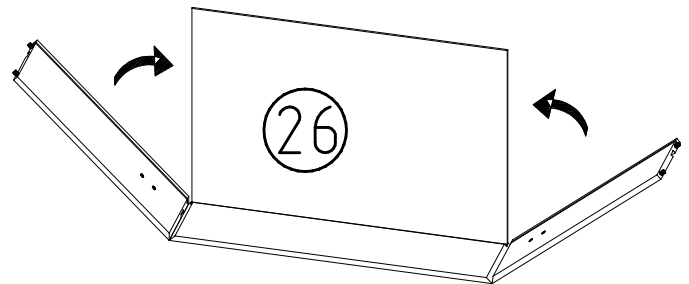
Ø 5mm



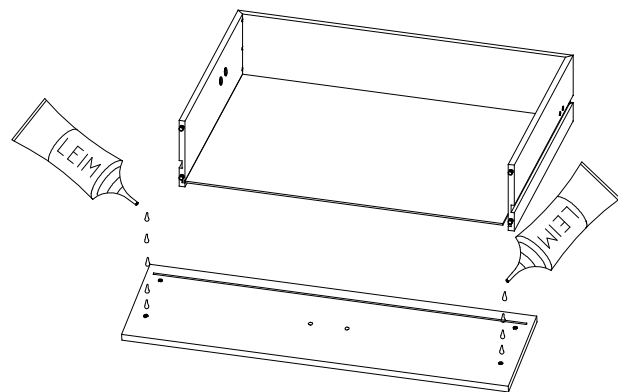
A



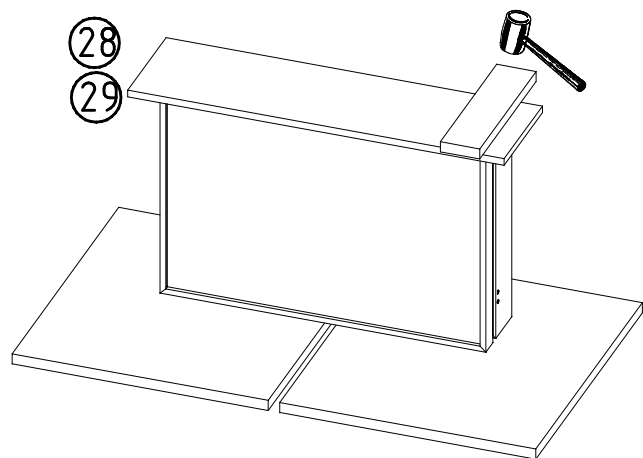
B



C



D

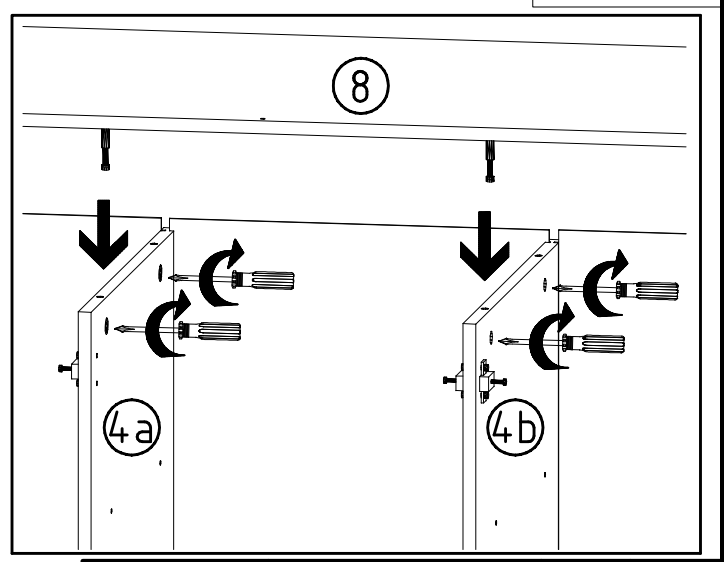
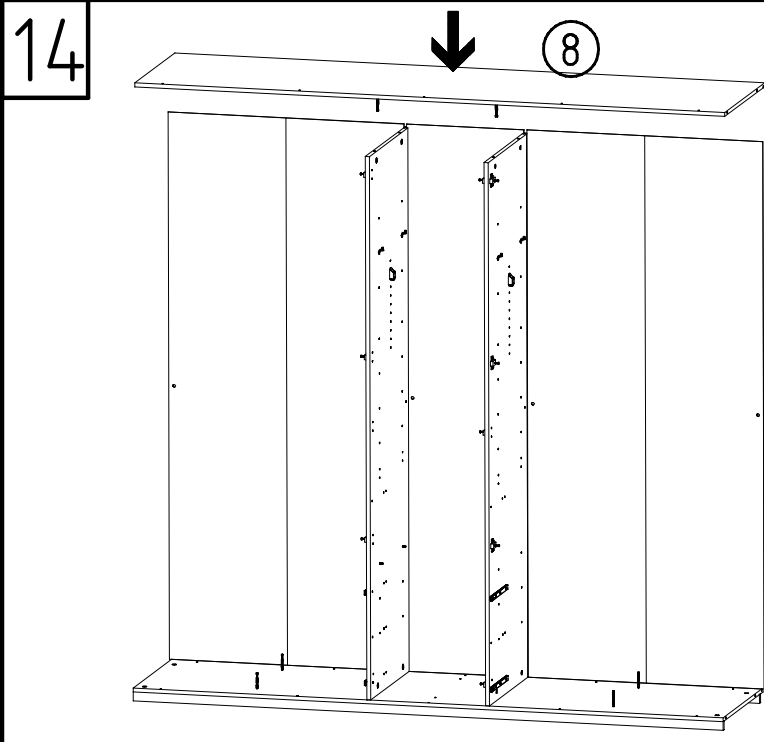
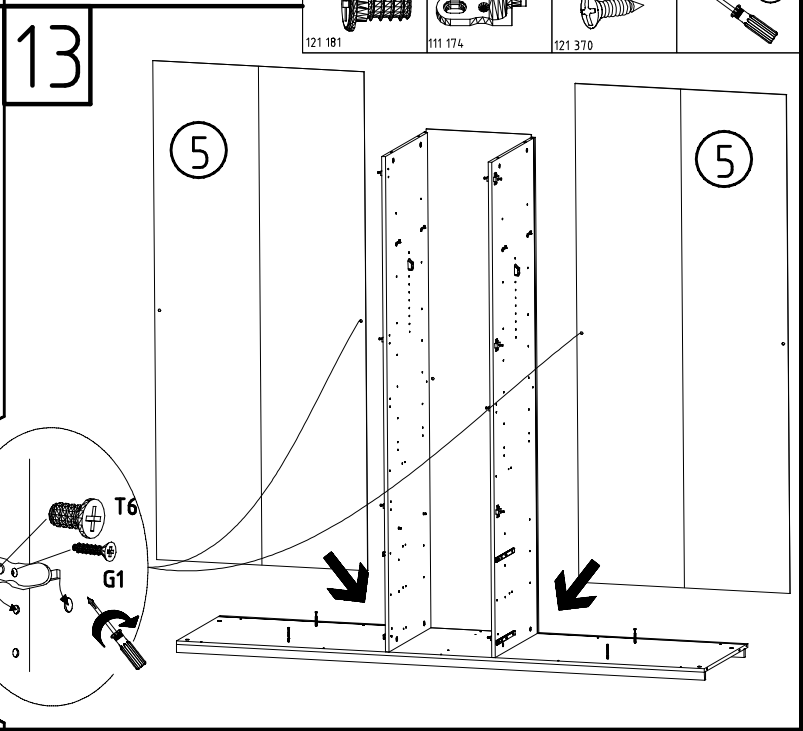
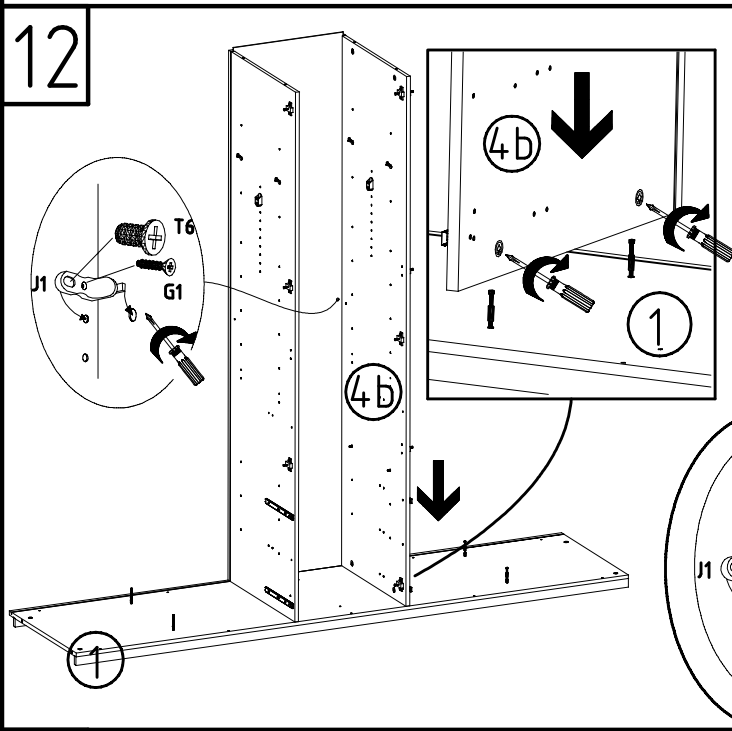
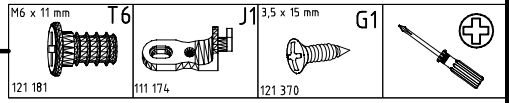
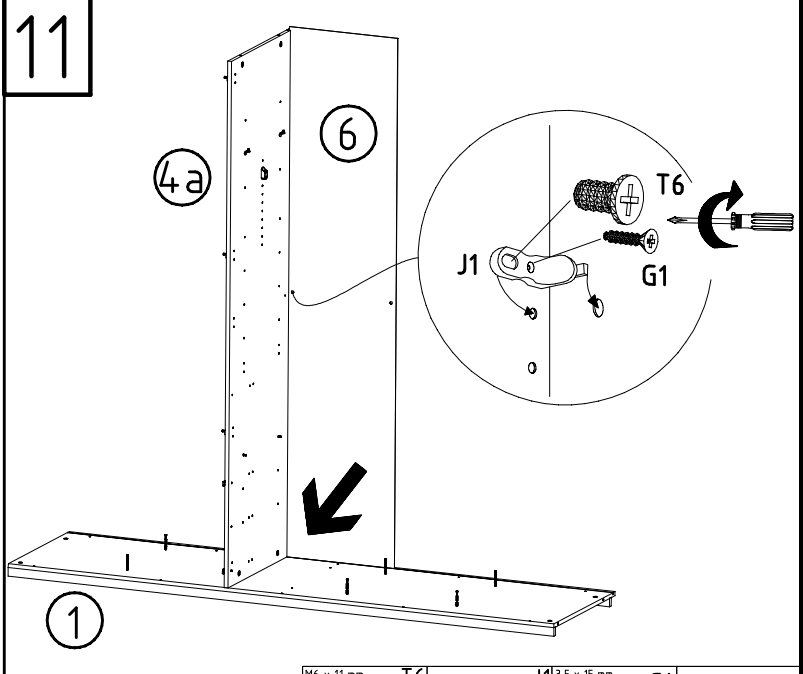
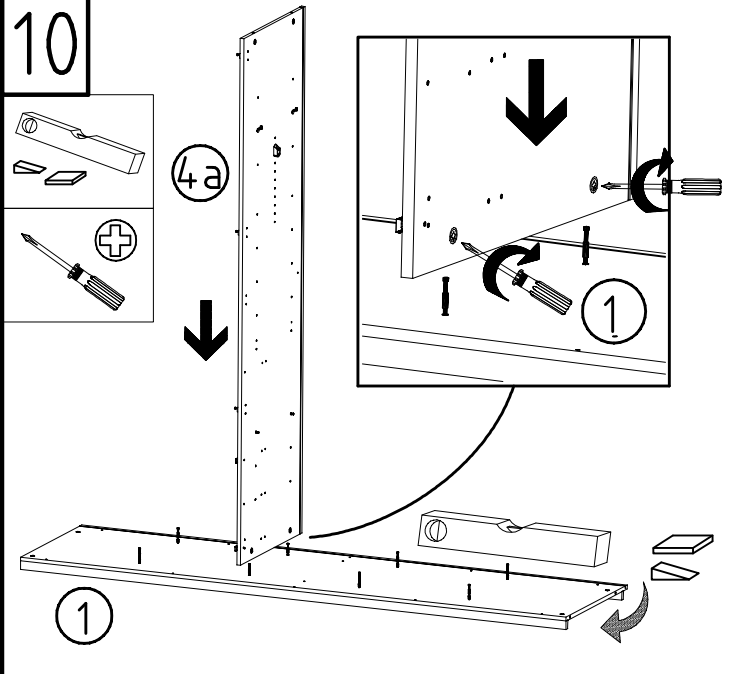


980572

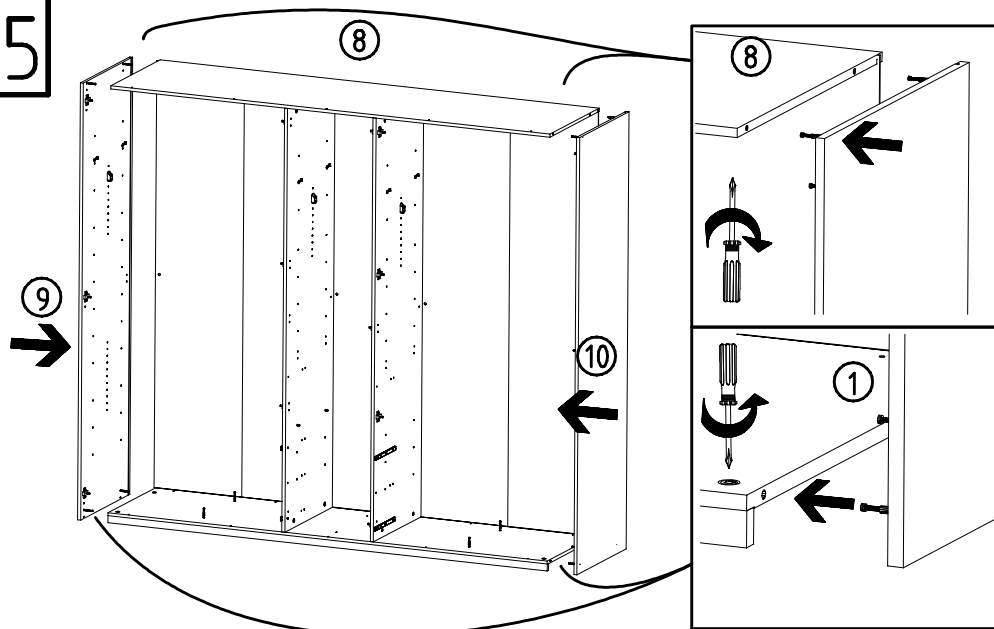
25.03.15 / 14.12.15

12 15

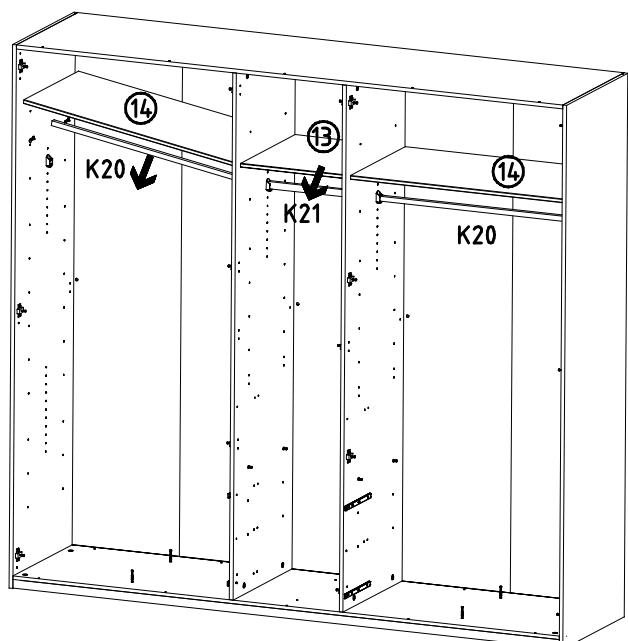
7/12



15

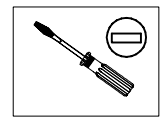
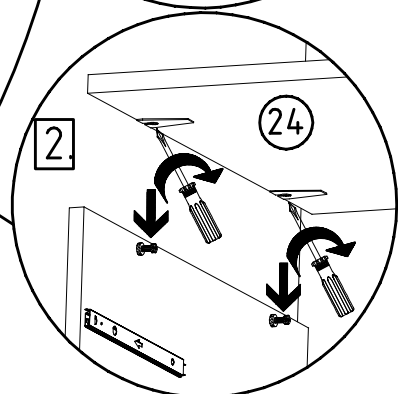
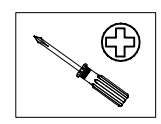
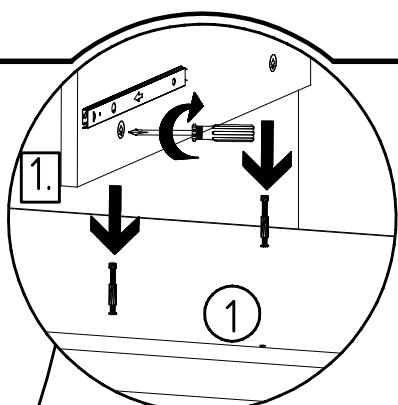
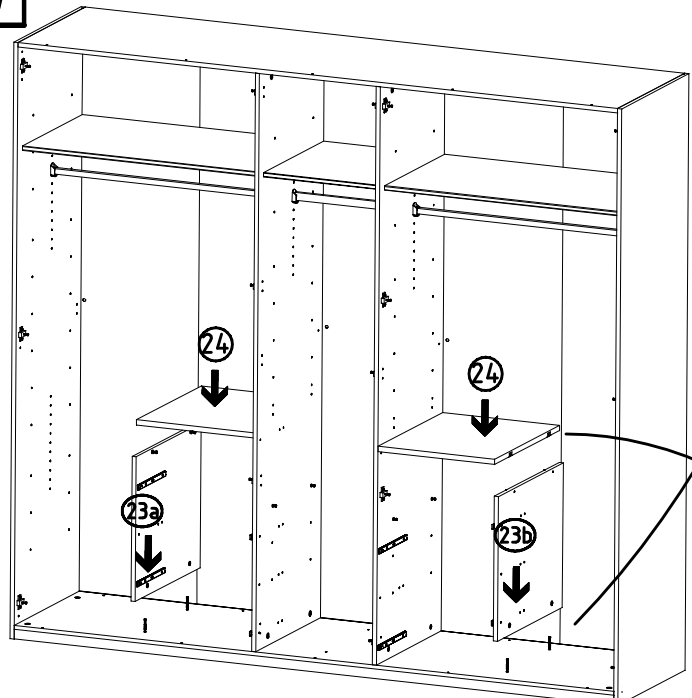


16

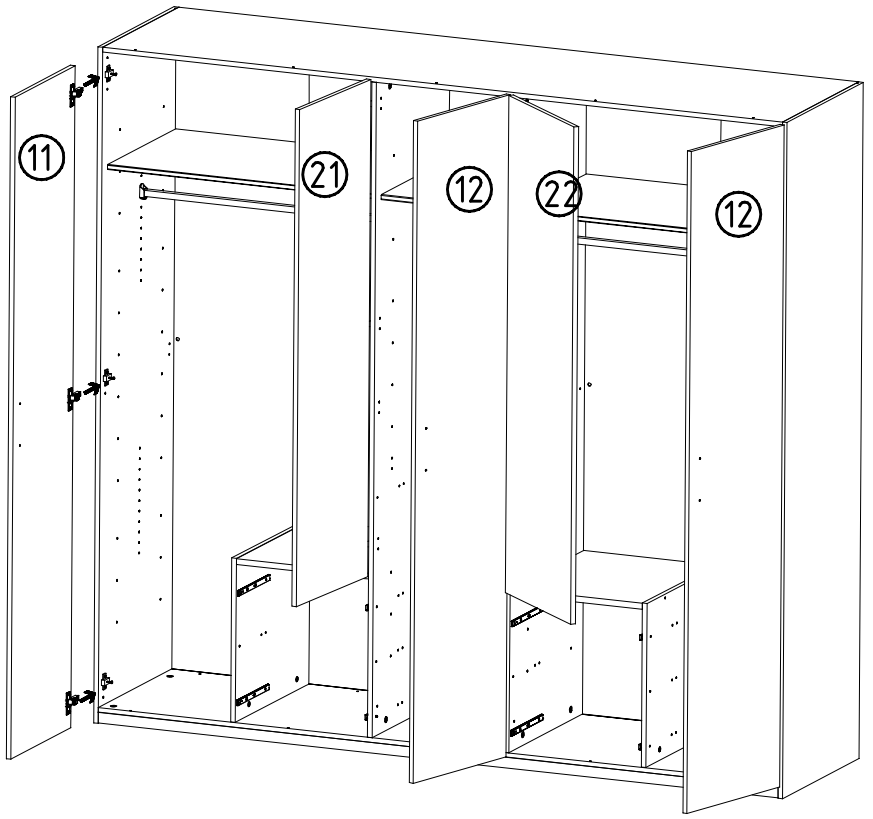
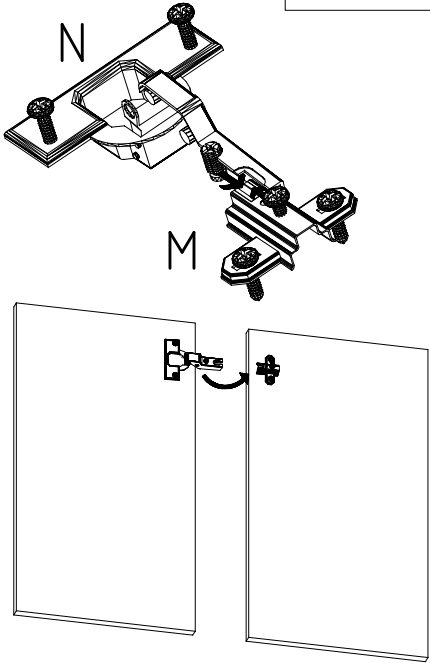
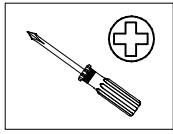


	K21
424mm	
112 403	
	K20
870mm	
112 402	

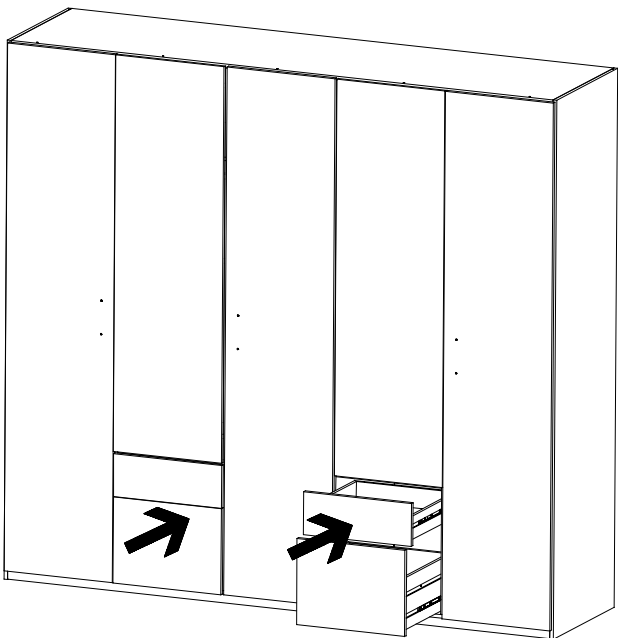
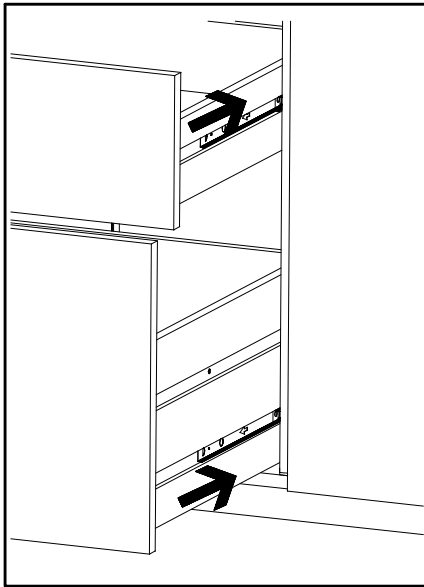
17



18



19

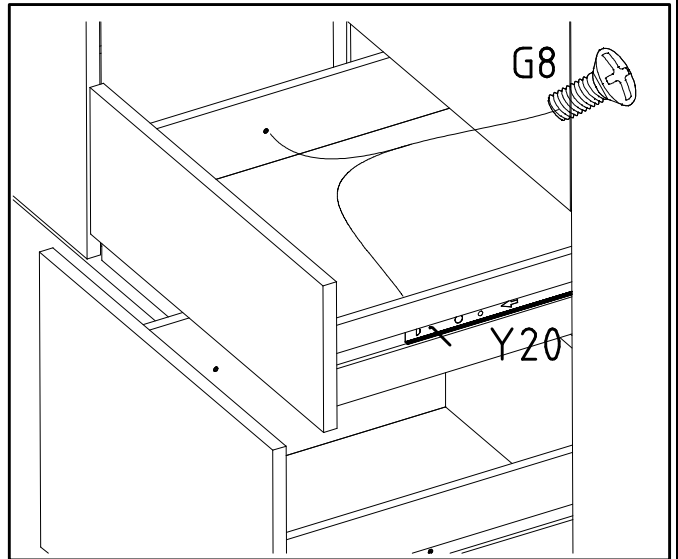
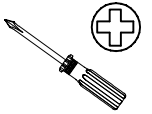


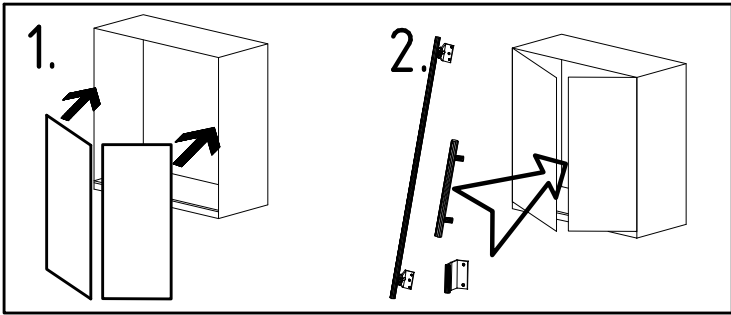
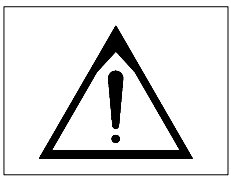
20

M4 x 9 mm G8

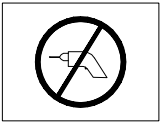
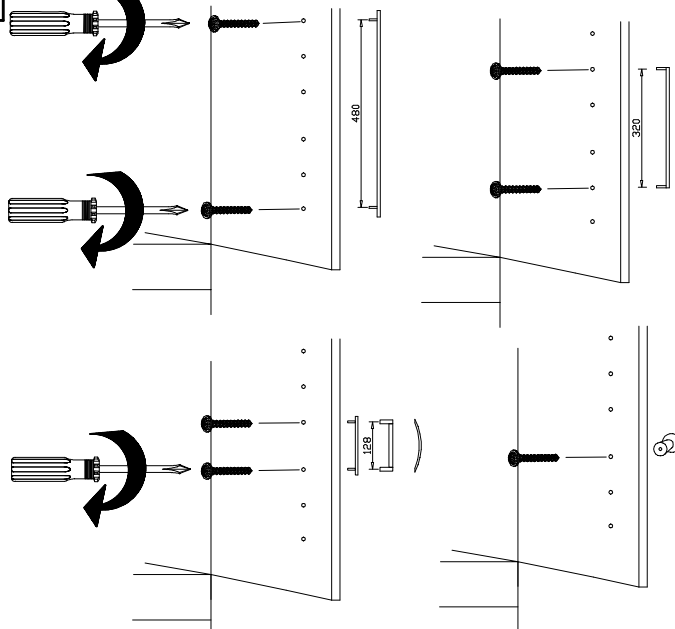
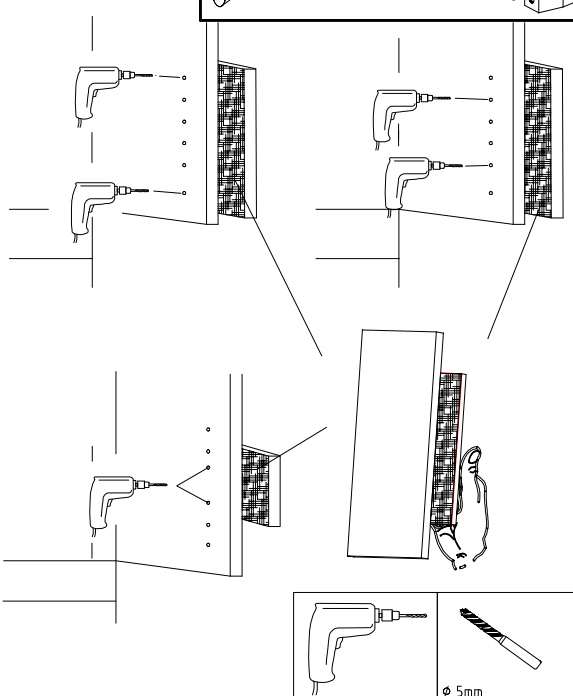
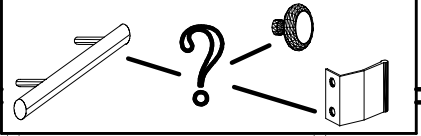
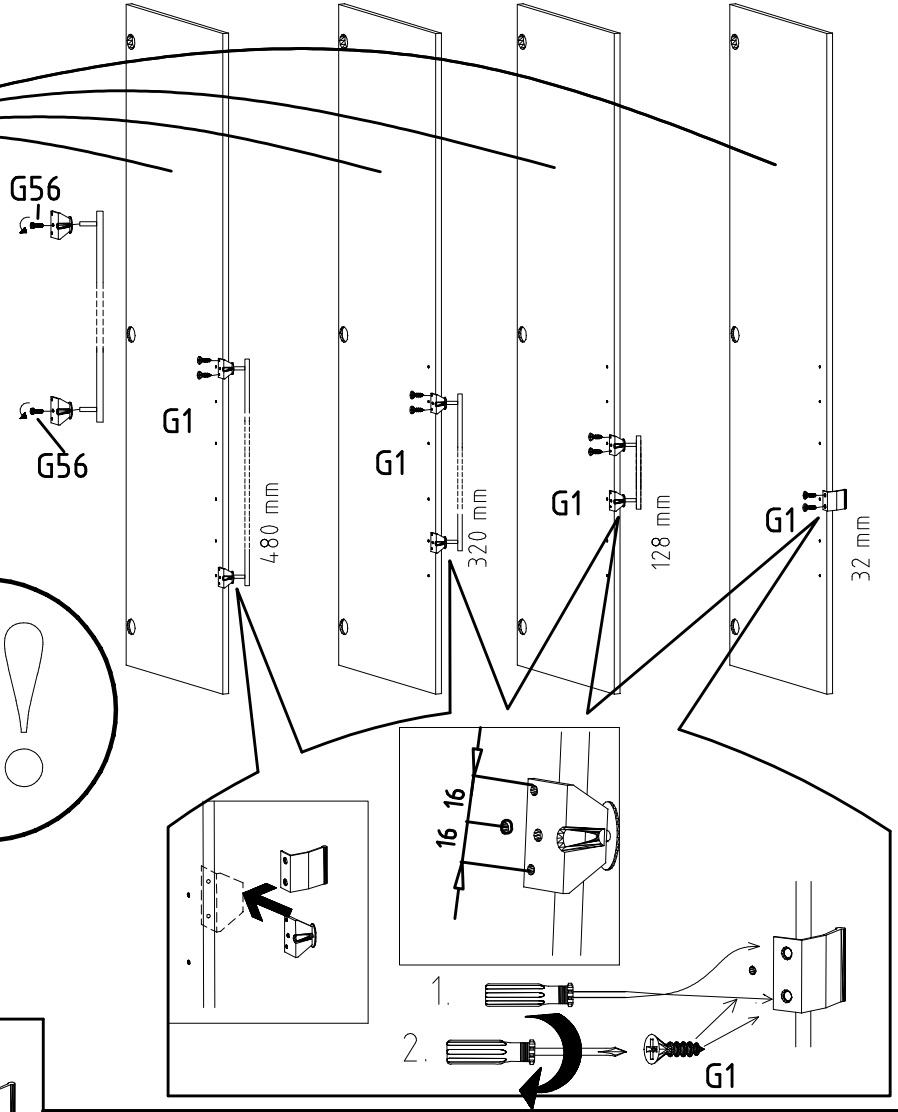
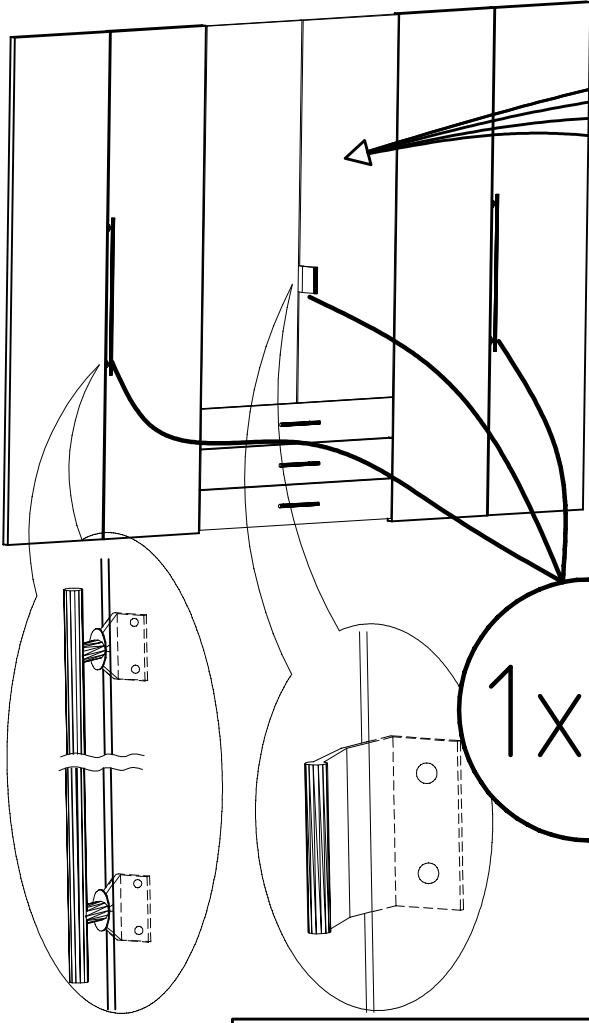


111 015





3,5 x 15 mm 121 370 	G1	4,0 x 12 mm 122 625 	G56
----------------------------	----	----------------------------	-----



	SP27
4 X 27mm 122620 4,0x22 122 609 	G49