

20 : 00

---

estimated assembly +  
installation time



2 or more

---

people required

Ok, let's  
get started!



- Put on mood music!
- To prevent damage to product, use the clean side of package carton or rug as working surface.
- In the event of missing or damaged parts, delivery problems etc., please reach out to our team. We will be happy to fix the problem!

# care guide

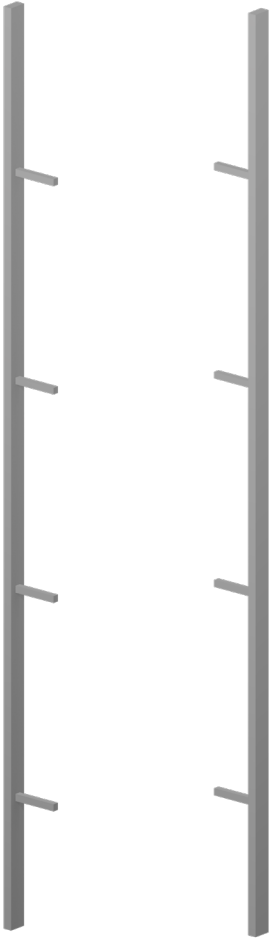
- Clean regularly with a soft and dry cloth.
- To protect finish, avoid use of abrasive cleaners.
- Wipe up spills immediately. Please!



# product parts

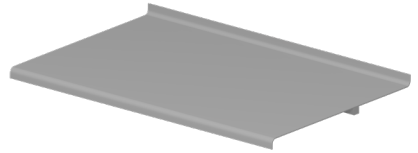


(C)  
Top mounting pipe bracket  
x1

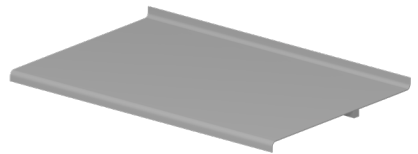


(A)  
Left side  
assembly pipe  
x1

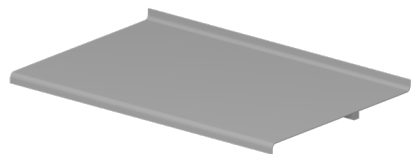
(B)  
Right side  
assembly pipe  
x1



D  
Top shelf  
x1



E  
Middle and bottom shelves  
x3

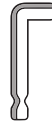


F  
Second last shelf with  
mounting brackets  
x1

# what's included



(G) - Bolt  
(M6 x 12mm)  
x24



(H) - Allen Key  
(M4 x 140mm)  
x1



(I) - Wall Plug  
x4



(J) - Screw  
(M4 x 38mm)  
x4

## assembly instructions

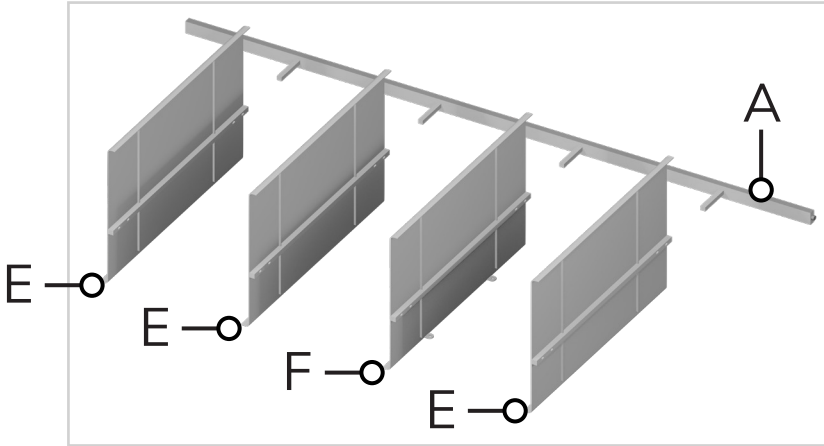
Friendly Tip: Take a deep breath going in. This may be a tricky part, but nothing too overwhelming. Just follow these steps to the T and the outcome will be worth it!



- ⓘ While assembling the product, tighten the bolts up to 50%. Once all parts are in place, only then fully tighten the bolts.

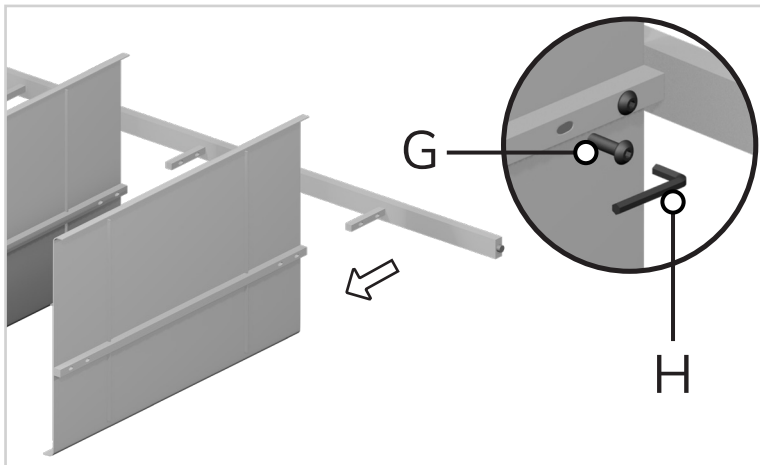
## step 1:

Start by placing all the pieces on a soft surface, such as a rug or carton. Next, align the left-side assembly pipe (A) with the shelves (E) and the second last shelf with mounting brackets (F) as shown below. Ensure the down-curved part of the shelves is on the front.



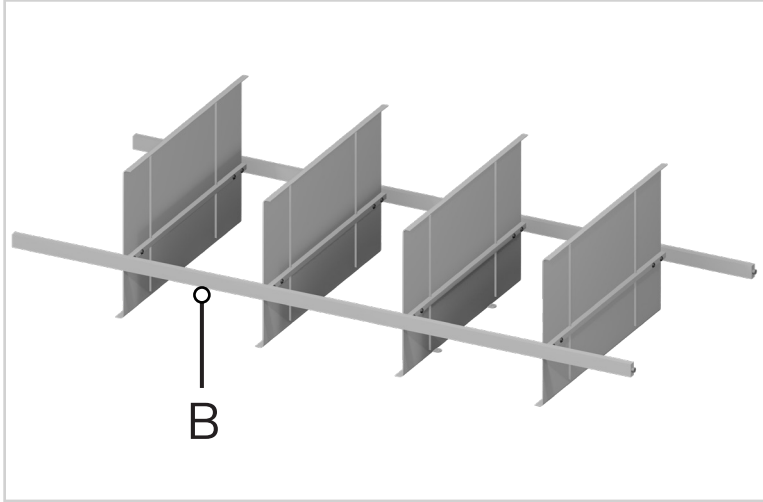
## step 2:

Attach the left-side assembly pipe (A) to the shelves (D) & (F) by sliding the pegs into the slots under the shelves. Now, fix it in place by inserting bolts (G) into the holes & tightening them with allen key (H). Note: Tighten the bolt up to 50% only.



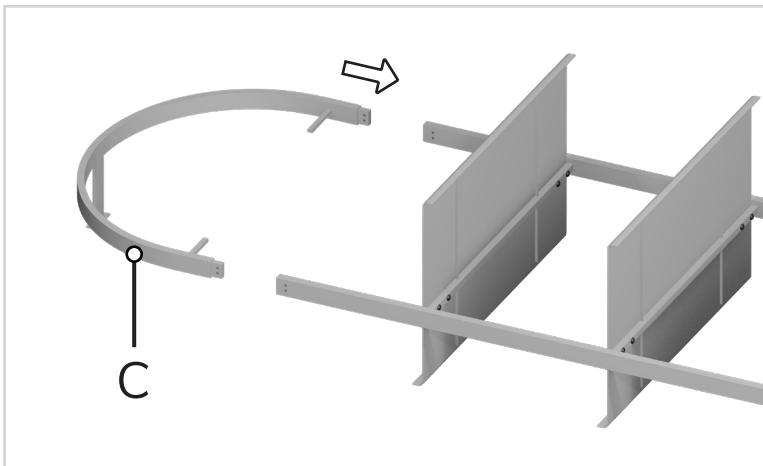
step 3:

Repeat step 2 to attach the right-side assembly pipe (B) to the shelves.



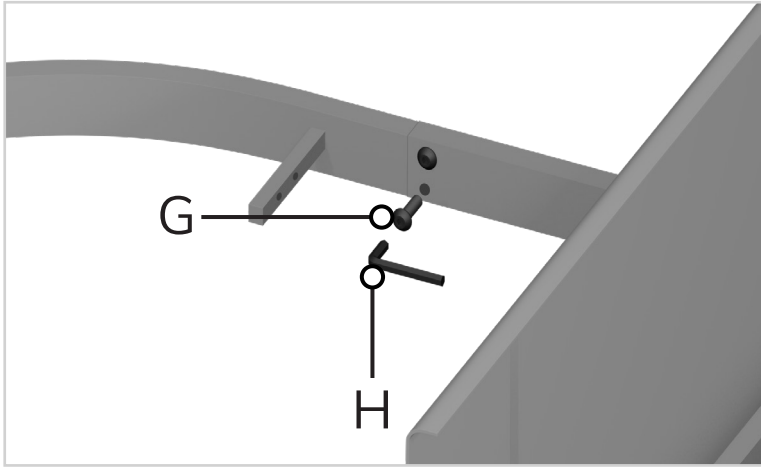
step 4:

Using the image as a reference, attach the top mounting pipe bracket (C) to the slots given on the top of the frame (A & B).



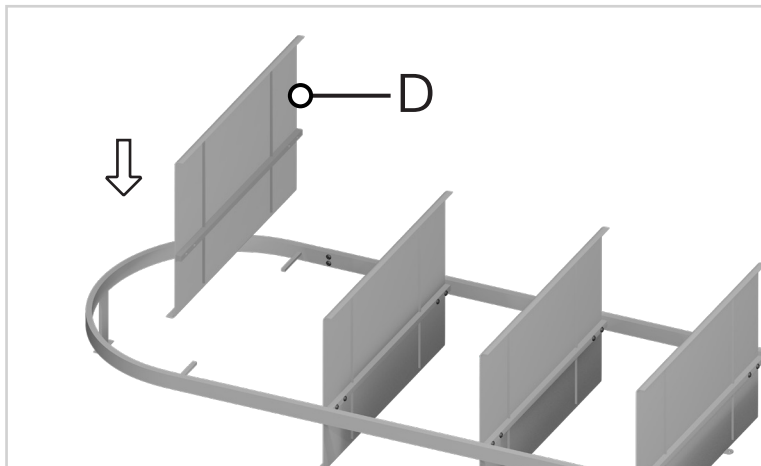
step 5:

Fix it in place by inserting bolts (G) into the holes & tighten them with allen key (H).



step 6:

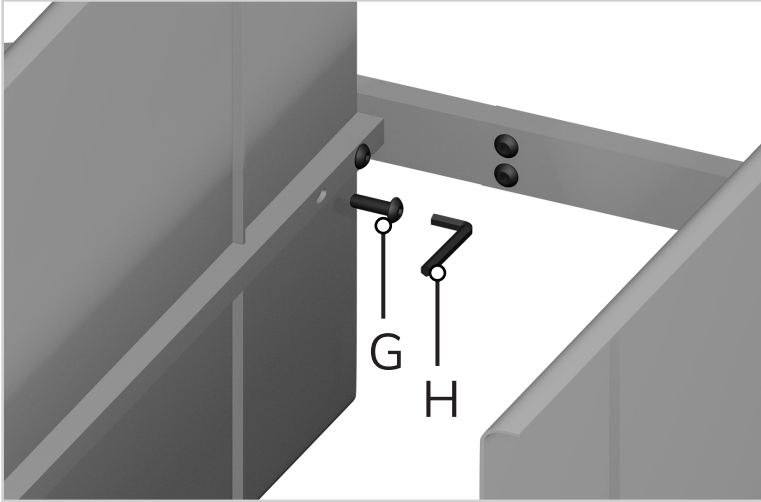
Now, align the top shelf (D) with the pegs on the top mounting pipe (C) by inserting them into the bracket under the shelf.

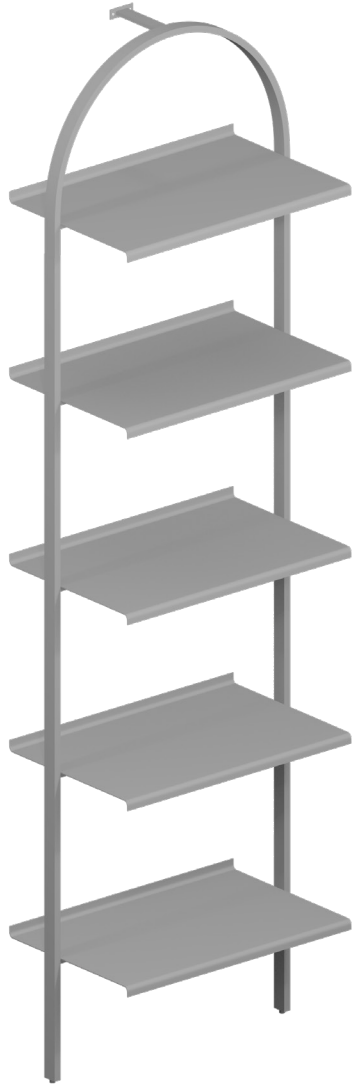


step 7:

Fix it in place by inserting bolts (G) into the holes & tighten them with allen key (H).

Note; Tighten all the bolts upto 100%.





**Your bookcase is now ready to install!**

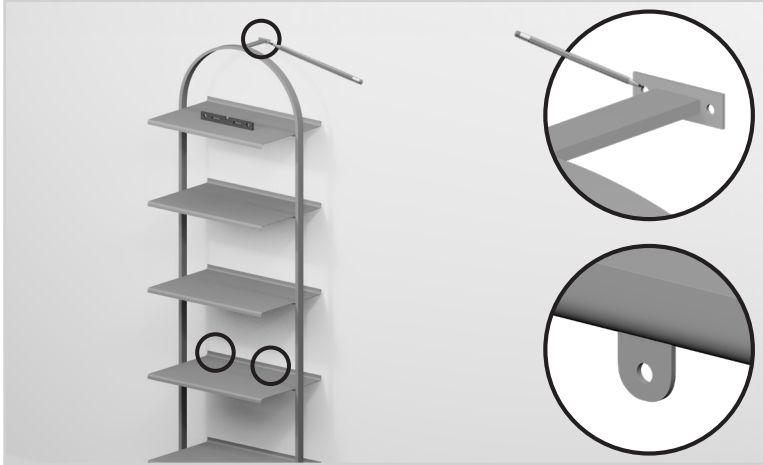
# installation instructions



- ⓘ While assembling the product, tighten the bolts up to 50%. Once all parts are in place, only then fully tighten the bolts.

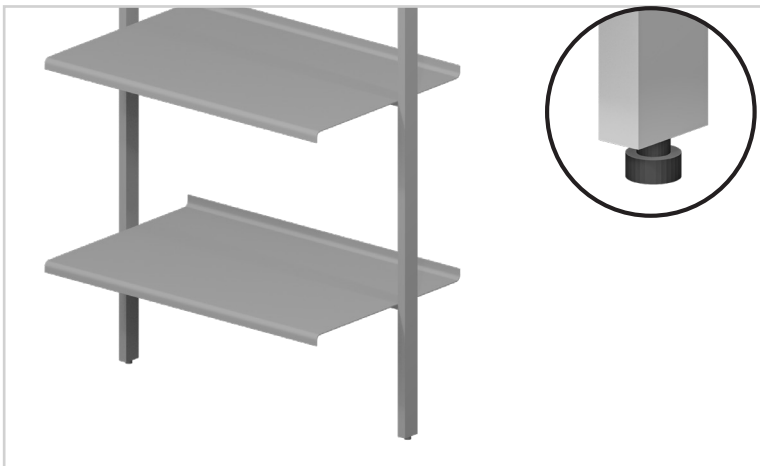
## step 1:

Place the assembled shelf against the wall and put a spirit level on the top plank to check alignment. Adjust if needed. Then, taking this image as reference, mark the holes on top & the slots on the second last shelf on the wall.



## step 2:

Now, adjust the levellers if needed.



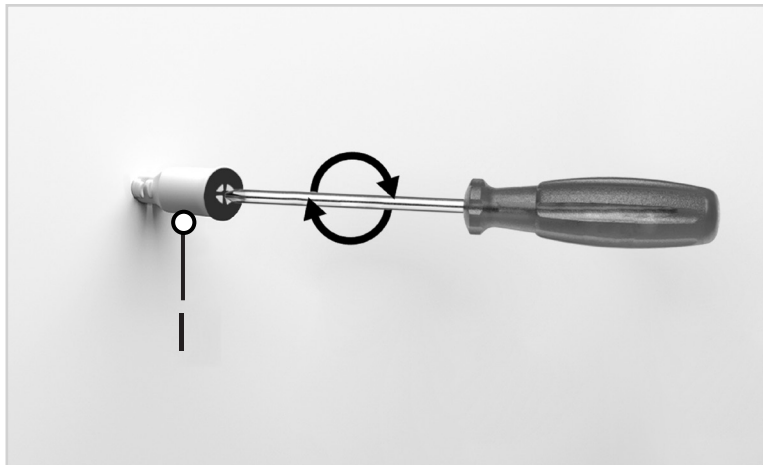
step 3:

Drill holes on the points you just marked.



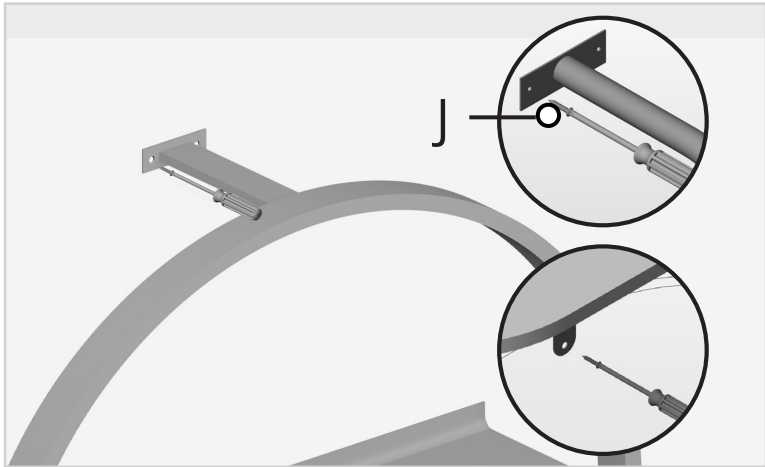
step 4:

Using a screw driver, insert wall plugs (I) in the holes you just marked.



step 5:

Now, insert screws (J) and tighten completely with the help of a screwdriver.



---

**Voila! Your bookcase is now installed and secure!**

you've  
got  
a home  
with us

