

# Empava



## COMPRESSOR WINE COOLER User Manual



EMPV-WC01S



EMPV-WC02D



EMPV-WC03S



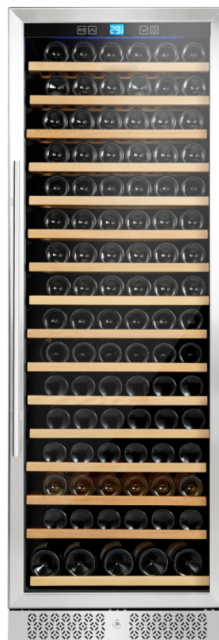
EMPV-WC04D



EMPV-WC05S



EMPV-WC06D



EMPV-WC07S



EMPV-WC08D

Please read this user manual before using this product

**EMPAVA APPLIANCES INC**  
15253 DON JULIAN RD CITY OF INDUSTRY.CA 91745  
TEL:888-682-882  
WWW.EMPAVA.COM

## CONTENT

1. Before First Use.....	4
2. Important Safety Measures and Instructions.....	4
3. Warning and Cautions.....	5
4. Specifications.....	7
5. Device Overview.....	8
6. Before Initial Operation.....	16
7. Temperature Setting.....	17
8. Operation.....	18
9. Energy Saving.....	18
10. Cleaning and Maintenance.....	18
11. How to Move the Appliance.....	19
12. Installation.....	19
13. Trouble Shooting.....	23
14. Decommission.....	24
15. Electrical Circuit Diagram.....	25

**Thank you for choosing our product. If operated and taken care of properly in accordance with these instructions, this appliance will be useful for many years.**

## **1. Before First Use**

- Before first use, remove any stickers or similar from the appliance except for the rating label.
- Dispose of any plastic bags as they pose a risk of suffocation to young children.
- Please read this manual before operating the appliance and keep it in a safe place for future reference. If this appliance is transferred to a new owner, the manual should also be provided to the new owner. If you ignore the safety instructions, you will endanger your health and life.

## **2. Important Safety Measures and Instructions**



- Before operating the appliance, check if the voltage indicated on the appliance's technical plate corresponds to the voltage of the electricity supplied to your home.
- Check the technical periphery of the appliance. Do all wires and connections to the appliance work properly? Or are they time-worn and do not match the technical requirements of the appliance? A check-up of existing and newly made connections must be done by an authorized professional. All connections and energy-leading components (incl. wires inside a wall) must be checked by a qualified professional.
- All modifications to the electrical mains to enable the installation of the appliance must be performed by a qualified professional.
- This appliance is intended for private use only.
- This appliance is intended for cooling wine in a private household only.
- This appliance is for indoor use only.
- This appliance is not intended to be operated for commercial purposes, during camping or in public transport.
- Operate the appliance in accordance with its intended use only.
- Do not allow anybody who is not familiar with this instruction manual to operate the appliance.
- This appliance may be operated by children aged from 8 years and above as well as by persons with reduced physical, sensory and mental capabilities or lack of experience and knowledge if they are supervised or have been instructed concerning the safe use of the appliance and do comprehend the hazards involved. Children must not play with the appliance. Cleaning and user maintenance must not be carried out by children unless they are supervised.
- Ambient temperature below 10°C or above 32°C will hinder the performance of the appliance.

### 3. Warning and Cautions

- Do not connect the appliance to the mains if the appliance itself or the power cord or the plug are visibly damaged.
- Never try to repair the appliance yourself. If the appliance does not operate properly, please contact the shop you purchased the appliance at. Original spare parts should be used only.
- When the power cord is damaged, it must be replaced by the manufacturer or an authorized after sales service or a qualified professional only.
- If any part of the cooling circuit is damaged, the appliance must not stand near a fire, naked light or spark-generating devices. Contact the shop you purchased the appliance at immediately.
- Keep all components of the appliance away from fire and other sources of ignition when you dispose of or decommission the appliance.
- Do not install the appliance near volatile or combustible materials (e.g. gas, fuel, alcohol, paints) or in rooms which may have poor air circulation (e.g. garage).

#### **EXPLOSION HAZARD**

Do not store any explosive materials or sprays that contain flammable propellants in your appliance.

- Do not connect the appliance to the electric supply unless all packaging and transit protectors have been removed.
- Operate the appliance with 110–120V AC 60Hz only. All connections and energy-leading components must be replaced by an authorized professional.
- Do not use a socket board or a multi socket when connecting the appliance to the mains.
- A dedicated and properly grounded socket meeting the data of the plug is required to minimize any kind of hazard. The appliance must be grounded properly.
- Check that the power cord is not placed under the appliance or damaged when moving the appliance.
- The technical data of your energy supplier must meet the data on the model plate of the appliance.
- Your domestic circuit must be equipped with an automatic circuit breaker.
- Do not modify the appliance.

#### **RISK OF ELECTRIC SHOCK**

Turn off the power before you install the appliance and before you connect it to the mains. Do not use any steam cleaners to clean or defrost the appliance. The steam can get into contact with the electrical parts and cause an electrical short. Never use mechanical devices, knives or other sharp-edged items to remove encrusted ice inside the appliance.

- Disconnect the appliance from the mains before you clean or maintain it.
- Do not use any electric appliances inside the food storage compartments of your appliance unless they are recommended by the manufacturer of your refrigerator.
- Do not put any heat-radiating appliances onto your appliance.
- Do not install the appliance in a place where it may come in contact with water/rain, otherwise the insulation of the electrical system will be damaged.
- Do not put a water-boiler or vases onto your appliance. The electrical components of your appliance can be seriously damaged by water over-boiling or spilled water.
- Children must never play with the appliance.
- If you decommission your appliance (even temporarily), ensure that children cannot get into the appliance.
- Do not touch the extremely cooled surfaces with wet or damp hands, because your skin may stick on these surfaces.
- When you move the appliance, hold it at its base and lift it carefully. Keep the appliance in an upright position.
- Never use the door for moving the appliance as you will damage the hinges.
- Do not operate the appliance unless all components are installed properly.
- Do not stand or lean on the base, the drawers, the doors etc of the appliance.
- Do not put hot liquids or hot foodstuff into the appliance.

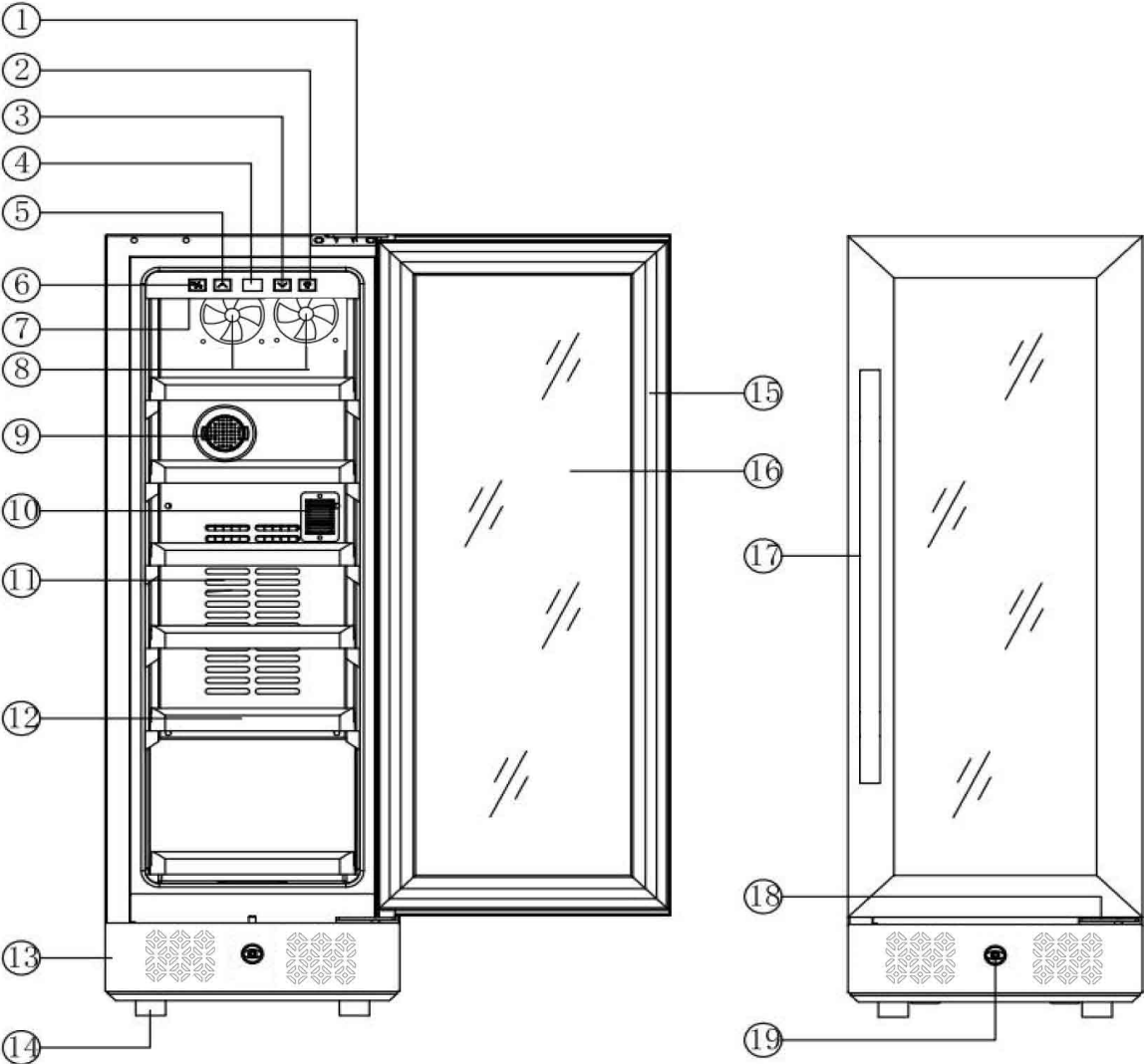
## 4. Specifications

MODEL	EMPV-WC01S	EMPV-WC02D	EMPV-WC03S	EMPV-WC04D
VOLUME	84L	73L	147L	140L
VOLTAGE	AC 110-120V	AC 110-120V	AC 110-120V	AC 110-120V
FREQUENCY	60Hz	60Hz	60Hz	60Hz
PROTECTION TYPE	I	I	I	I
CLIMATE CLASS	SN.N	SN.N	SN.N	SN.N
INPUT POWER	90 Watt	90 Watt	90 Watt	90 Watt
ENERGY CONSUMPTION	0.257 Kw.h/24h	0.418 Kw.h/24h	0.402 Kw.h/24h	0.427 Kw.h/24h
TEMPERATURE RANGE	40-66°F (5-18°C)	Upper zone:40-50°F (5-10°C) Lower zone:50-66°F (10-18°C)	40-66°F (5-18°C)	Upper zone:40-50°F (5-10°C) Lower zone:50-66°F (10-18°C)
NET WEIGHT	71.7 lbs	76 lbs	99 lbs	103.6 lbs
PRODUCT DIMENSION	W14.8 x H33.9 x D 22.4 inches	W14.8 x H33.9 x D 22.4 inches	W 23.4 x H33 x D 22.4 inches	W 23.4 x H33 x D 22.4 inches

MODEL	EMPV-WC05S	EMPV-WC06D	EMPV-WC07S	EMPV-WC08D
VOLUME	350 L	303 L	440 L	404 L
VOLTAGE	AC 110-120V	AC 110-120V	AC 110-120V	AC 110-120V
FREQUENCY	60Hz	60Hz	60Hz	60Hz
PROTECTION TYPE	I	I	I	I
CLIMATE CLASS	SN.N	SN.N	SN.N	SN.N
INPUT POWER	180 Watt	180 Watt	180 Watt	180 Watt
ENERGY CONSUMPTION	0.600 Kw.h/24h	0.644 Kw.h/24h	0.735 Kw.h/24h	0.578 Kw.h/24h
TEMPERATURE RANGE	40-66°F (5-18°C)	Upper zone:40-50°F (5-10°C) Lower zone:50-66°F (10-18°C)	40-66°F (5-18°C)	Upper zone:40-50°F (5-10°C) Lower zone:50-66°F (10-18°C)
NET WEIGHT	180.8 lbs	191.8 lbs	221.1 lbs	228.2 lbs
PRODUCT DIMENSION	W23.4 x H55 x D 26.8 inches	W 23.4 x H 55 x D 26.8 inches	W 23.4 x H 69.6 x D 26.8 inches	W 23.4 x H 69.6 x D 26.8 inches

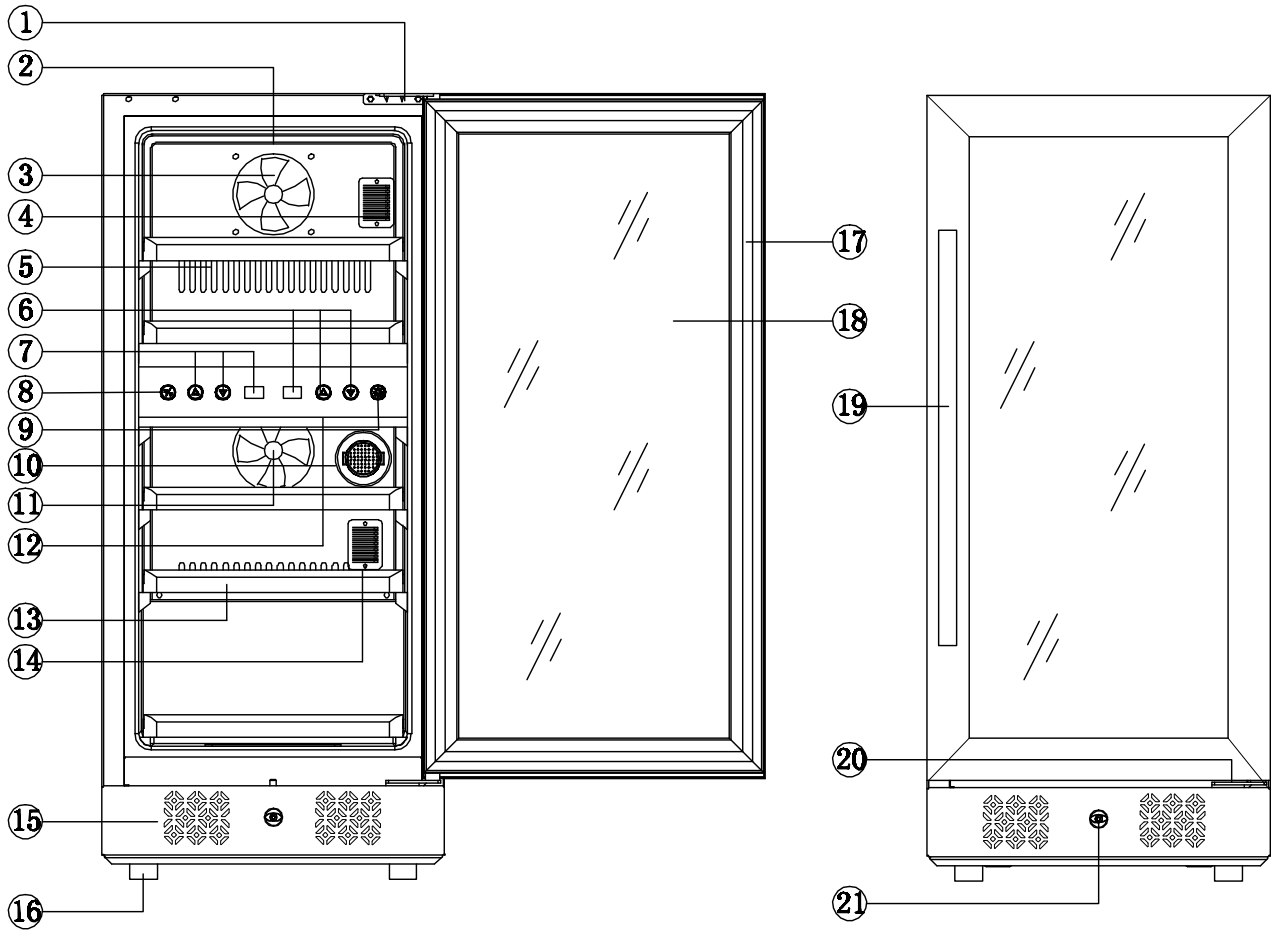
# 5. Device Overview

Model No.: EMPV-WC01S



1. Upper Hinge	2. Lighting Switch	3. Temp. Button	4. Display
5. Temp. Button	6. °F/°C Switch	7. LED Light	8. Cooling Fan
9. Carbon Filter	10. Temp. Sensor	11. Evaporator	12. Shelf
13. Exhaust Window	14. Foot	15. Door Seal	16. Glass
17. Handle	18. Down Hinge	19. Lock	

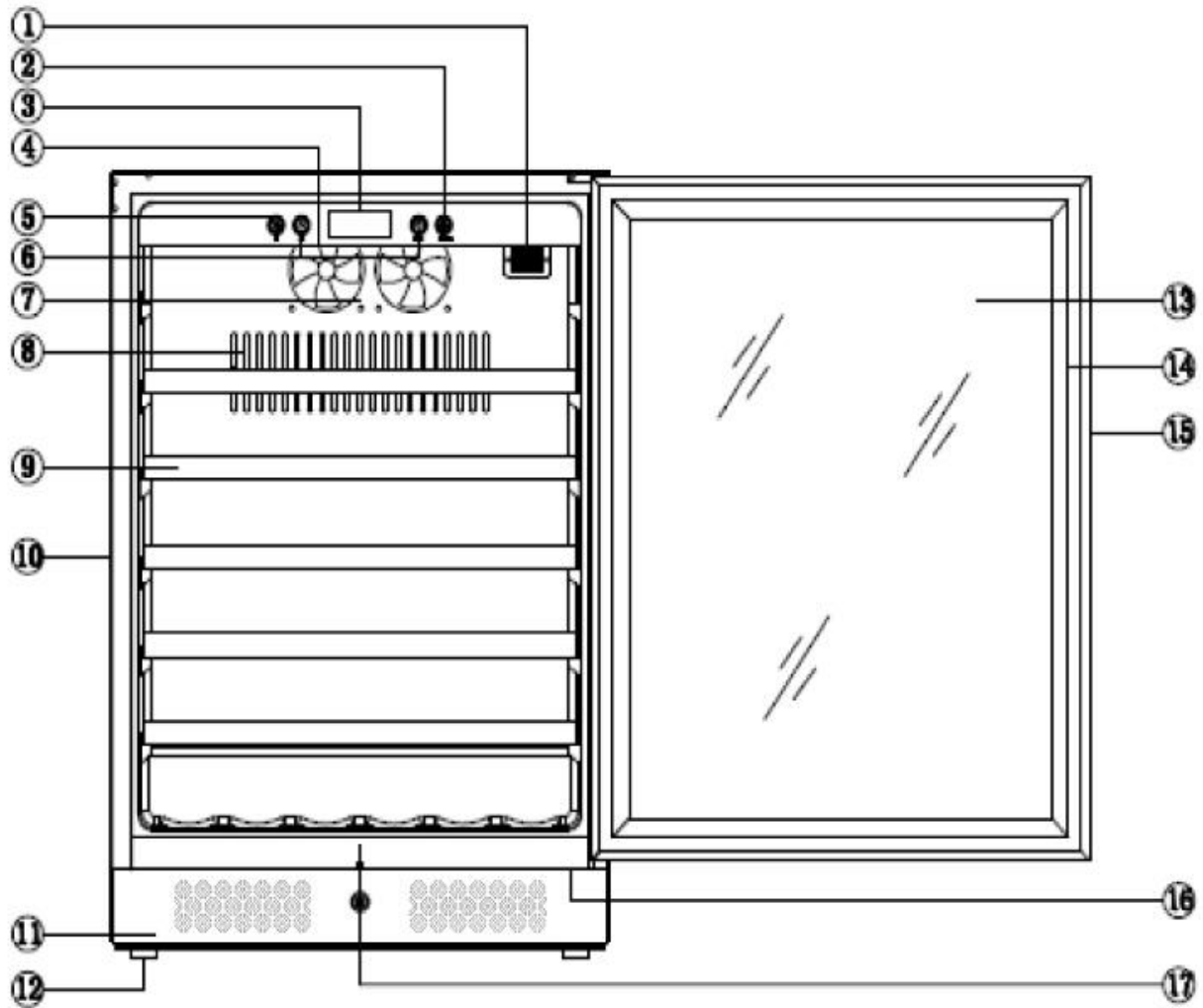
**Model No.:** EMPV-WC02D



1. Upper Hinge	2. Upper zone light	3. Fan	4. NTC point
5. Exhaust window	6. Lower zone temperature	7. Upper zone temperature	8. °F/°C Switch
9. Lighting switch	10. Carbon filter	11. Fan	12. Lower zone light
13. Shelf	14. NTC point	15. Exhaust Window	16. Foot
17. Door Seal	18. Glass	19. Handle	20. Down Hinge
21. Lock			

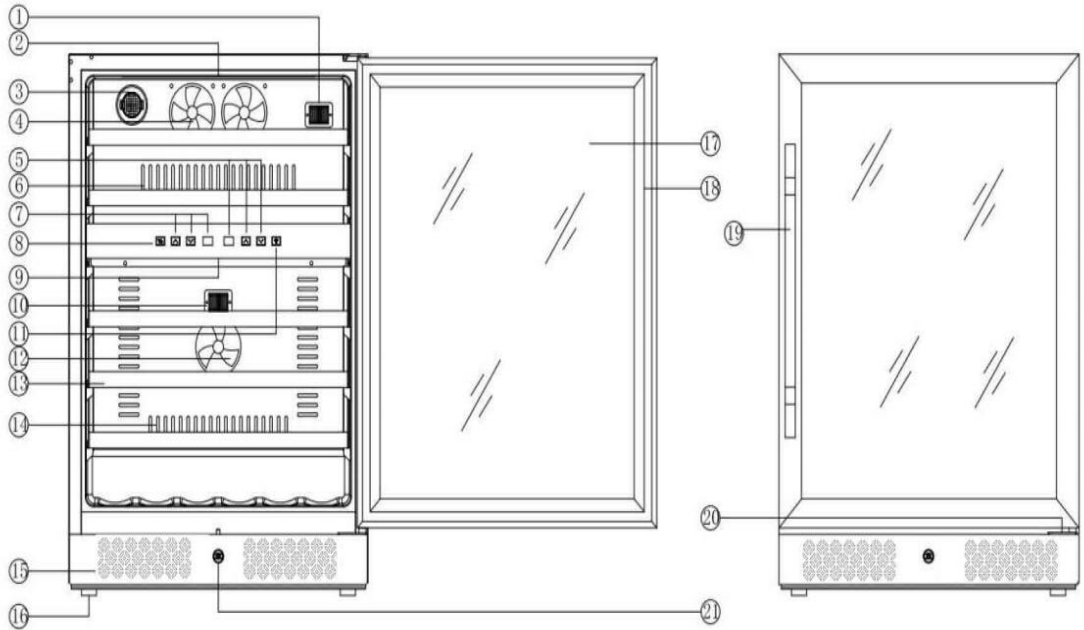


Model No.: EMPV-WC03S



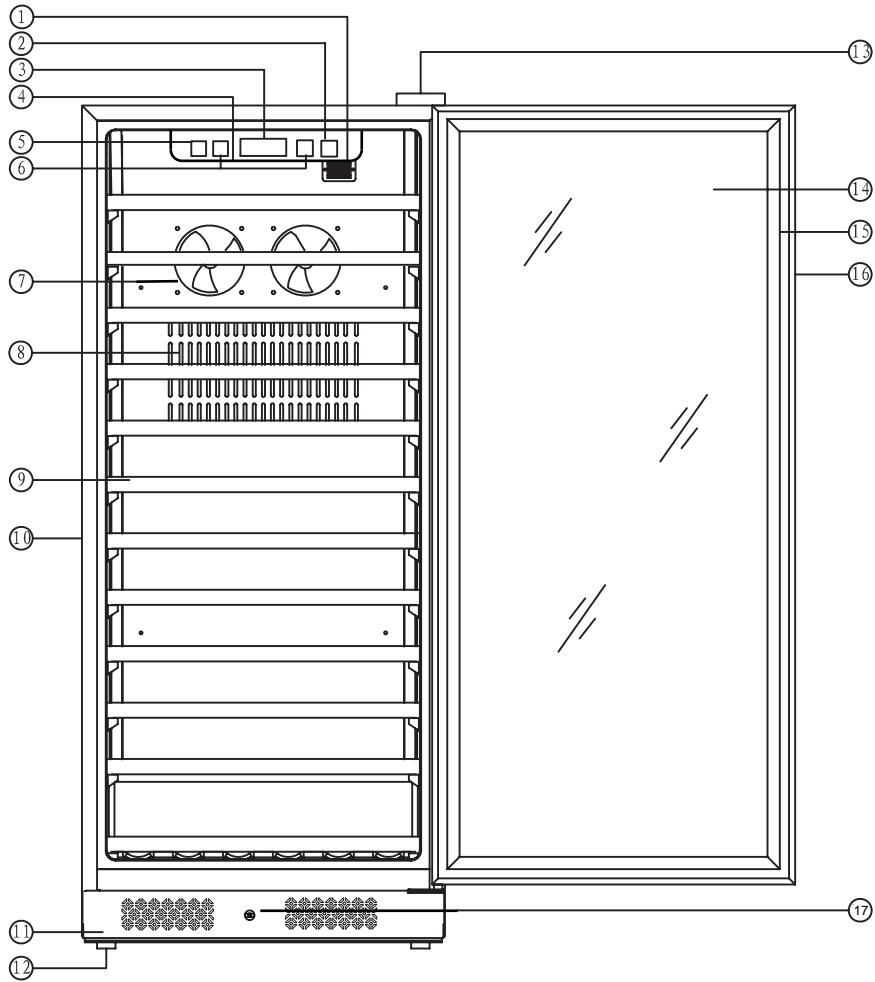
1. NTC point	2. Light switch	3. Temperature display	4. Light
5. °F/°C Switch	6. Temperature setting	7. fan	8. Exhaust window
9. Shelf	10. Body	11. Exhaust window	12. Foot
13. Glass	14. Door seal	15. Handle	16. Lower hinge
17. Lock			

**Model No.: EMPV-WC04D**



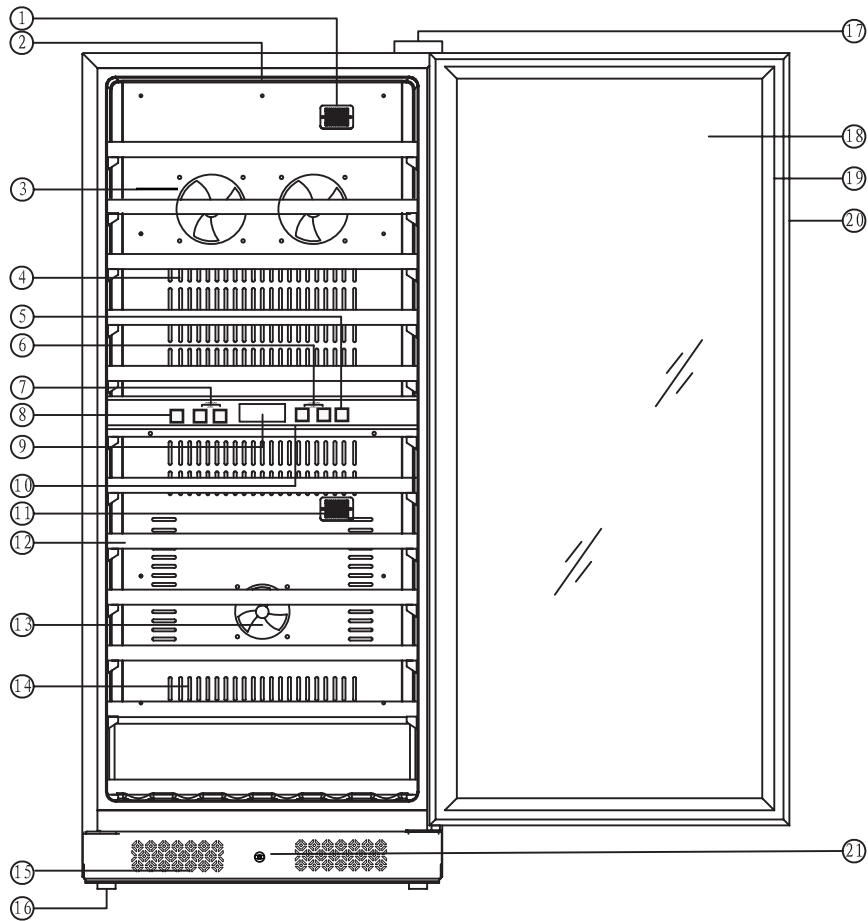
1. NTC point	2. Upper zone light	3. Carbon fliter	4. Fan
5. Lower zone temperature	6. Exhaustwindow	7. Upper zone temperature	8. °F/°C Switch
9. Lower zone light	10. NTC point	11. Light switch	12. Lower zone fan
13. Shelf	14. Exhaustwindow	15. Exhaust Window	16. Foot
17. Glass	18. Door Seal	19. Handle	20. Down Hinge
21. Lock			

**Model No.:** EMPV-WC05S



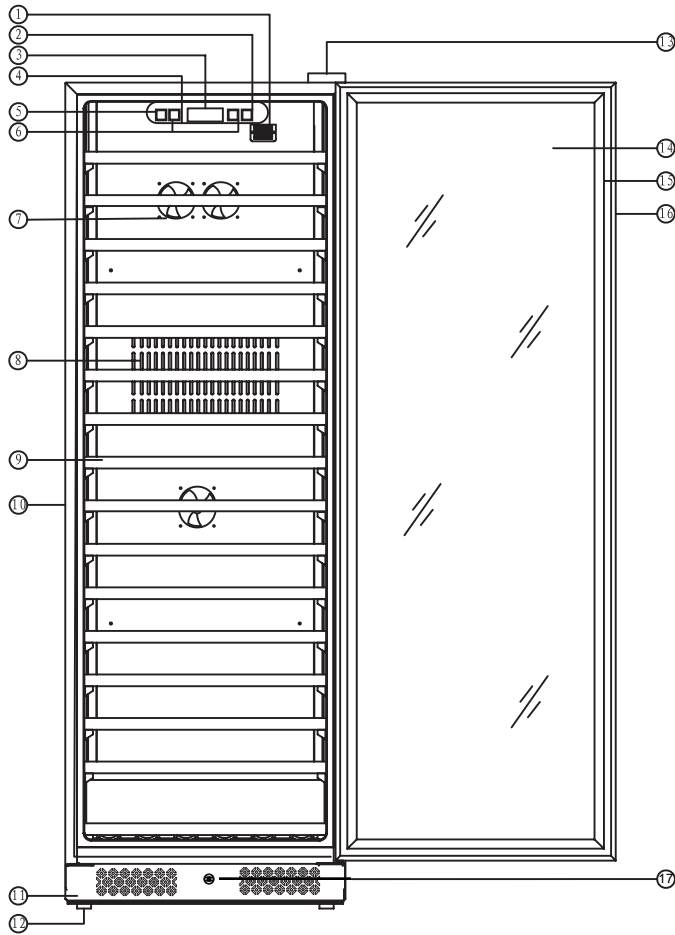
1. NTC point	2. Light switch	3. Temperature display	4. Light
5. °F/°C Switch	6. Temperature switch	7. Fan	8. Exhaust window
9. Shelf	10. Body	11. Exhaust window	12. Foot
13. Upper hinge	14. Glass	15. Door seal	16. door frame
17. Lock			

**Model No.: EMPV-WC06D**



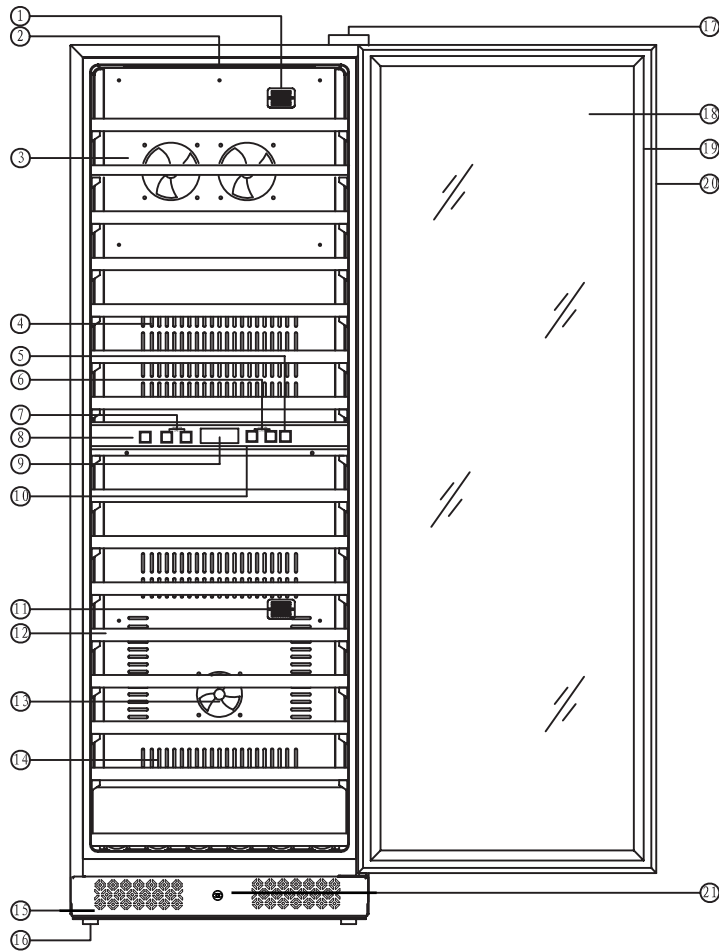
1. NTC point	2. Light	3. Fan	4. Exhaust window
5. Light switch	6. Lower zone Temperature	7. Upper zone temperature	8. °F/°C Switch
9. Display	10. Light	11. NTC point	12. Shelf
13. Fan	14. Exhaust window	15. Exhaust window	16. Foot
17. Upper hinge	18. Glass	19. Door seal	20. Door frame
21. Lock			

**Model No.:** EMPV-WC07S



1. NTC point	2. Light switch	3. Temperature display	4. Light
5. °F/°C Switch	6. Temperature switch	7. Fan	8. Exhaust window
9. Shelf	10. Body	11. Exhaust window	12. Foot
13. Upper hinge	14. Glass	15. Door seal	16. Door frame
17. Lock			

**Model No.:** EMPV-WC08D



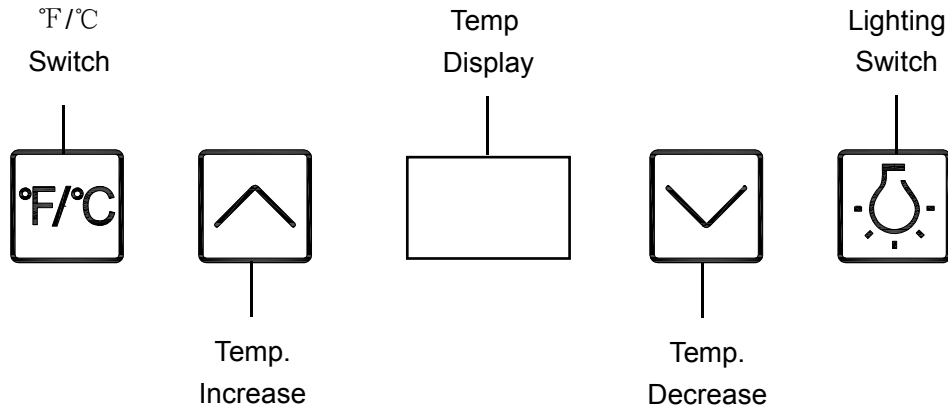
1. NTC point	2. Light	3. Fan	4. Exhaust window
5. Light switch	6. Lower zone temperature	7. Upper zone temperature	8. °F/°C Switch
9. Display	10. Light	11. NTC point	12. Shelf
13. Fan	14. Exhaust window	15. Exhaust window	16. Foot
17. Upper hinge	18. Glass	19. Door seal	20. Door frame
21. Lock			

## 6. Before Initial Operation

- Leave the appliance in an upright position for 4–6 hours before you connect it to the mains.
- Clean the appliance thoroughly. Be very careful, especially inside the appliance (see chapter Cleaning and Maintenance).
- The appliance must be connected to the mains properly.
- Allow the appliance to stabilize the temperature for approx. 24 h before use.
- Do not overfill the appliance.

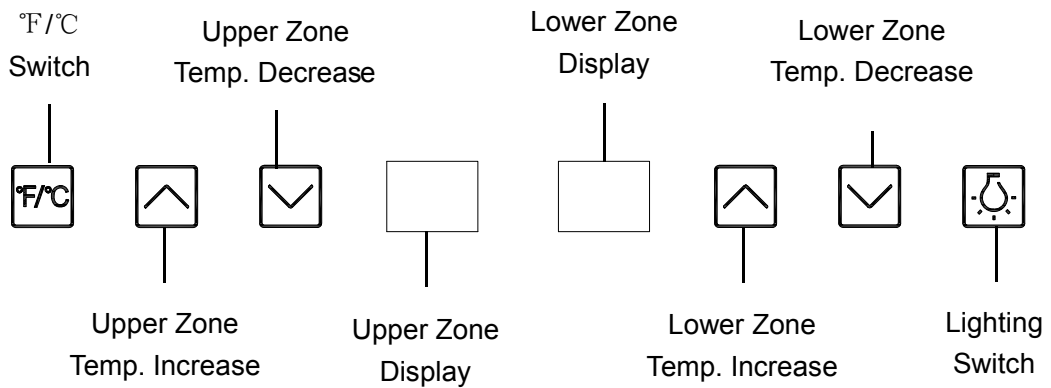
## 7. Temperature Setting

**Model No.:** EMPV-WC01S / EMPV-WC03S / EMPV-WC05S / EMPV-WC07S



- Temperature range: 40-66°F (5-18°C) .
- Flashing LED = Setting mode of the temperature.
- Constant LED = Cooling temperature.

**Model No.:** EMPV-WC02D / EMPV-WC04D / EMPV-WC06D / EMPV-WC08D



- Temperature range: Upper Zone:40-50°F (5-10°C) ;Lower Zone:50-66°F (10-18°C)
- Flashing LED = Setting mode of the temperature.
- Constant LED = Cooling temperature.



## 8. Operation

- **The appliance can only reach the relevant temperatures when:**

1. The ambient temperature meets the climatic class.
2. The doors close properly.
3. You do not open the doors too often or too long.
4. The door seals are in proper condition.
5. The appliance is properly positioned.
6. You have not overfilled the appliance.
7. You do not store warm or hot food in the appliance.

## 9. Energy Saving

- Try opening the door as little as possible, especially when the weather is warm and humid. When you open the door, close it as soon as possible.
- Make sure the appliance is always well-ventilated.
- Disconnect the appliance from the mains if you do not operate it.
- Always keep the door seals clean and in a proper condition.

## 10. Cleaning and Maintenance

**WARNING**

Disconnect the appliance from the mains before you clean or maintain it.

- Always keep the appliance clean so that unpleasant odors do not occur.
- Dust deposits on the condenser will increase the energy consumption. Clean the condenser twice a year with a vacuum cleaner or a soft brush.
- Take off all rings and bracelets before cleaning or maintaining the appliance, otherwise you may damage the surface of the appliance.

### Detergent

- Do not use any harsh, abrasive detergents.
- Do not use any aggressive detergents.
- Do not use any solvents.

## External Cleaning

- Use a moist cloth and a mild, non-acid detergent.
- Use clear water to rinse.
- Try the cleaned surfaces with a cloth.

## Internal Cleaning

- Clean the shelves and the other removable parts with warm water and a mild, non-acid detergent.
- Use clear water to rinse.
- Dry the cleaned surfaces with a cloth.
- Clean the interior with water and a mild, non-acid detergent.
- Use clear water to rinse.
- Dry the cleaned surfaces with a cloth.
- Check the water drain and clean it if needed.

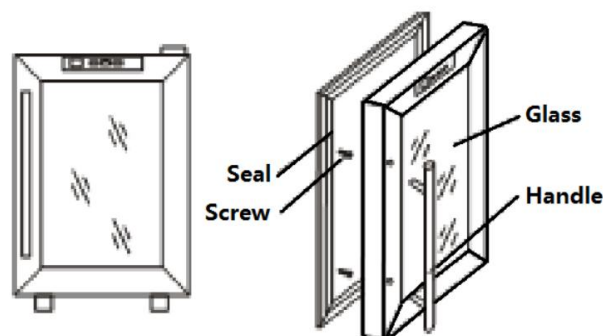
## 11. How to Move the Appliance

- Remove all bottles.
- Securely tape down all loose items inside the appliance.
- Turn the level feet up to the base to avoid damage.
- Tape the door.
- The appliance must be moved in an upright position.

## 12. Installation

- **To install the door handle:**

For the shipment, the door handle has been stored inside of the binding to the wood shelves. To install the handle, the door gasket should be gently pulled back where the screw holes for the handle, then the handle should be attached by screwing with the two screws which are packed in the box with this instruction manual and other spare parts.

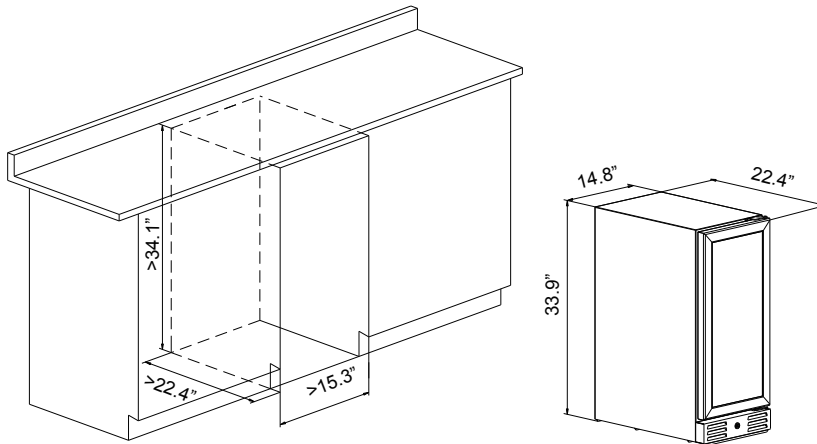


- **To reverse the door swing:**

As you received your wine cooler, the door swings open at the left. If you wish to reverse the swing so that the door opens from the right, it is most important too have at least one other person to help. **It is very dangerous to try to reverse the door swing by yourself**, without anybody's help the door might fall and glass might be broken, which is terribly dangerous.

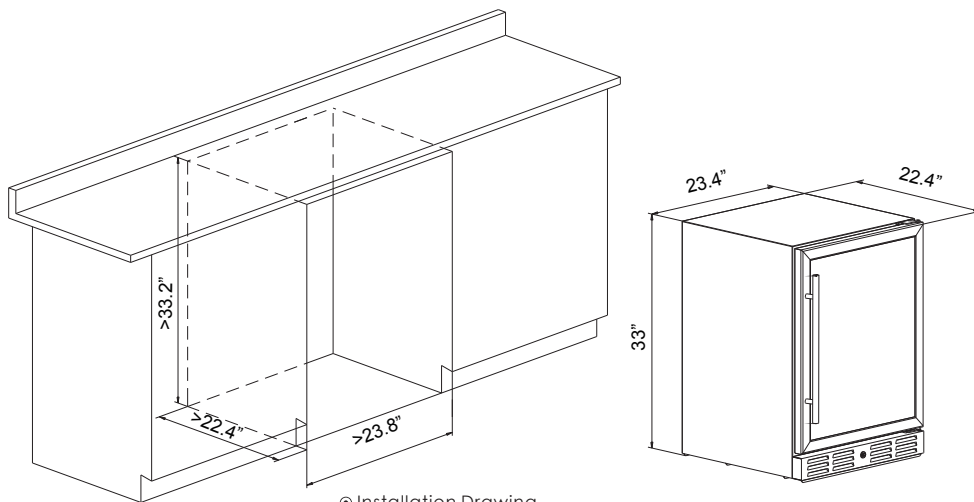
- **Suggest Cabinet Dimension:**

EMPV-WC01S&EMPV-WC02D



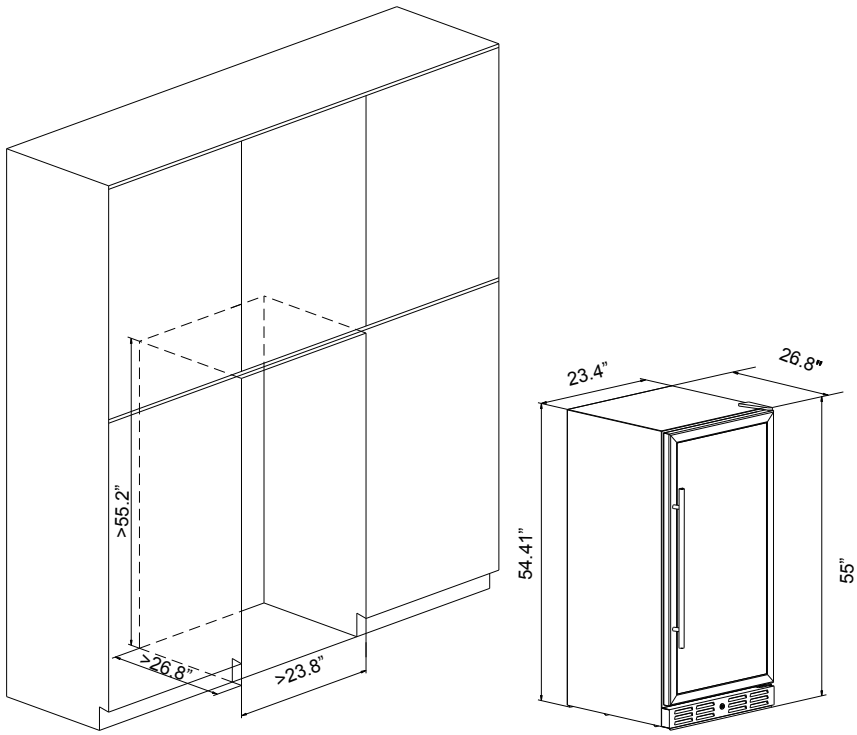
© Installation Drawing

EMPV-WC03S&EMPV-WC04D



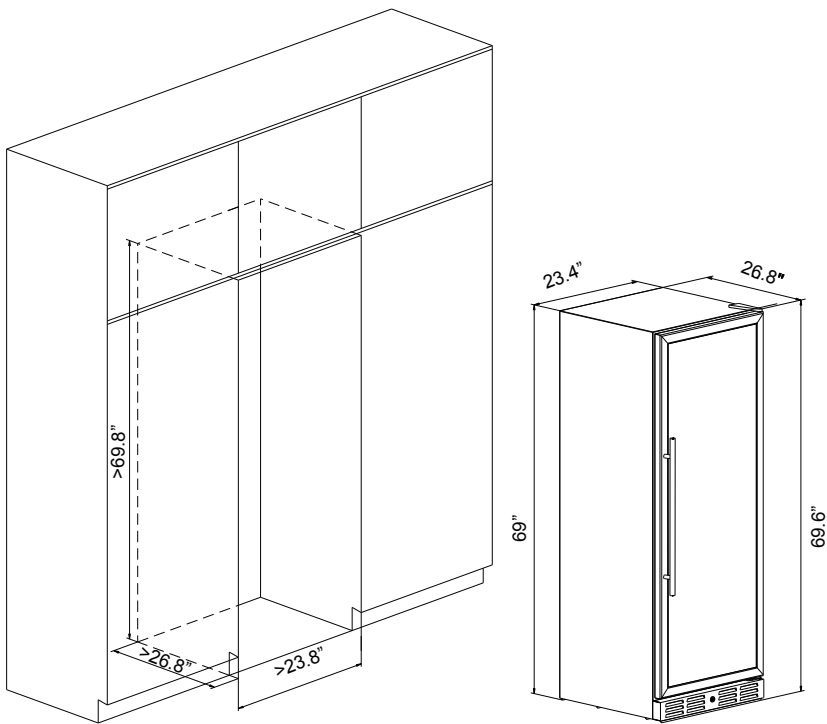
© Installation Drawing

EMPV-WC05S&EMPV-WC06D



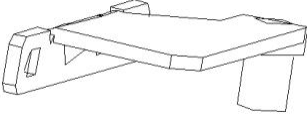
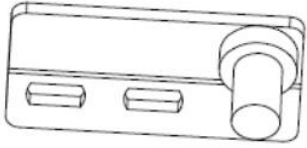
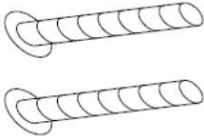




© Installation Drawing

EMPV-WC07S&EMPV-WC08D



© Installation Drawing

● Spare Parts Details:

Spare Parts	Pictures	Use
Upper Hinge		To switch the door open from right.
Bottom Hinge		To switch the door open from tight.
Screw x 2		For the handle installation.
Gasket x 2		For the handle installation.
Key x 2		To lock the door.
Big rubber plug x 1		To cover the hole on the left front corner of the body.
Round rubber plug		To cover the holes on the left front corner of the body.

## 13. Trouble Shooting

POSSIBLE CAUSE	MEASURE
The plug of the appliance is not connected to the socket.	Check the corresponding socket by connecting it with another appliance.
The plug has become loose.	Check the fuse box.
<ul style="list-style-type: none"> <li>• The socket is not supplied with energy.</li> <li>• The fuse is switched off.</li> <li>• The voltage is too low.</li> </ul>	Compare the data on the model plate with the data of your energy supplier.
The door was frequently opened.	Close the door properly.
The door is not properly closed.	Do not overfill.
<ul style="list-style-type: none"> <li>• The appliance is overfilled. The door seals are damaged.</li> </ul>	Replace the seal.
<ul style="list-style-type: none"> <li>• Main control board is defective.</li> <li>• PCB is defective.</li> <li>• Plug is defective.</li> </ul>	Contact the service.
<ul style="list-style-type: none"> <li>• LED is defective.</li> <li>• Temperature cannot be determined.</li> </ul>	Contact the service.
The appliance is not installed on a level, dry, solid floor.	Realign the appliance. Readjust the appliance.
The appliance is in contact with a wall or another item. The bottles are incorrectly positioned.	Realign the bottles.
Some items have dropped behind the appliance.	Remove these items.
The appliance is not installed on a level, dry, solid floor.	Realign the appliance.
Door seal is defective.	Replace the door seal.
Shelves are not inserted properly.	Insert the shelves properly.
Control panel is defective.	Contact the service.

## 14. Decommission

- **If the appliance is not used for a longer period of time:**

1. Draw the plug out of the socket.
2. Remove all food stored in the appliance.
3. Dry the inside of the appliance with a cloth and leave the door open for a few days.

- **While away on an average vacation/holiday (14–21 days):**

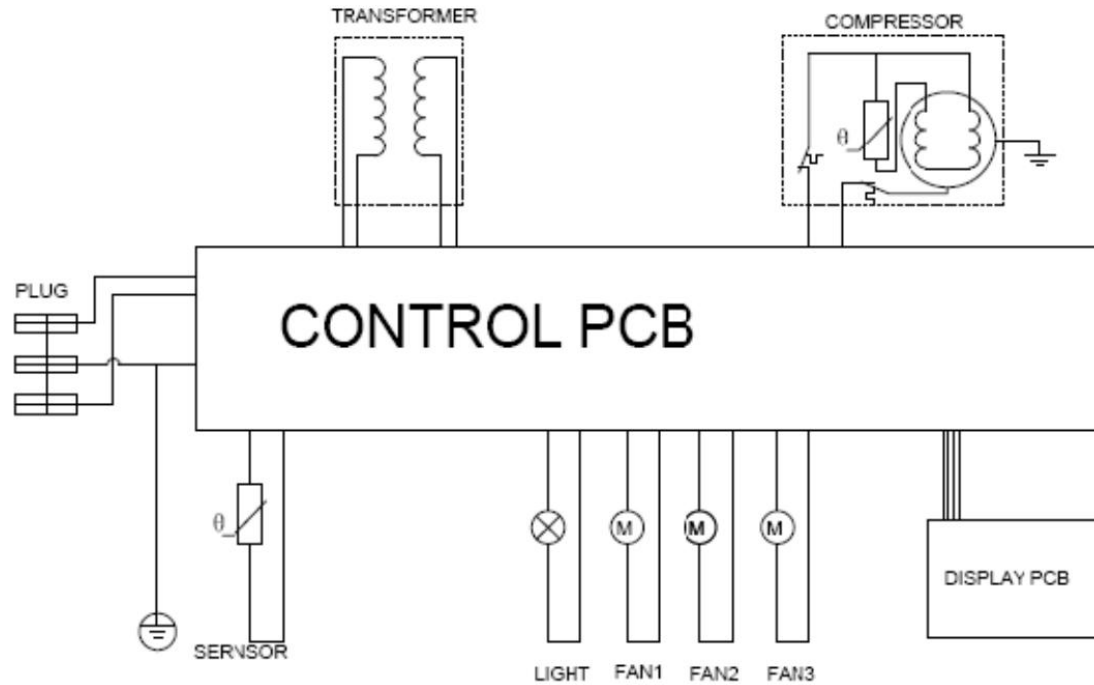
1. Do the same as described above, or do not let the appliance operate.
2. Remove all perishable food from the cooling compartment.
3. Clean the cooling compartment.
4. Freeze all food which is suitable to be frozen.

- **If you want to move the appliance:**

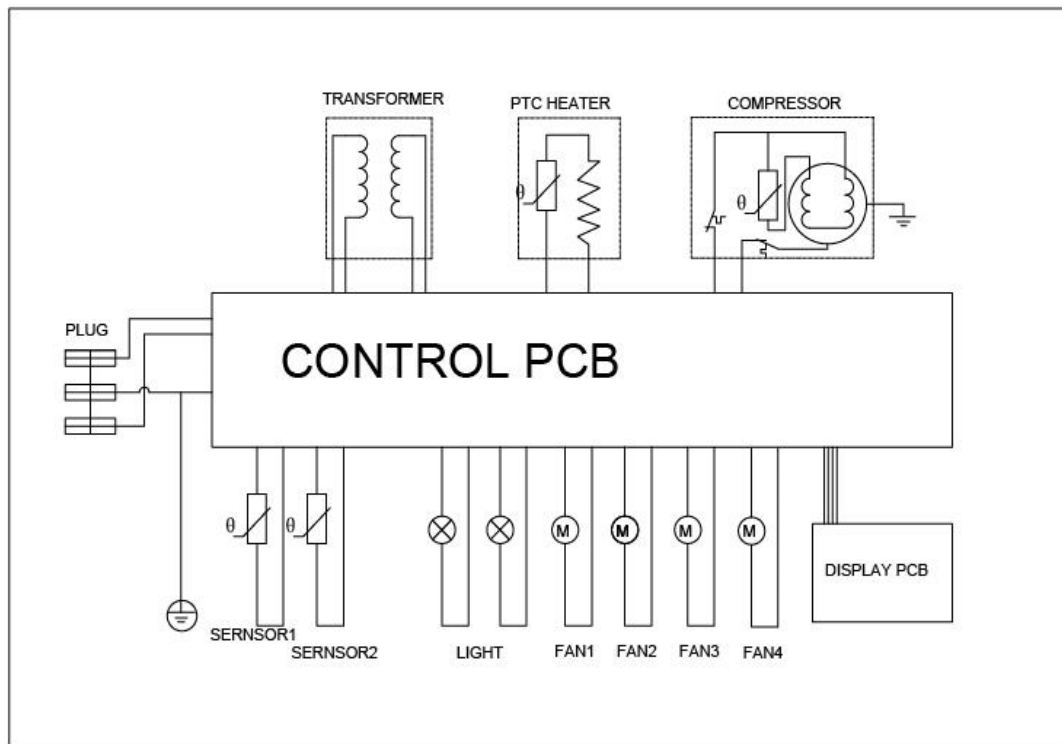
1. Secure all removable parts and the contents of the appliance. Pack them separately if necessary.
2. Transport the appliance in an upright position only. All other positions can cause damage to the compressor.
3. Do not damage the feet of the appliance.

# 15. Electrical Circuit Diagram

Model No.: EMPV-WC01S

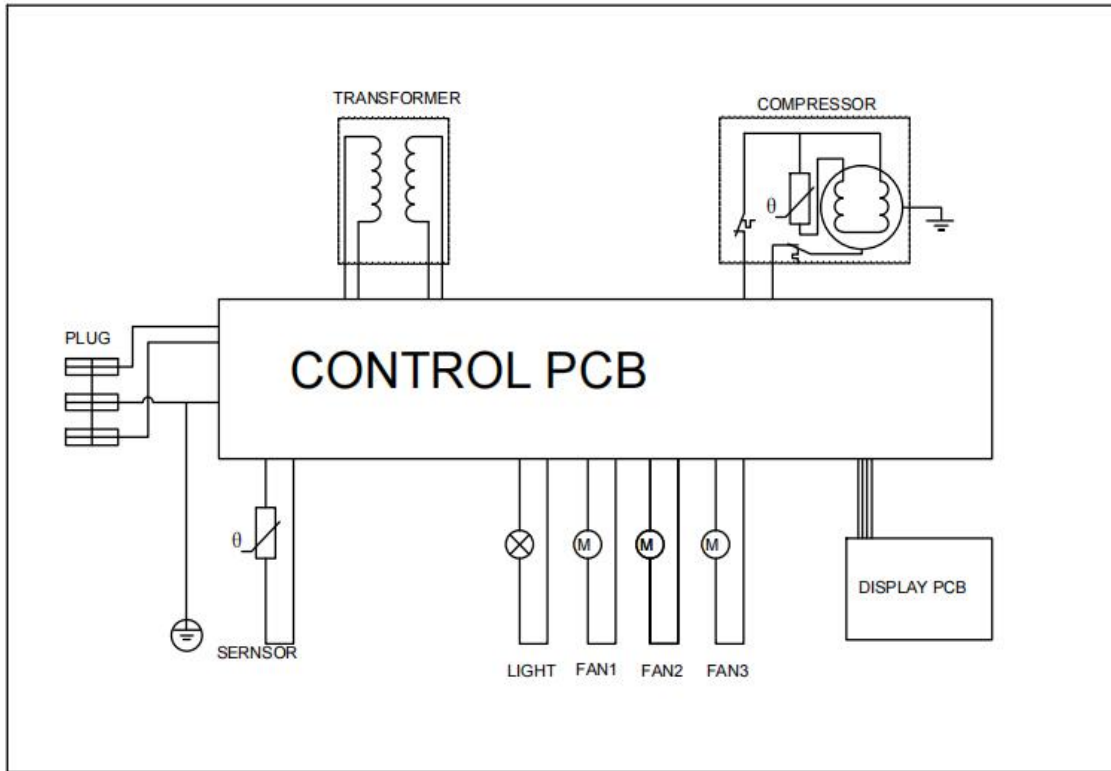


Model No.: EMPV-WC02D

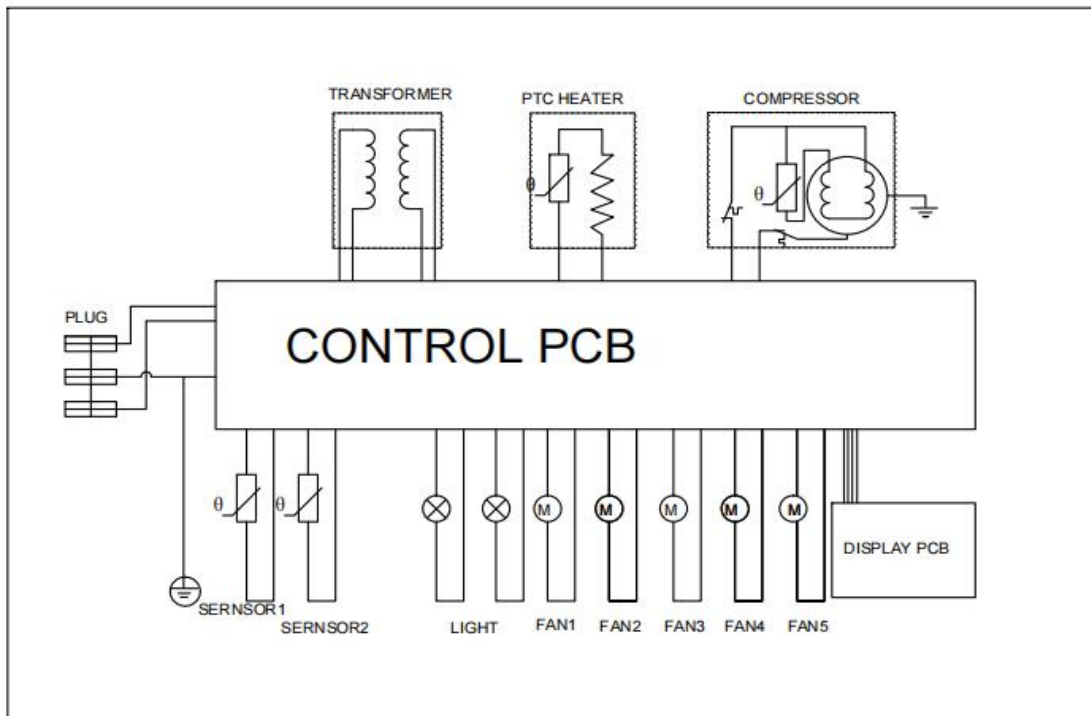




**Model No.:** EMPV-WC03S



**Model No.:** EMPV-WC04D & EMPV-WC06D & EMPV-WC08D



**Model No.:** EMPV-WC05S & EMPV-WC07S

