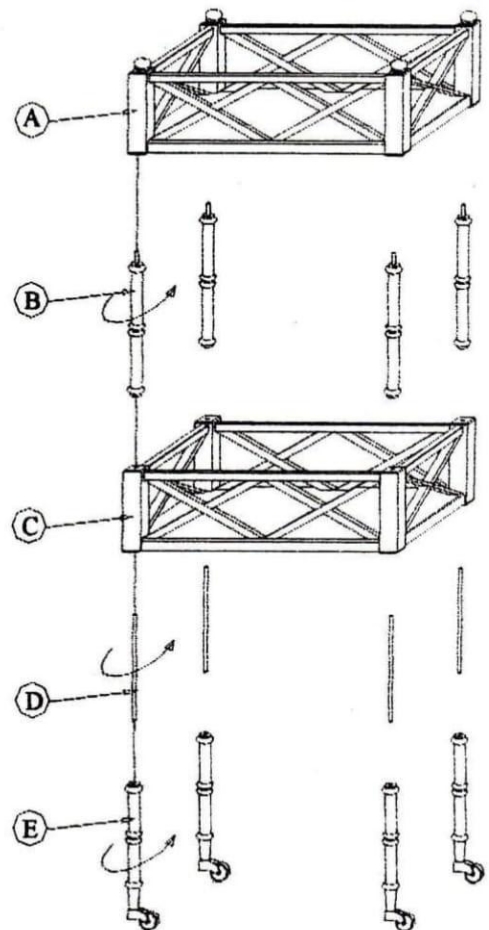


Assembly Instructions

PACKAGED

- (A) 1 - Top
- (B) 4 - Top turnings w/hardware bolt
- (C) 1 - Bottom Shelf
- (D) 4 - Threaded rods (short) for cnt. Turning
- (E) 1 - Legs w/insert one end only



(* Caution: DO NOT OVERTIGHTEN.

In any correspondence regarding this product, please include the complete identification number located on the underside of the product.

We hope this Mobile Bar will be a useful and decorative addition to your home for years to come.