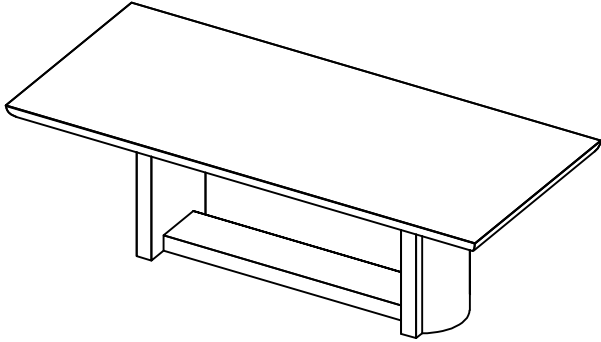








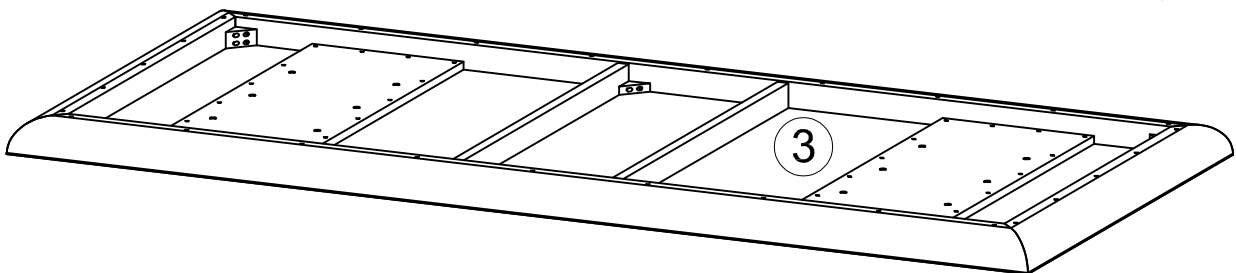
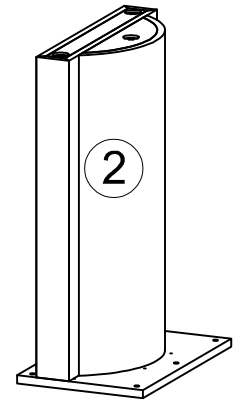
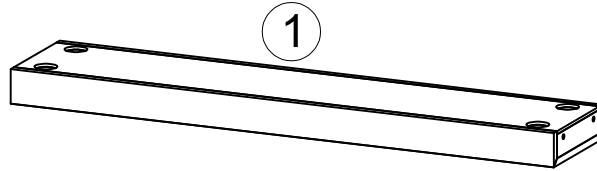
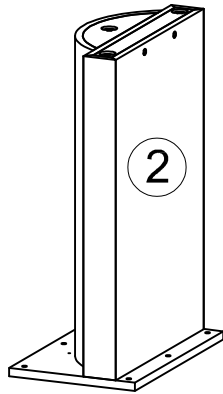


ASSEMBLY INSTRUCTION FOR DINING TABLE

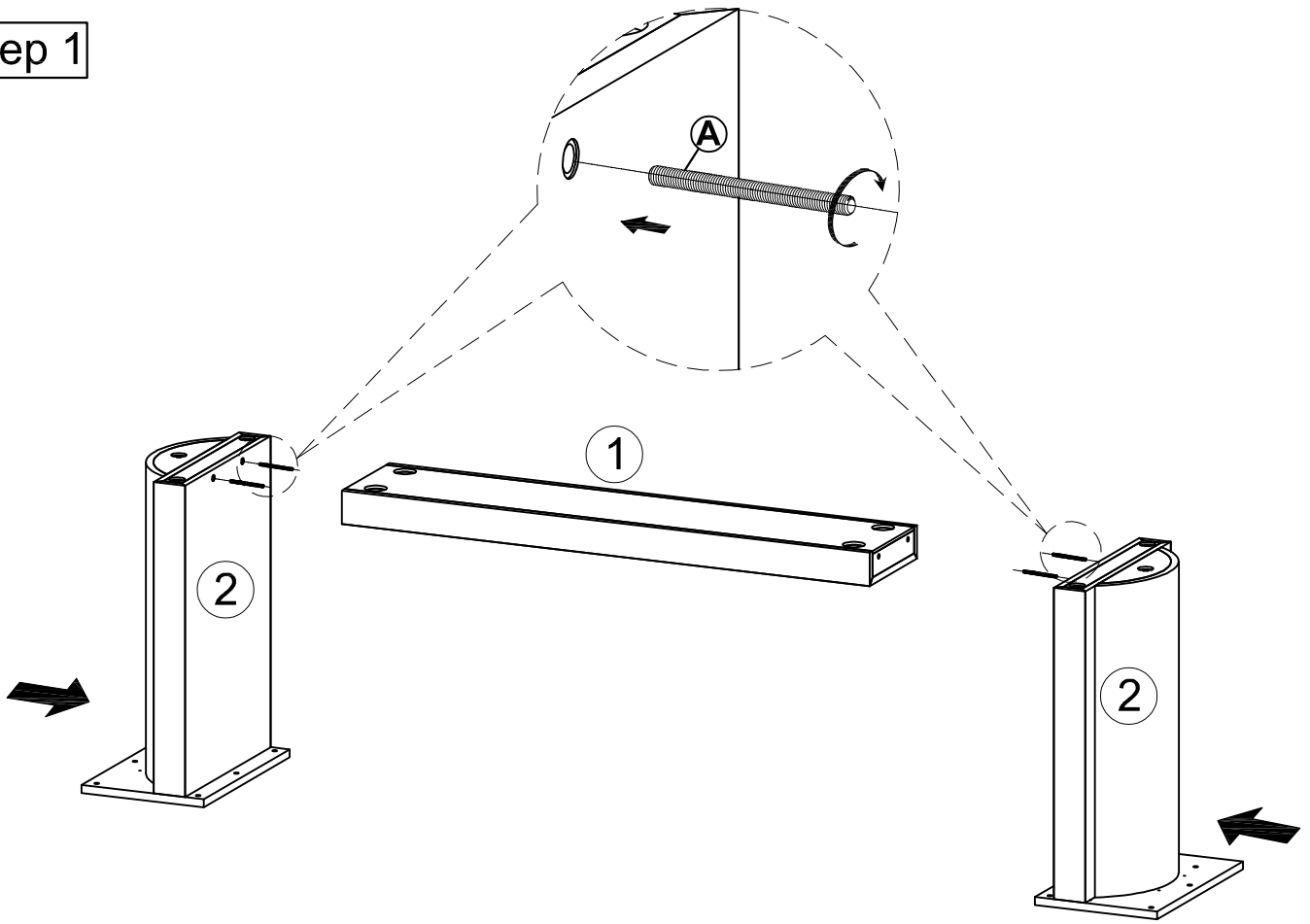


Hardware List

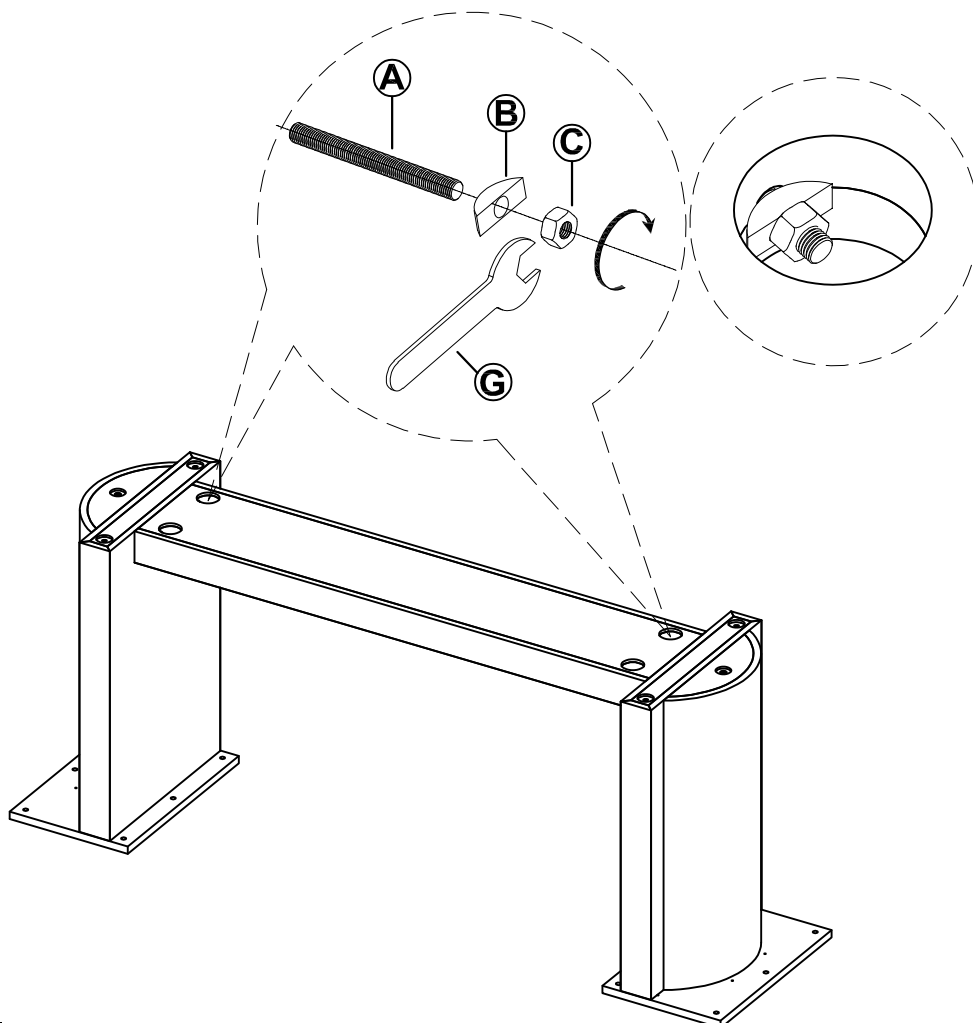
A		Threaded bolt	8x80mm	4
B		Half moon washer	Ø8	4
C		Nut	M8	4
D		Bolt	8x35mm	12
E		Spring Washer	Ø8	12
F		Flat Washer	Ø8	12
G		Wrench	13mm	1
H		Allen Key	5mm	1



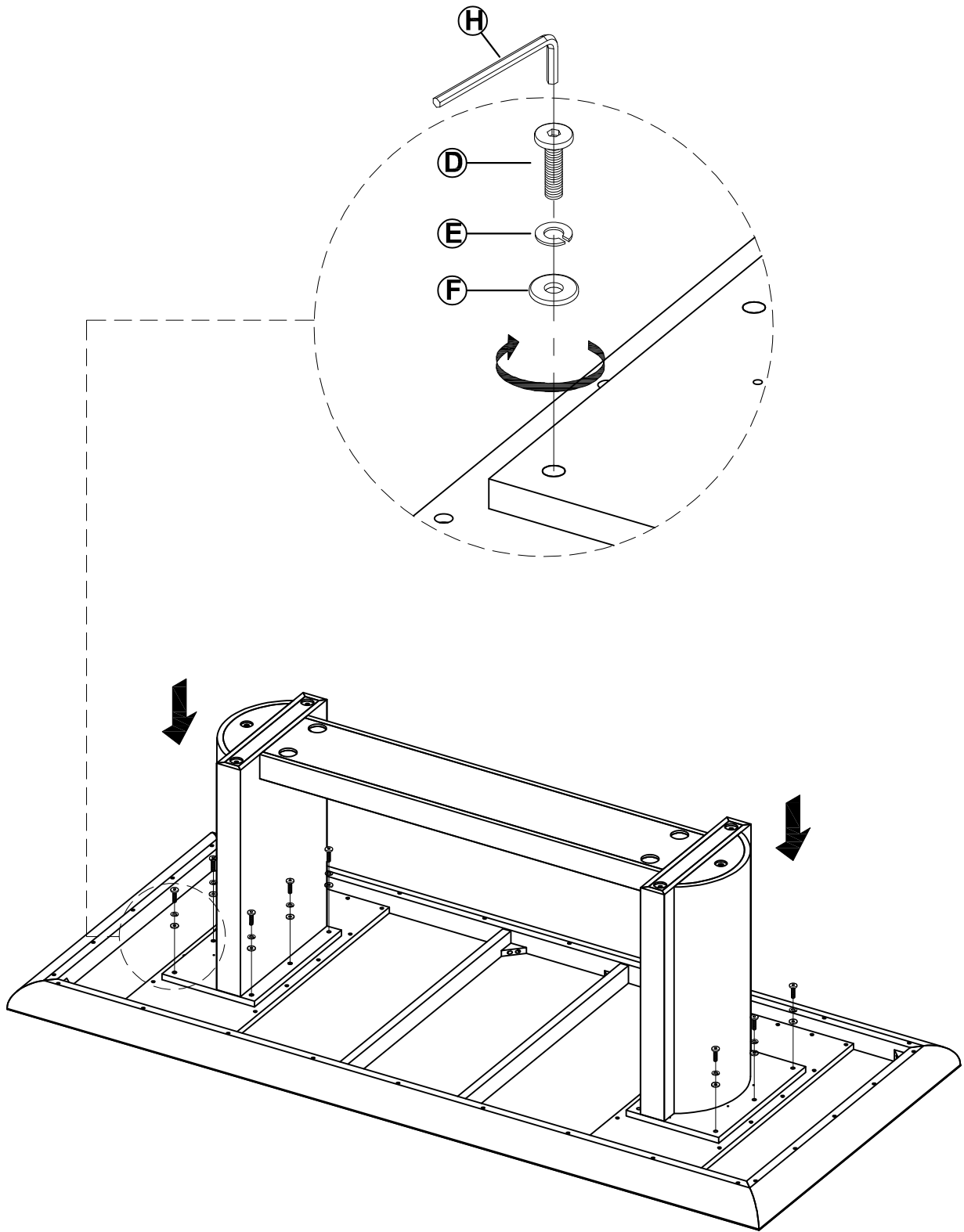
Step 1



Step 2



Step 3



Step 4

