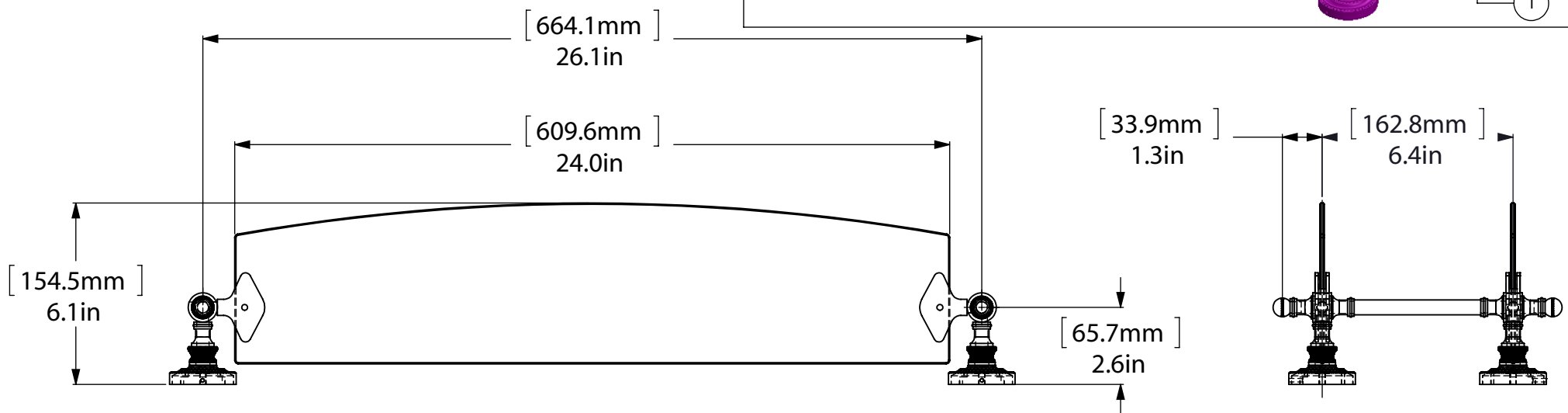
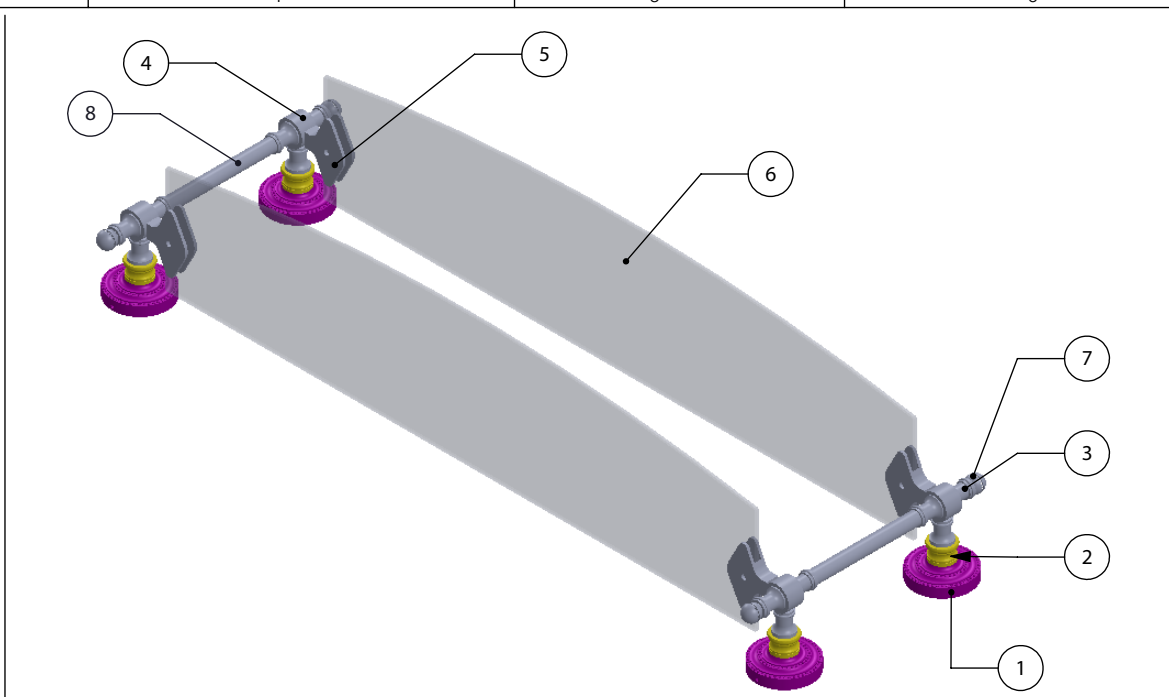
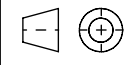


ITEM NO.	P/N	DESCRIPTION	QTY.
1	BPDT	BASE	4
2	NKSL-58	Support	4
3	NKSL-78	Neck	12
4	HB2T-1	Neck Support	4
5	BKSHV	Lock	4
6	GLBV-24	Glass	4
7	BLDT1T-34	Top Ball	4
8	TU12-4.25"	Support Tube	2



UNLESS OTHERWISE STATED		
DO NOT SCALE	X.XXX	+/-0.025
DRAWING	X.XX	+/-0.1
CHAMFER ALL	X.X	+/-0.25
	X	+/-0.75
EDGES 0.5X4°		
DRAWING ISO	ANGLES	
	X.XX	+/-0.05°
	X.X	+/-0.1°
	X	+/-0.5°
	MACHINED FINISH	3.2

MATERIAL	BRASS
----------	-------



FIRST ANGLE PROJECTION