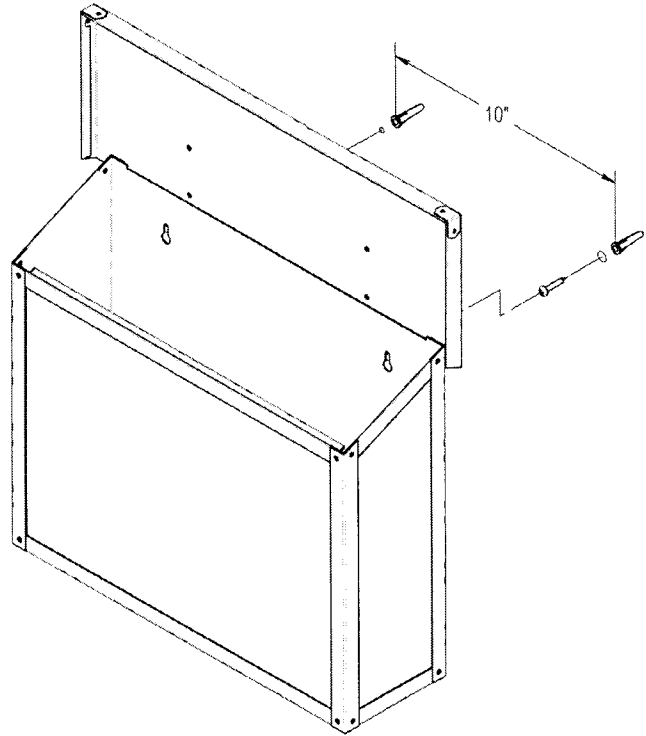


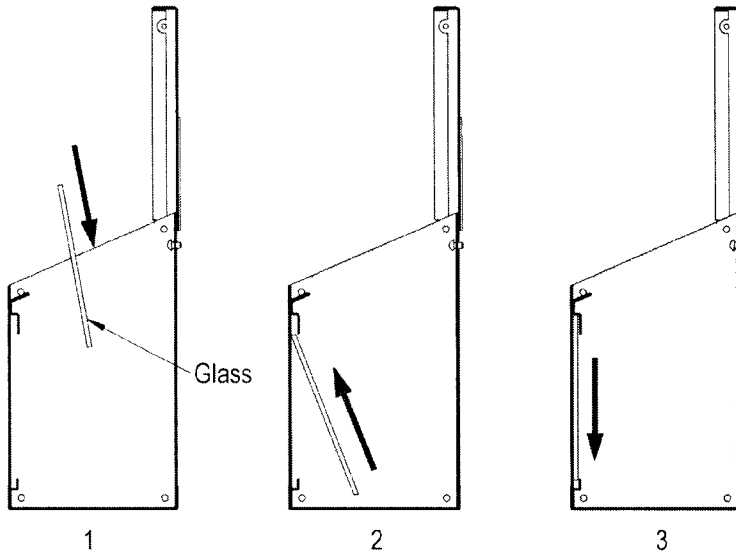
# Installation Instructions

## MAILBOX MOUNTING INSTRUCTIONS - LARGE

1. Using a  $\frac{1}{4}$ " drill bit, mark and drill two level holes 10" apart from each other.
2. Hammer the blue plug anchors into the two  $\frac{1}{4}$ " holes. Screw the two #10 x  $1\frac{1}{2}$ " stainless steel screws into the two blue anchors, leaving  $\frac{1}{2}$ " of threads exposed outside of the wall.
3. Slide the mailbox over the two stainless steel screws using the two key slot holes in the back of the mailbox. Once the heads of the screws have passed the back wall of the mailbox allow the box to drop down and rest level on to the screws. Gently tighten the screws until the mailbox is snug to the wall. Do not over tighten.



## GLASS INSTALLATION INSTRUCTIONS



## OPTIONAL MAGAZINE RACK INSTALLATION

