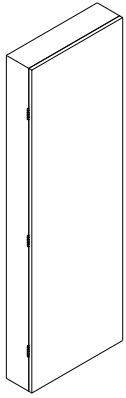
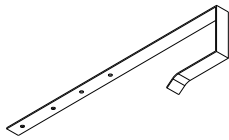


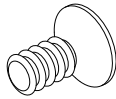
# ASSEMBLY INSTRUCTIONS



**A** x1



**B** x2



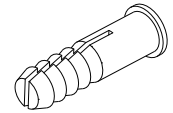
**C** x4



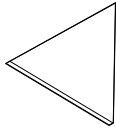
**D** x4



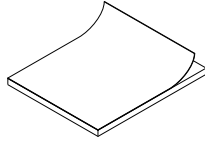
**E** x2



**F** x2



**G** x2

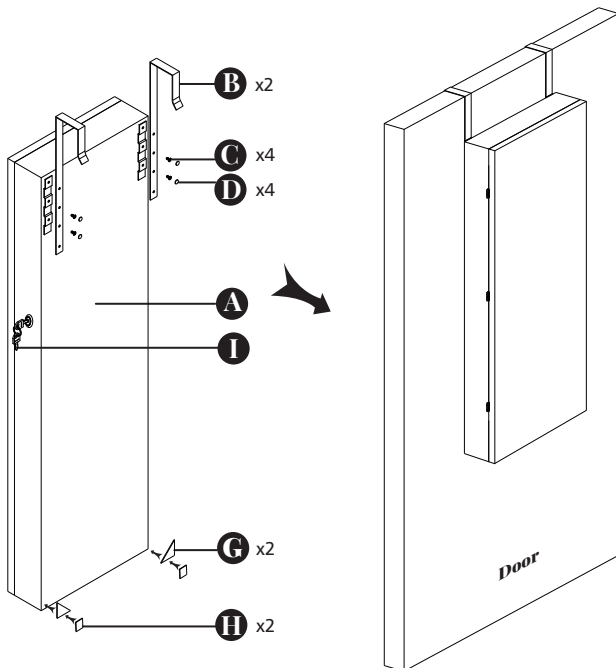


**H** x2

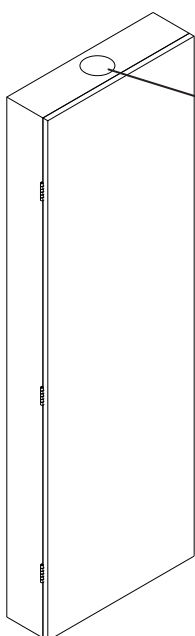
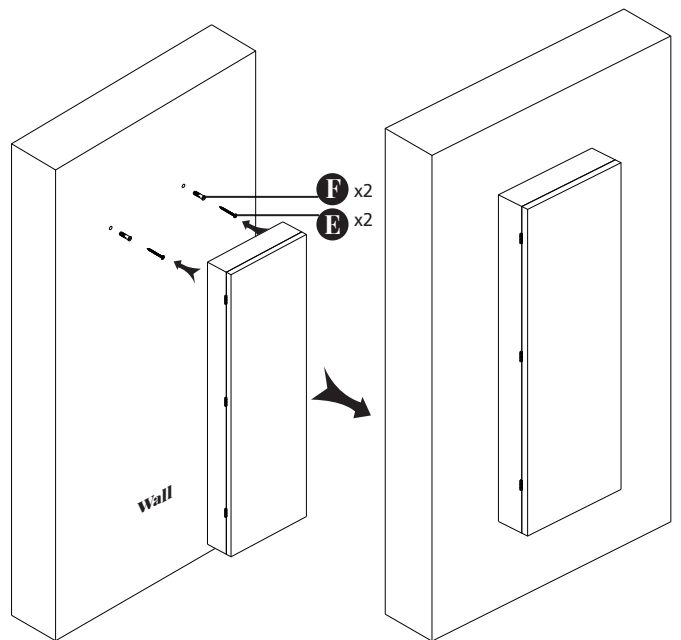


**I** x2

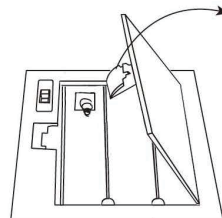
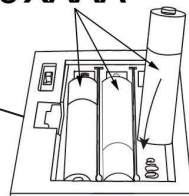
## Over-The-Door Assembly



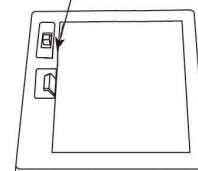
## Wall-Mounted Assembly



**3XAAA**



**on-off**



## Batteries & Accessories

### Activate the LED lights

Remove the battery cover

Make s ure to align the (3)AAA batteries to the correct terminals (+/-)

Put the cover back and activate the switch to enable auto ON/OFF LED lights