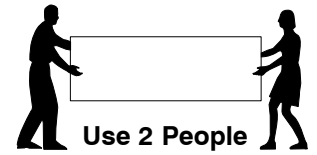
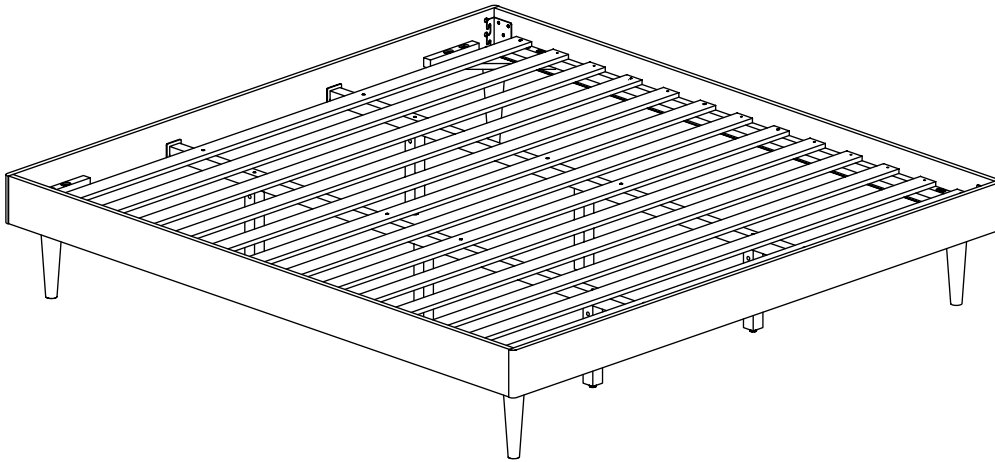


King Bed

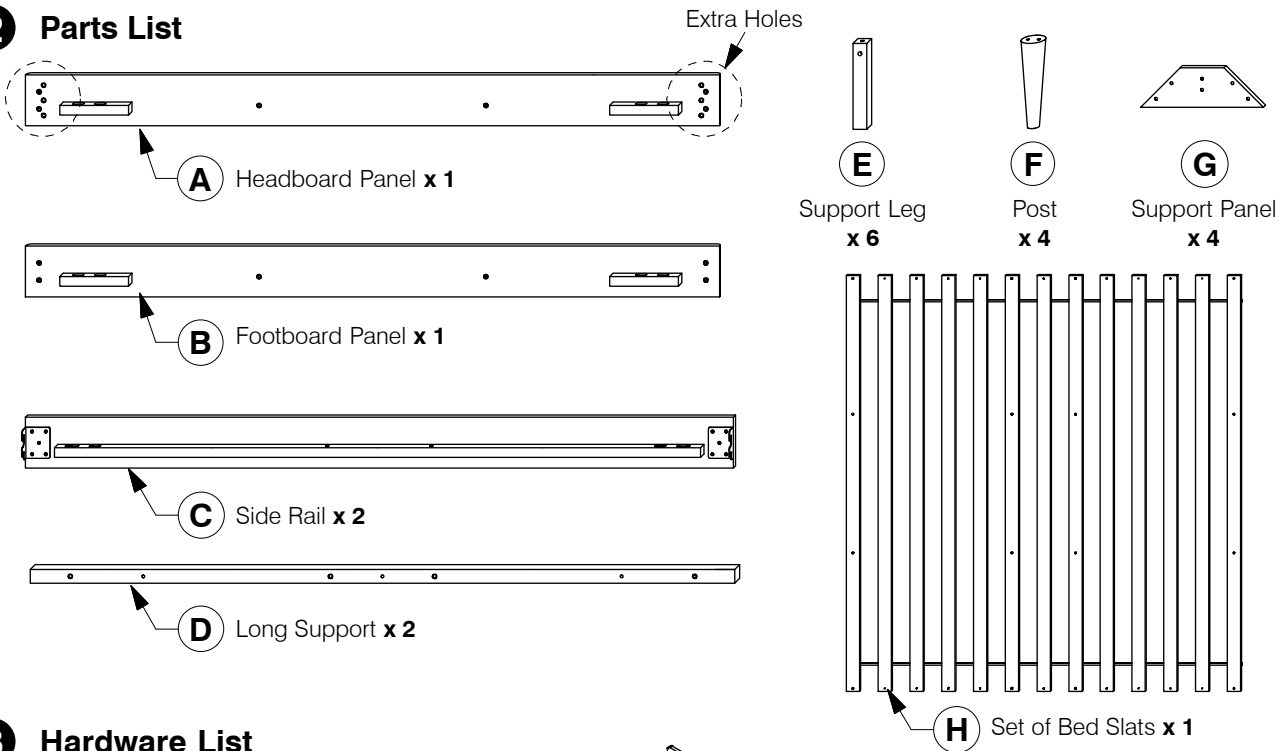
Assembly Instructions

1 Assembled View

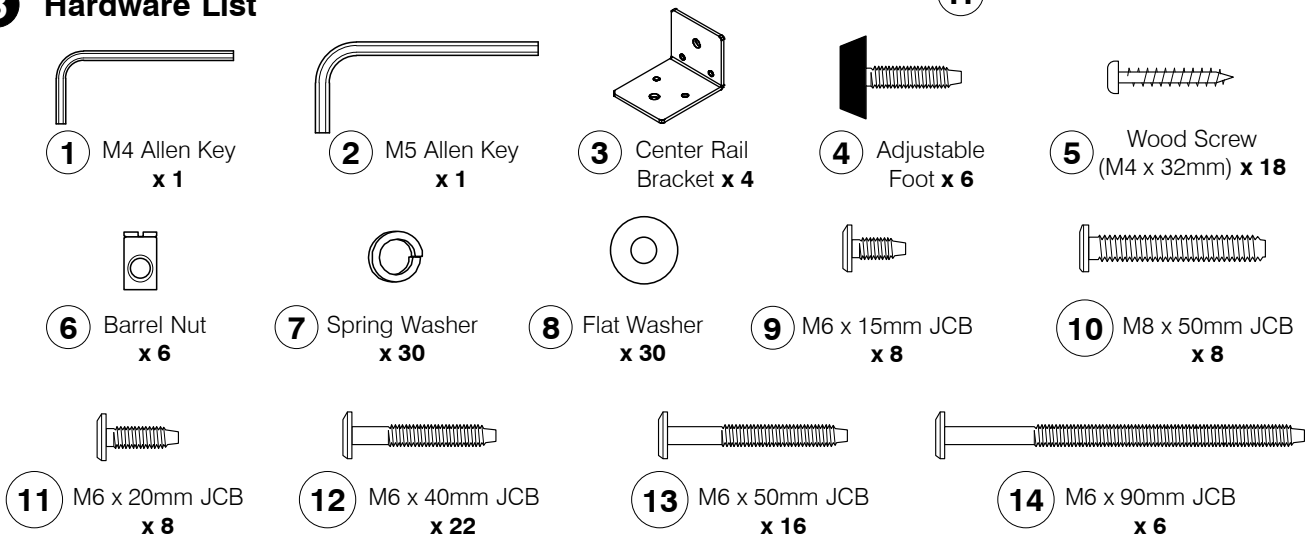


Note: Do not assemble using power tools. This can cause the bolts to be overtightened

2 Parts List



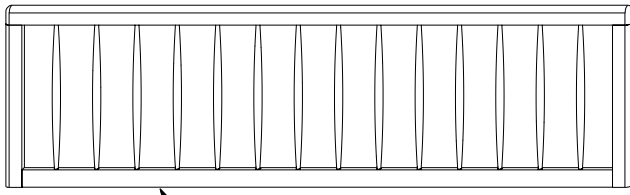
3 Hardware List



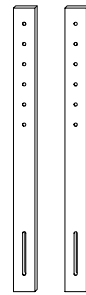
King Headboard

Assembly Instructions

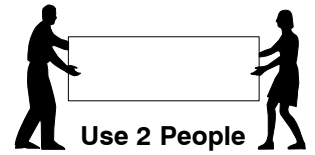
1 Parts List



A Headboard Panel x 1



B Support Bars x 2



2 Hardware List



1 M6 x 35mm JCB x 10



2 Spring Washer x 10



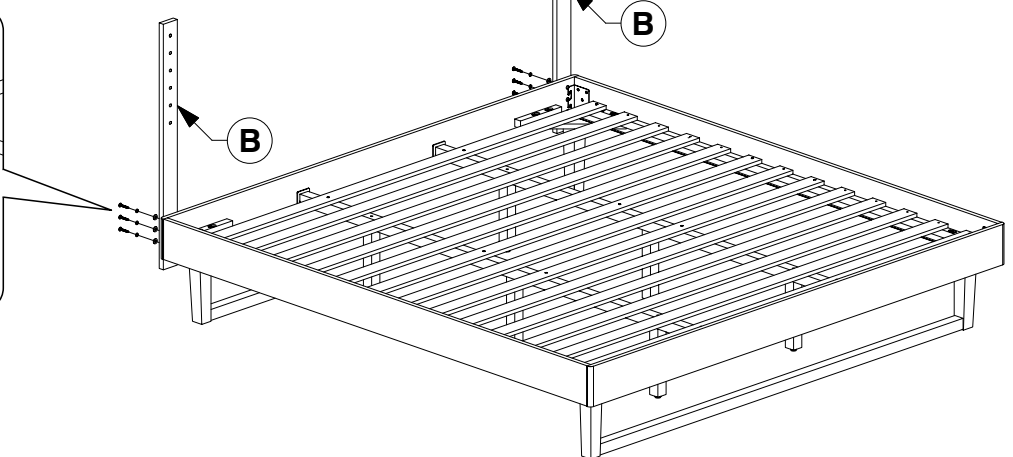
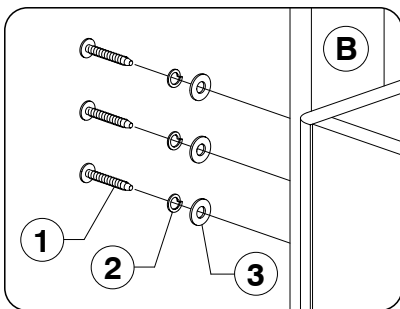
3 Flat Washer x 10



4 Allen Key x 1

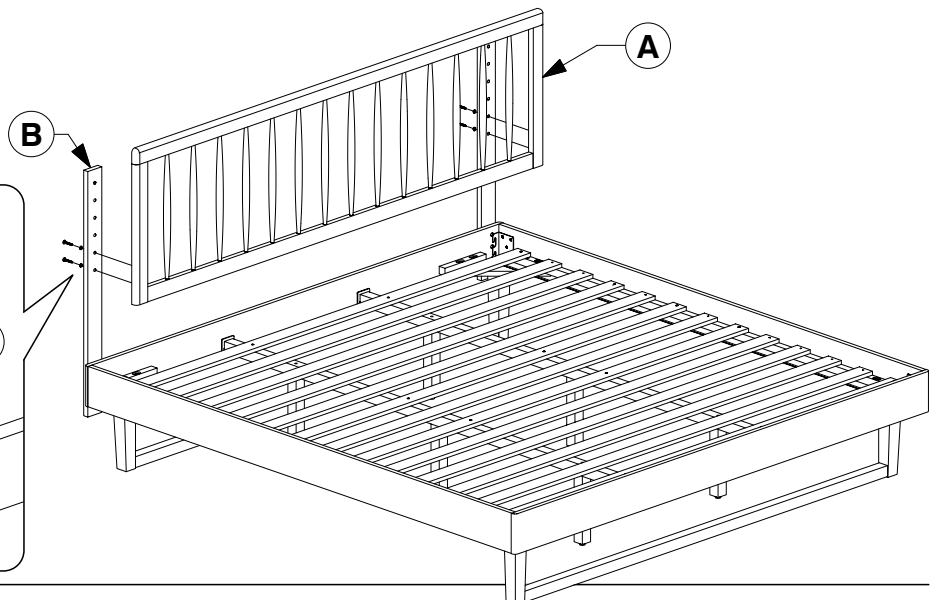
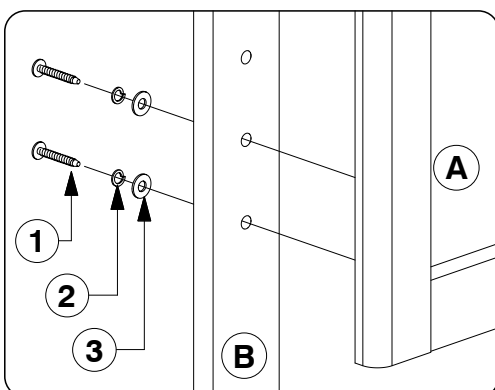
Note: Do not assemble using power tools. This can cause the bolts to be overtightened

3 Assemble the Support Bars (B) to the Headboard Panel.



✓ Footboard, Rails & Slats are packed in separate Boxes with Bolts.

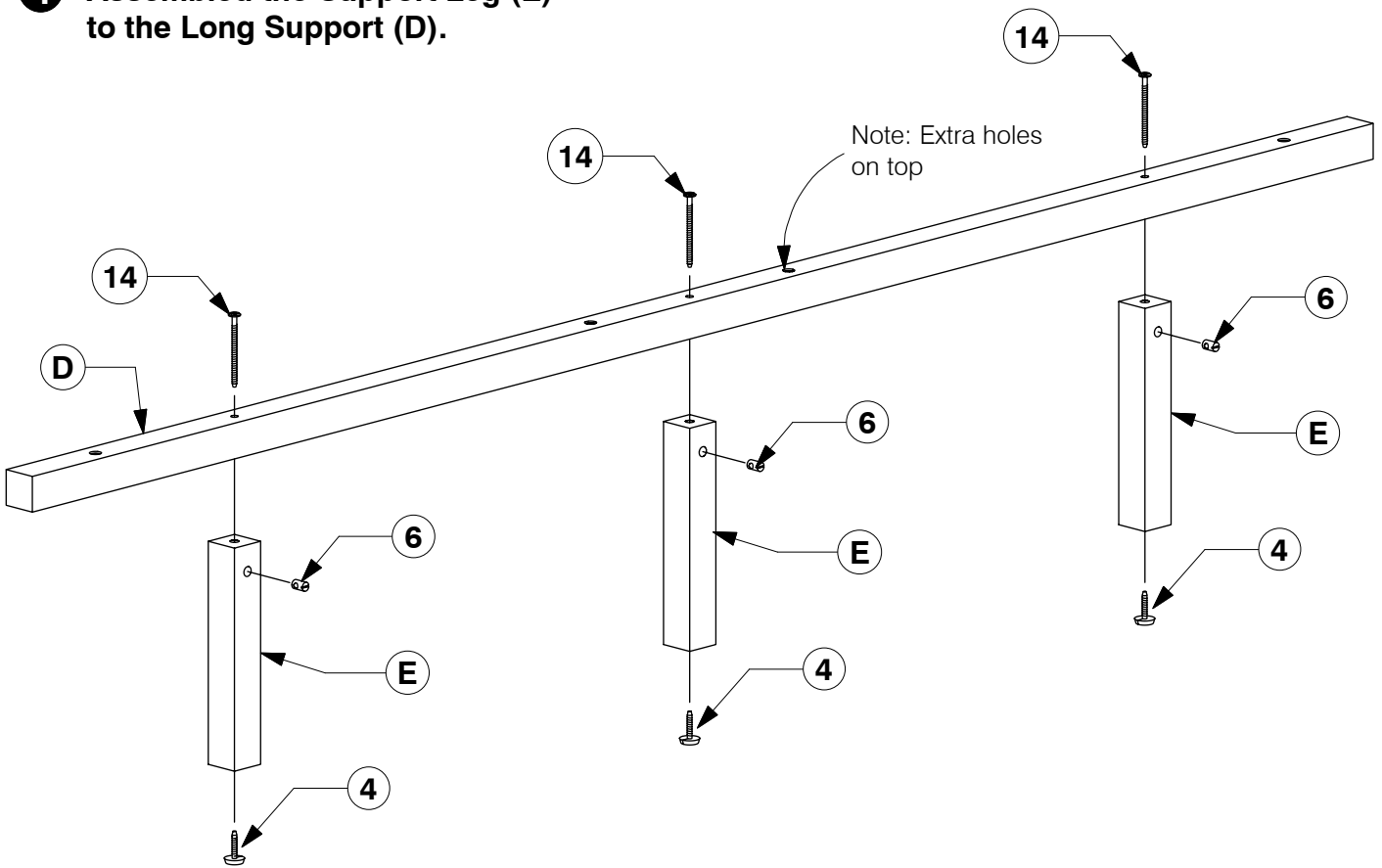
4 Assemble the Headboard Panel (A) to the Support Bars (B).



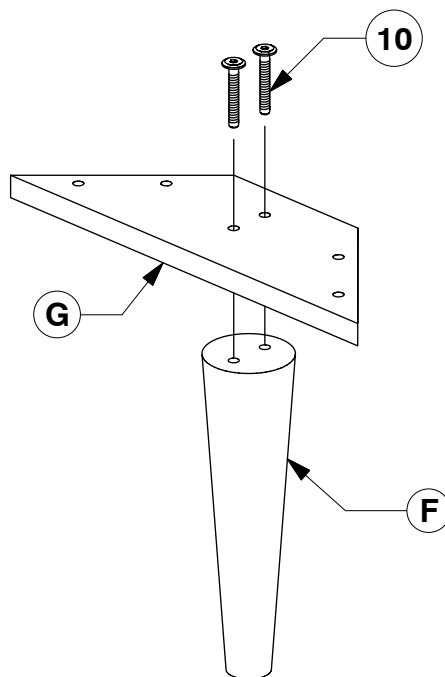
King Bed

Assembly Instructions

4 Assembled the Support Leg (E) to the Long Support (D).



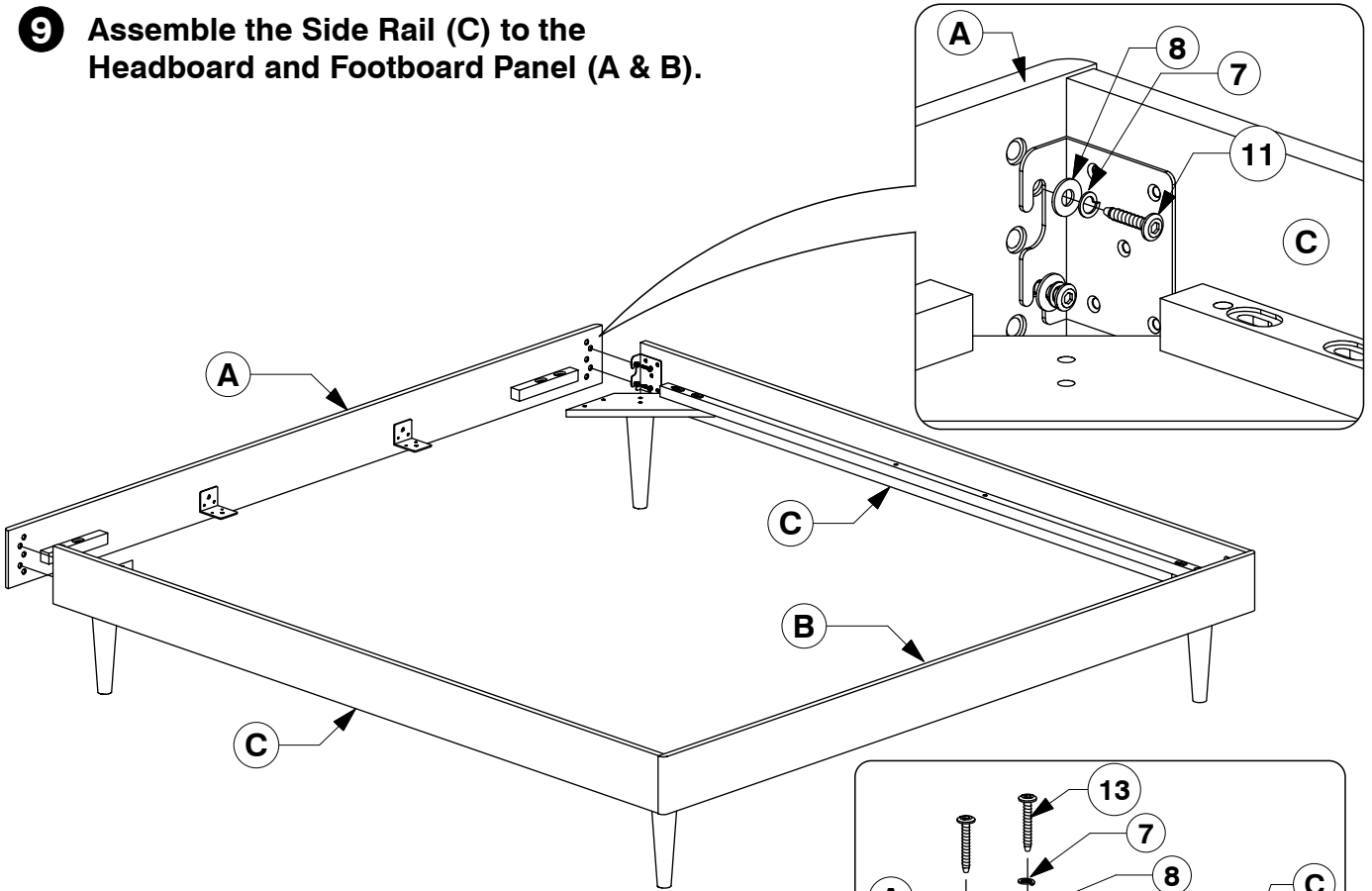
5 Fit the Post (F) to the Support Panel (G).



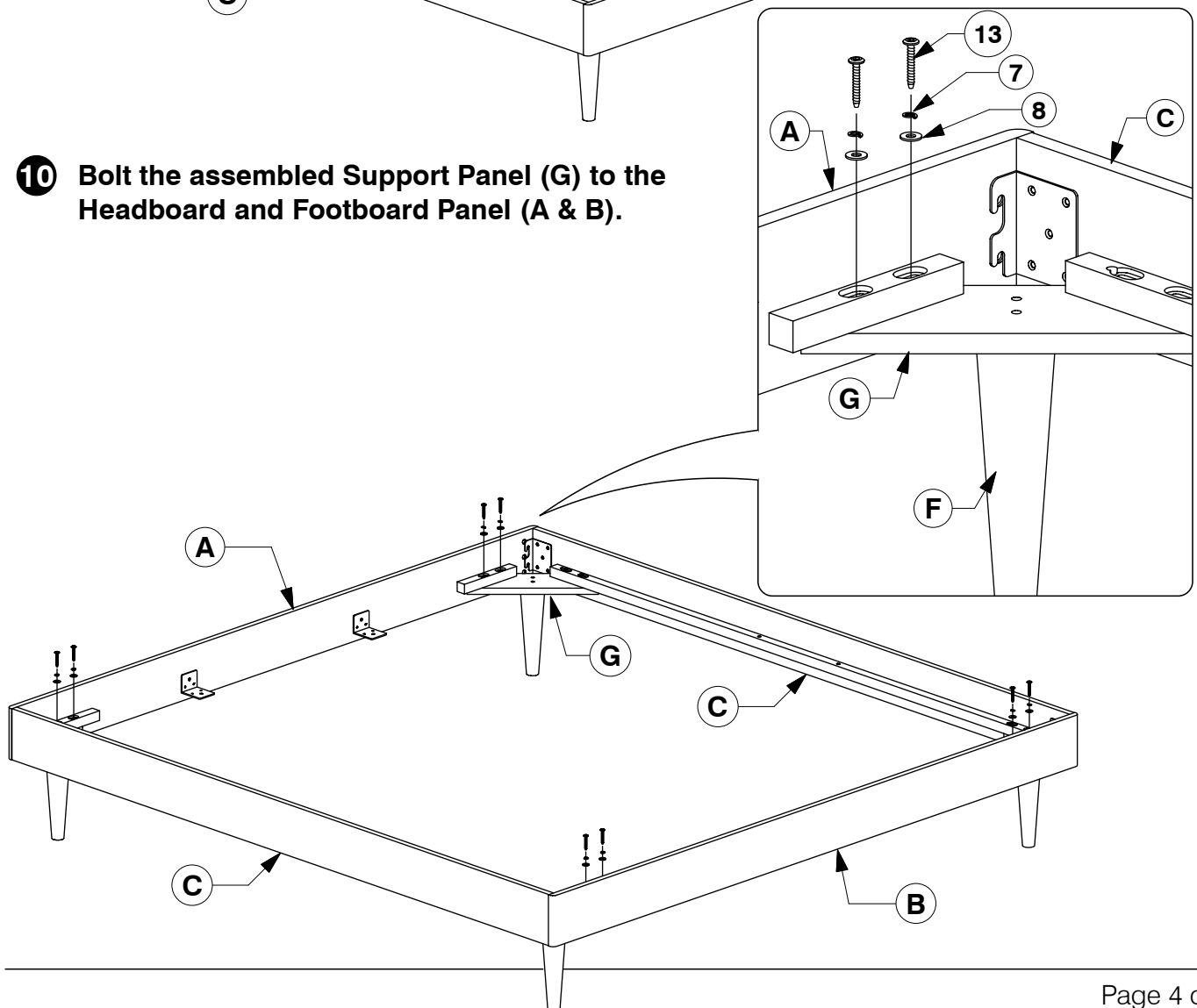
King Bed

Assembly Instructions

- 9** Assemble the Side Rail (C) to the Headboard and Footboard Panel (A & B).



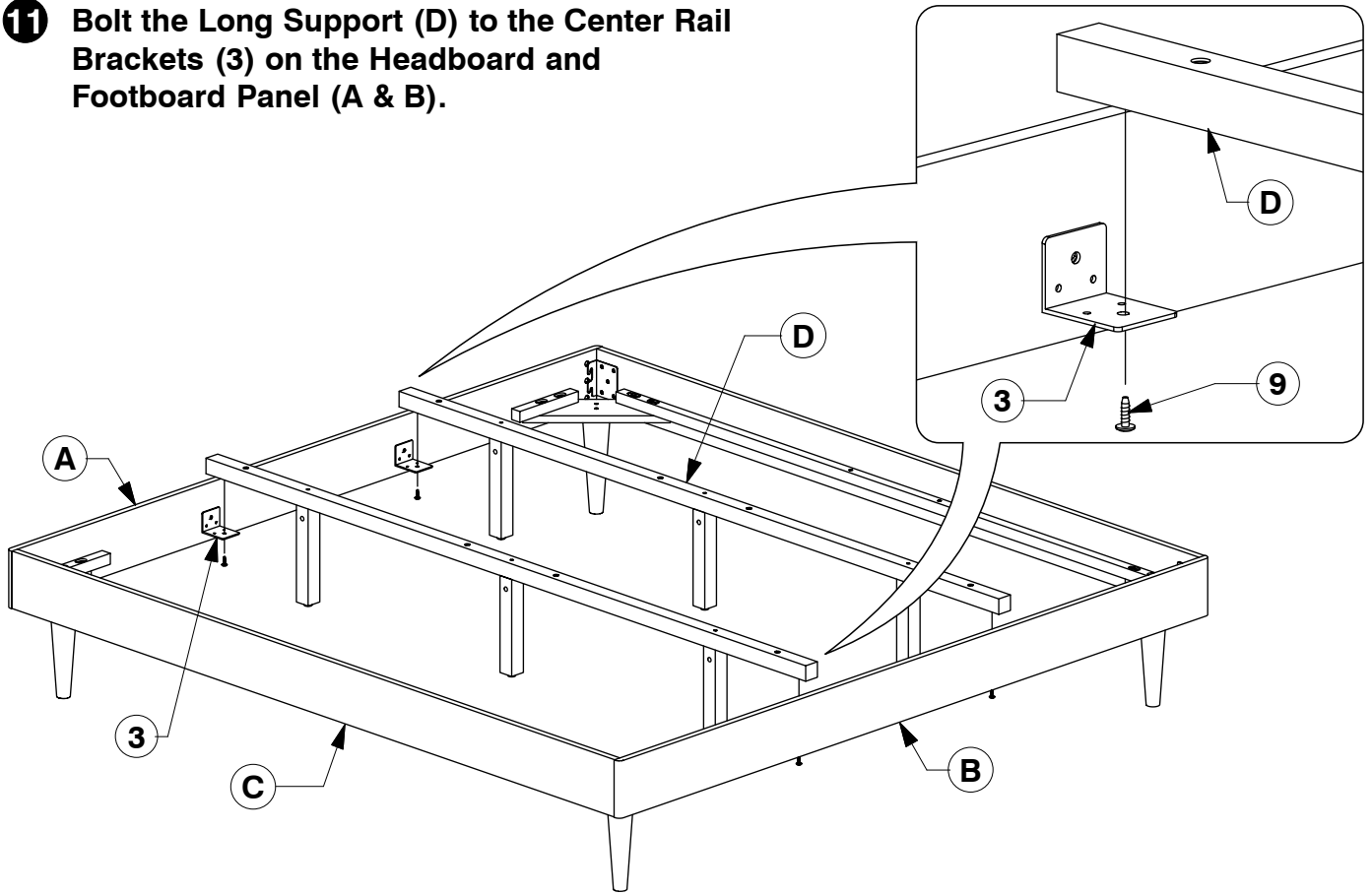
- 10** Bolt the assembled Support Panel (G) to the Headboard and Footboard Panel (A & B).



King Bed

Assembly Instructions

- 11** Bolt the Long Support (D) to the Center Rail Brackets (3) on the Headboard and Footboard Panel (A & B).



- 12** Bolt & screw the Bed Slats (H) to the Side Rail (C).

