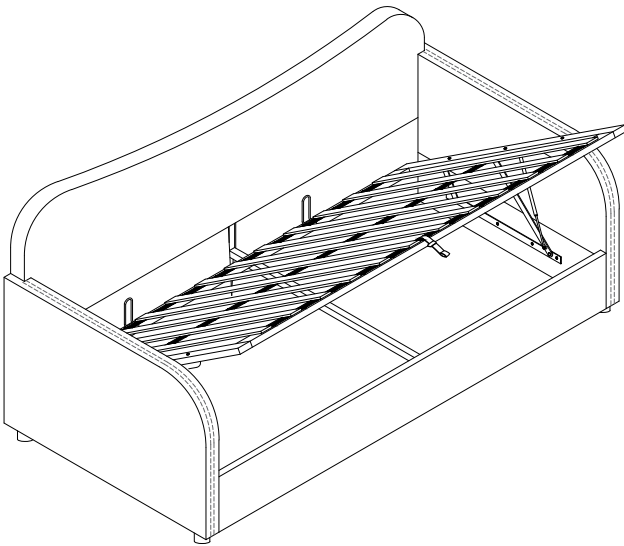


ASSEMBLY INSTRUCTION

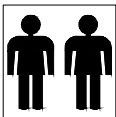


Please **TEAR OFF** this shrink film from side!
DO NOT USE CUTTER!

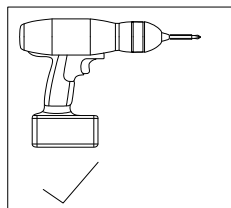
ITEM NUMBER:DB003

IMPORTANT NOTE

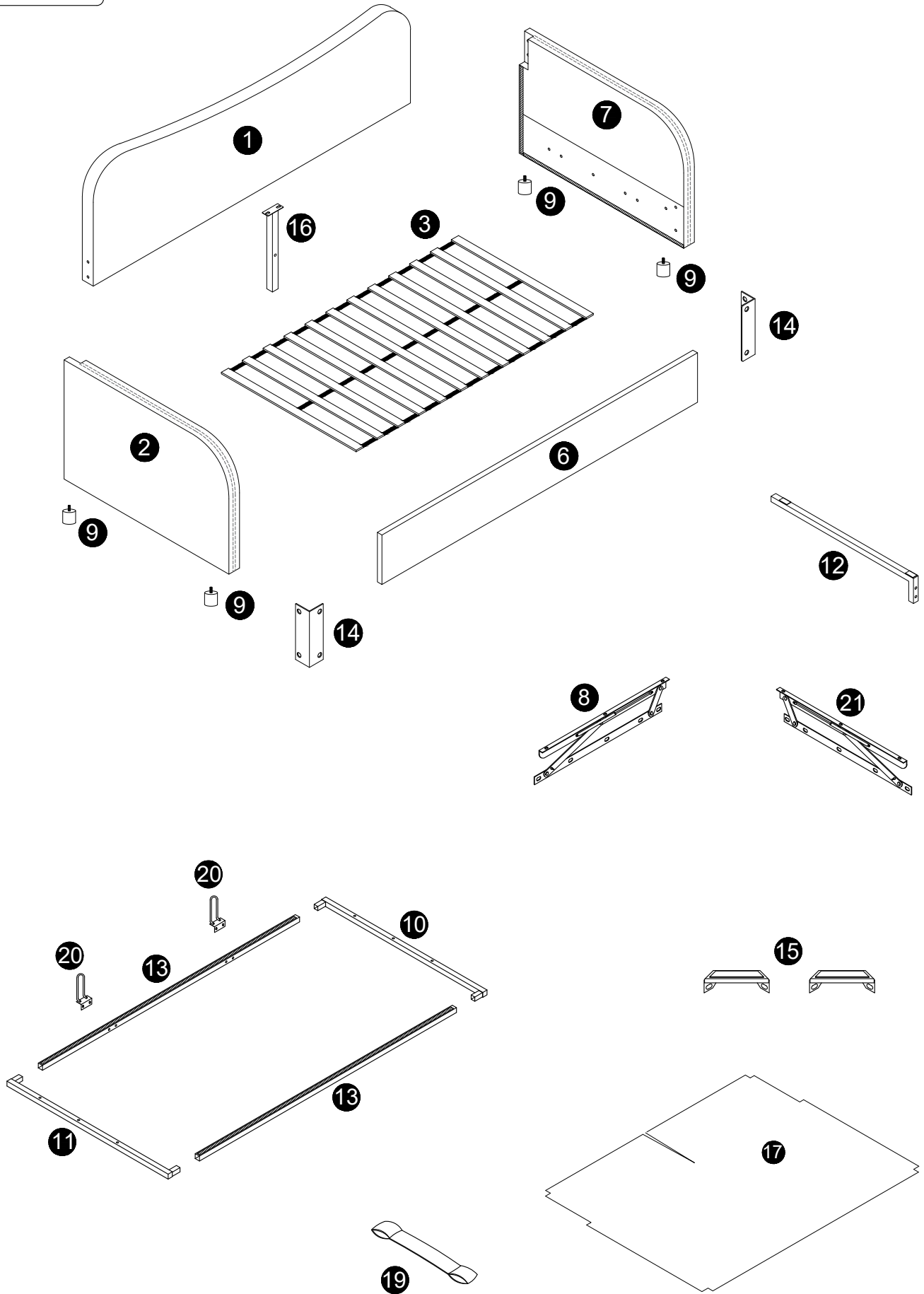
- 1. The product is shipped in two packages. Please check the number of packages received before assembly. If you are missing one package, receive a duplicate package, or have any assembly or after-sales issues, please contact support@velocavabed.com**
2. For the protection of your furniture, place all parts on a clean and smooth surface to prevent any damage.
3. Keep fittings out of children's reach and keep children well away from construction area.
4. When moving your assembled bed. it is best to lift the bed and never to drag it.
5. Do not use this product if parts are missing, damaged or worn.
6. This product should only be used on firm, level ground.
7. Please periodically check all fittings and re-tighten as necessary.
8. Do not use the bed unless all bolts and screws are firmly secured.
9. For further assistance, please provide a screenshot of your order and contact us via email at support@velocavabed.com



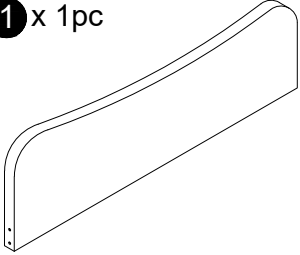
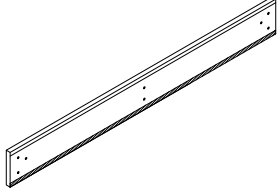

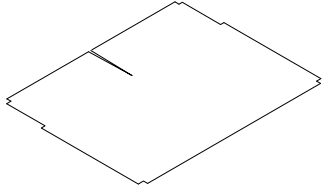
Minimum two
person assembly



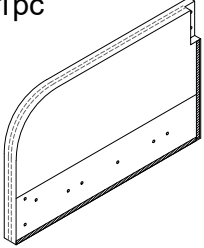
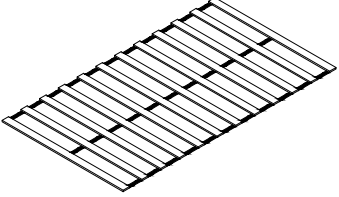
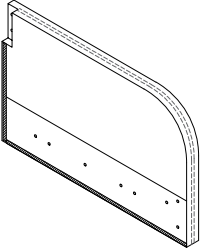
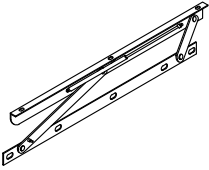
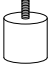
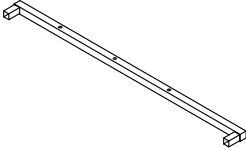
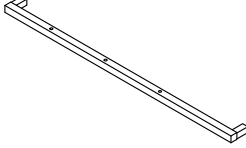
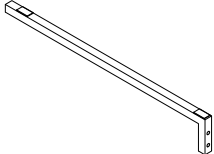


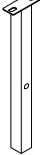
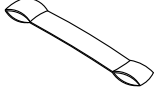
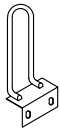
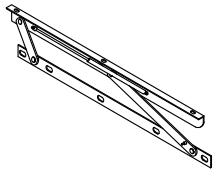
PART LIST




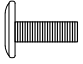


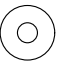

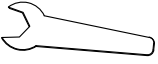
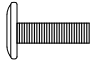
Components of Carton A

1 x 1pc 	6 x 1pc 	13 x 2pcs 	17 x 1pc 
---	---	--	--

Components of Carton B

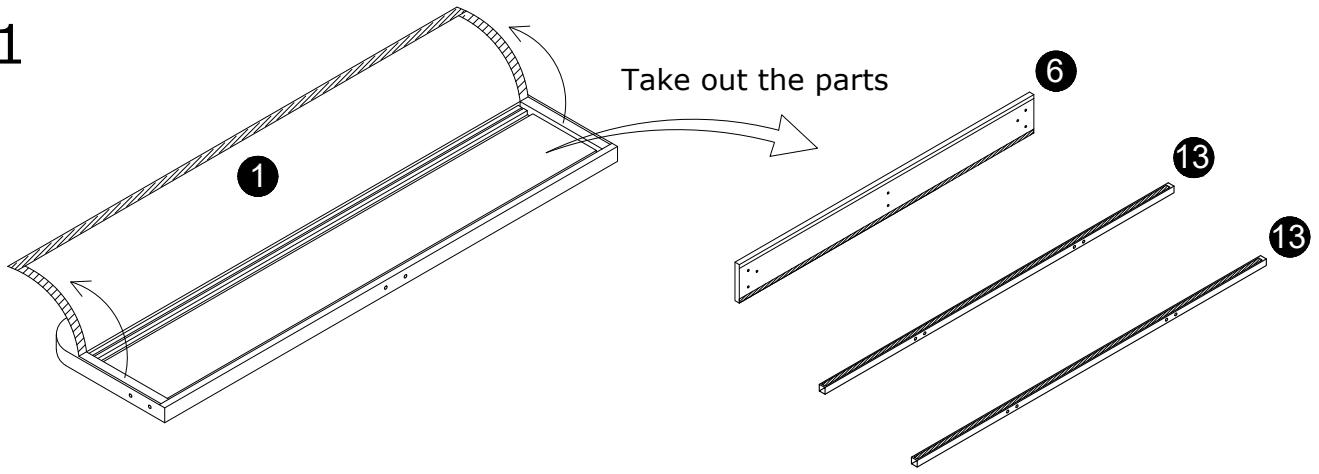
2 x 1pc 	3 x 1pc 	7 x 1pc 	8 x 1pc 
9 x 4pcs 	10 x 1pc 	11 x 1pc 	12 x 1pc (1040x125x25mm) 
14 x 2pcs 	15 x 2pcs 	16 x 1pc (448x25x25mm) 	19 x 1pc 
20 x 2pcs 	21 x 1pc 		

HARDWARE LIST

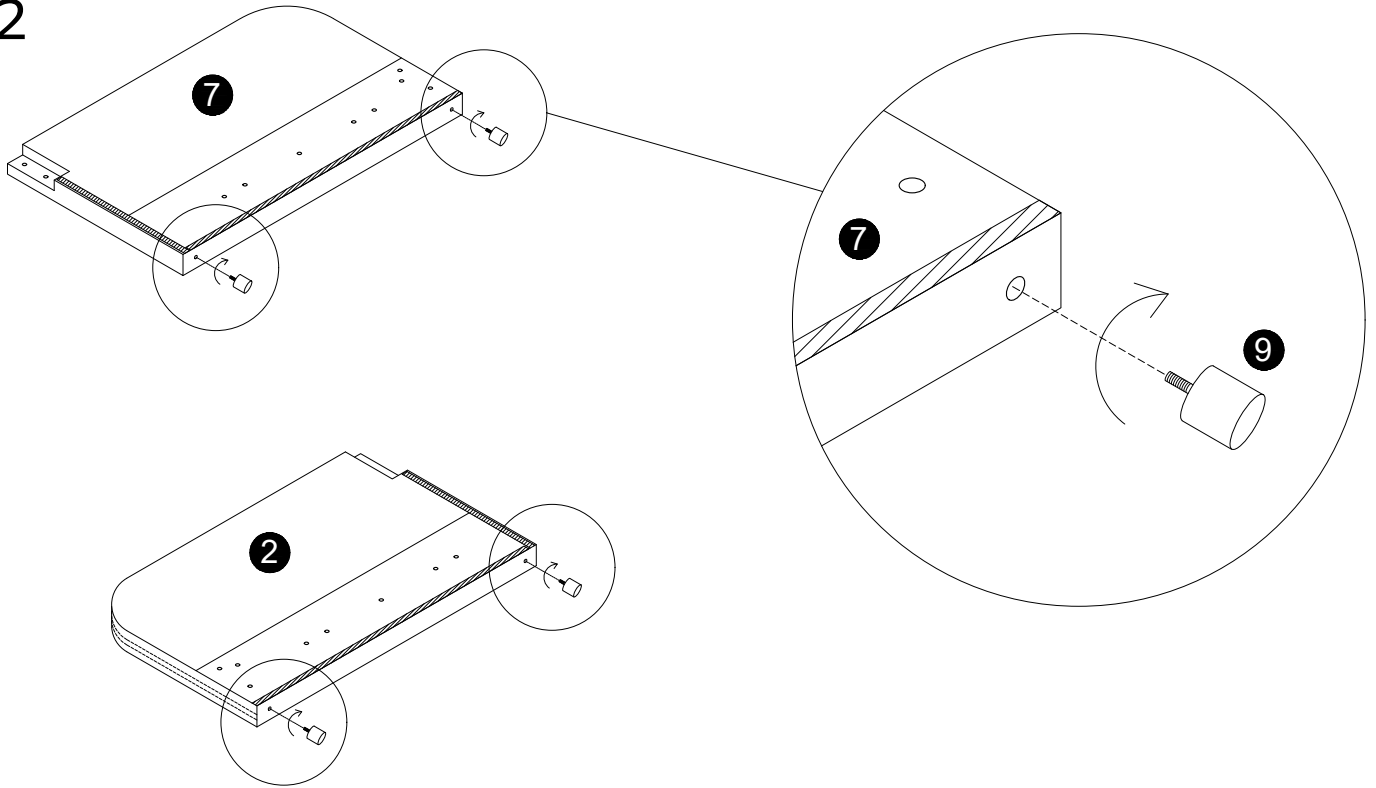
 H1 M5 x 1pc	 H2 M8x25mm x 26pcs	 H3 M8x45mm x 13pcs	 H5 M8 x 12pcs
 H6 M8x22mm x 12pcs	 H7 M8 x 6pcs	 H8 M14 x 1pc	 H9 M8x30mm x 10pcs

Please ensure to thoroughly inspect the small inner cardboard box containing the hardware, which are tied with a red string, before disposing of the box.

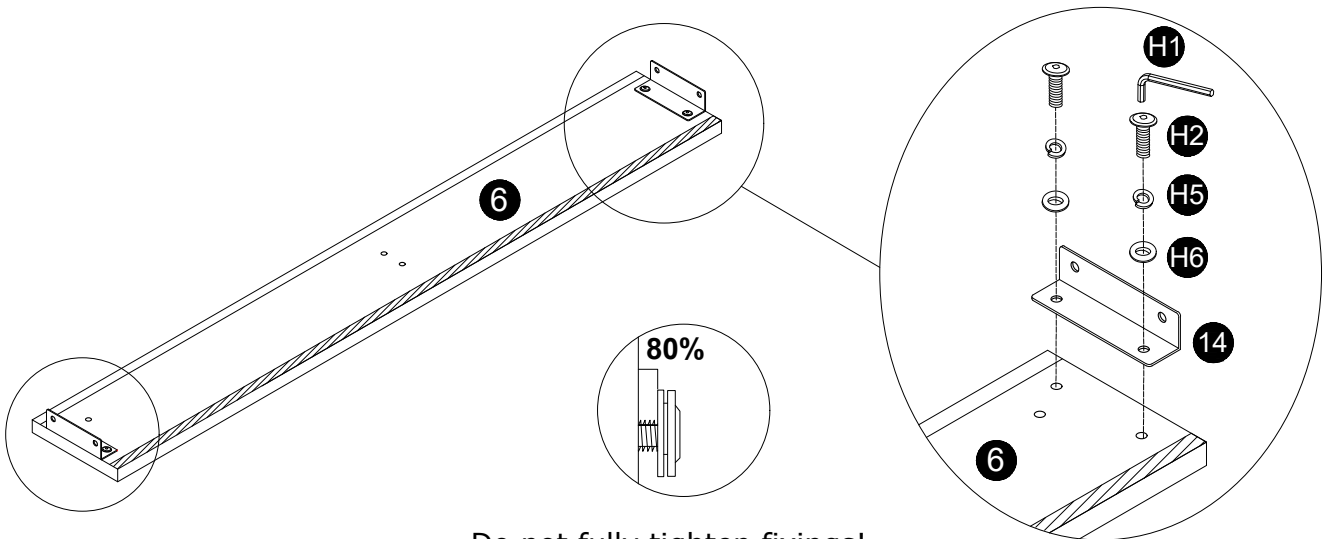
1



2



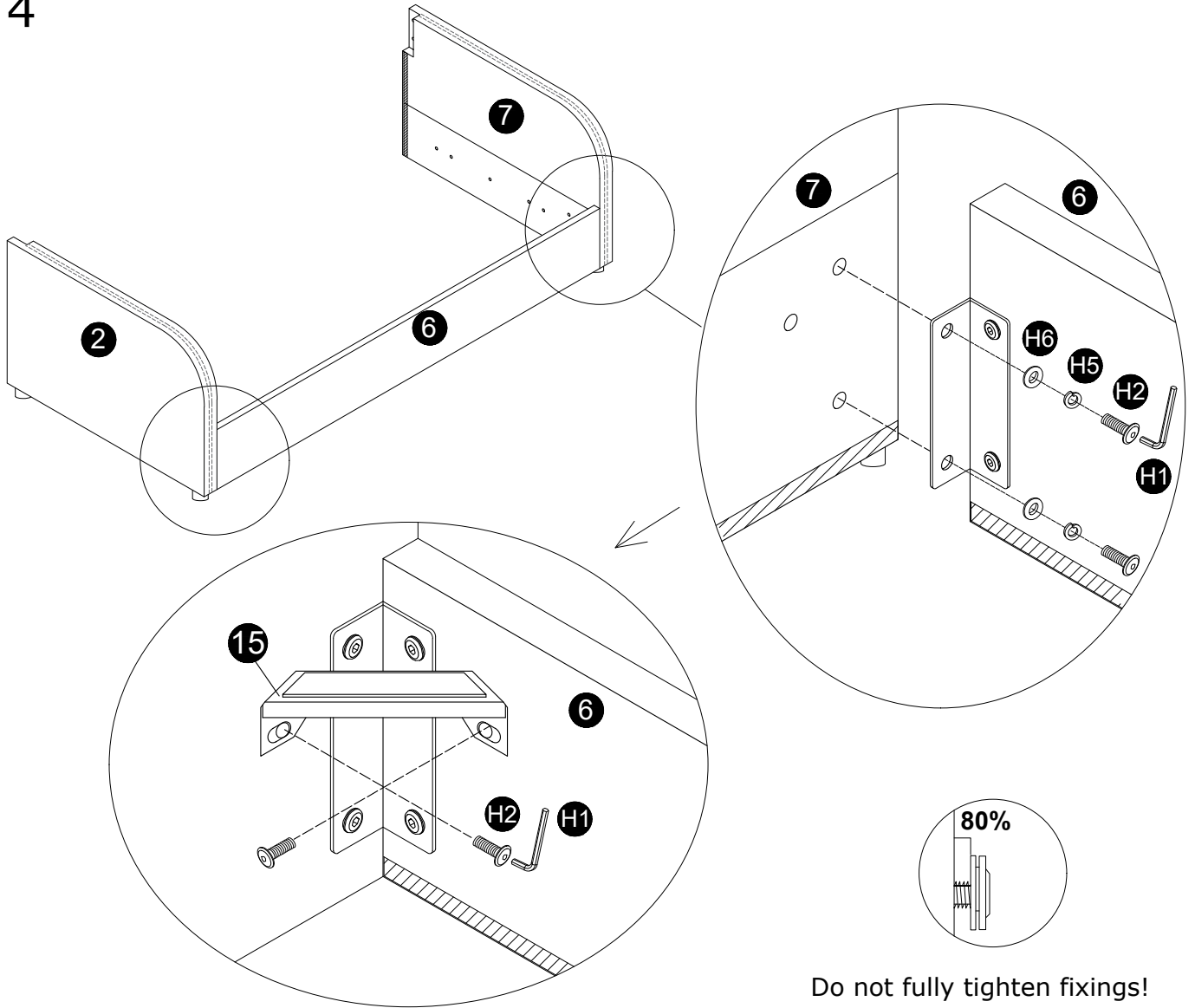
3



Do not fully tighten fixings!

4

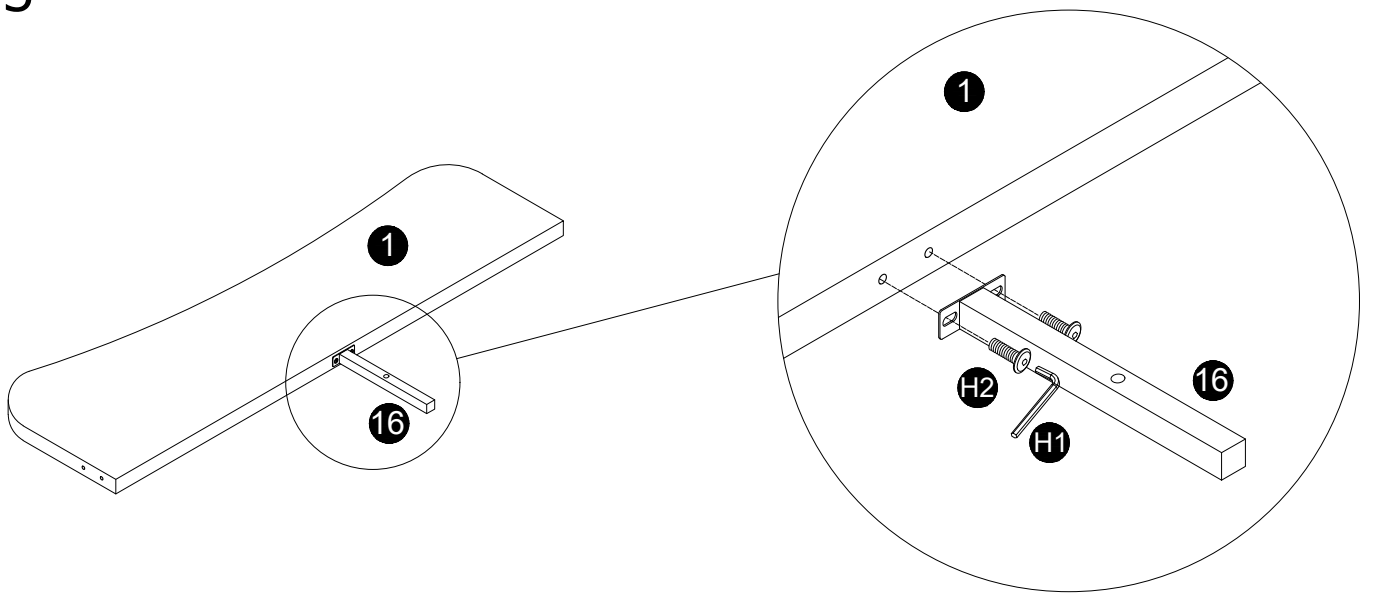
4



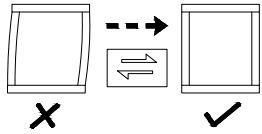
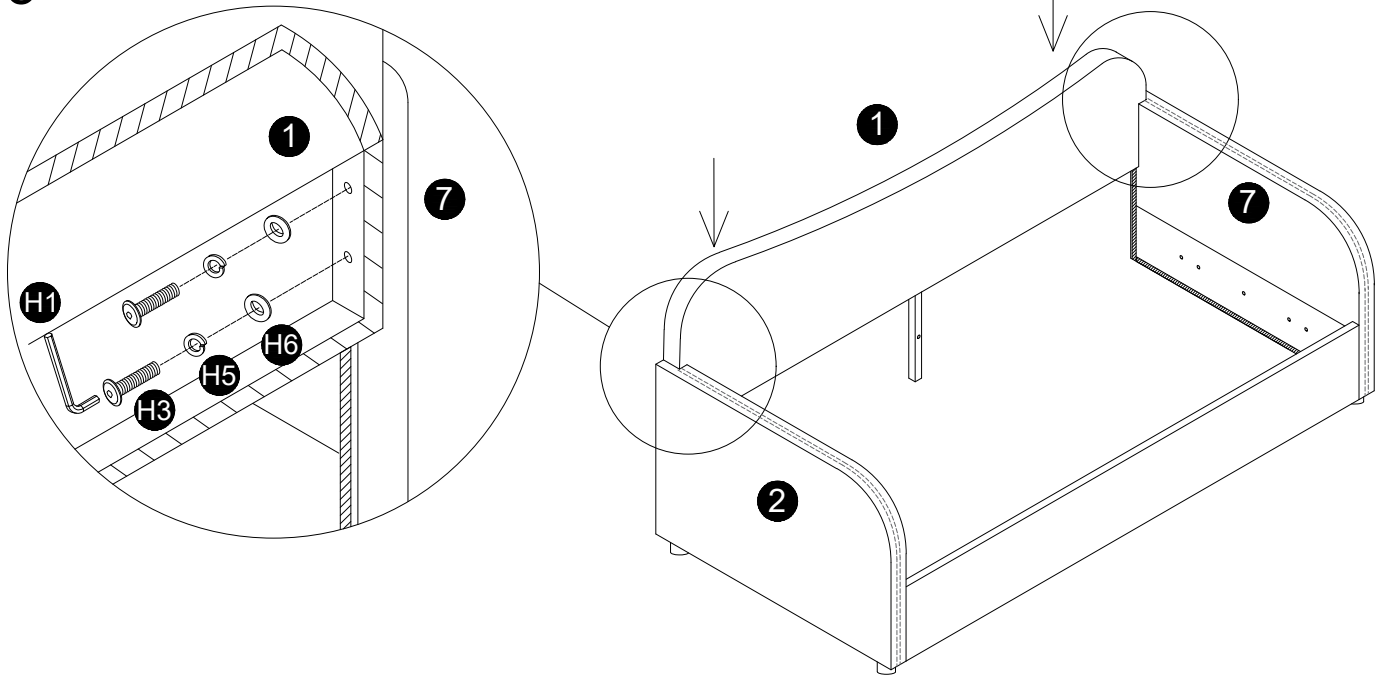
80%

Do not fully tighten fixings!

5

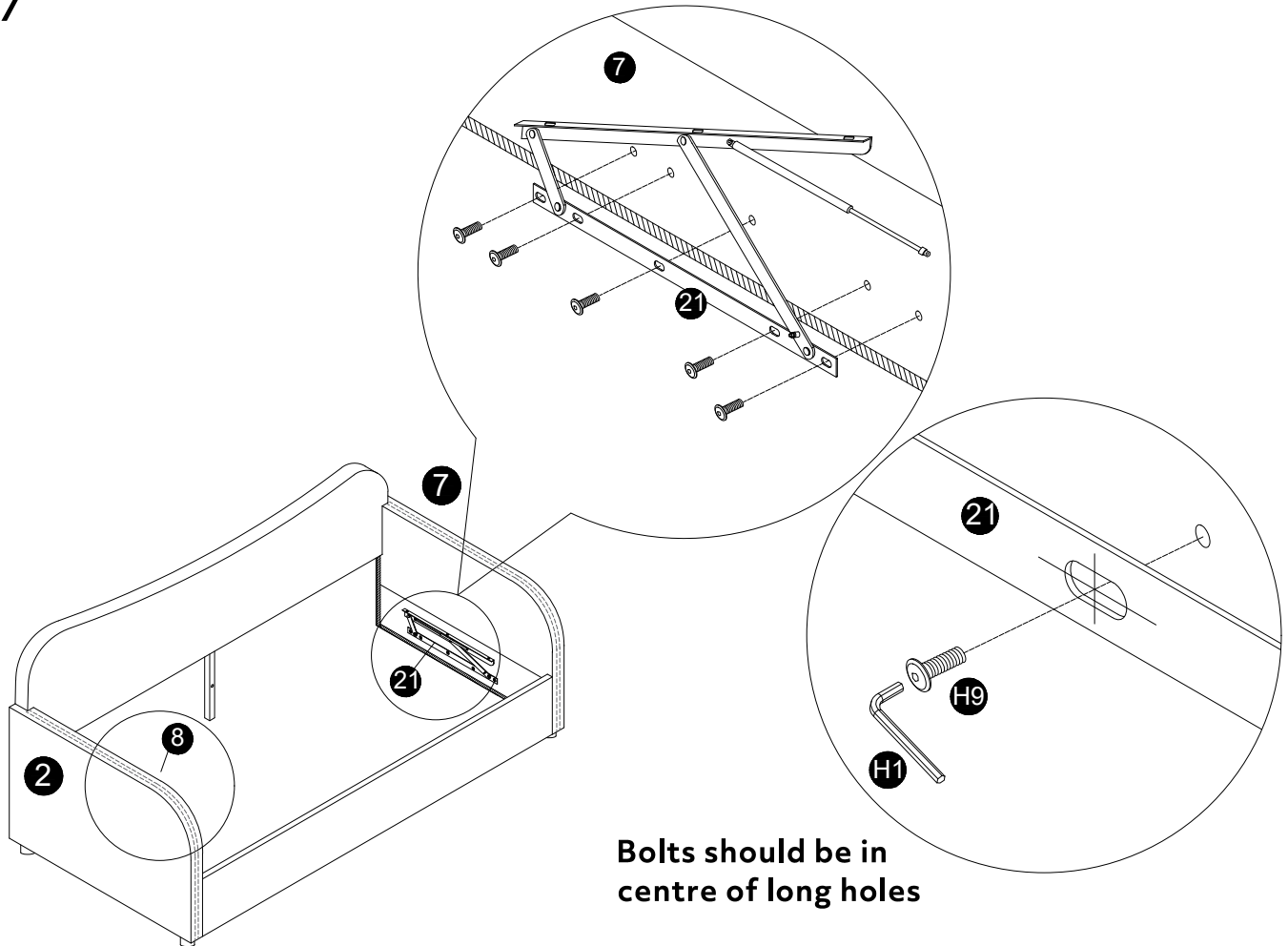


6



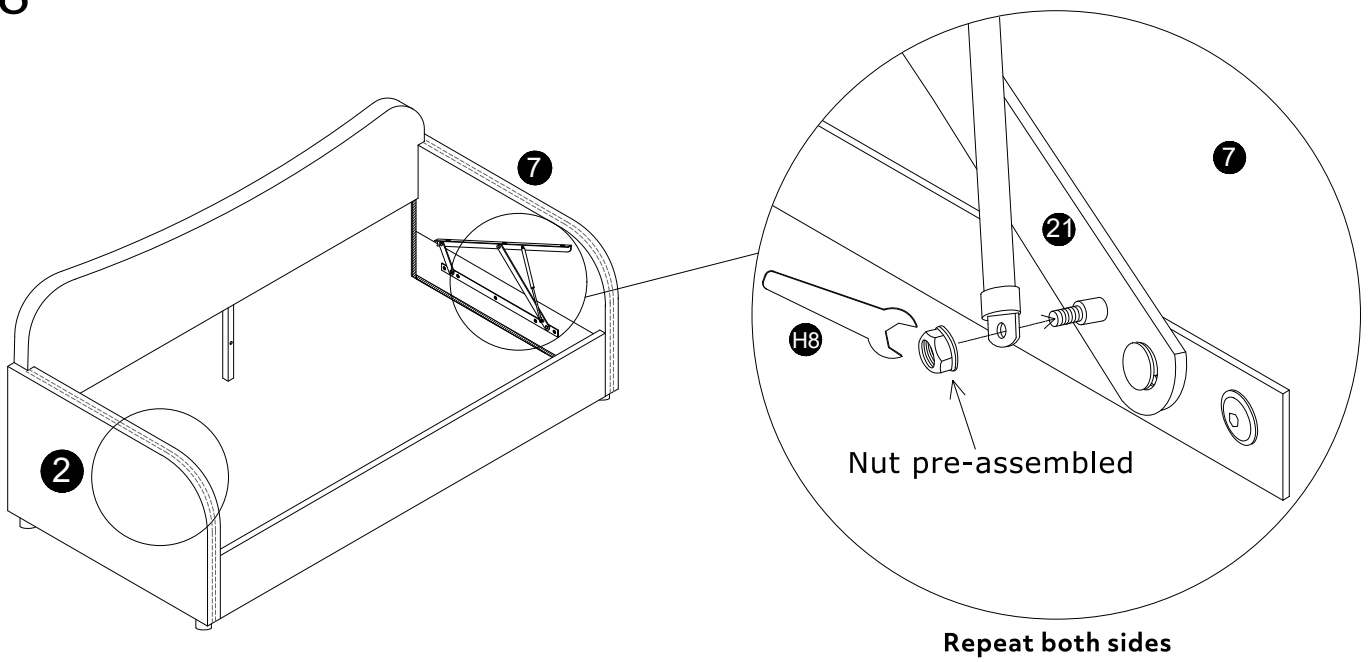
Make certain the bed is squared up as shown in the diagram then tighten all bed assembly bolts 100%.

7

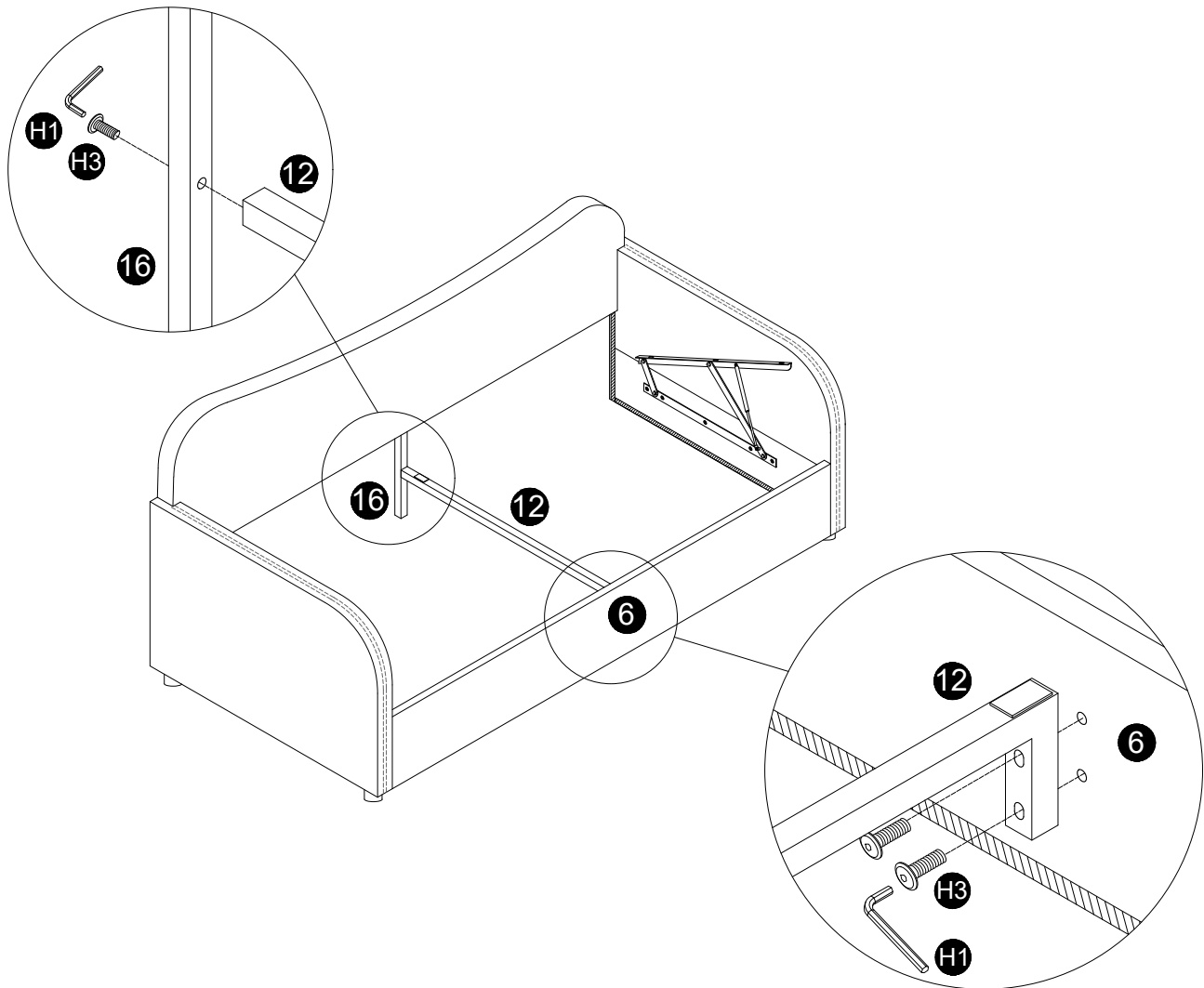


Bolts should be in centre of long holes

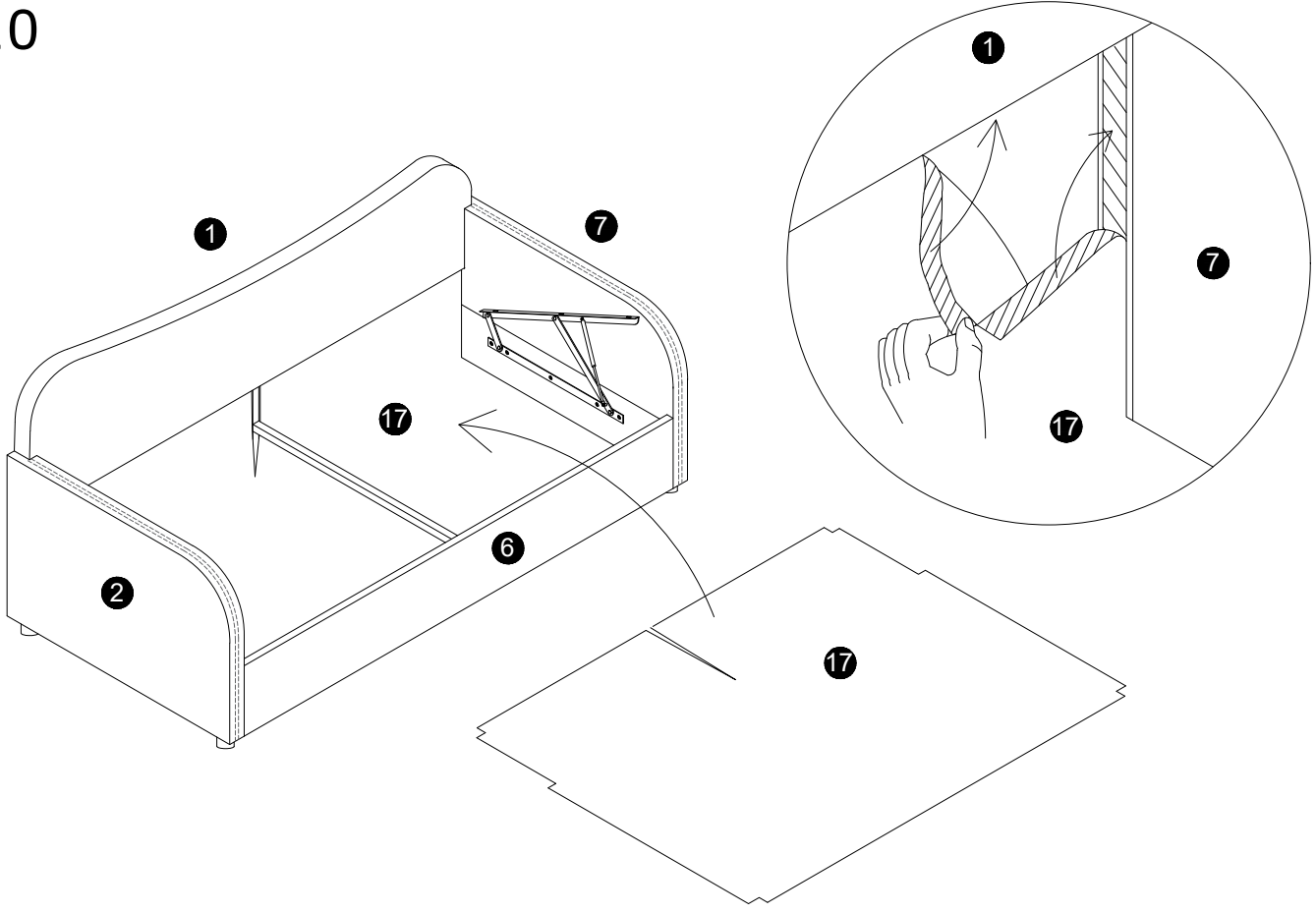
8



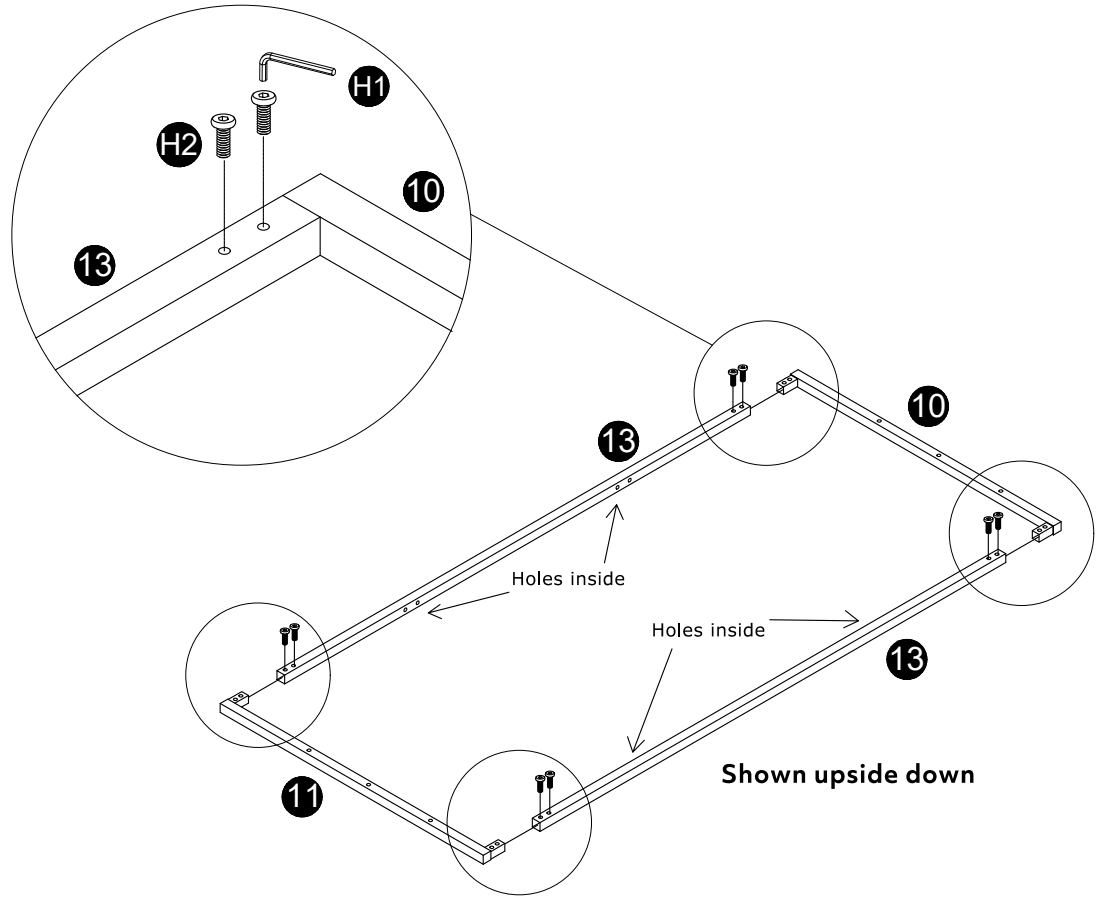
9



10

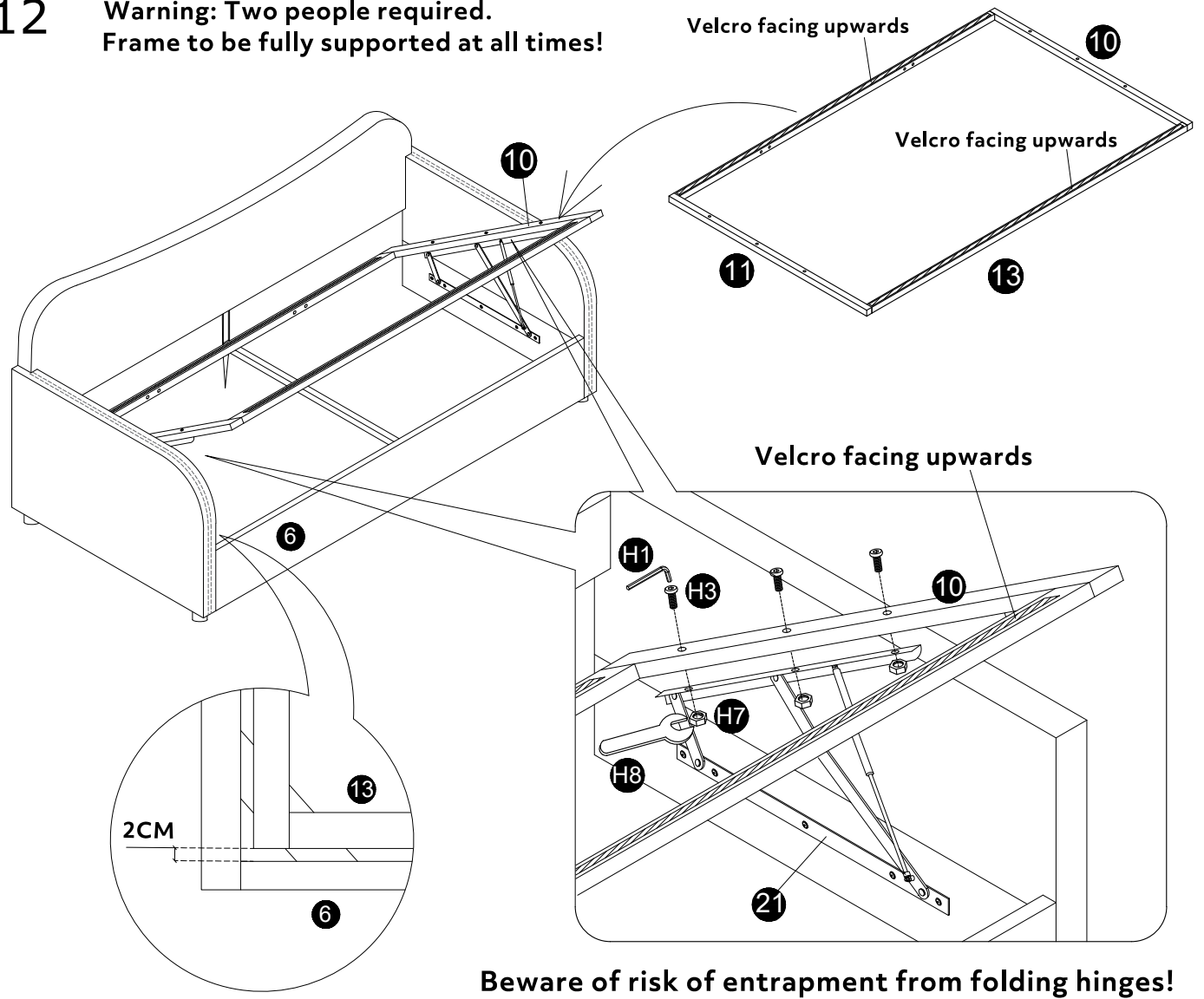


11



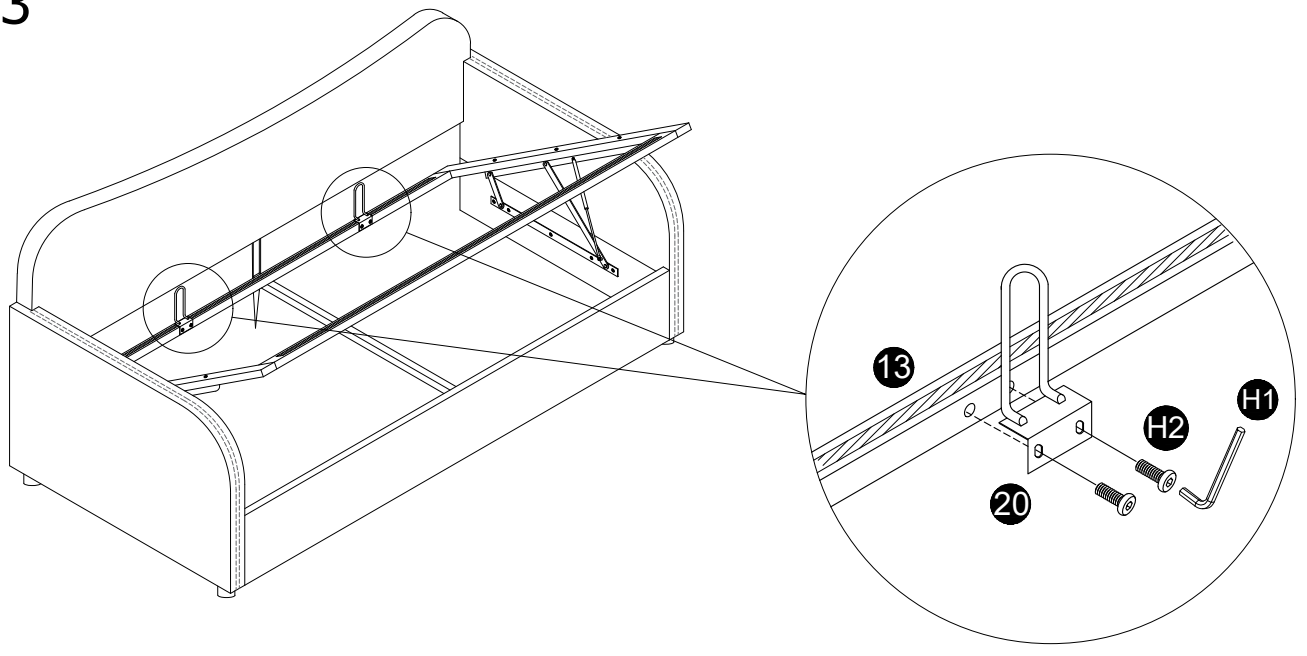
12

Warning: Two people required.
Frame to be fully supported at all times!



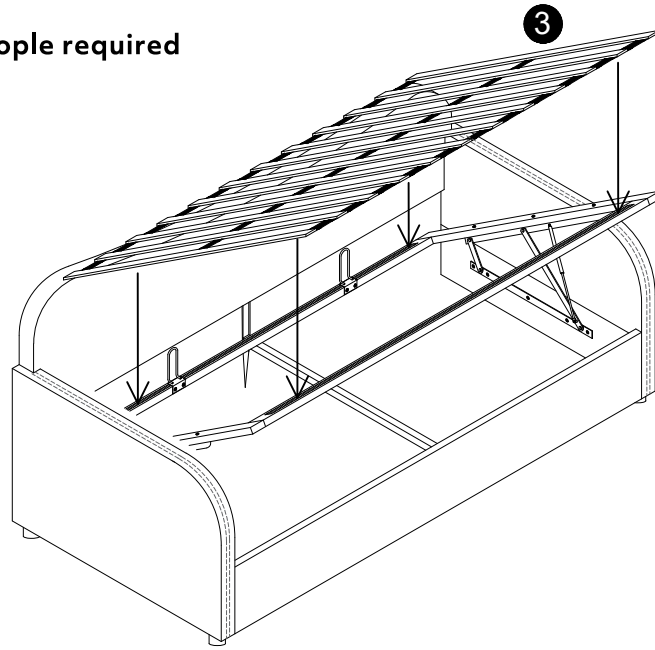
Beware of risk of entrapment from folding hinges!

13

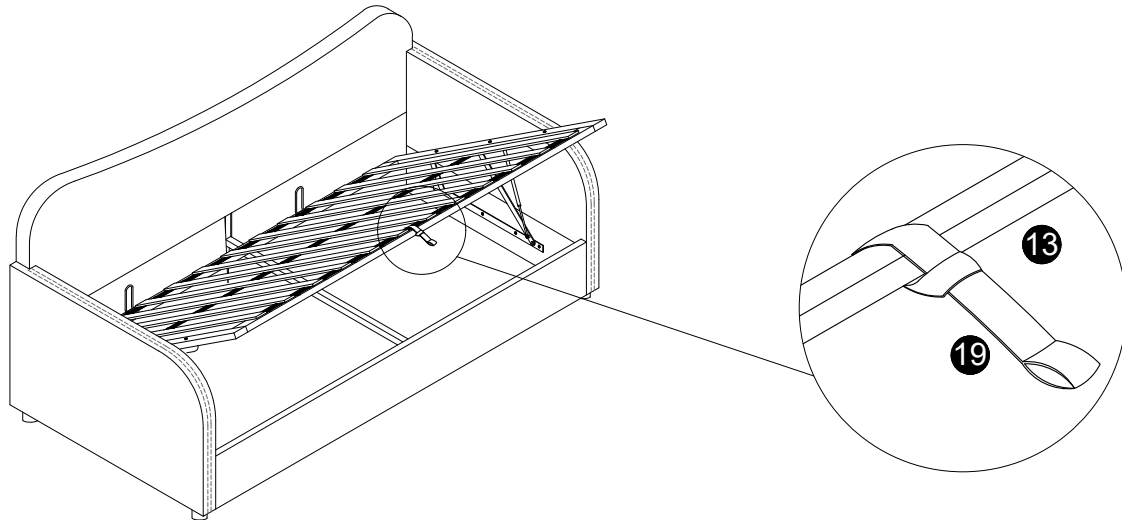


14

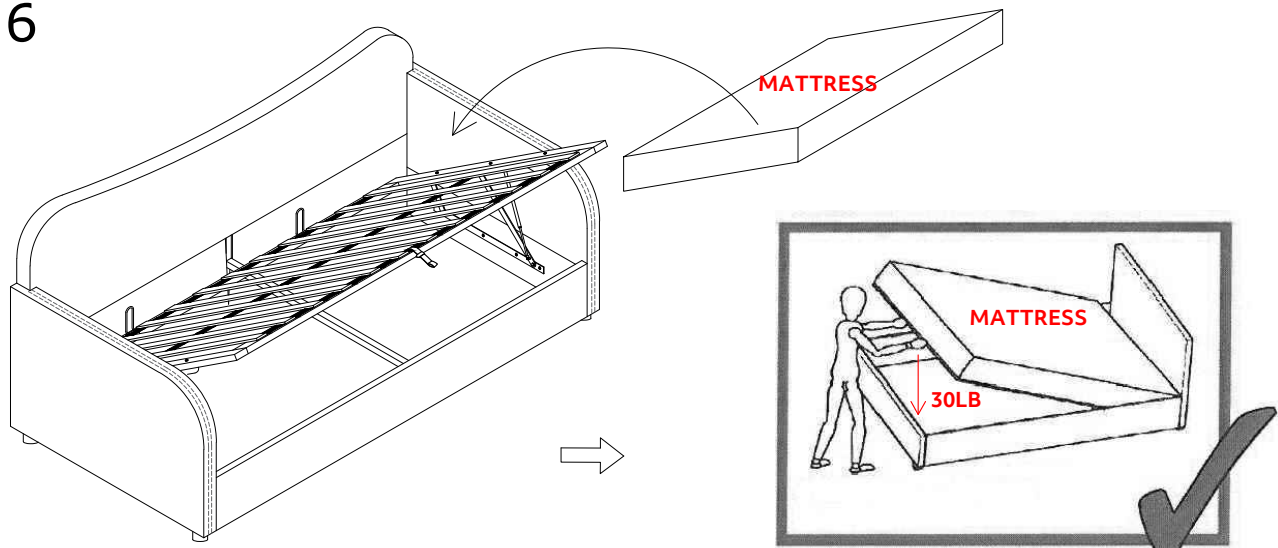
Two people required



15



16



 Place the mattress on frame & Carefully lower the frame down. Keep objects/body part & children away from moving parts.