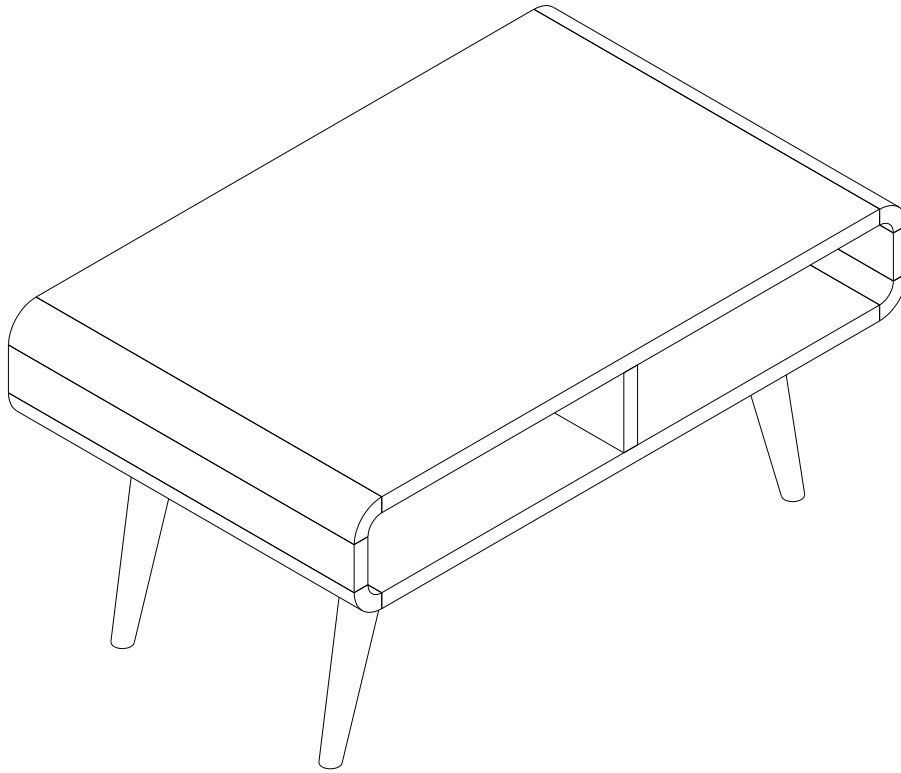
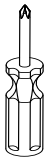


ASSEMBLY INSTRUCTIONS

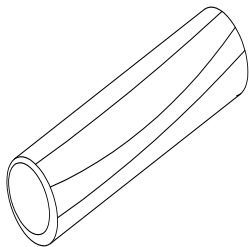
COFFEE TABLE



Phillips
Screwdriver
(Not provided)

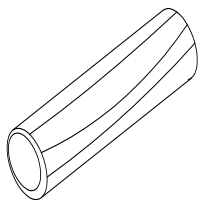


A



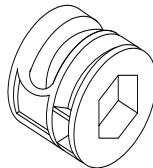
DOWEL
Ø10*30
4 PCS

B



DOWEL
Ø7.5*30
8 PCS

C



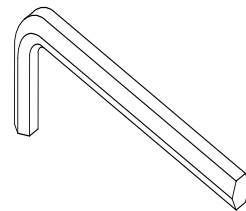
HEAD CAMLOCK
Ø15*12
12 PCS

D

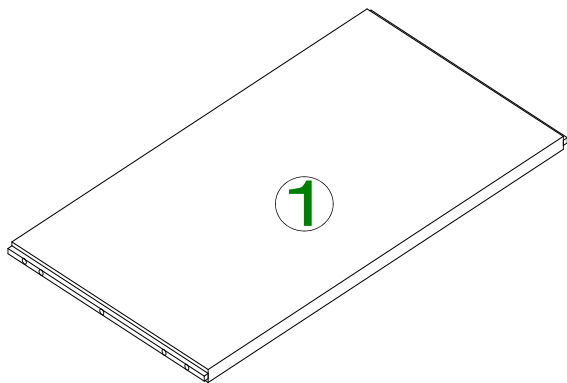


PIPE CAMLOCK
Ø6*35
12 PCS

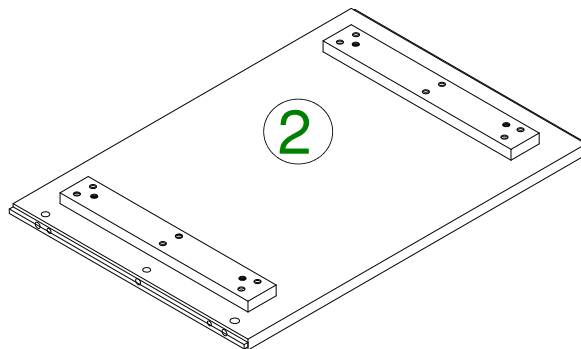
E



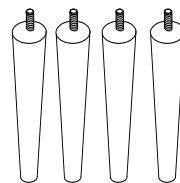
ALLEN KEY
M4*110
1 PC



TOP

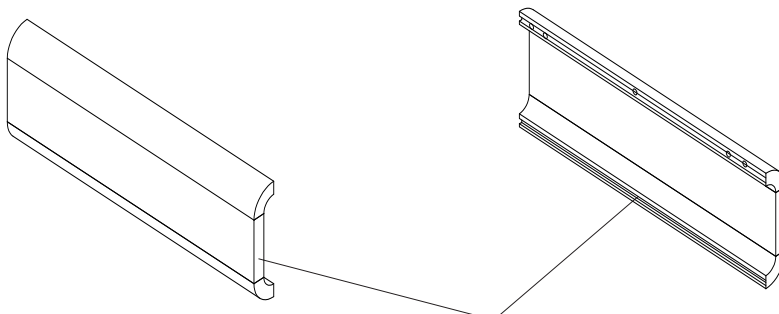


BOTTOM

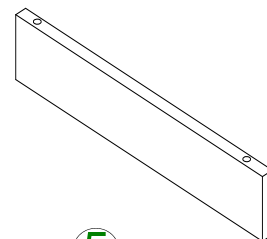


3

LEGS



4
SIDES



5

CENTER

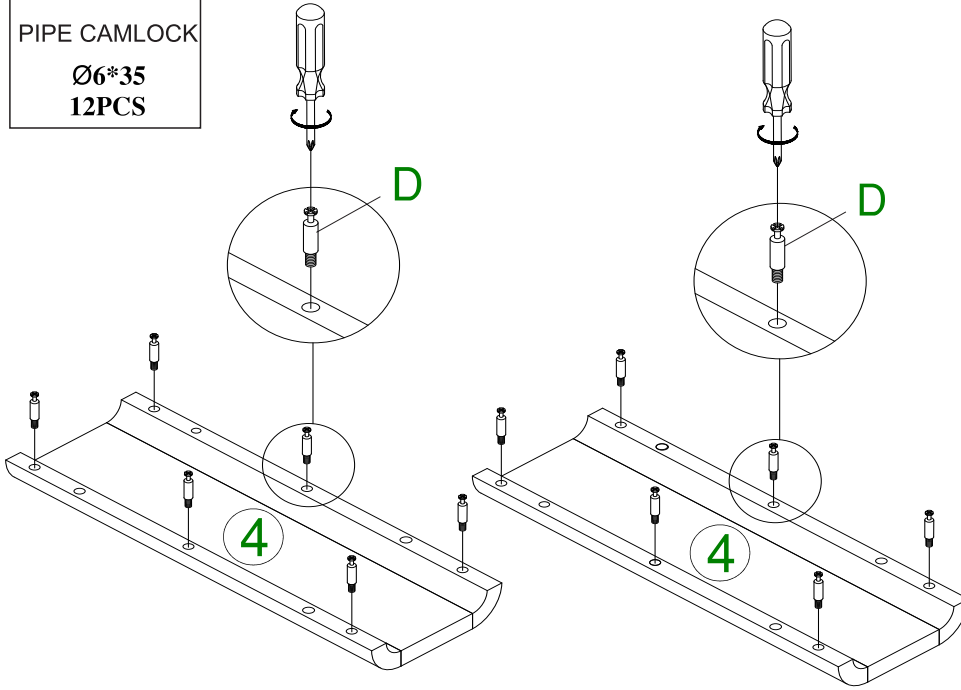
01

D



PIPE CAMLOCK
Ø6*35
12 PCS

TIGHTEN PIPE CAMLOCK COMPLETELY.

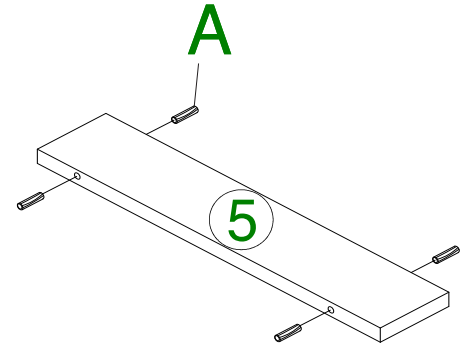


02

A

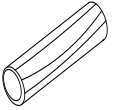


DOWEL
Ø10*30
4 PCS

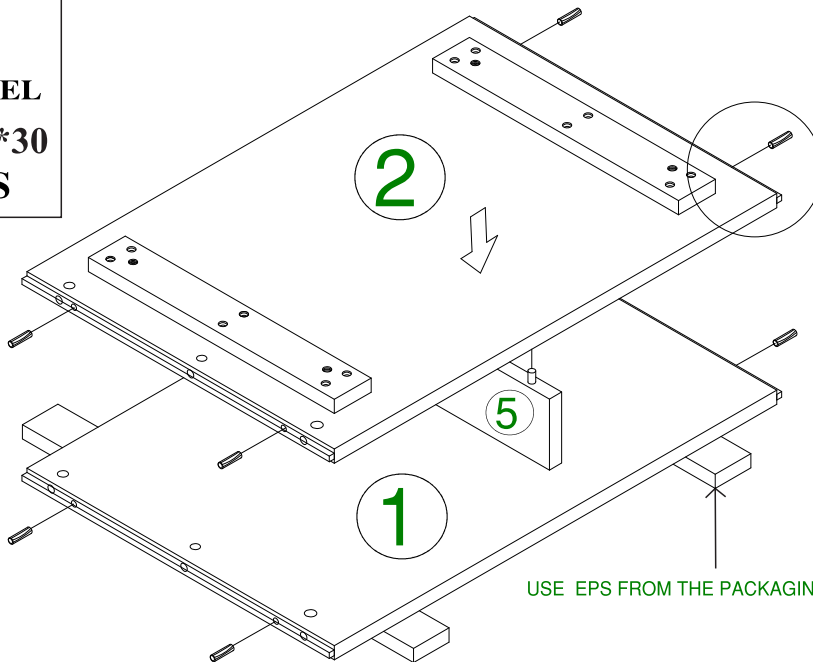


03

B


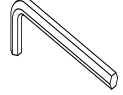


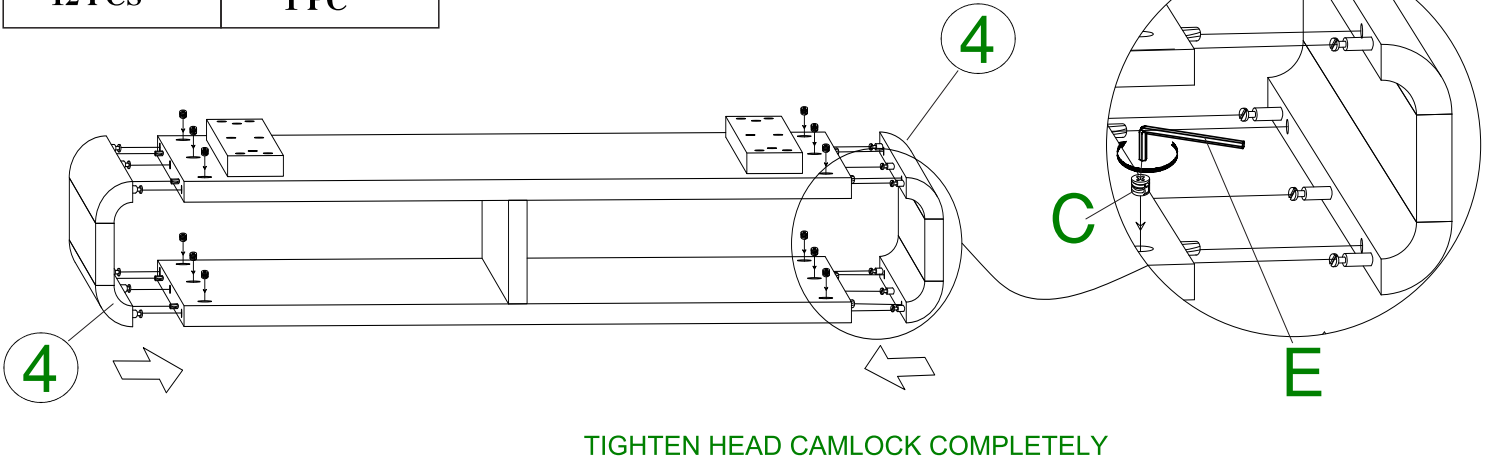
DOWEL
Ø7.5*30
8 PCS



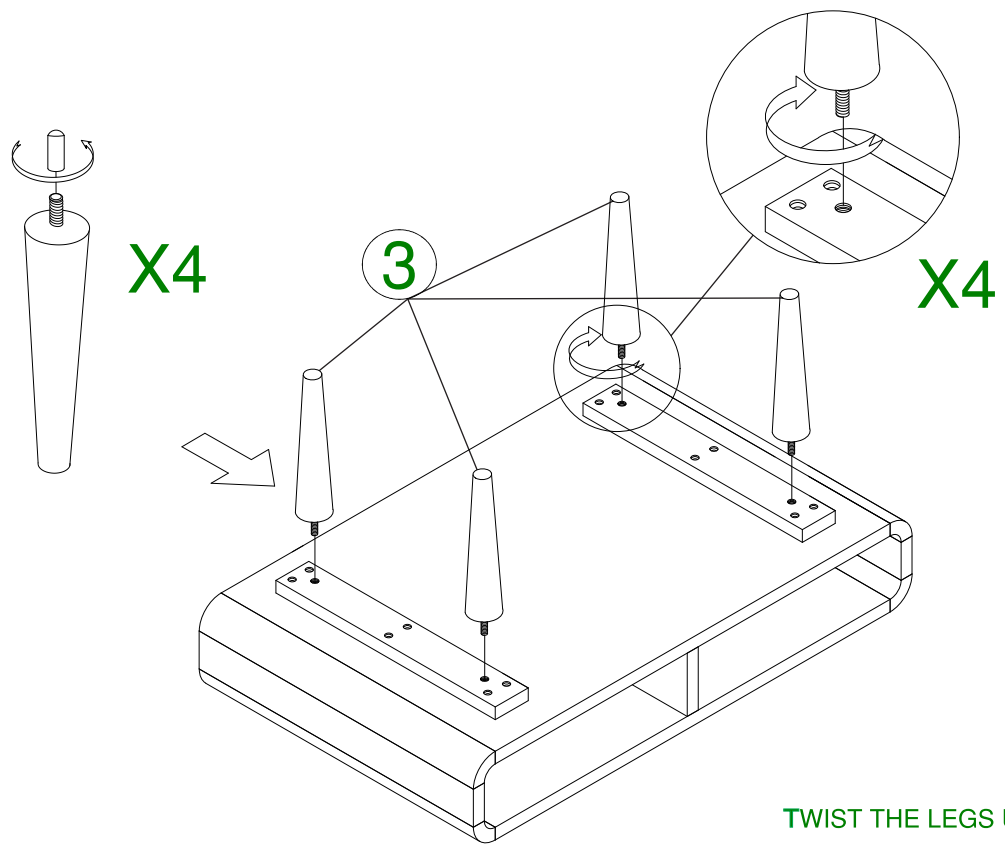
USE EPS FROM THE PACKAGING MATERIAL.

04

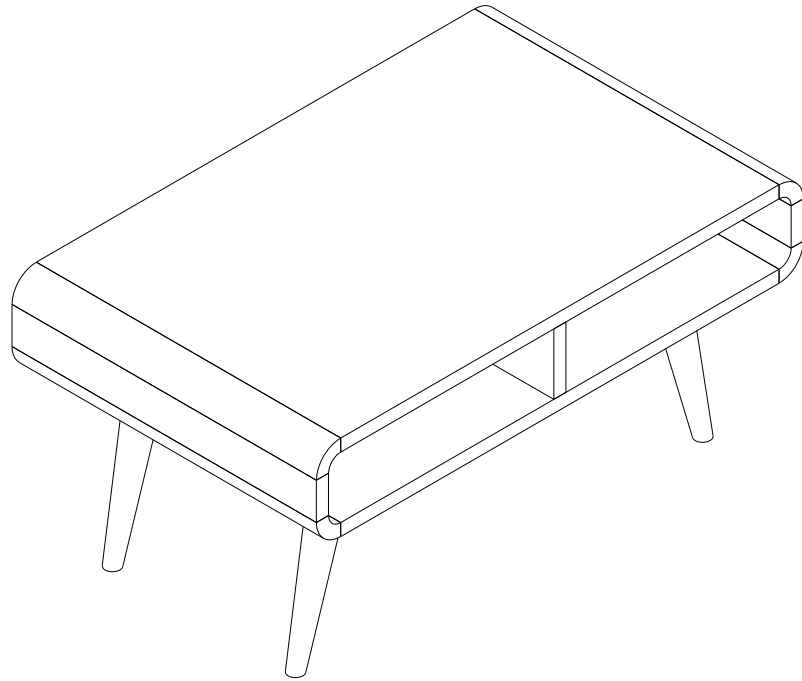
C	E
	
HEAD CAMLOCK Ø15*12 12 PCS	ALLEN KEY M4*110 1 PC



05



06



BE SURE TO CHECK ALL CAMLOCK ARE SECURELY
TIGHTENED PRIOR USING THIS TABLE.