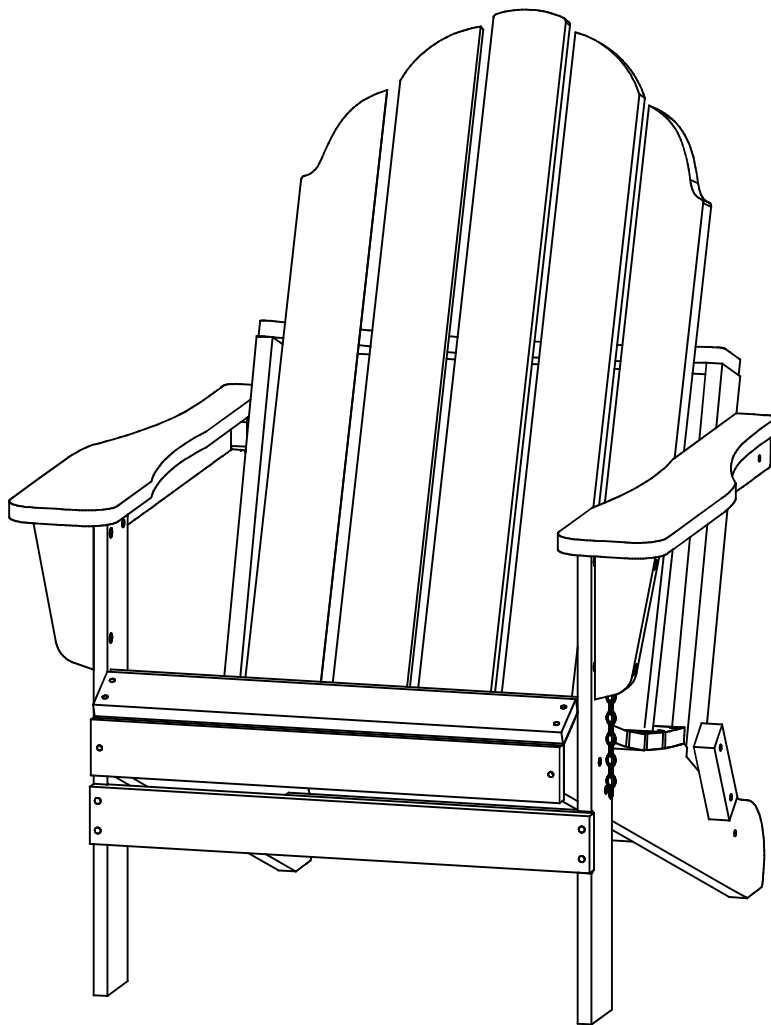


Assembly & Instruction Manual

Adirondack Chair

Installation Guide



Save this manual for future reference

INTRODUCTION

Thank you for purchasing Adirondack Chair! We hope you will find joy in our products for many years to come.

To ensure your personal safety during installation and to get the most out of your investment, please read this entire manual before beginning the installation process. If you feel that this process is too difficult to do on your own, we advise that you seek assistance from a local building or home improvement contractor.



WARNING Improper installation and operation of your swing can result in severe personal injury as well as product failure not covered by warranty. Please follow all instructions carefully or contact technical support for assistance.

We believe that installation can be a simple, streamlined process if you follow the instructions in this manual. Please contact our customer support line for help any step of the way. If you need assistance with assembly, have missing or defective parts, or any other issues, please contact us.

WARNINGS

THIS ITEM IS INTENDED FOR OUTDOOR DOMESTIC USE ONLY, NOT FOR COMMERCIAL USE.

Do not discard any of the packaging until you have checked that you have all the parts and pack of fittings.

Keep children away during assembly. This item contains small parts which can be swallowed by children. Children should always be under direct adult supervision while using the product.

Retain the assembly instructions for future reference.


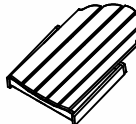
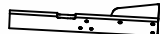



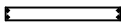
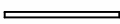
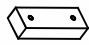
- Please do not exceed the weight limitations of this item.
- Do not stand on or use any part of this item as a step ladder
- Firmly secure all bolts, screws, and nuts before use.
- Reconfirm that all bolts, screws and nuts are secure every 90days.
- Do not use or store this item in the proximity of open flame or flammable/combustible chemicals.
- Be care that some parts are heavy and have sharp edges



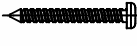


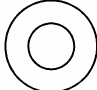

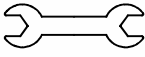
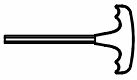
CARE AND MAINTENANCE

Wipe with damp cloth and mild soap,Collapse and store away when not in use.

Do not use abrasive materials, cleansers or bleach products

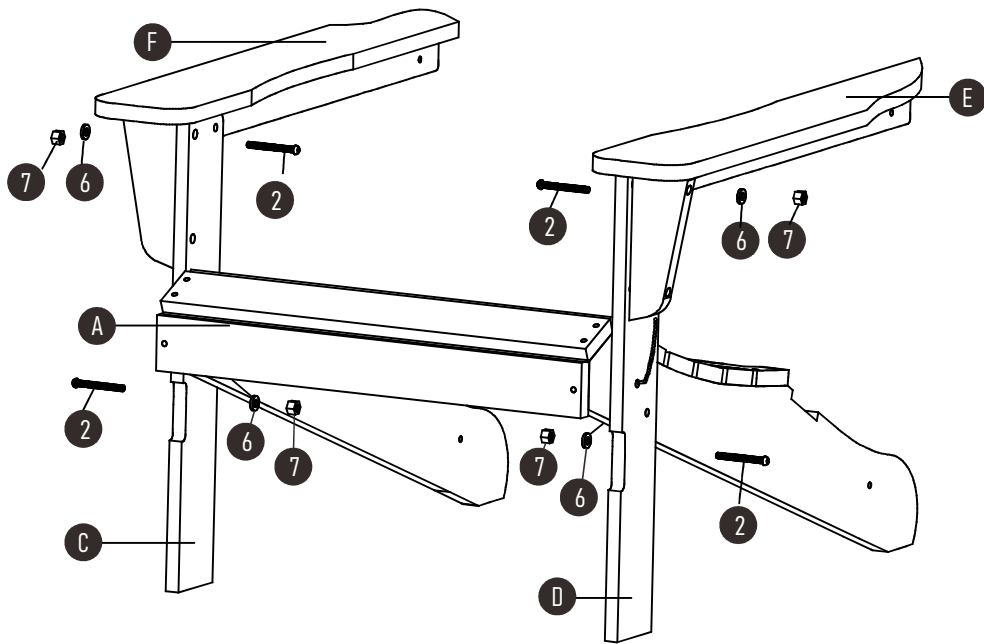
PARTS LIST

Parts	Desc	Qty
A		1
B		1
C		1
D		1
E		1
F		1
G		1
H		1
I		2

Parts	Desc	Qty
1	 M6*80mm	2
2	 M6*60mm	4
3	 M6.3*50mm	4
4	 M6*50mm	2
5	 M6.3*30mm	4
6		8
7		8
8		1
9		1

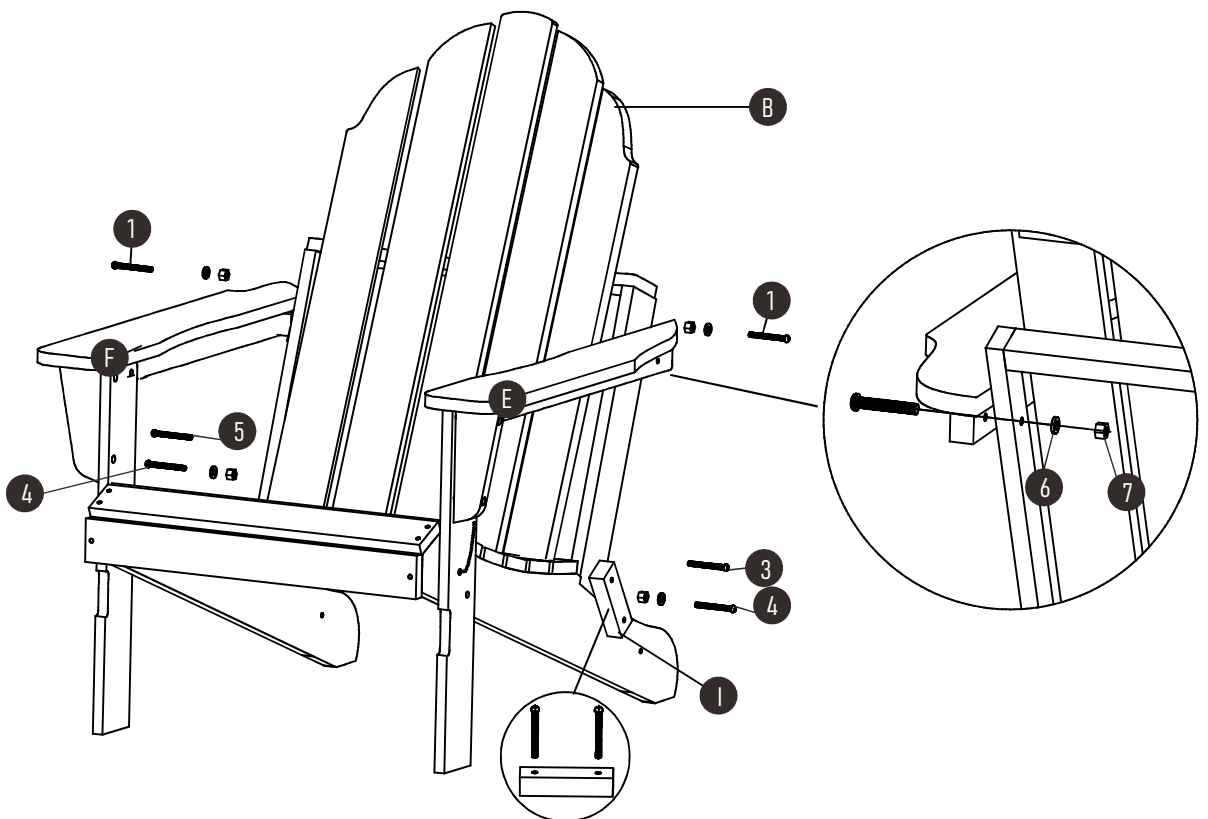
Assembly

1



Attach the both side of Front Leg(C&D) to Chair Seat (B) with bolt (2) , nut (7) and washer (6).

2

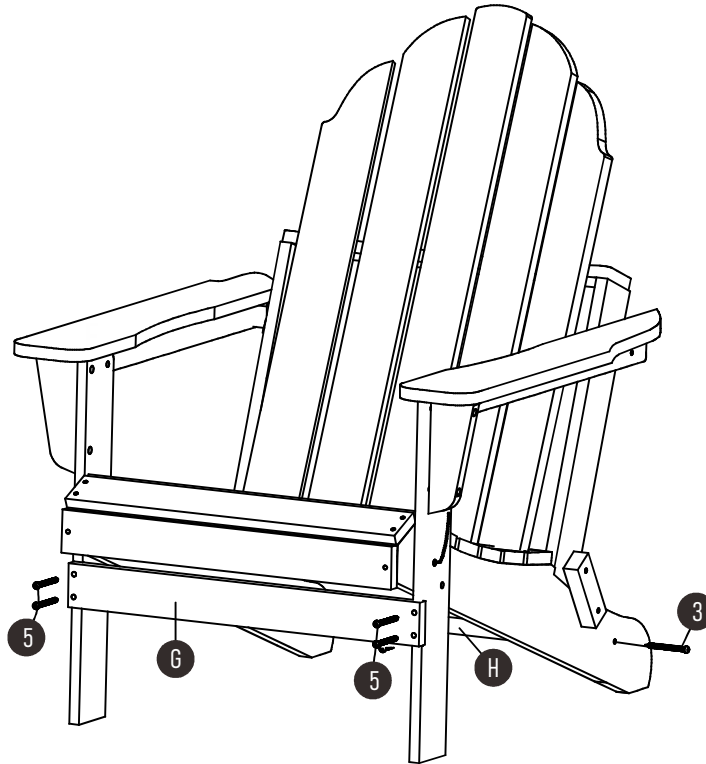


Attach both side of the Chair Arm(E&F) to Chair Backrest with bolt (1)

Attach both side of Locking Blocks(I) to Chair Backrest with bolt (3) , to Chair Seat with bolt (4) , nut(7) , washer(6)

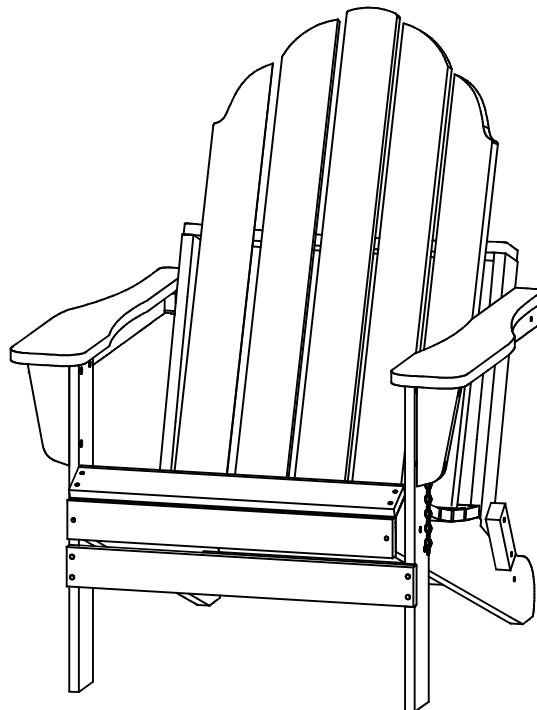
Assembly

3



Attach Front Race (G) to the Chair Legs with bolt (5), and attach Back Race to Chair Seat (A) with bolt (3)

4



Please don't hesitate to contact us for any further questions,
your satisfaction is guaranteed.