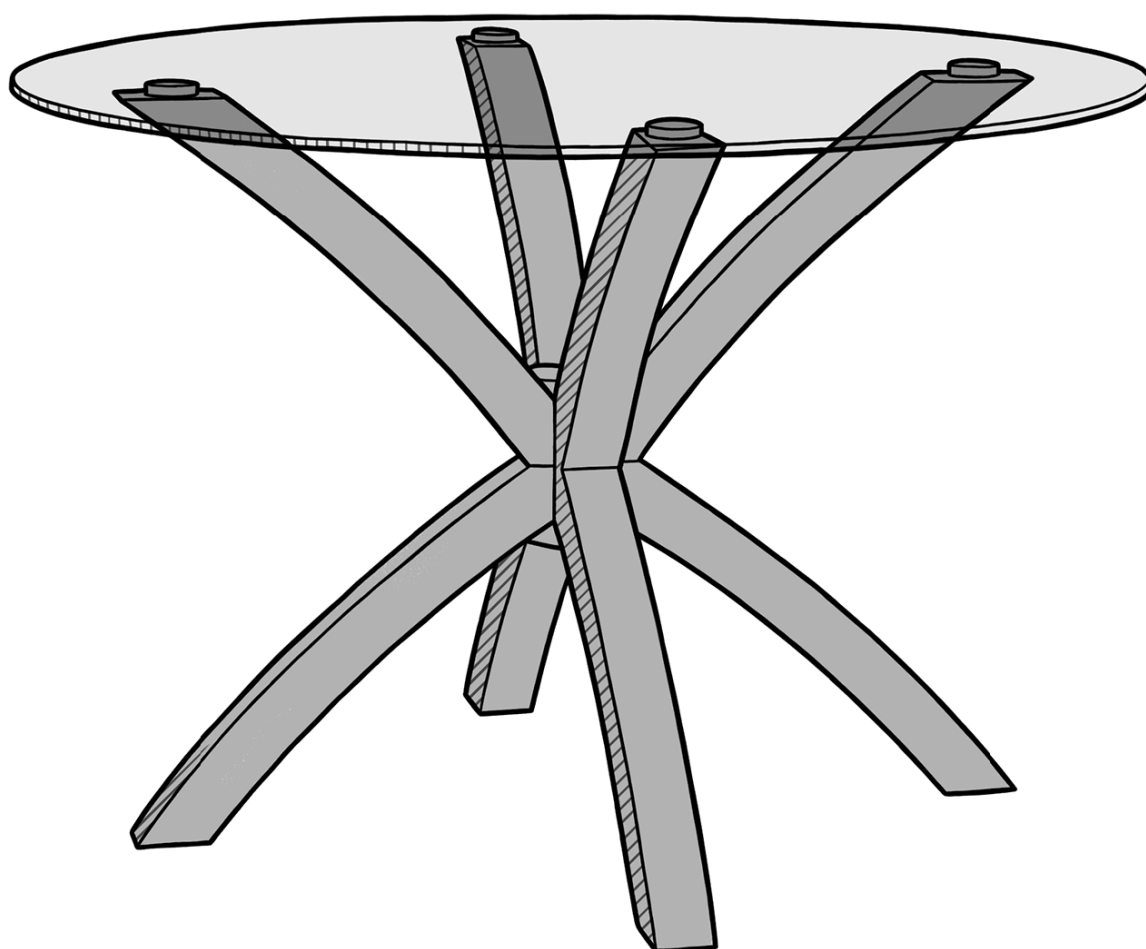
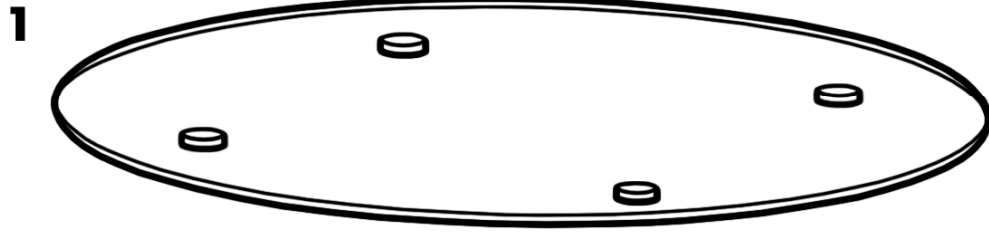


INSTRUCTION MANUAL

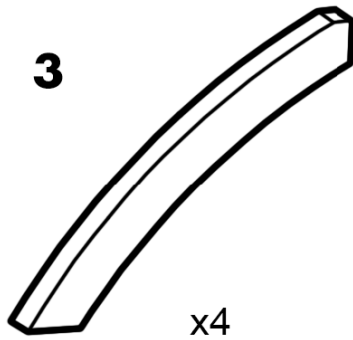
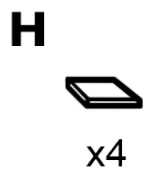
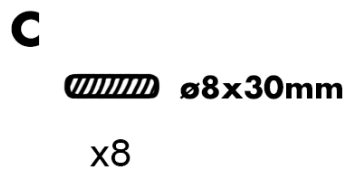
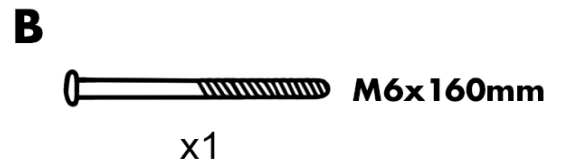
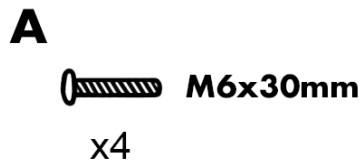
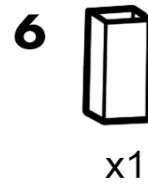
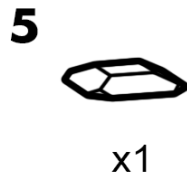
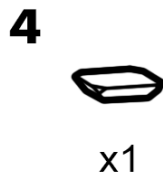
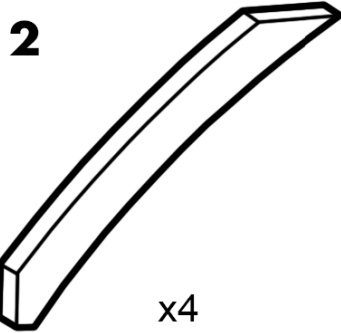


Instructions side 1

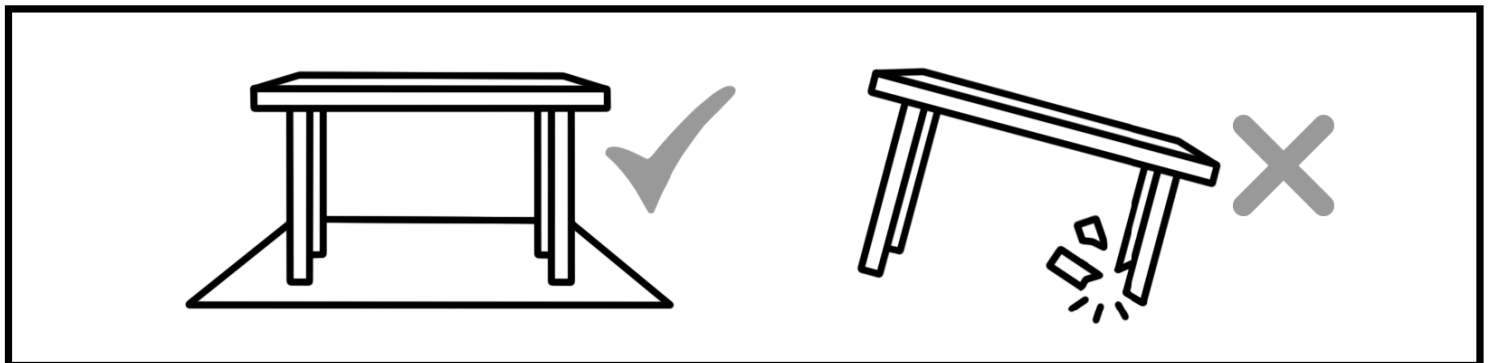
2 people recommended for assembly



x1

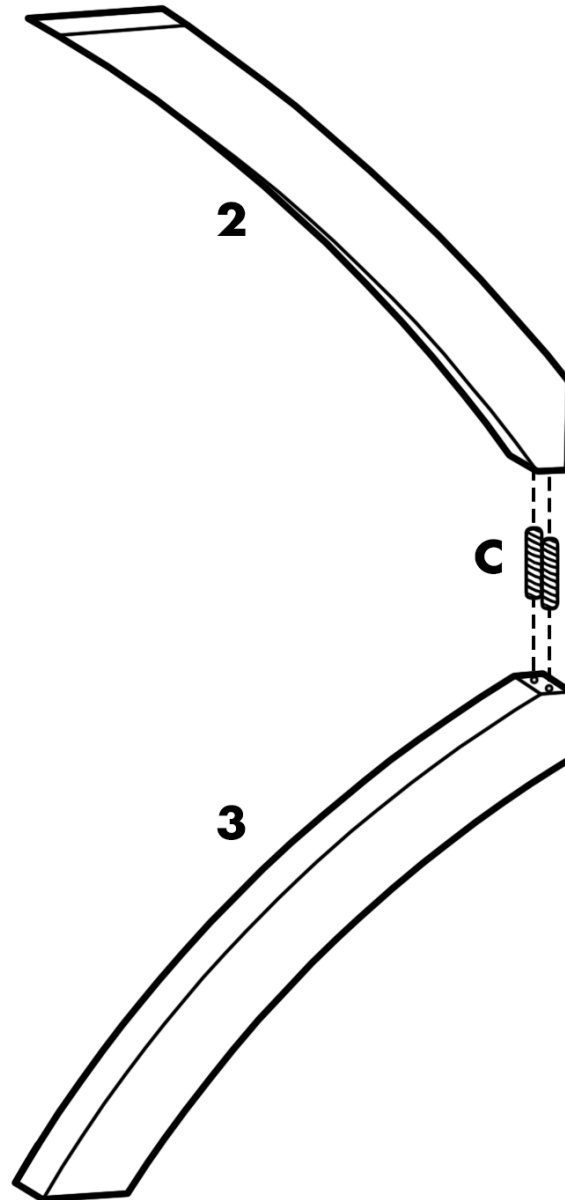


Advice: A mat should be put down to avoid damage to the product or people around



1

**Screw leg top (2) and leg bottom (3) together.
Repeat for all four legs**



Parts needed in step 1:

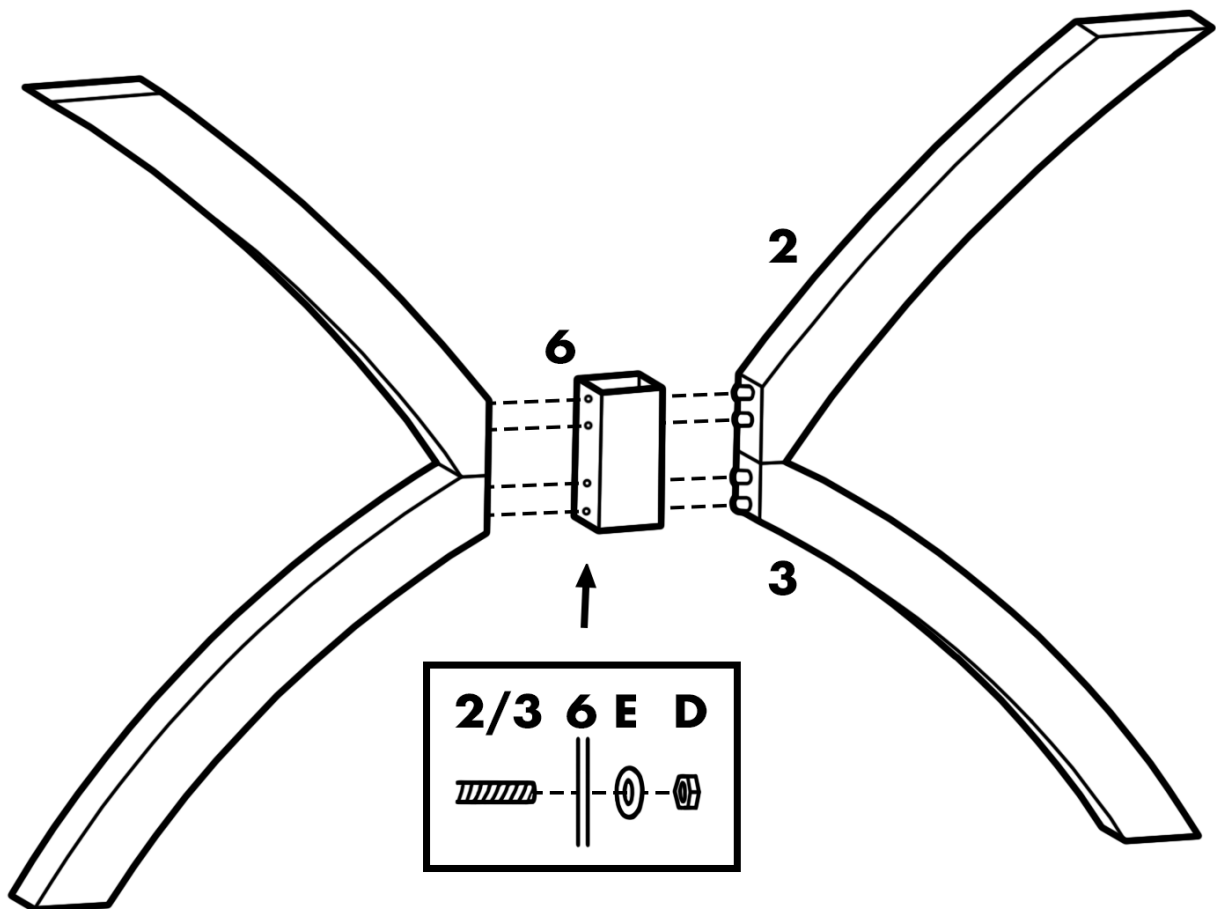
Leg tops (2) x4

Leg bottoms (3) x4

Dowels (C) x8

Instructions side 2

- 2** Insert leg rods (2&3) into the metal support (6). Then attach a washer (E) and nut (D) onto the end of each rod to secure them. Repeat for all legs

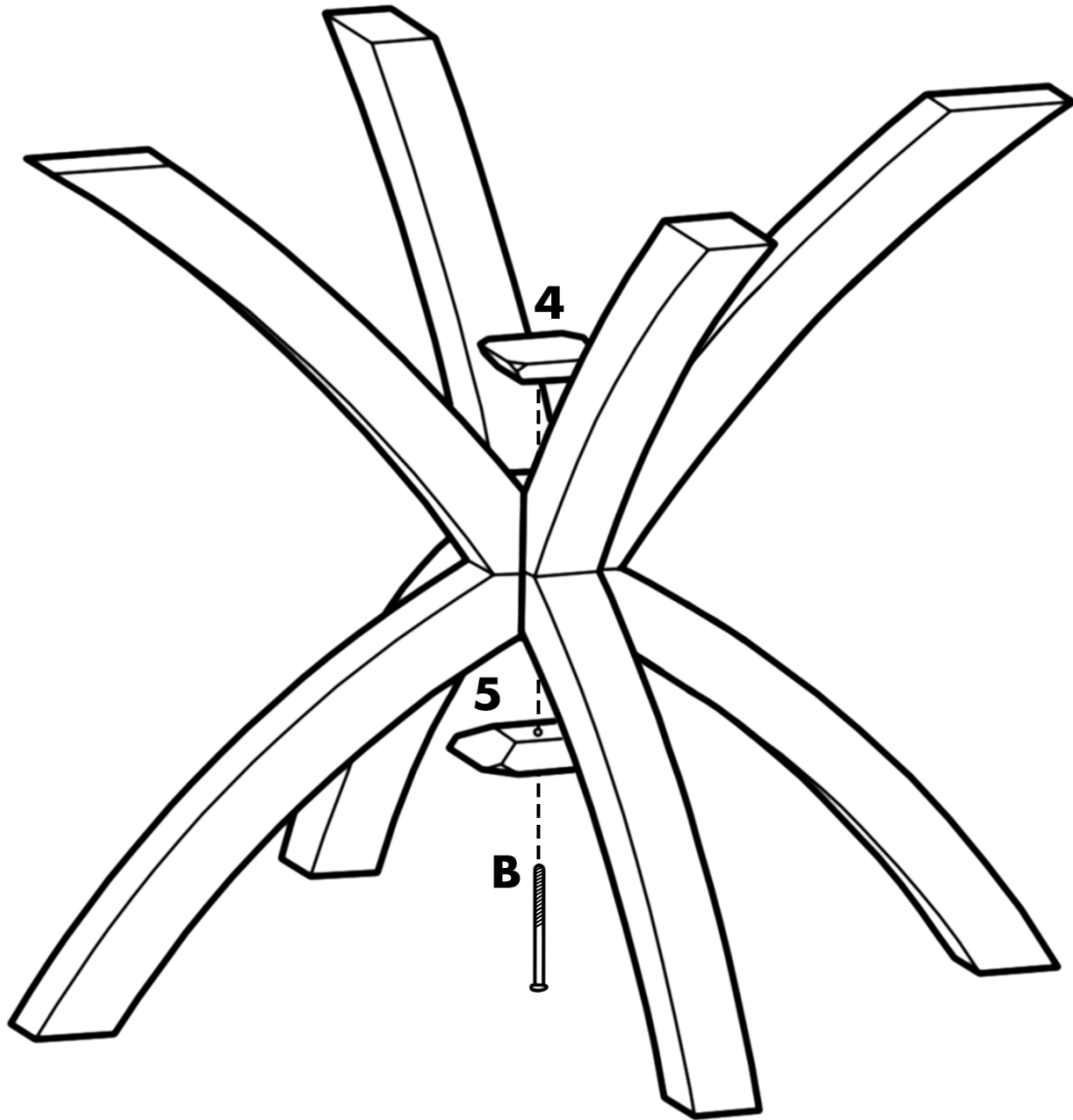


Parts needed for step 2:

Completed step 1	x4	Washers (E)	x16
Metal support (6)	x1		
Nuts (D)	x16		

3

Screw wooden top (4) and bottom (5) together on either side of the metal support (6)

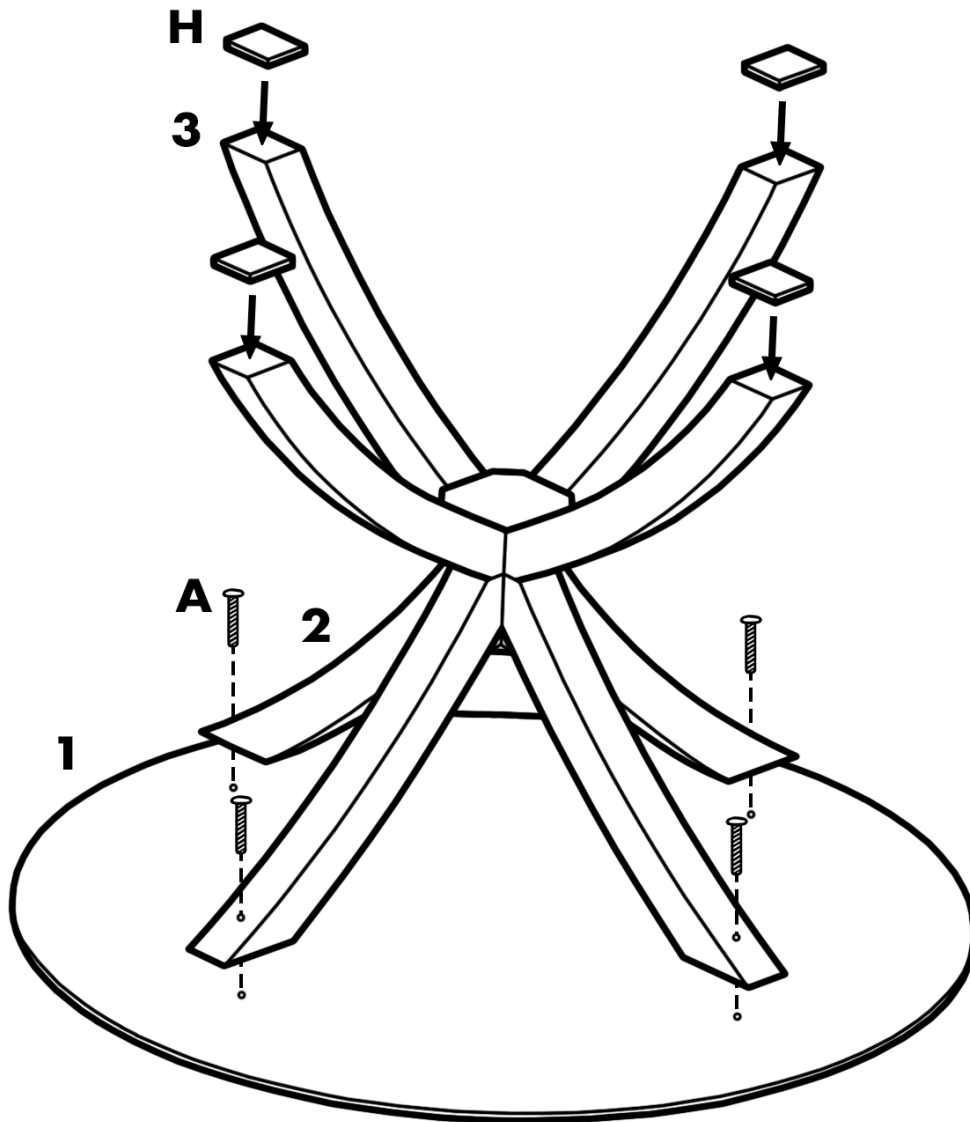


Parts needed for step 3:

Completed step 2	x1	Screw (B)	x1
Wooden top (4)	x1		
Wooden bottom (5)	x1		

Instructions side 3

- 4** Carefully turn assembly over and stick feet (H) onto the bottom of leg bottoms (3). Screw leg tops (2) into underside of tabletop (1). Then turn assembly over



Parts needed for step 4:

Completed step 3	x1	Feet (H)	x4
Tabletop (1)	x1		
Screws (A)	x4		