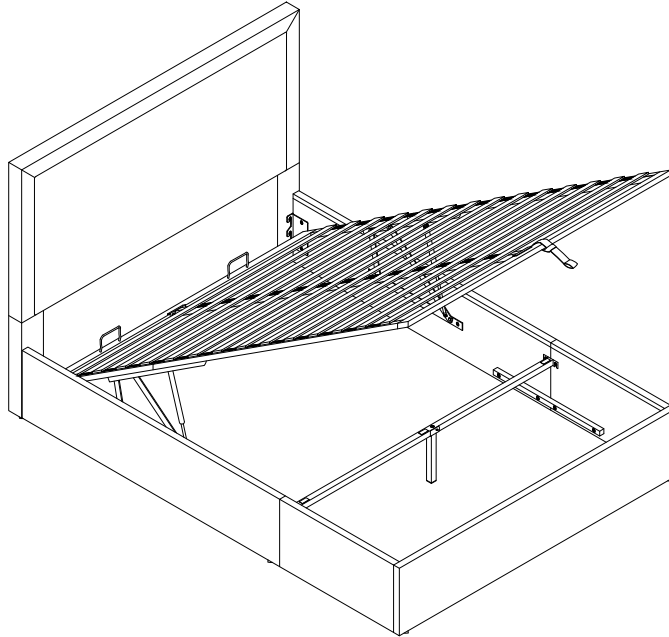
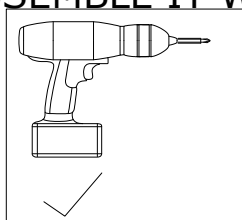


ASSEMBLY INSTRUCTION

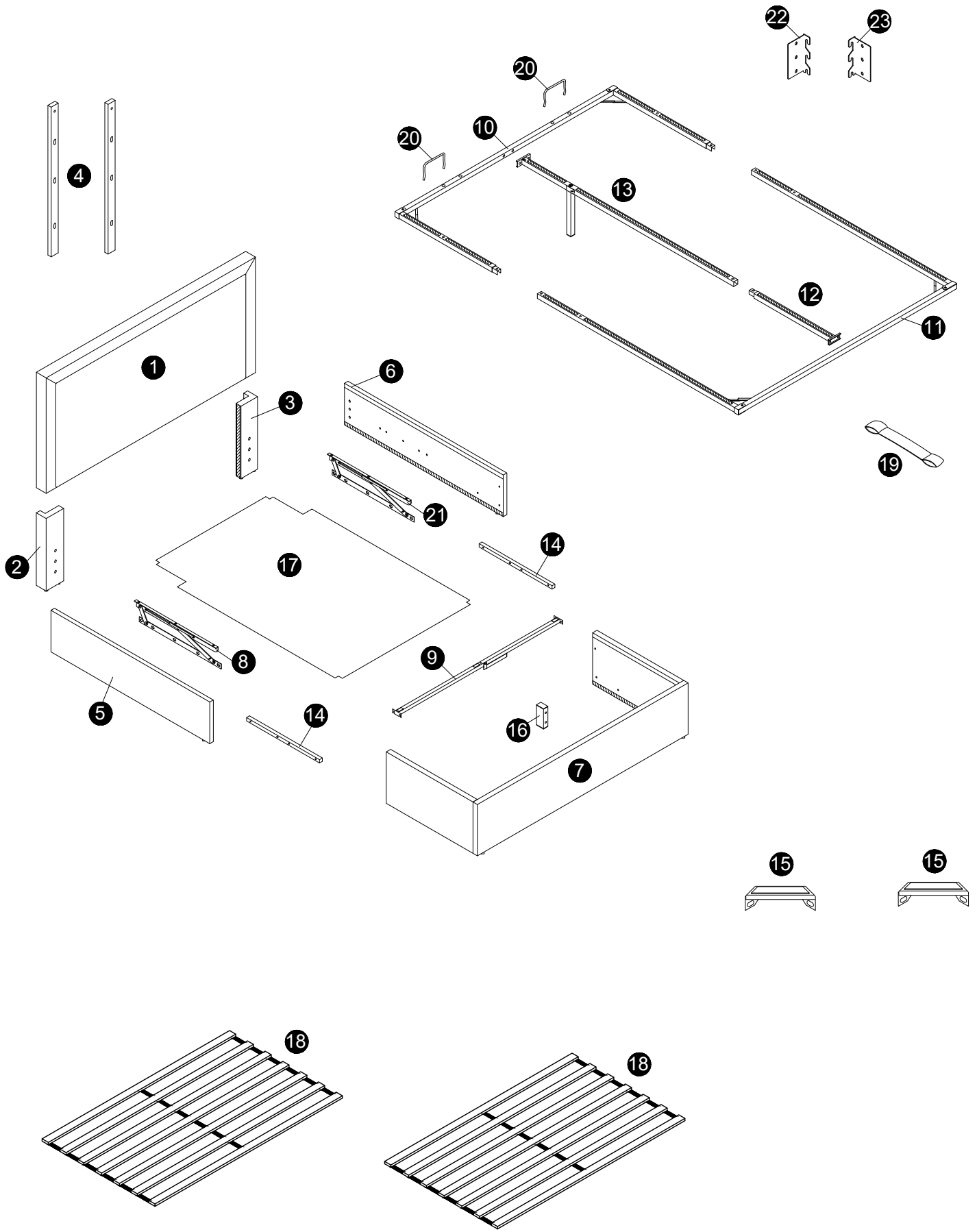


IMPORTANT NOTE

1. FOR THE PROTECTION OF YOUR FURNITURE, PLACE ALL PARTS ON A CLEAN AND SMOOTH SURFACE TO PREVENT ANY DAMAGE.
2. DO NOT USE POWER TOOLS TO ASSEMBLE THE BED.
3. PLEASE PERIODICALLY CHECK ALL FITTINGS AND RE-TIGHTEN AS NECESSARY.
4. DO NOT USE THE BED UNLESS ALL BOLTS AND SCREWS ARE FIRMLY SECURED.
5. NEED PARTS OR ASSISTANCE? EMAIL US
6. YOU CAN ASSEMBLE IT WITH OUR PACKAGING TOOLS OR WITH A.

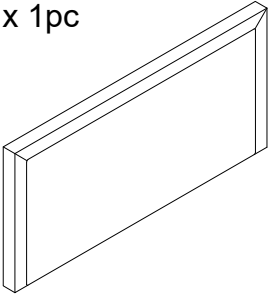


PART LIST



PART LIST

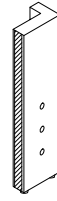
1 x 1pc



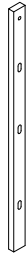
2 x 1pc



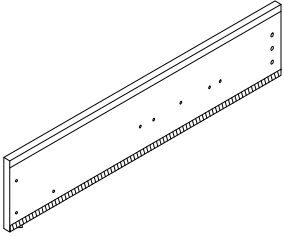
3 x 1pc



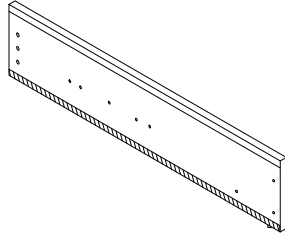
4 x 2pcs



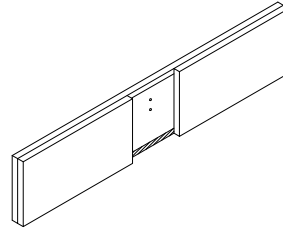
5 x 1pc



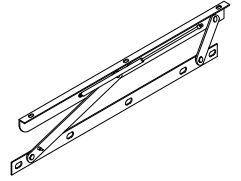
6 x 1pc



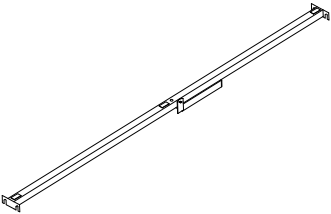
7 x 1pc



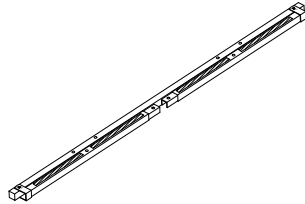
8 x 1pc



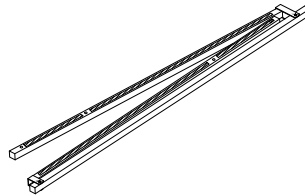
9 x 1pc



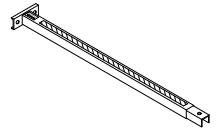
10 x 1pc



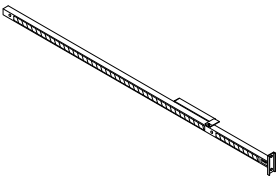
11 x 1pc



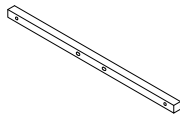
12 x 1pc



13 x 1pc



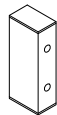
14 x 2pcs



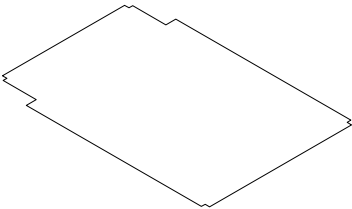
15 x 2pcs



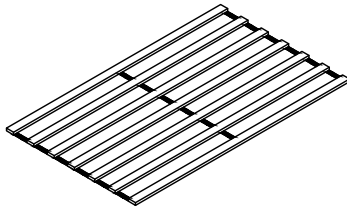
16 x 1pc



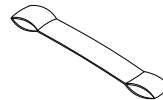
17 x 1pc



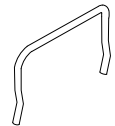
18 x 2pcs



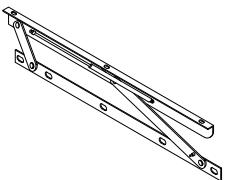
19 x 1pc



20 x 2pcs



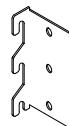
21 x 1pc













22 x 1pc



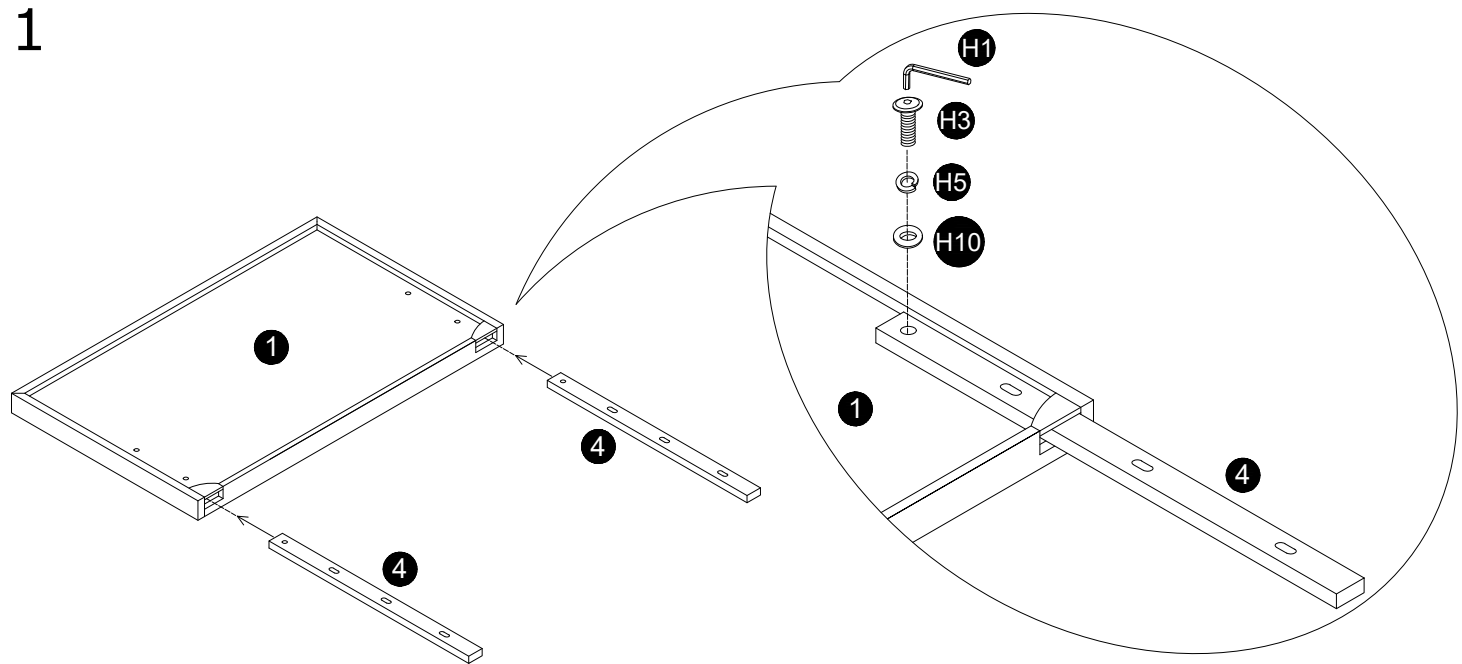
23 x 1pc



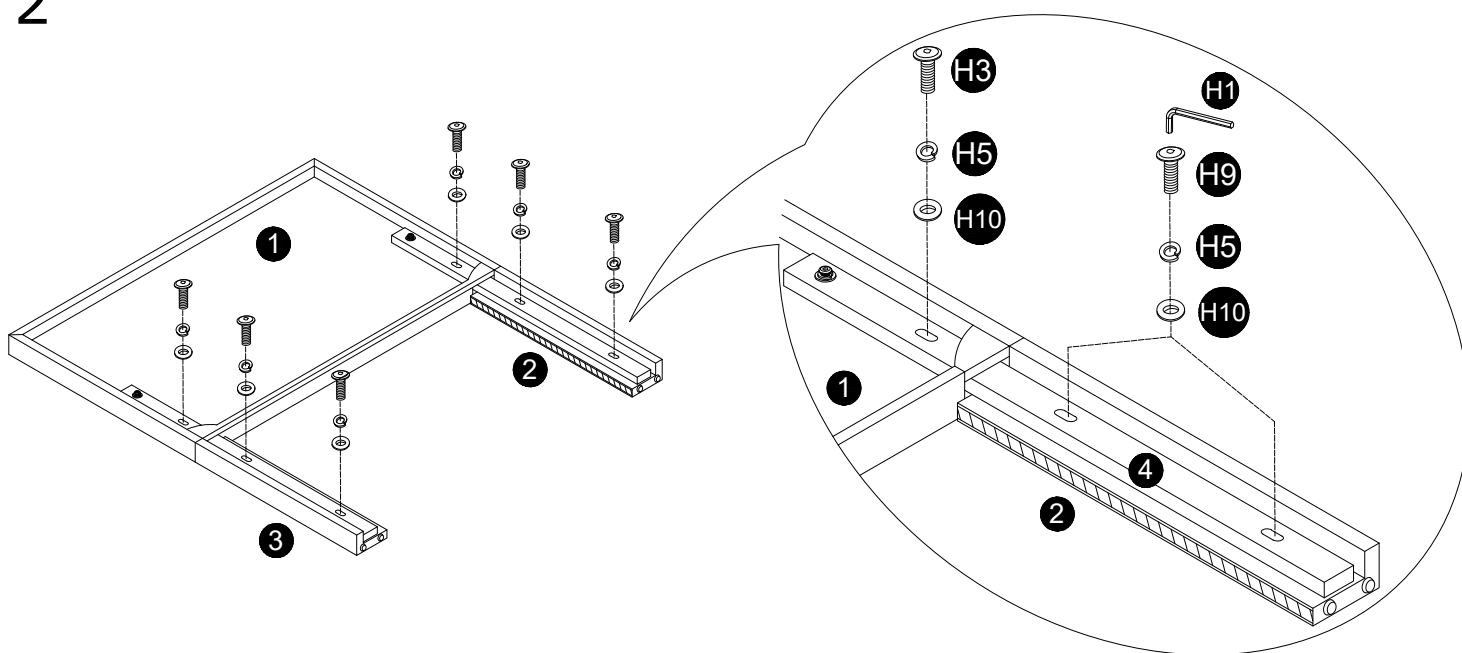
HARDWARE LIST

 H1 M5 x 1pc	 H2 M8x25mm x 35pcs	 H3 M8x40mm x 12pcs	 H4 M8x60mm x 2pcs
 H5 M8 x 47pcs	 H6 M8x17mm x 53pcs	 H7 M8 x 6pcs	 H8 M14 x 1pc
 H9 M8x50mm x 12pcs	 H10 M8x22mm x 8pcs		

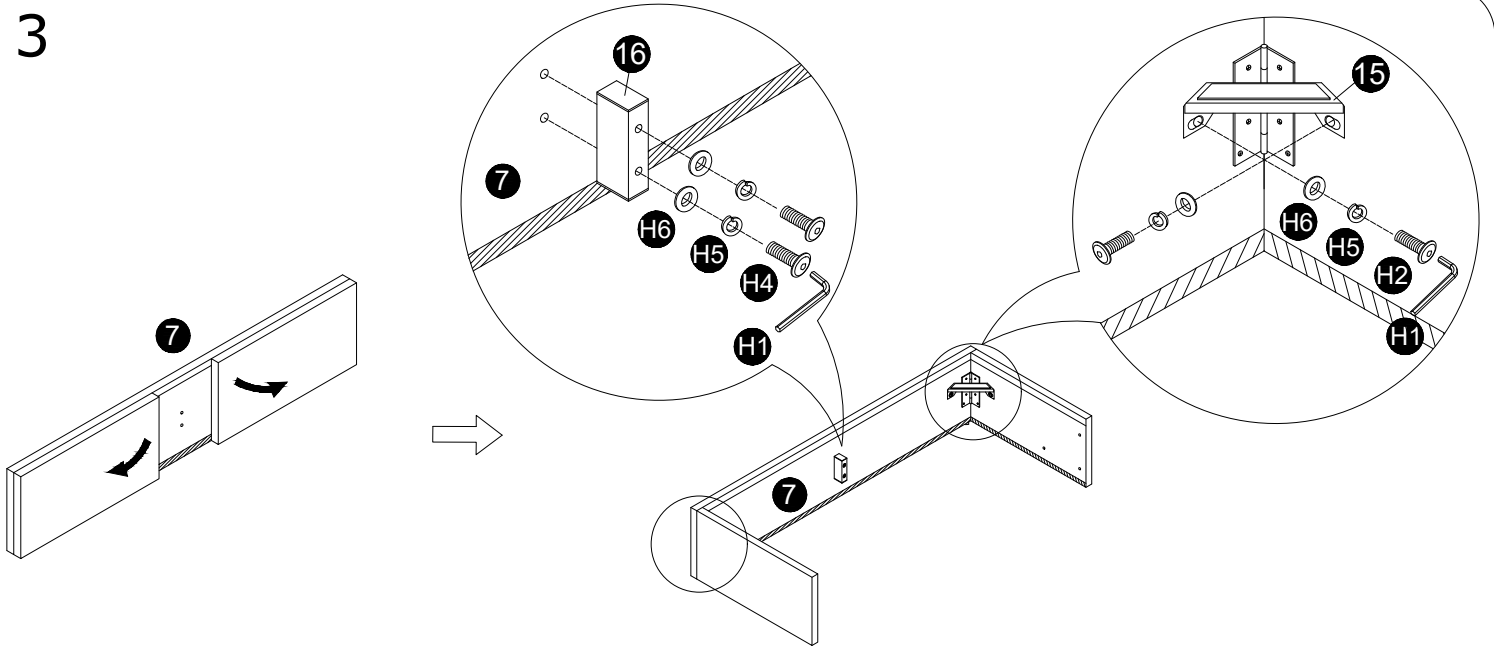
1



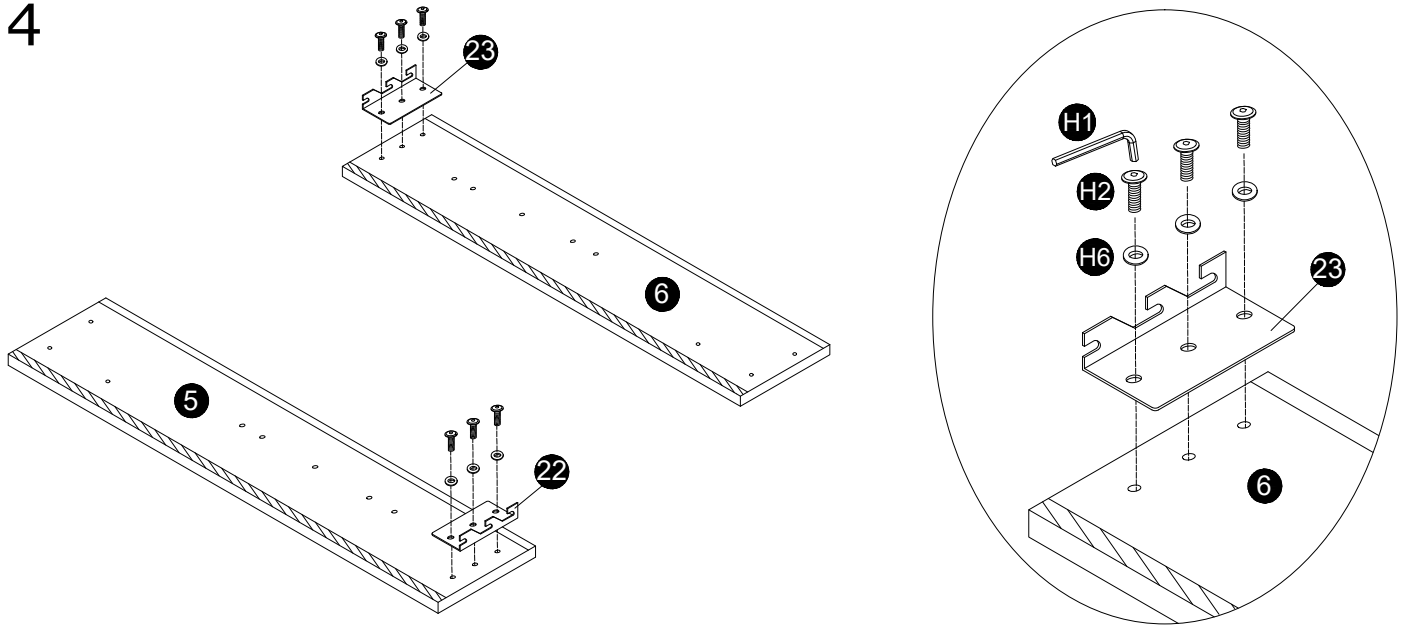
2



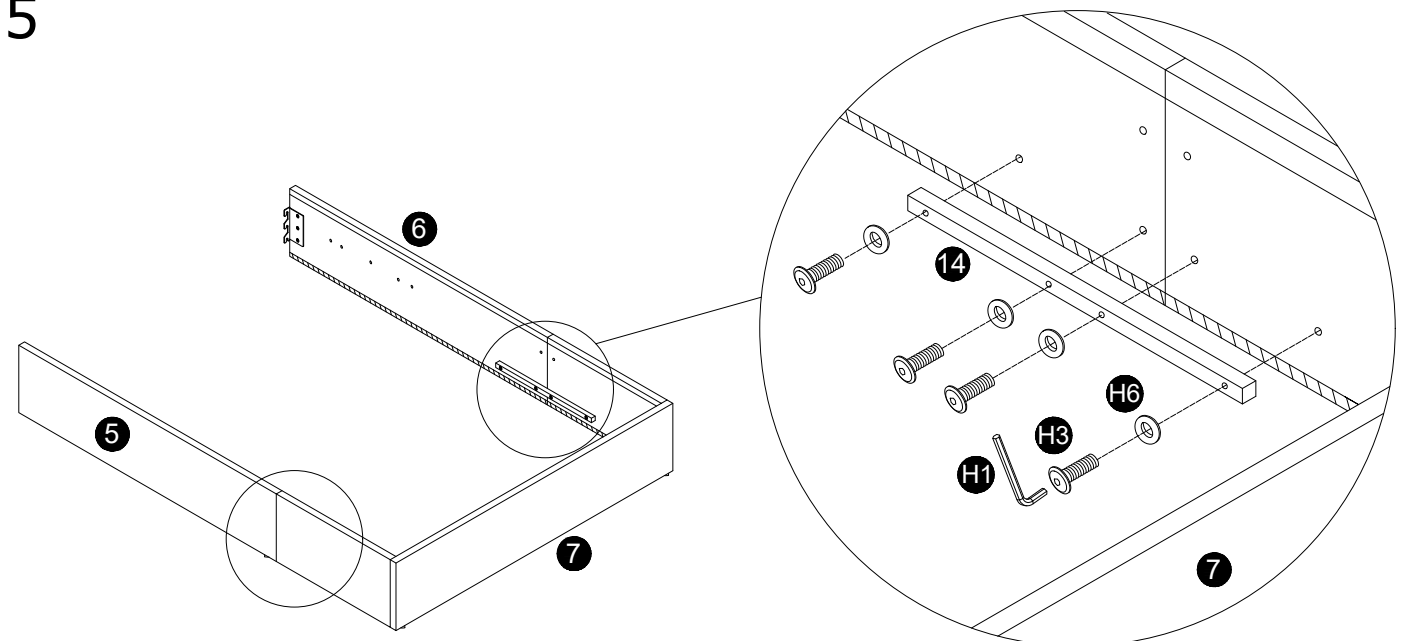
3



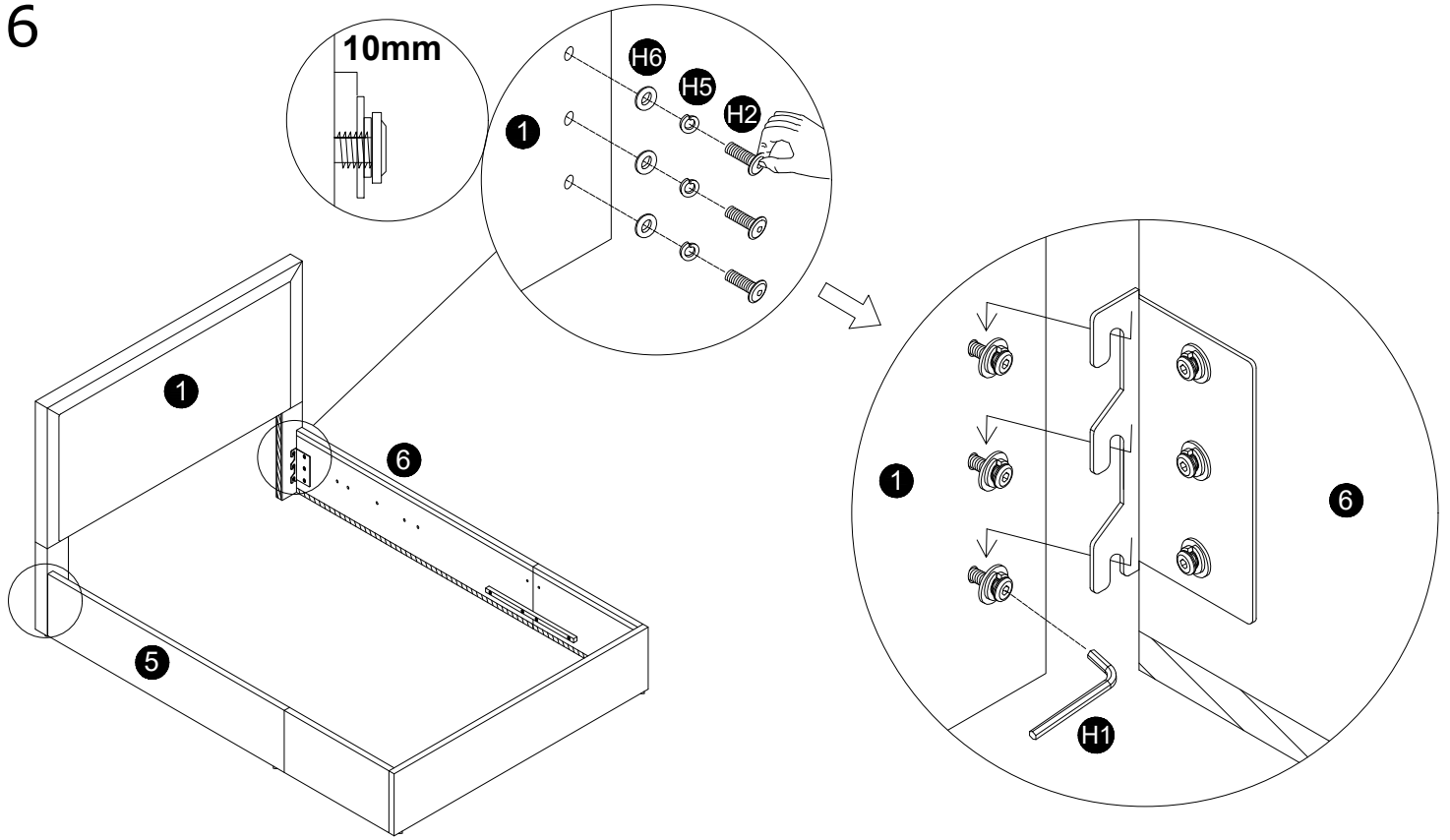
4



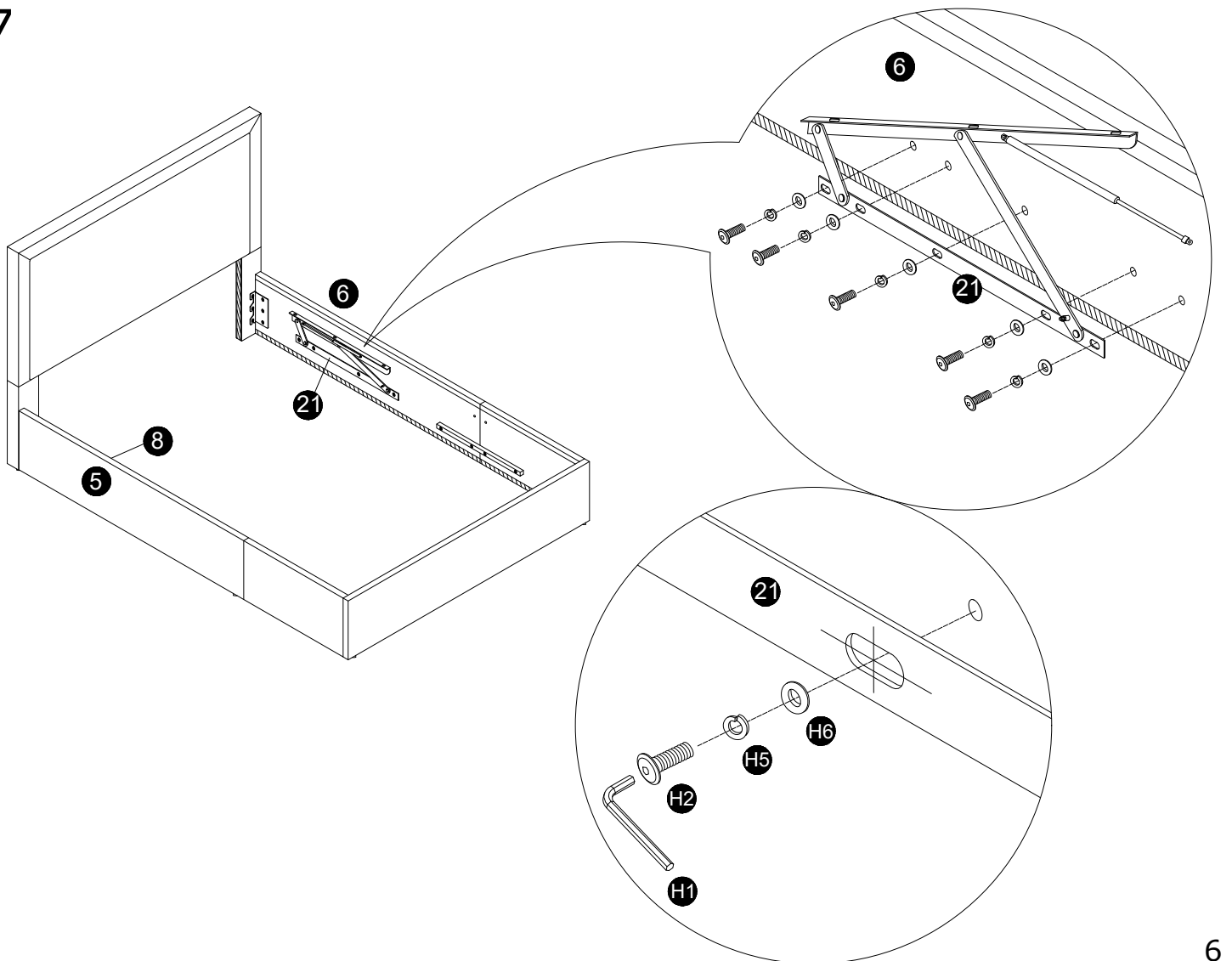
5



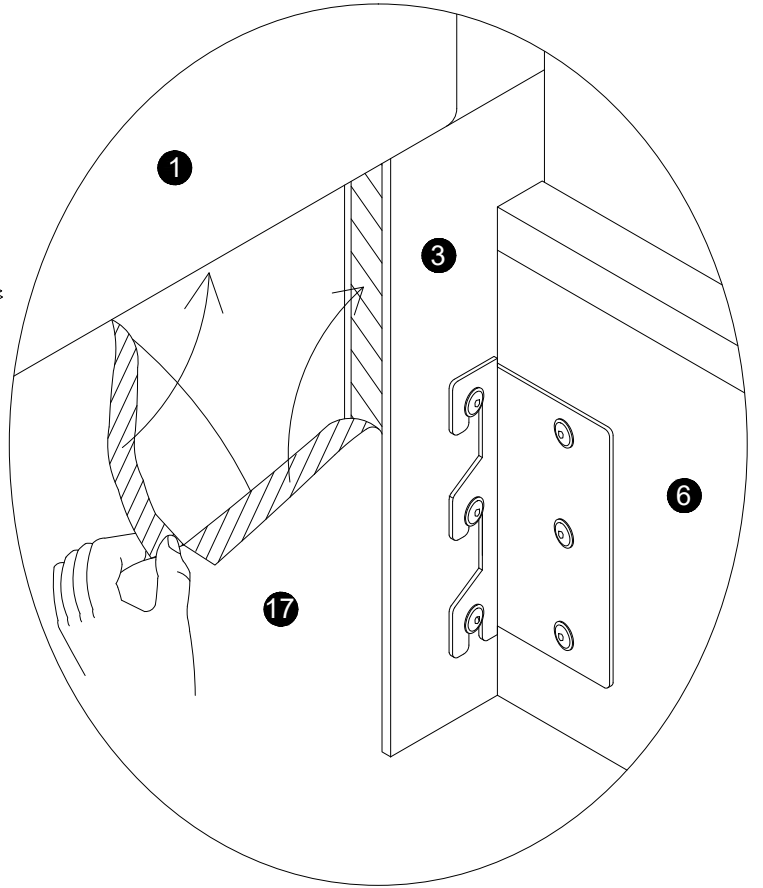
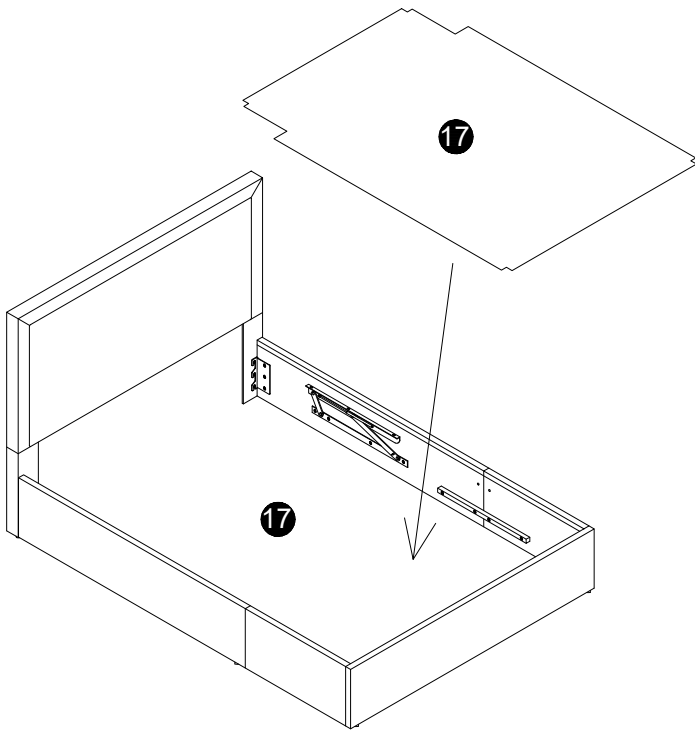
6



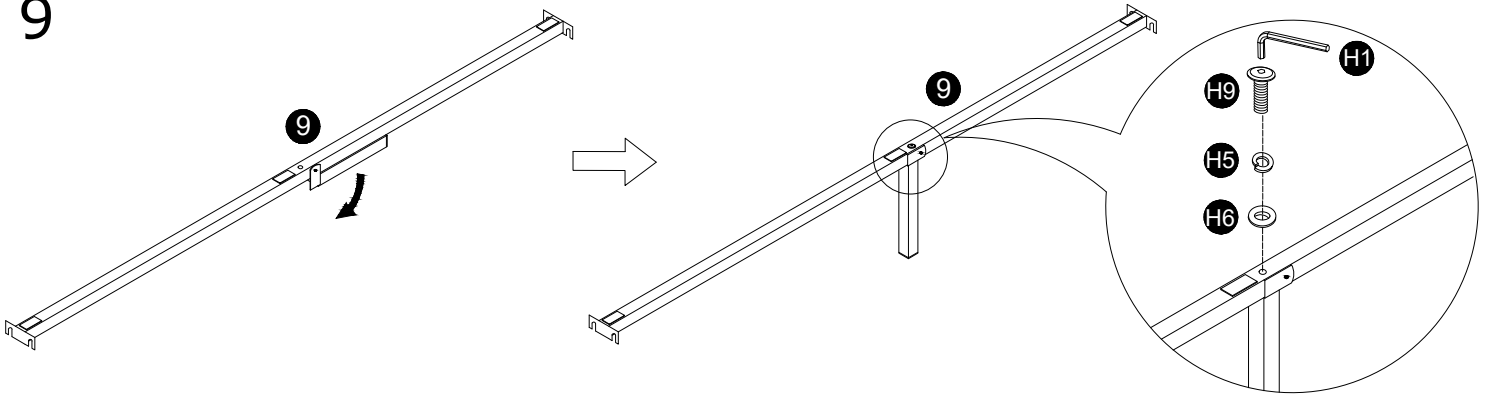
7



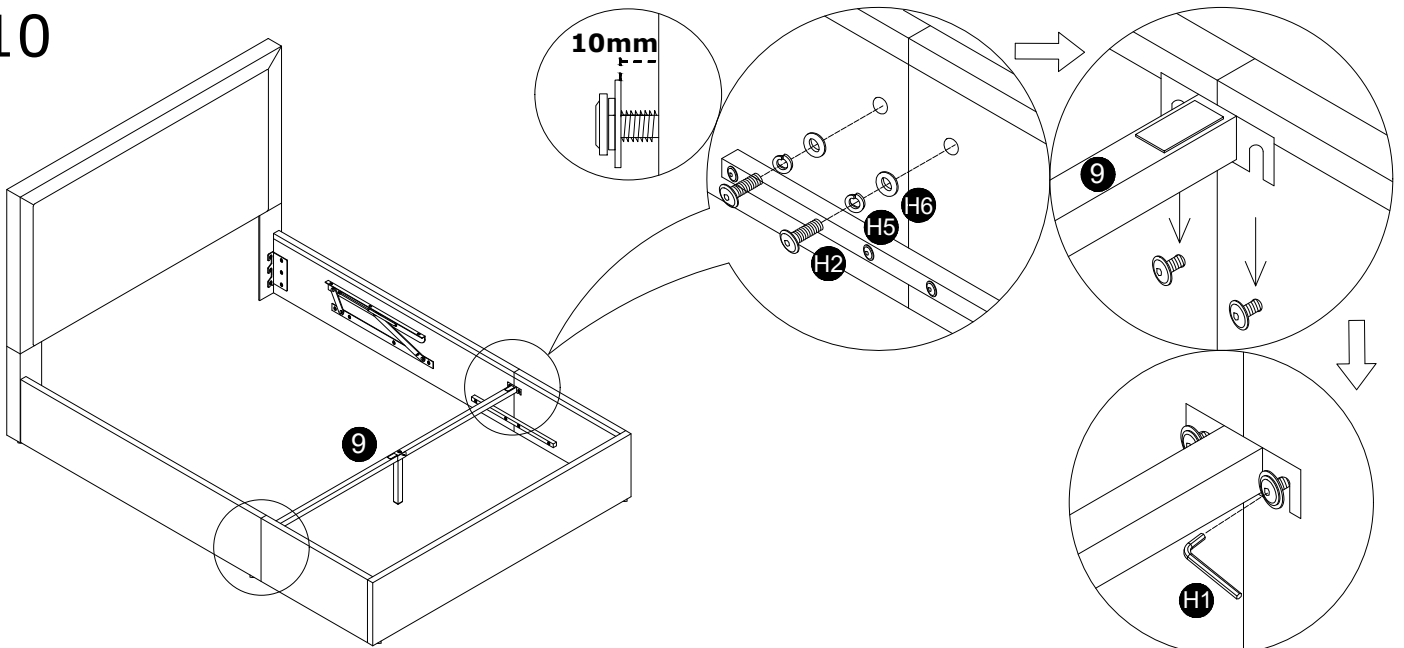
8



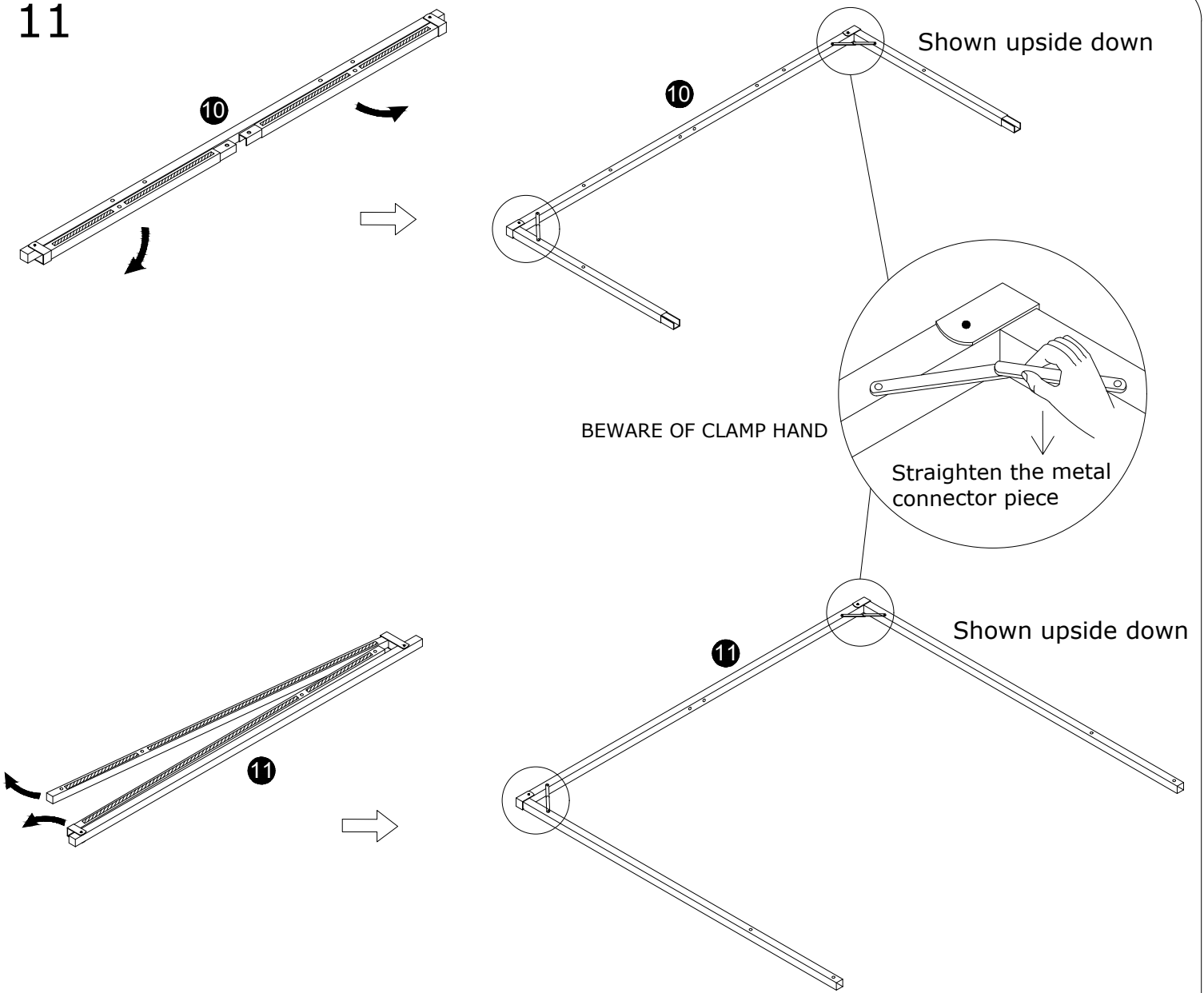
9



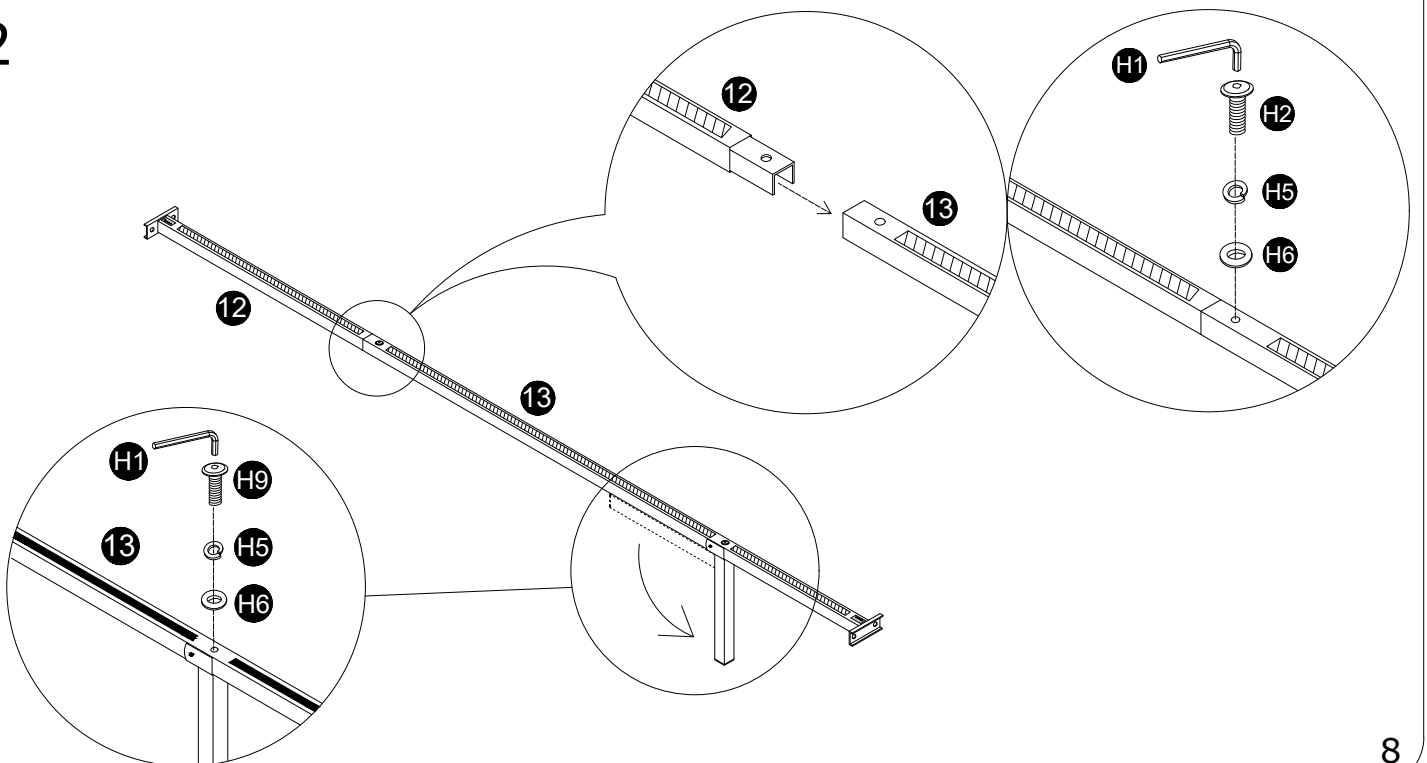
10



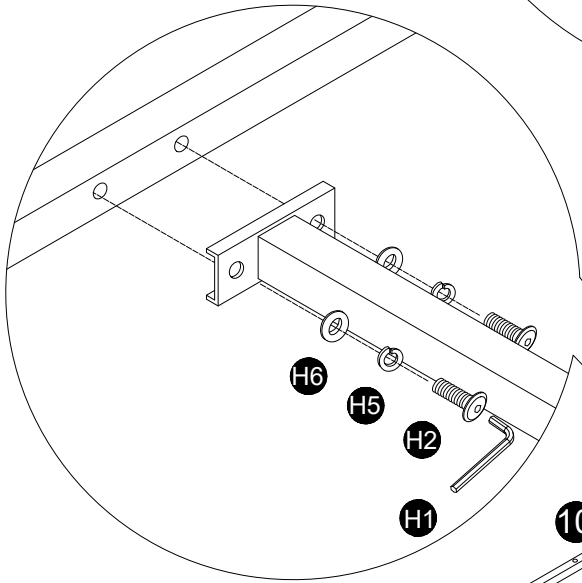
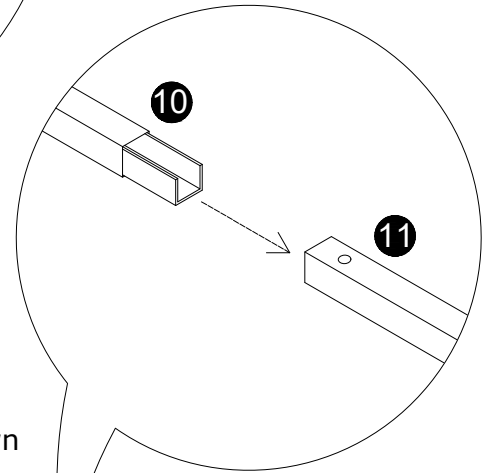
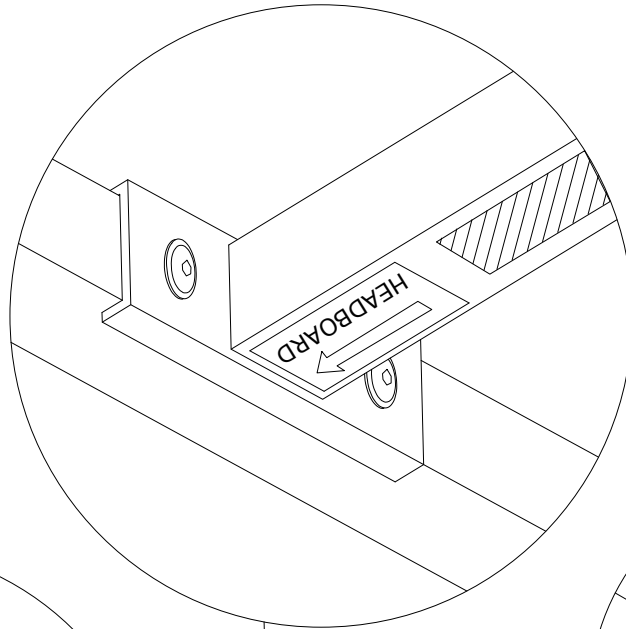
11



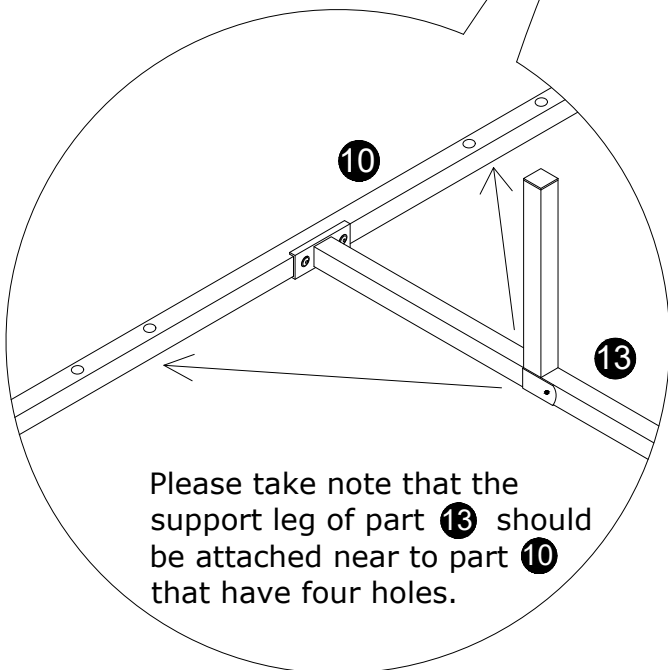
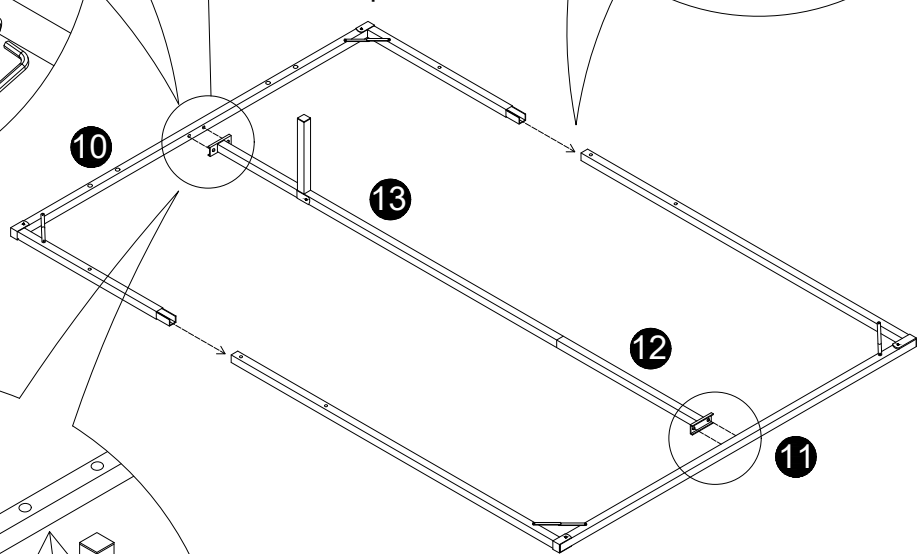
12



13

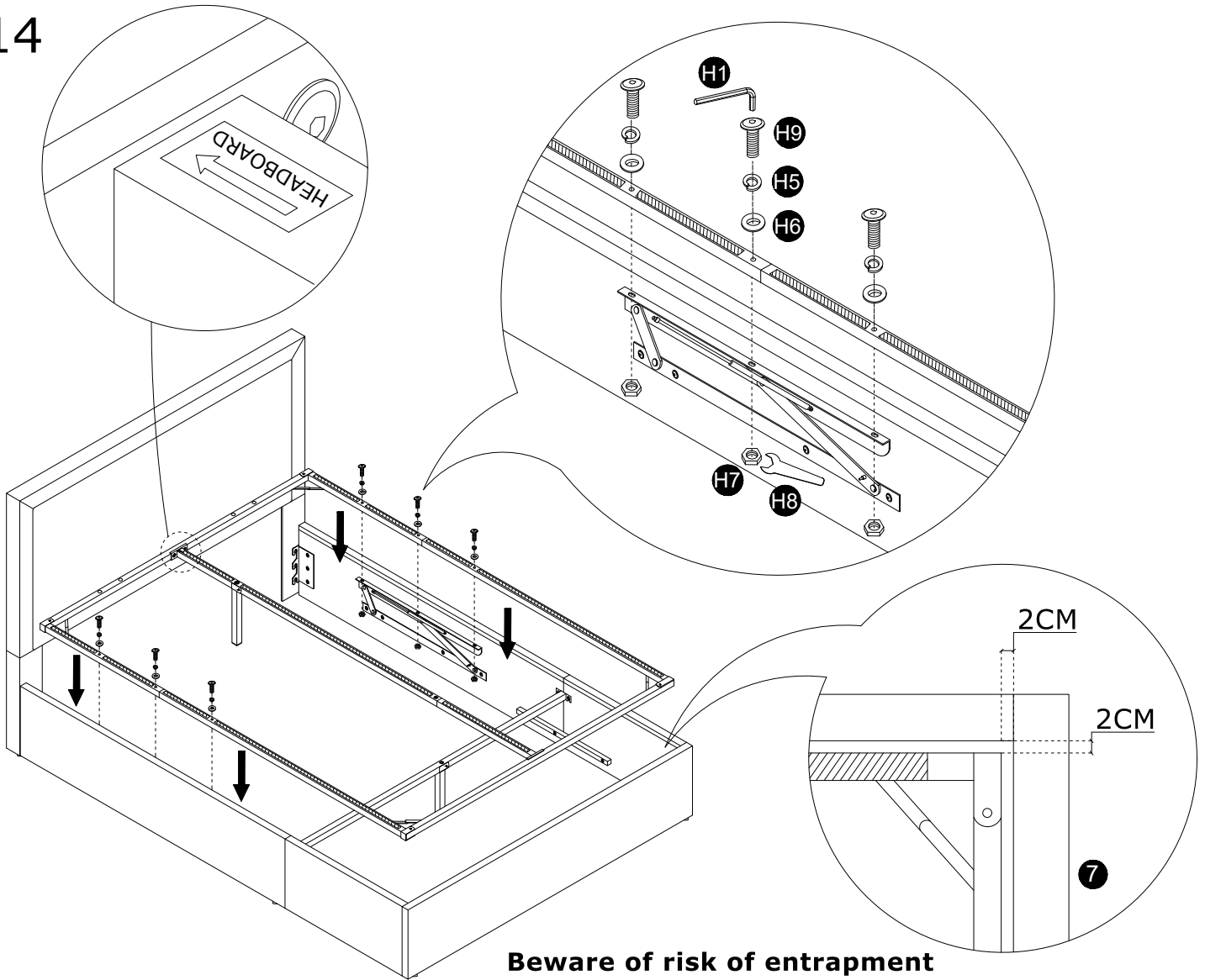


Shown upside down



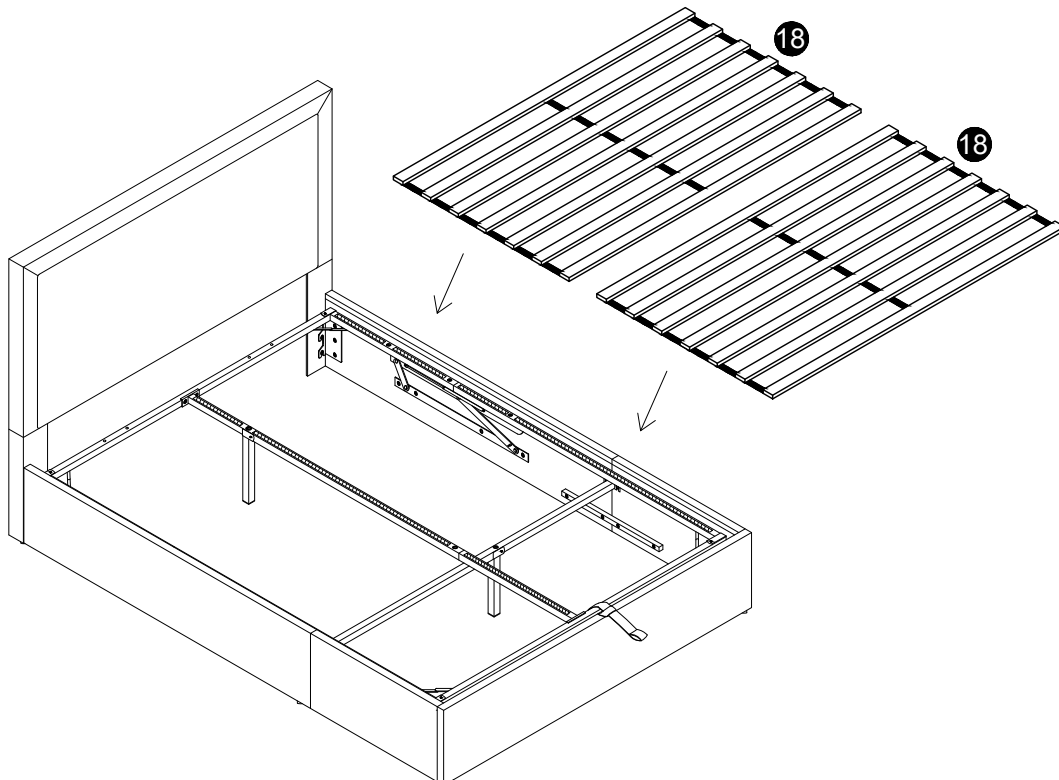
Please take note that the support leg of part 13 should be attached near to part 10 that have four holes.

14

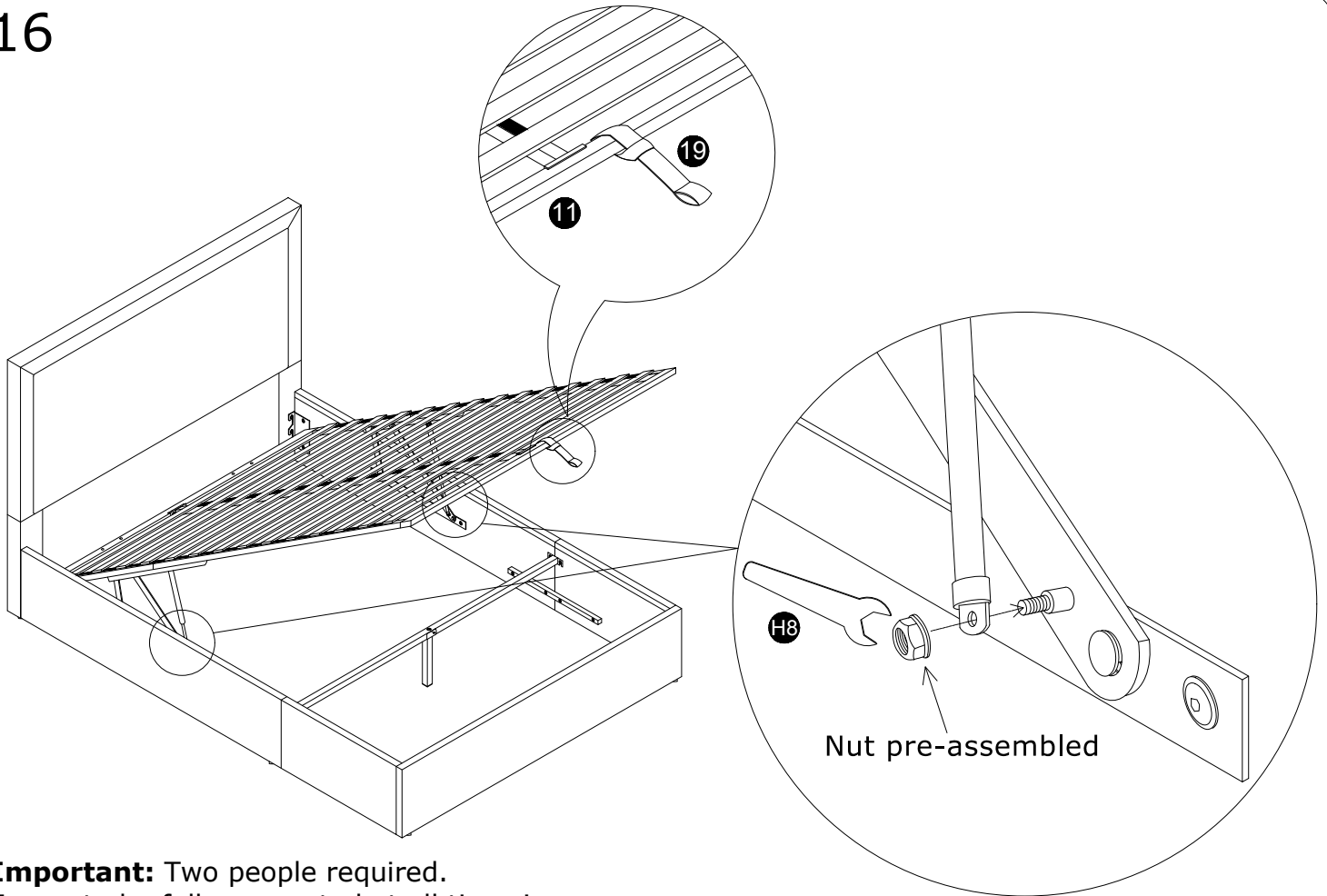


**Beware of risk of entrapment
from folding hinges!**

15

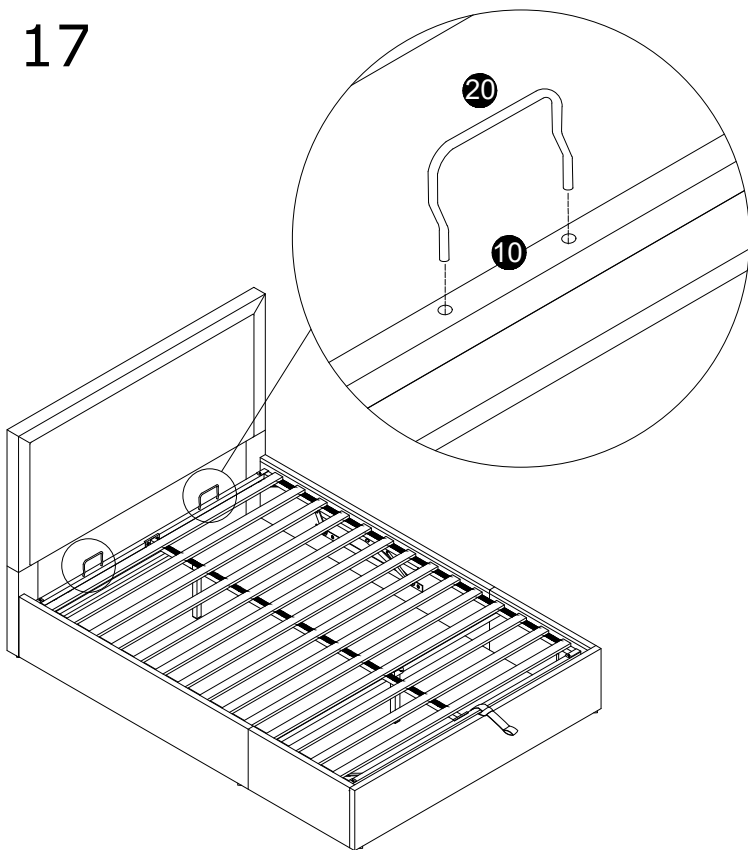


16

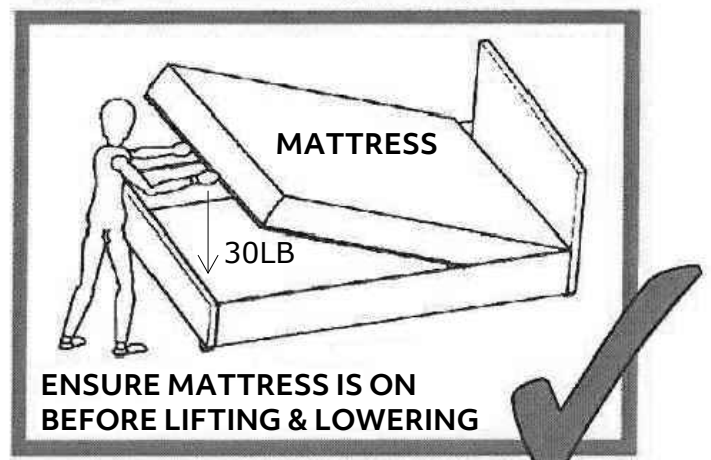


Important: Two people required.
Frame to be fully supported at all times!

17



After placing the mattress on frame,
push down the frame with 30lbs force.



Job Complete !

In the interest of our environment please dispose of all packaging thoughtfully.