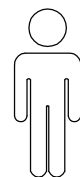
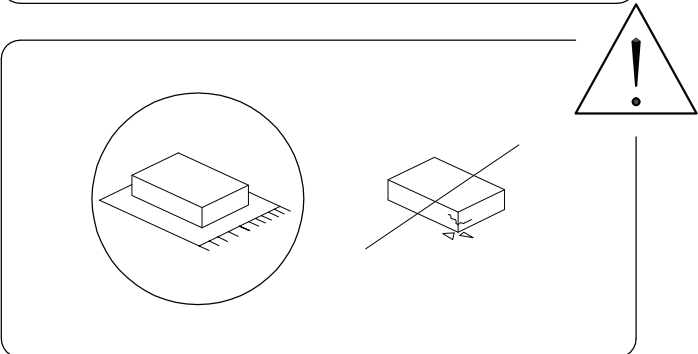
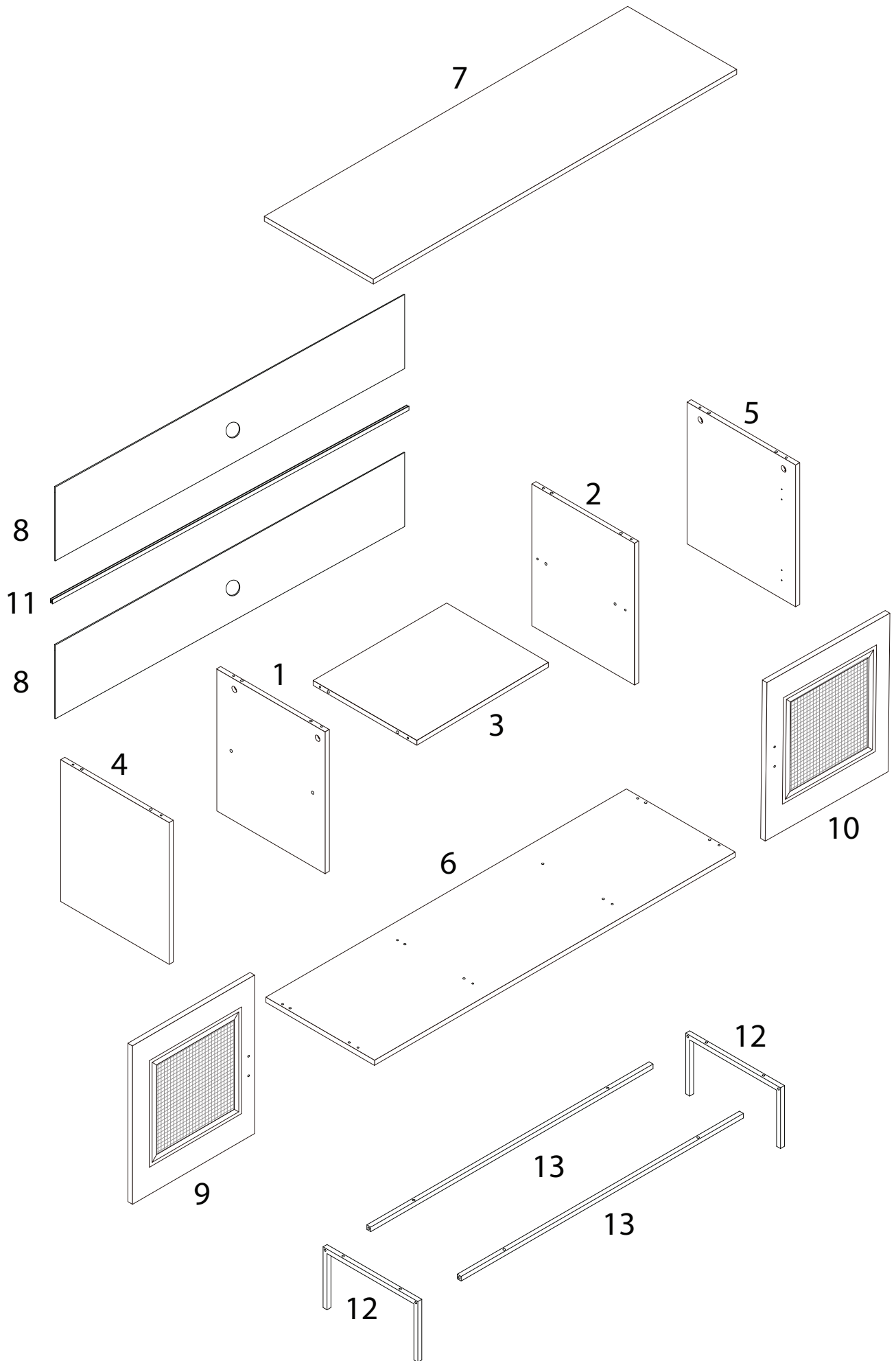
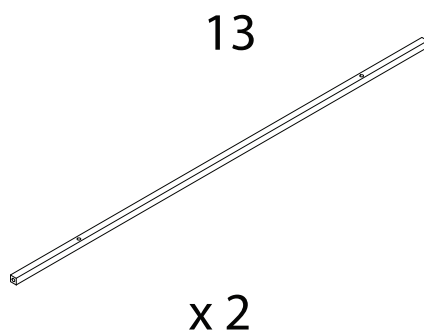
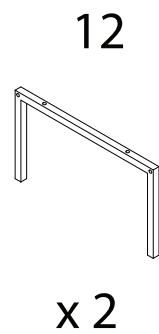
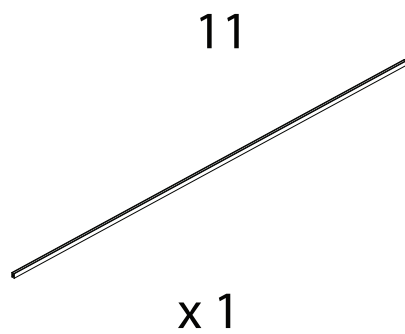
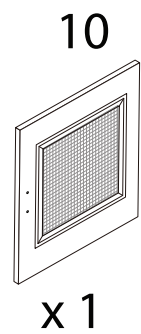
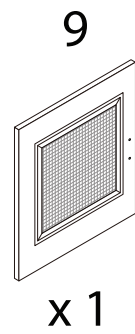
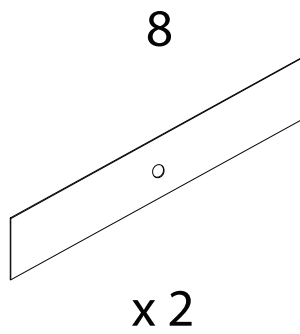
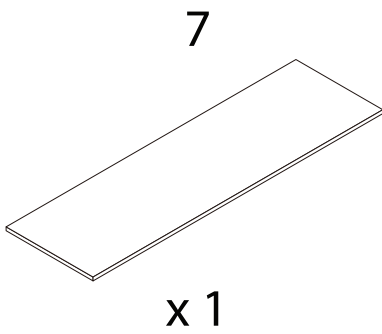
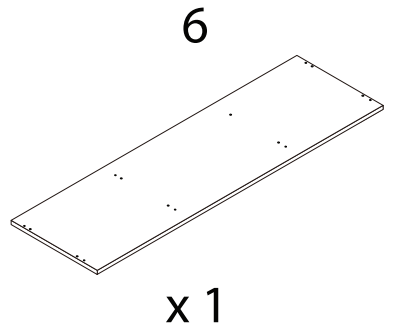
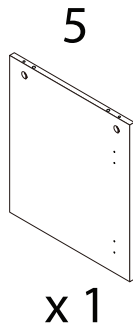
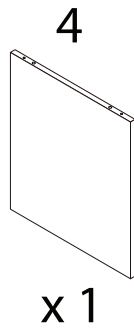
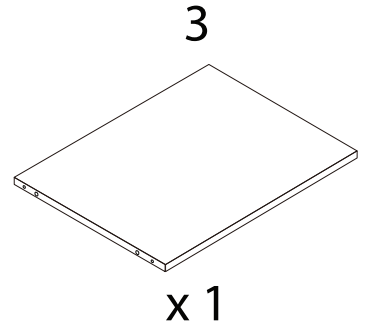
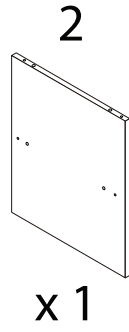
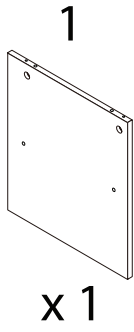


60'



2



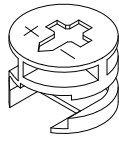


A



x 8

B



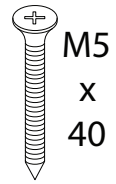
x 8

C



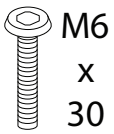
x 20

D



x 12

E



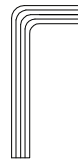
x 4

F



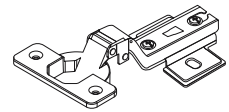
x 8

G



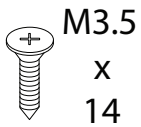
x 1

H



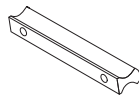
x 4

I



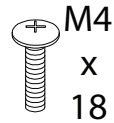
x 16

J1



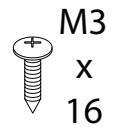
x 2

J2



x 4

K



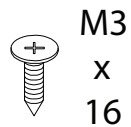
x 18

L1



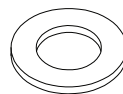
x 2

L2



x 2

L3



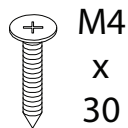
x 4

L4



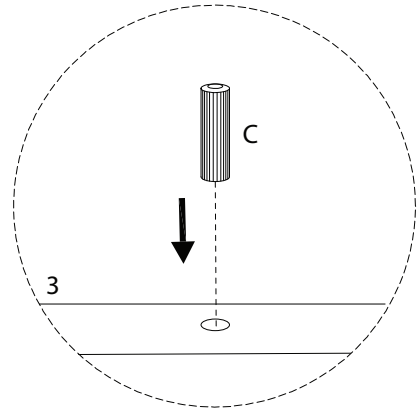
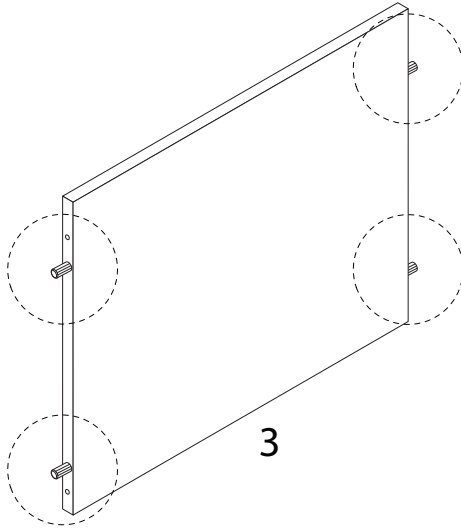
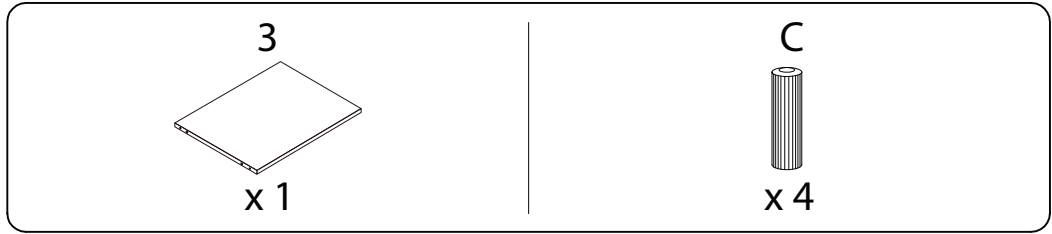
x 2

L5

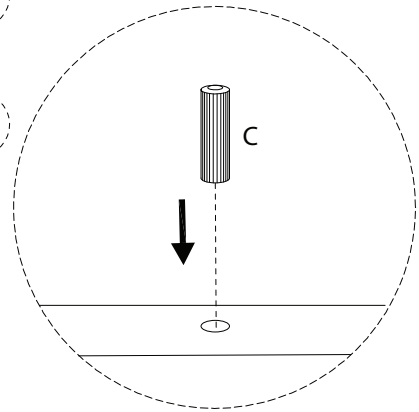
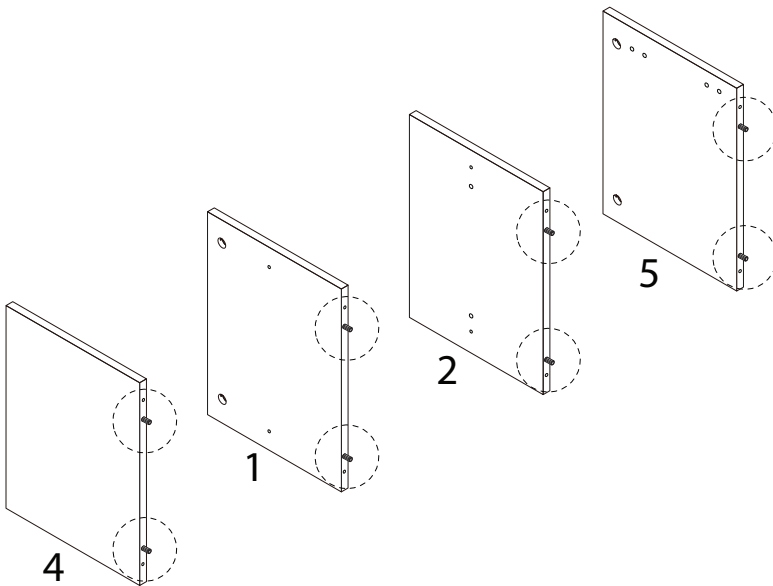
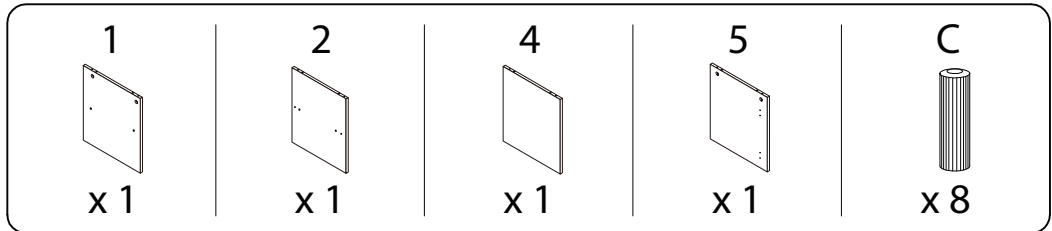


x 2

1

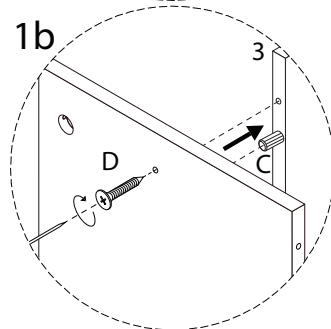
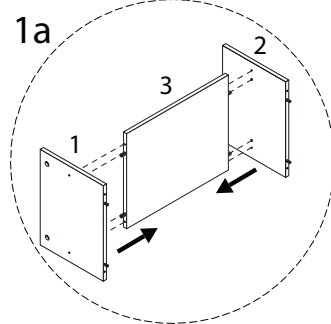
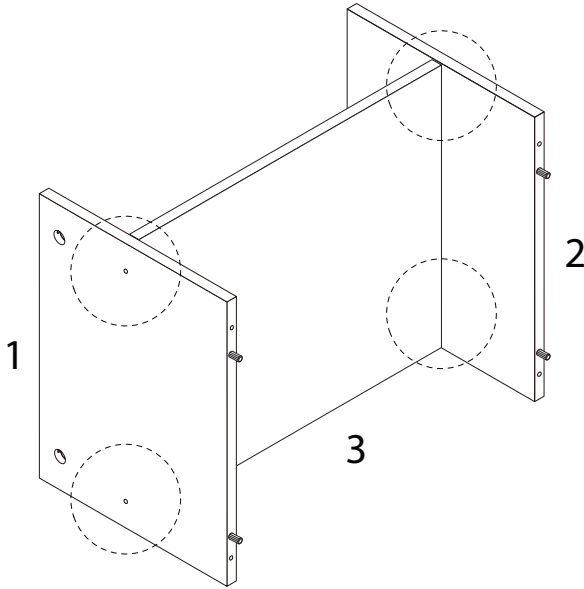


2

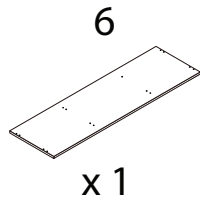


3

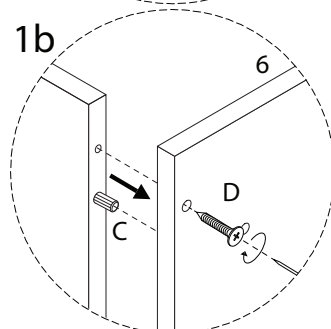
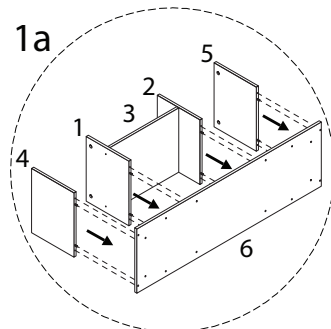
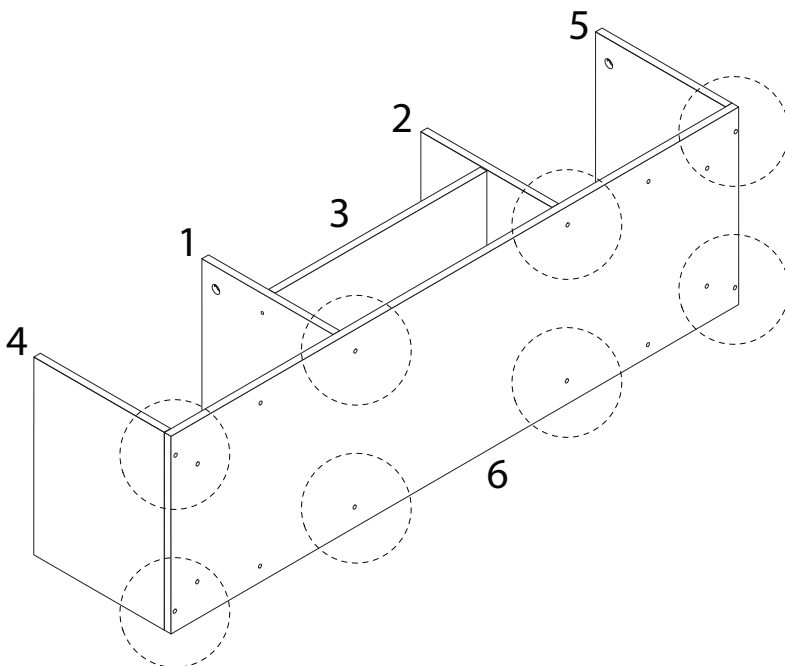
D
M5
x
40
x 4



4

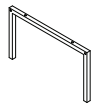


D
M5
x
40
x 8



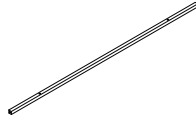
5

12



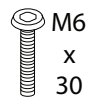
x 2

13



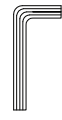
x 2

E

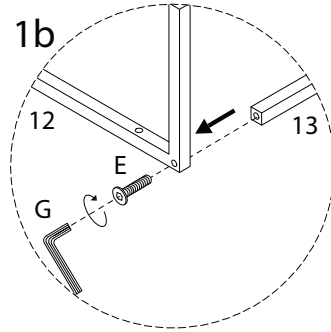
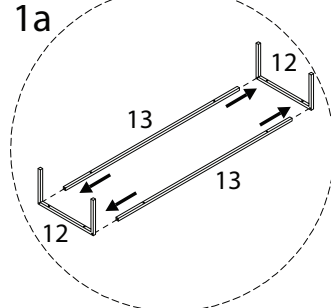
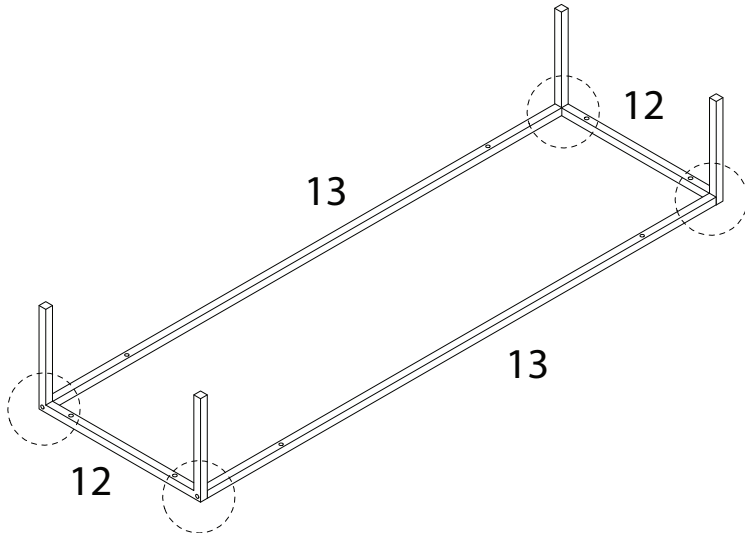


x 4

G



x 1



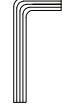
6

F

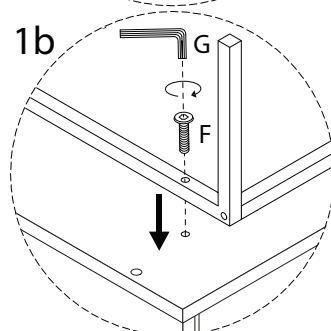
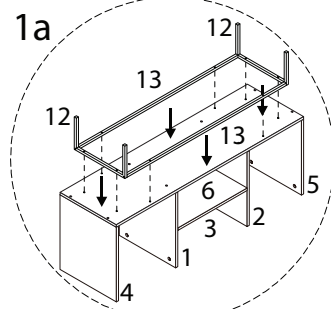
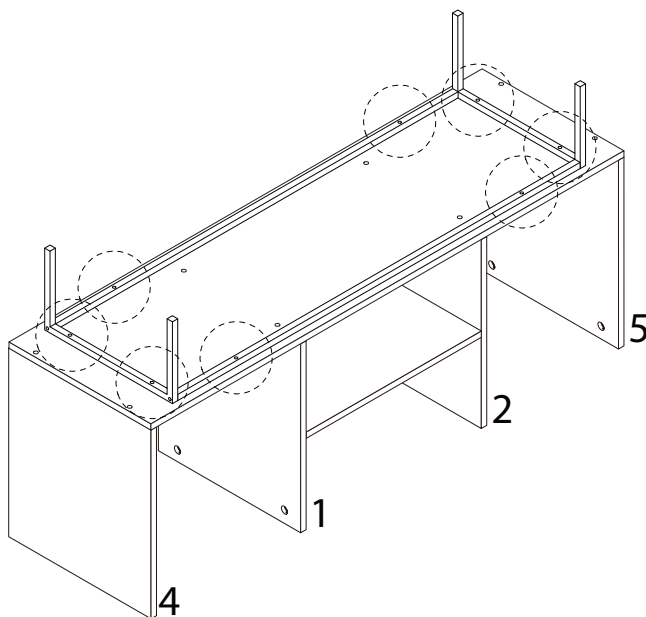


x 8

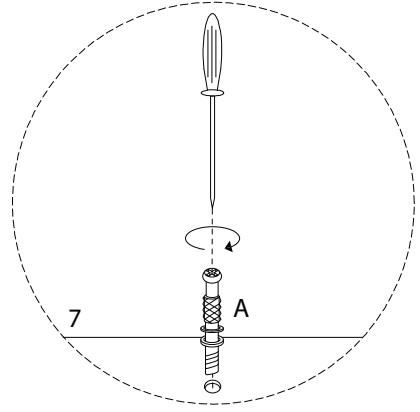
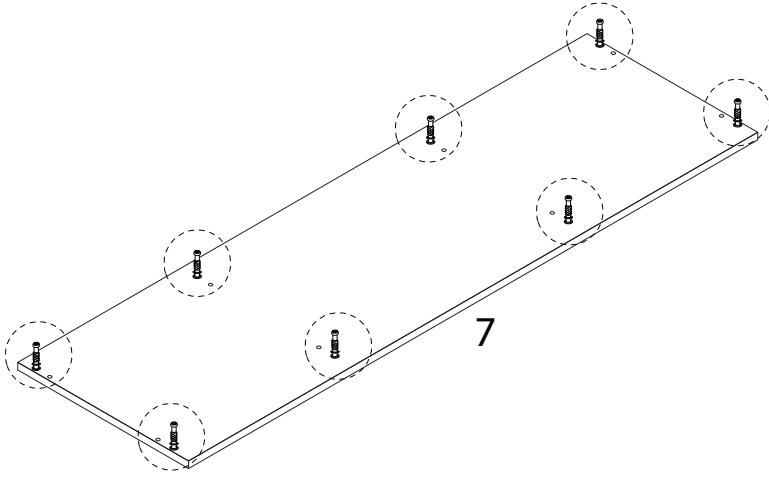
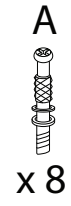
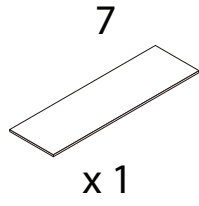
G



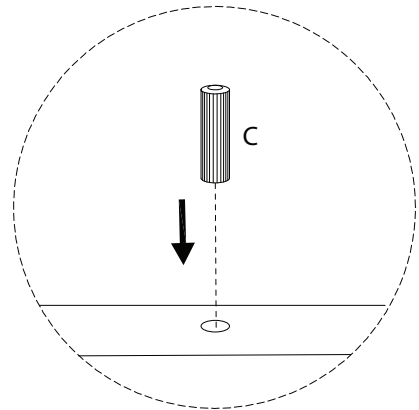
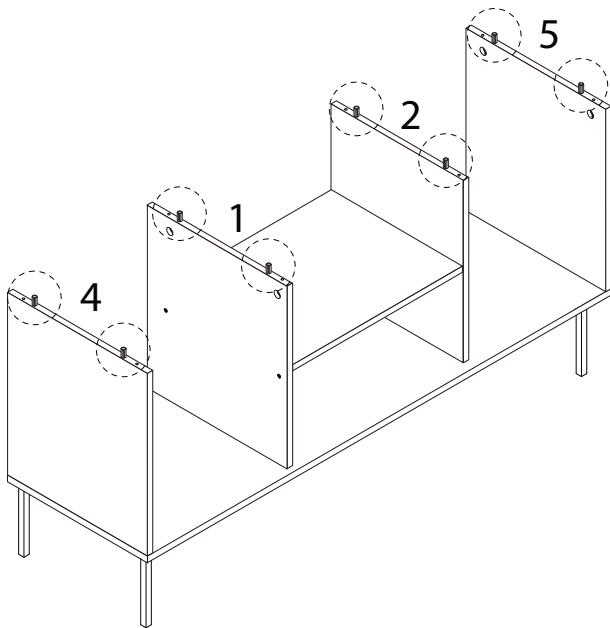
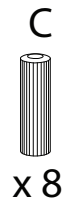
x 1



7



8

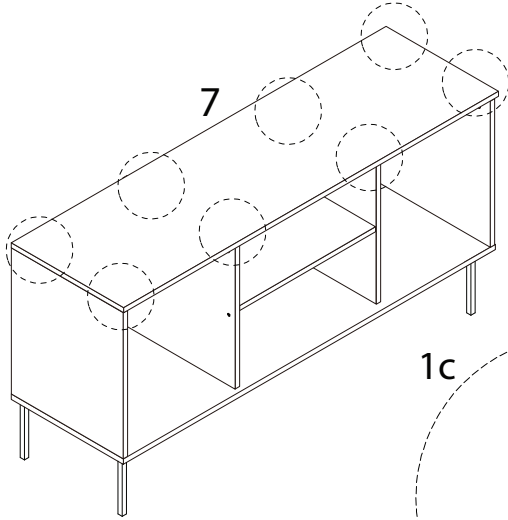


9

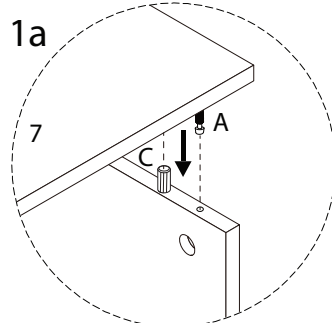
B



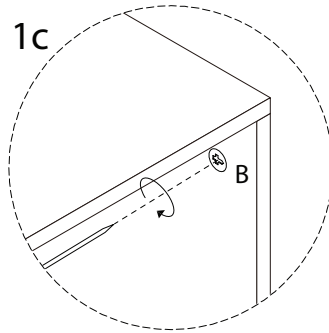
x 8



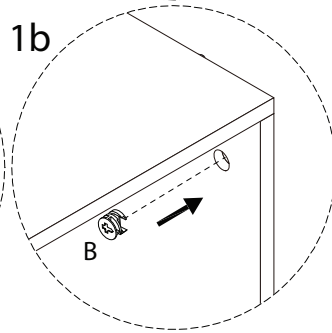
1a



1c

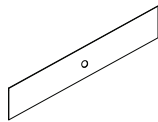


1b



10

8

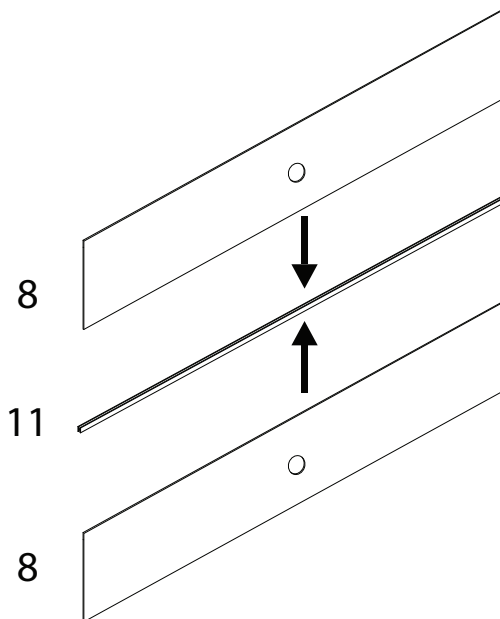


x 2

11



x 1

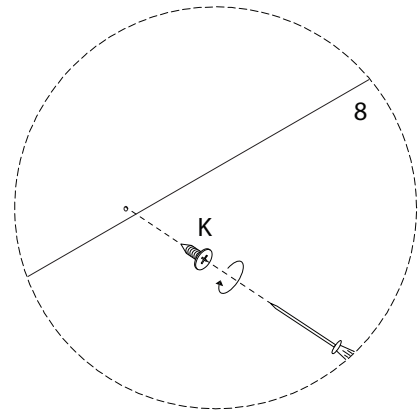
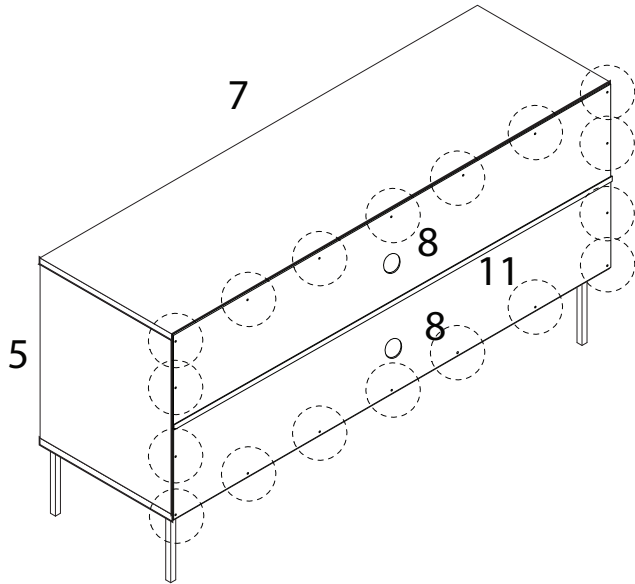


11

K

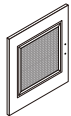


x 18



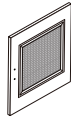
12

9



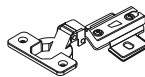
x 1

10



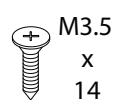
x 1

H

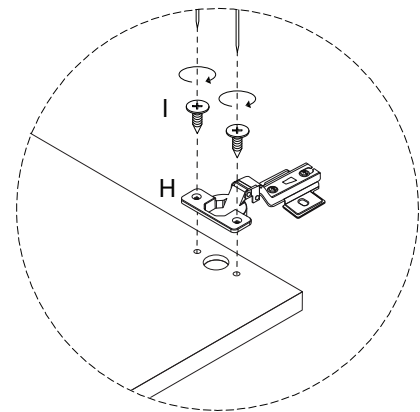
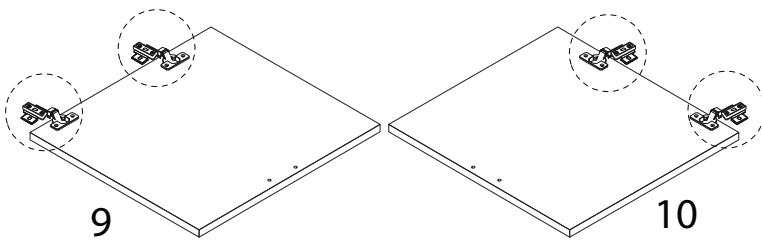


x 4

I

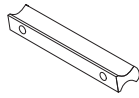


x 8



13

J1

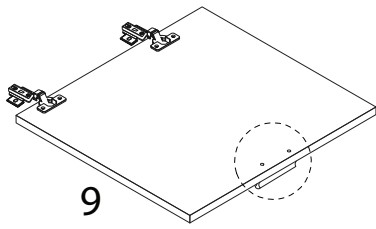


x 2

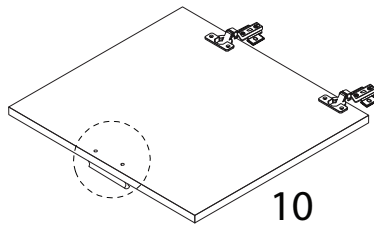
J2



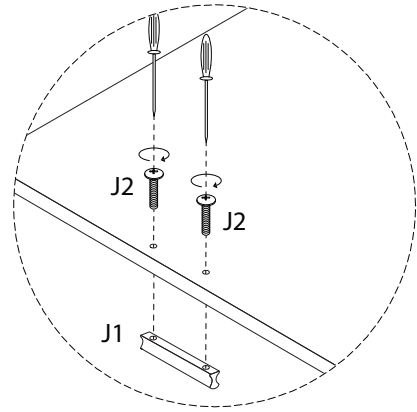
x 4



9

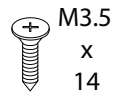


10

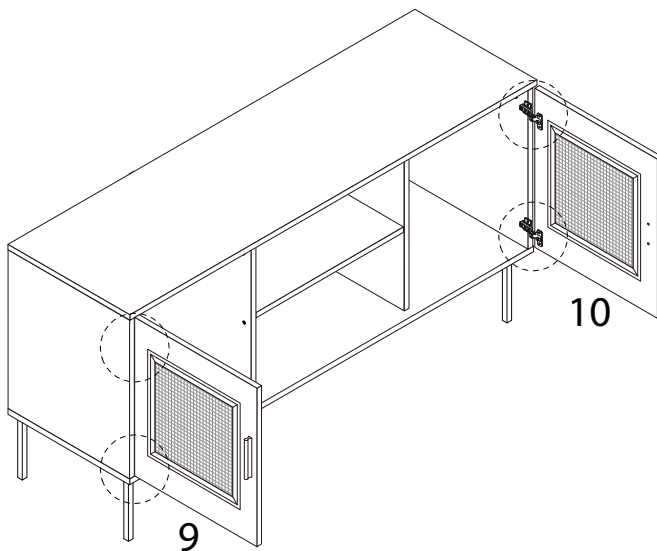


14

I

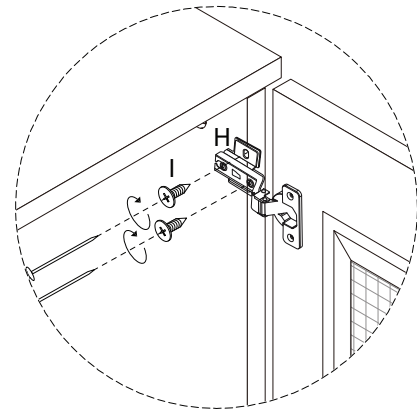


x 8





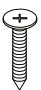


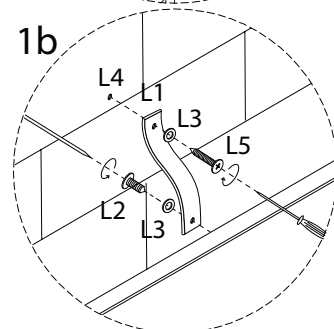
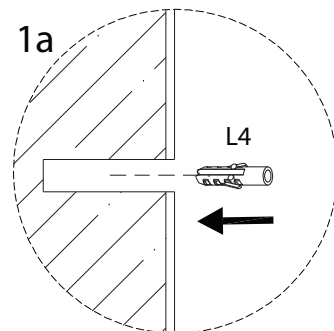
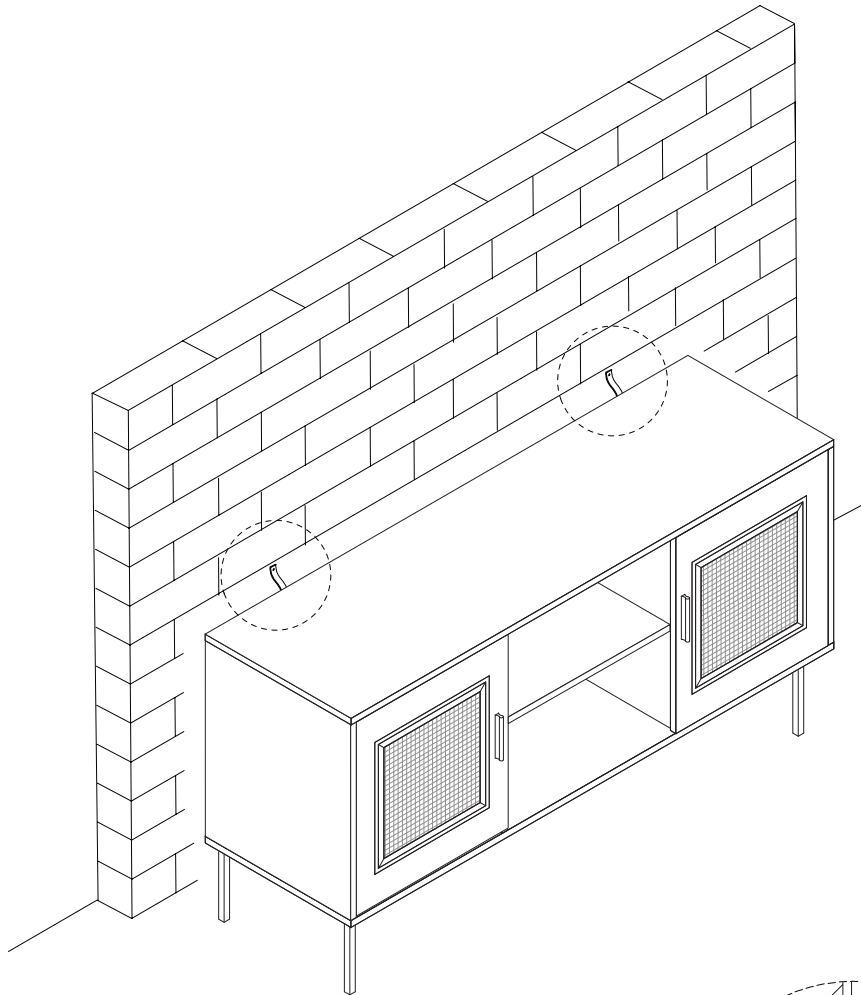
9

10



15

L1  x 2	L2  M3 x 16 x 2	L3  x 4	L4  x 2	L5  M4 x 30 x 2
--	--	--	--	--



16

