

EN



Before You Start

- ⚠ Please read all instructions carefully.
- ⚠ Retain instructions for future reference.
- ⚠ Separate and count all parts and hardware.
- ⚠ Read through each step carefully and follow the proper order.
- ⚠ We recommend that, where possible, all items are assembled near to the area in which they will be placed in use, to avoid moving the product unnecessarily once assembled.
- ⚠ Always place the product on a flat, steady and stable surface.
- ⚠ Keep all small parts and packaging materials for this product away from babies and children as they potentially pose a serious choking hazard.

FR



Avant de Commencer

- ⚠ Veuillez lire attentivement toutes les instructions.
- ⚠ Conservez les instructions pour vous y référer ultérieurement.
- ⚠ Vérifiez toutes les pièces et les accessoires.
- ⚠ Lisez attentivement chaque étape et suivez l'ordre correct.
- ⚠ Nous recommandons que, dans la mesure du possible, tous les produits soient assemblés à proximité de la zone où ils seront utilisés, afin d'éviter tout déplacement inutile du produit une fois assemblé.
- ⚠ Placez toujours le produit sur une surface plane et stable.
- ⚠ Conservez toutes les petites pièces de ce produit et les matériaux d'emballage hors de portée des bébés et des enfants, car ils pourraient présenter un risque d'étouffement.

EN

- **Before connecting the appliance to the power supply, let the unit stand upright for 24 hours, which will reduce the possibility of the cooling system malfunctioning due to improper handling and moving during transportation and installation.**

- **Clean your unit thoroughly before putting into use. (See “How to Clean”)**

TIPS FOR ENERGY SAVINGS

- Keep the refrigerator doors closed as much as possible, particularly in warm/humid conditions.
- Maintain adequate ventilation around the back and sides of the unit. This unit can either be built-in installation or stand alone, when built-in installation, do not let the unit back touch the wall tightly.
- Allow warm food to cool to room temperature before placing in the refrigerator.
- Do not obstruct the front hot air outlet frame.

IMPORTANT SAFETY INSTRUCTIONS

When using any electrical appliance, basic safety precaution must be followed in order to reduce the risk of fire, electrical shock, and/or injury to person or property. Before you use your refrigerator, please read this owner's manual carefully and observe the following safety tips.

Use this appliance only for its intended purpose as described in this owner's manual.

DANGER: Risk of child entrapment. Before you throw away your old refrigerator or freezer:

- Take off the doors.
- Leave the shelves in place so that children may not easily climb inside.
- The appliance must be correctly installed and connected to the power supply in accordance with the installation instructions before it is used. (See: "HOW TO INSTALL").

WARNING: Keep clear of obstructions to all ventilation openings in the appliance enclosure or in the built-in structure.

WARNING: Do not use mechanical devices or other means to accelerate the defrosting process, other than those recommended by the manufacturer.

WARNING: Do not damage the refrigerant circuit.

WARNING: Do not use electrical appliances inside the food storage compartments of the appliance, unless they are of the type recommended by the manufacturer.

• This appliance is intended to be used in household and similar applications such as

-staff kitchen areas in shops, offices and other environments;

-farm houses and by clients in hotels, motels and other residential types of environments; -bed and breakfast type environments;

-catering and similar non-retail applications.

• Do not store explosive substances such as aerosol cans with a flammable propellant in this appliance.

The main power supply must be properly grounded. Never to remove the ground prong from the plug and never use the two-prong adapter.

Do not run cord over carpeting or other heat insulators. Do not cover the cord. Keep cord away from traffic areas, and do not submerge in water.

WARNING: If the supply cord is damaged, it must be replaced by the manufacturer or its service agent or a similarly qualified person in order to avoid a hazard. Repair or replace immediately all electric service cords that have become frayed or otherwise damaged. Do not use a cord that shows cracks or abrasion damage along its length, the plug or the connector end.

• This refrigerator must be positioned so that the plug is accessible. Never unplug you unit often by pulling on the power cord. Always grasp the plug firmly and pull straight out from the outlet.

• Do not use an extension cord as this can negatively affect the performance of the unit. If you must use an extension cord, use 18AWG minimum size and rated no less than 1875 watts.

• When transporting the refrigerator, keep the unit in the upright position.
• Do not tilt the appliance beyond 45° or place the unit in upside down position. Do not tip over.

• Do not touch the cooled surfaces while the appliance operates, especially not with wet hands, because the skin may stick to the cold surfaces.

- It is recommended that the refrigerator is positioned away from any combustible sources such as gas, petrol, alcohol, lacquer and banana oil, etc. The aforementioned objects should not be stored in the refrigerator under any circumstances.

- If the unit fails to cool properly, dispose of spoiled food as needed.
- Unplug your unit first before cleaning or before making any repairs.

NOTE: If for any reason this product requires service, we strongly recommend that a certified technician perform the service.

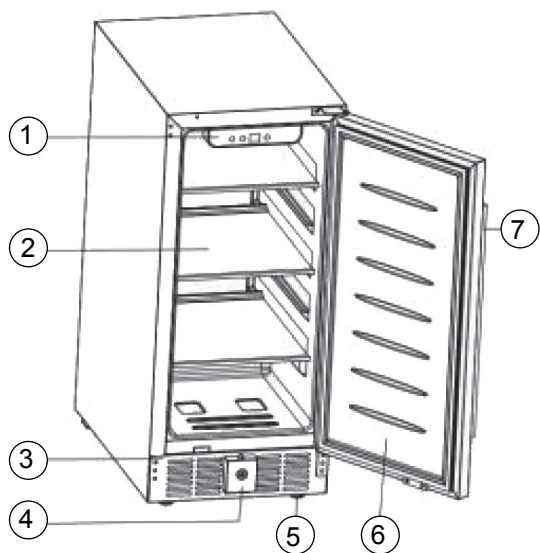
- Do not defrost the appliance with other electric devices (hair dryer etc.) and never scrape the ice or frost layer with sharp tools. Warning: Do not damage the refrigerant circuit.
- The rating plate is inside the appliance or outside on the rear or side wall.
- This appliance is not intended for use by persons (including children) with reduced physical, sensory or mental capabilities, or lack of experience and knowledge, unless they have been given supervision or instruction concerning use of the appliance by a person responsible for their safety. Children should be supervised to ensure that they do not play with the appliance.
- Please dispose of the appliance according to local regulations as the appliance contains flammable gas and refrigerant.
- Follow local regulations regarding disposal of the appliance due to flammable refrigerant and gas. All refrigeration products contain refrigerants, which under the guidelines of federal law must be removed before disposal. It is the consumer's responsibility to comply with federal and local regulations when disposing of this product.
- Do not operate your refrigerator in the presence of explosive fumes.
- **WARNING**--Do not use the flame or catch the fire near the unit.



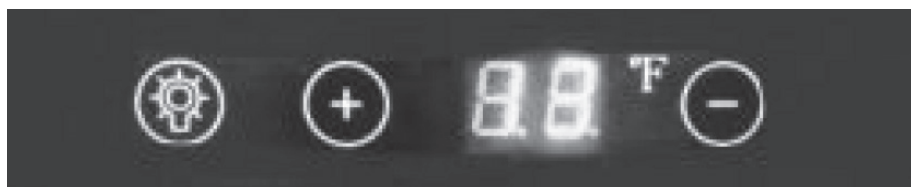
Safety instructions for refrigerant

- **DANGER**-Risk of Fire or Explosion. **FLAMMABLE REFRIGERANT** Used. Do Not Use Mechanical Device To Defrost Refrigerator. Do Not Puncture Refrigerant Tubing
- **DANGER**-Risk of Fire or Explosion. **FLAMMABLE REFRIGERANT** Used. To Be Repaired Only By Trained Service Personnel. Do Not Puncture Refrigerant Tubing.
- **CAUTION** – Risk Of Fire Or Explosion. **FLAMMABLE REFRIGERANT** Used. Consult Repair Manual/Owner's Guide Before Attempting To Service This Product. All Safety Precautions Must be Followed.
- **CAUTION**--Risk of Fire or Explosion. Dispose Of Property In Accordance With Federal Or Local Regulations. Flammable Refrigerant Used.
- **CAUTION** – Risk Of Fire Or Explosion Due To Puncture Of Refrigerant Tubing; Follow Handling Instructions Carefully. **FLAMMABLE REFRIGERANT** Used.

NAME OF THE PARTS



(1) Operation Panel:



(2) Removable Food Shelf

(3) Hot Air outlet frame

(4) Door lock (Optional)

(5) Height adjustable feet

(6) Door

(7) Door Handle(Need to be assembled by yourself)

SPECIFICATIONS

Product Description	Compact Refrigerator		
Model No.	FP10227US		
Capacity	82 L/2.9 Cu.Ft.		
Electrical Rating	115V~/60Hz/0.9 A		
Refrigerant	R600a, 0.67 Oz/19 g		
Unit Dimensions With Feet (Inches)	Width	Depth(With handle)	Height
	15.0"(380mm)	22.5"(572mm)	33.8"(860mm)
Net Weight (lbs)	57.80lbs		

HOW TO OPERATE

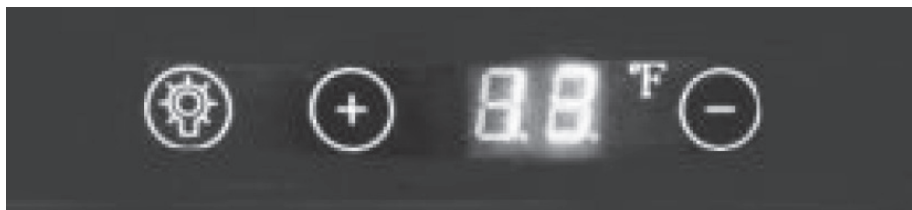
Starting Your New Refrigerator

Important: If the unit is brought in from outside in the winter season, give it a few hours to warm up to room temperature before plugging it in.

And also after transportation and moving of the unit, please wait for a least 24 hours then to plug on the unit.

1. Remove the packaging material.
2. Clean the unit thoroughly. Wipe the outside with a soft dry cloth, the interior with a clean moist cloth.
3. Connect the power cord to a standard wall outlet, you will hear a beep, which is normal. And the display on the control panel will revert to actual internal temperature.
4. Do not put food into the unit within two hours after the power is on.

Operation Button Panel



There are three buttons and temperature display window on the control panel, let you operate your unit and reach your desired running way.



Temperature Adjustment


Press two buttons “+” & “-” to adjust the set temperature to your desired value. Each pressing, the temperature will change 1 Fahrenheit.

Setting Range: 32-50 Fahrenheit. The default setting is 39 Fahrenheit.

Interior Light Control

The unit has built-in with the LED light in the cooling compartment. The internal LED light is controlled

by the magnetic door switch and the light button “” on the control panel. Normally, when you open the door, The LED light will be on, again close the door, the LED light will be off at once. But if you press the “” button for more than 3 seconds, it will cut the supply power to the LED light,

opening or closing the door will not activate the LED light. Only pressing the “” button for more than 3 seconds again to cancel this lock, will the LED light recover to be on or off with the door opening and closing.

Note: Wait 3-5 minutes before restarting if you unplug the refrigerator.
The unit may fail to operate properly if restarted too quickly.

HOW TO CLEAN

Cleaners: Never use harsh, abrasive cleaners, heavy-duty cleaners, or solvents on any surface.

Exterior: Wipe with a damp, sudsy cloth, rinse and dry. For stubborn stains and for periodic waxing, use silicon wax.

Refrigeration Section: Wash shelves and other removable parts in warm sudsy water, rinse and dry. Wash interior with baking soda solution (3 tablespoons to 1 liter of water) or warm sudsy water, rinse, and dry.

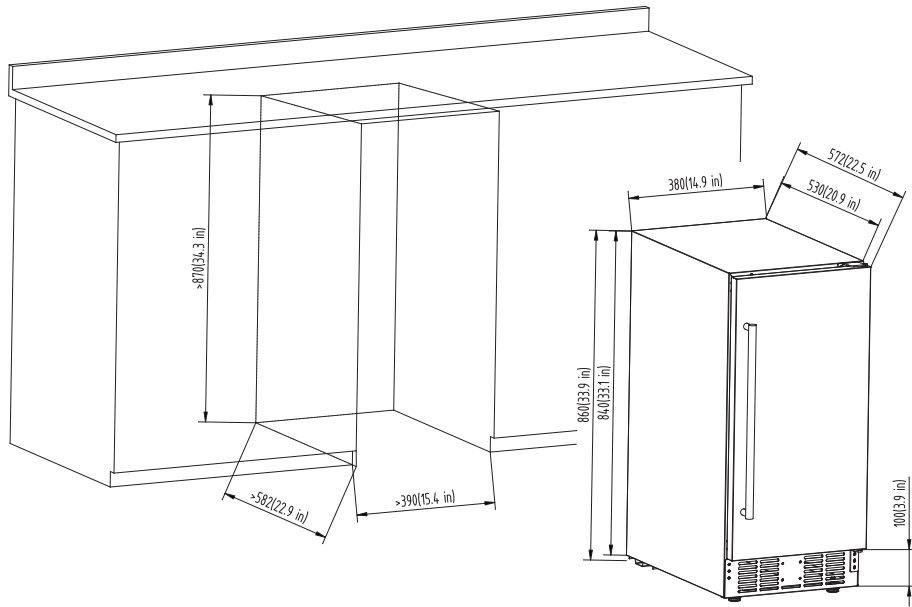
Magnetic Door Seals: Wash with warm sudsy water.

The Finishing Touch: Replace all parts and return thermostat dial to desired setting.

HOW TO INSTALL

This appliance can either stand alone or be built in. The front grille must be not obstructed.

- Install the unit in a convenient location away from extreme heat and cold. This unit should be far away from the heating source, such as stoves, heaters, or radiators, and is prevented from direct sunlight. Allow sufficient clearance between the unit and sidewall so the door will open without obstruction. This refrigerator is designed for recessed or built-in installation.
- Place the unit on a level surface that will be strong enough to support the unit when it is fully loaded. Not recommended for carpeting or other soft / uneven surfaces. To level your fridge, adjust the front feet located at the bottom of the unit.
- For under-counter built-in installation, please following the follow diagram, and leave the enough space for the unit.



For freestanding installation, suggest to allow 2 inches of space between the unit's side, rear and the wall. In addition, sufficient clearance (160°) should be maintained to allow the door to open properly and completely.

- The appliance must be correctly connected to the power supply, 115V/60Hz, certainly grounded.

The refrigerator is not designed to be installed in an outside area such as a garage or a porch. Ambient temperatures of below 50° or above 90° will hinder the performance of the appliance.

CARE AND MAINTENANCE

- * The refrigerator should be cleaned on a regular basis. (See: "HOW TO CLEAN")
- * It is necessary to have an adequate ventilation space around the refrigerator in order to attain proper performance, dissipation of heat, maintain efficiency, and low power consumption. Clearance of minimum 2 inches should be maintained at the rear and sides of the unit. And especially do not obstruct the front hot air outlet frame. (See: "HOW TO INSTALL")
- * To attain proper performance, be sure to plug the appliance into a properly grounded 115/60 Hz outlet.
- * Do not modify the power cord under any circumstance to allow the unit to be plugged into a non-grounded outlet. To avoid heat damage to the power cord, please ensure that it does not come in proximity or in direct contact with the compressor of the refrigerator.
- * Please avoid installing the refrigerator in a location where the appliance will come in contact with water or moisture to minimize rusting of metal parts.
- * The refrigerator should not be installed near any heat source or in a location where it will come in direct contact with the sunlight.
- * The components, if need to be replaced, should be replaced with like components, and should be replaced by the manufacturer or its service agent or a similarly qualified person in order to avoid a hazard and to minimize the risk of possible ignition and also to decrease the cooling performance due to incorrect parts or improper service.

TROUBLESHOOTING GUIDE

WHAT TO DO

When the fridge is not in use for a prolonged period:

- Remove the plug from the outlet.
- Remove all contents from the fridge.
- Dry the interior and leave the door open for a few days.

When the refrigerator does not work:

- Check if there is a power failure.
- Check if the power plug is plugged into the power outlet.
- Check that the fuse has not blown in main supply circuit.

When you wish to move the fridge:

- Secure all movable parts and contents. (Package them separately if necessary.)
- Transport the fridge only in an upright position. In any other position, you may damage the compressor.

Before calling service, please follow the checklist below.
This may save you an expensive service call.

If the refrigerator seems too warm inside:

- Check to see that the door is closing properly and the door seal is not damaged.
- Check that the interior circulation is not obstructed by having too many goods stored. (The fridge is overloaded)
- Did you store anything hot, without first cooling it to room temperature?
- Is there sufficient clearance around all sides and above the fridge?
Do anything obstruct the front hot air outlet frame?

When the refrigerator is cooling excessively:

- The set temperature digit may be set too high
- If you place food sorts which contain a lot of moisture directly under the cool outlets, they will freeze easily. This does not indicate a unit malfunction.

When the defrosting water overflows inside the refrigerator and onto the floor:

- Check that the drain pipe and the drain hose are not clogged.
- Check that the drain pan is housed properly.

When condensation forms on the outside of the refrigerator:

- Condensation may form on the outside when the humidity level is high such as during a wet season. This is the same result as the condensation formed when chilled water is poured into a glass. It does not, therefore, indicate a failure, wipe dry with a dry cloth.

If the fridge starts making any unusual noises:

- Is it wobbling? Re-level it and check if it now operates normally. Have any objects fallen behind the fridge? If so, remove them and check if operation is now normal.
Are any containers inside the fridge vibrating or resonating? If so, rearrange them then check to see if operation has returned to normal.

- Avant de connecter l'appareil à l'alimentation électrique, laissez l'appareil se tenir debout pendant 24 heures, ce qui réduira les risques de dysfonctionnement du système de refroidissement en raison d'une manipulation et d'un déplacement incorrects pendant le transport et l'installation.
- Nettoyez soigneusement votre appareil avant de le mettre en service. (Voir "Comment nettoyer")

CONSEILS POUR ÉCONOMISER L'ÉNERGIE

- Gardez les portes du réfrigérateur fermées autant que possible, en particulier dans des conditions chaudes/humides.
- Maintenez une ventilation adéquate à l'arrière et sur les côtés de l'appareil. Cette unité peut être une installation intégrée ou autonome, lors de l'installation intégrée, ne laissez pas l'unité toucher le mur fermement.
- Laissez les aliments chauds refroidir à température ambiante avant de les placer au réfrigérateur.
- Ne pas obstruer le cadre de sortie d'air chaud avant.

CONSIGNES DE SÉCURITÉ IMPORTANTES

Lors de l'utilisation d'un appareil électrique, des précautions de sécurité de base doivent être suivies afin de réduire les risques d'incendie, de choc électrique et/ou de blessures aux personnes ou aux biens. Avant d'utiliser votre réfrigérateur, veuillez lire attentivement ce manuel du propriétaire et observer les conseils de sécurité suivants.

Utilisez cet appareil uniquement pour l'usage auquel il est destiné, comme décrit dans ce manuel du propriétaire.

DANGER: Risque de piégeage de l'enfant. Avant de jeter votre ancien réfrigérateur ou congélateur:

- Enlève les portes.
- Laissez les étagères en place afin que les enfants ne puissent pas grimper facilement à l'intérieur.
- L'appareil doit être correctement installé et connecté à l'alimentation électrique conformément aux instructions d'installation avant son utilisation. (Voir: "COMMENT INSTALLER").

AVERTISSEMENT: Ne pas obstruer toutes les ouvertures de ventilation dans l'enceinte de l'appareil ou dans la structure intégrée.

AVERTISSEMENT: N'utilisez pas d'appareils mécaniques ou d'autres moyens pour accélérer le processus de dégivrage, autres que ceux recommandés par le fabricant.

AVERTISSEMENT: Ne pas endommager le circuit de réfrigérant.

AVERTISSEMENT: N'utilisez pas d'appareils électriques à l'intérieur des compartiments de stockage des aliments de l'appareil, à moins qu'ils ne soient du type recommandé par le fabricant.

- Cet appareil est destiné à être utilisé dans des applications domestiques et similaires telles que

-espaces cuisine du personnel dans les magasins, bureaux et autres environnements;

-maisons de ferme et par les clients dans les hôtels, motels et autres environnements de type résidentiel; - environnements de type chambres d'hôtes;

-restauration et applications similaires non commerciales.

- Ne stockez pas de substances explosives telles que des bombes aérosols contenant un propulseur inflammable dans cet appareil.

- L'alimentation principale doit être correctement mise à la terre. Ne jamais retirer la broche de terre de la fiche et ne jamais utiliser l'adaptateur à deux broches.

- Ne faites pas passer le cordon sur de la moquette ou d'autres isolants thermiques. Ne couvrez pas le cordon. Éloignez le cordon des zones de circulation et ne le plongez pas dans l'eau.

AVERTISSEMENT: Si le cordon d'alimentation est endommagé, il doit être remplacé par le fabricant ou son agent de service ou une personne qualifiée similaire afin d'éviter tout danger. Réparez ou remplacez immédiatement tous les cordons de service électriques qui se sont effilochés ou autrement endommagés. N'utilisez pas de cordon présentant des fissures ou des dommages dus à l'abrasion sur toute sa longueur, la fiche ou l'extrémité du connecteur.

- Ce réfrigérateur doit être positionné de manière à ce que la fiche soit accessible. Ne débranchez jamais votre appareil souvent en tirant sur le cordon d'alimentation. Saisissez toujours fermement la fiche et retirez-la tout droit de la prise.

- N'utilisez pas de rallonge car cela pourrait nuire aux performances de l'appareil. Si vous devez utiliser une rallonge, utilisez une taille minimale de 18AWG et une puissance nominale d'au moins 1875 watts.

- Lorsque vous transportez le réfrigérateur, maintenez l'appareil en position verticale. N'inclinez pas l'appareil au-delà de 45° et ne placez pas l'appareil à l'envers. Ne pas basculer.

- Ne touchez pas les surfaces refroidies pendant le fonctionnement de l'appareil, surtout pas avec les mains mouillées, car la peau pourrait adhérer aux surfaces froides.

- Il est recommandé de placer le réfrigérateur à l'écart de toute source combustible telle que gaz, essence, alcool, laque et huile de banane, etc. Les objets susmentionnés ne doivent en aucun cas être conservés au réfrigérateur.

- Si l'appareil ne refroidit pas correctement, jetez les aliments avariés au besoin.

- Débranchez d'abord votre appareil avant de le nettoyer ou d'effectuer des réparations.

REMARQUE: Si, pour une raison quelconque, ce produit nécessite un entretien, nous recommandons fortement qu'un technicien certifié effectue l'entretien.

- Ne dégivrez pas l'appareil avec d'autres appareils électriques (sèche-cheveux, etc.) et ne jamais gratter la couche de glace ou de givre avec des outils tranchants. Avertissement: Ne pas endommager le circuit de réfrigérant.

- La plaque signalétique se trouve à l'intérieur de l'appareil ou à l'extérieur sur la paroi arrière ou latérale.

- Cet appareil n'est pas destiné à être utilisé par des personnes (y compris des enfants) ayant des capacités physiques, sensorielles ou mentales réduites, ou un manque d'expérience et de connaissances, à moins qu'elles n'aient reçu une supervision ou des instructions concernant l'utilisation de l'appareil par une personne responsable de leur sécurité. Les enfants doivent être surveillés pour s'assurer qu'ils ne jouent pas avec l'appareil.

- Veuillez vous débarrasser de l'appareil conformément aux réglementations locales car l'appareil contient des gaz inflammables et du réfrigérant.

- Suivez les réglementations locales concernant l'élimination de l'appareil en raison de réfrigérants et de gaz inflammables. Tous les produits de réfrigération contiennent des réfrigérants qui, selon les directives de la loi fédérale, doivent être retirés avant d'être éliminés. Il est de la responsabilité du consommateur de se conformer aux réglementations fédérales et locales lors de l'élimination de ce produit.

- Ne faites pas fonctionner votre réfrigérateur en présence de vapeurs explosives.

- **AVERTISSEMENT--**N'utilisez pas la flamme et n'attrapez pas le feu près de l'appareil.



Consignes de sécurité pour le réfrigérant

DANGER-Risque d'incendie ou d'explosion. RÉFRIGÉRANT INFLAMMABLE Utilisé. N'Utilisez Pas De Dispositif Mécanique Pour Dégivrer Le Réfrigérateur. Ne Percez Pas Le Tuyau De Réfrigérant.

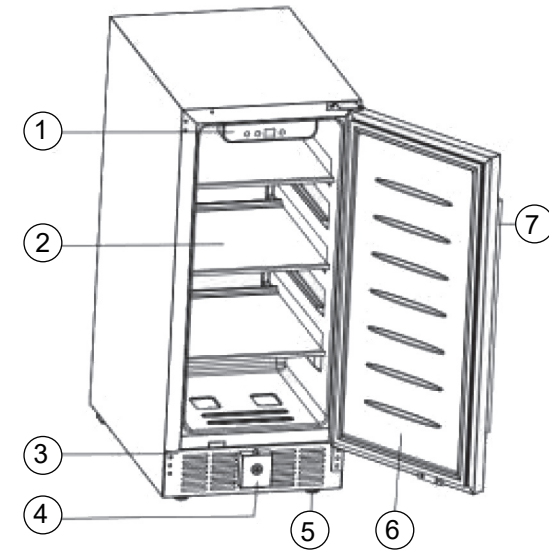
DANGER-Risque d'incendie ou d'explosion. RÉFRIGÉRANT INFLAMMABLE Utilisé. À Réparer Uniquement Par Du Personnel De Service Qualifié. Ne Percez Pas Le Tuyau De Réfrigérant.

ATTENTION-Risque D'Incendie Ou D'Explosion. RÉFRIGÉRANT INFLAMMABLE Utilisé. Consultez Le Manuel De Réparation / Guide Du Propriétaire Avant D'Essayer De Réparer Ce Produit. Toutes les Précautions de sécurité Doivent être suivies.

ATTENTION - Risque d'incendie ou d'explosion. Disposer Des Biens Conformément Aux Réglementations Fédérales Ou Locales. Réfrigérant Inflammable Utilisé.

ATTENTION-Risque D'Incendie Ou D'Explosion Dû À La Perforation Du Tuyau De Réfrigérant; Suivez Attentivement Les Instructions De Manipulation. RÉFRIGÉRANT INFLAMMABLE Utilisé.

NOM DES PIÈCES



Numéro de modèle: FP10227US

1)Panneau de commande



2)Étagère amovible pour aliments

3)Cadre de sortie d'air chaud

4)Serrure de porte (facultative)

5)Pieds réglables en hauteur

6)Porte

7)Poignée de porte(besoin d'être assemblée par vous-même)

SPÉCIFICATION

Description du Produit	Compact Refrigerator		
Numéro de modèle			
Capacité	82 L/2.9 Cu.Ft.		
Puissance électrique	115V~/60Hz/0.9 A		
Réfrigérant	R600a, 0.67 Oz/19 g		
Dimensions de l'unité avec pieds (pouces)	Largeur	Profondeur (avec poignée)	Hauteur
	15.0"(380mm)	22.5"(572mm)	33.8"(860mm)
Poids net (lbs)	57.80lbs		

COMMENT OPÉRER

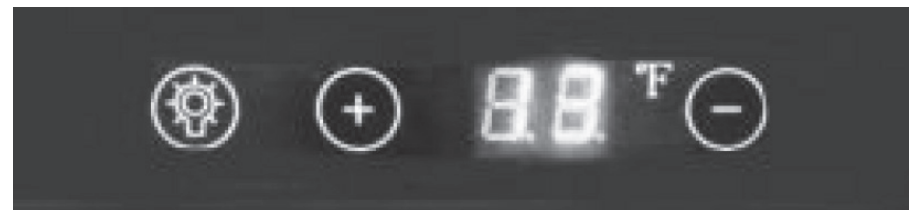
Démarrer votre nouveau réfrigérateur

Important : Si l'appareil est amené de l'extérieur en hiver, donnez-lui quelques heures pour le réchauffer à température ambiante avant de le brancher.

Et aussi après le transport et le déplacement de l'appareil, veuillez attendre au moins 24 heures puis brancher l'appareil.

1. Retirez le matériau d'emballage.
2. Nettoyez soigneusement l'appareil. Essayez l'extérieur avec un chiffon doux et sec, l'intérieur avec un chiffon propre et humide.
3. Connectez le cordon d'alimentation à une prise murale standard, vous entendrez un bip, ce qui est normal. Et l'affichage sur le panneau de commande reviendra à la température interne réelle.
4. Ne mettez pas de nourriture dans l'appareil dans les deux heures suivant la mise sous tension.

Panneau de commande



Il y a trois boutons et une fenêtre d'affichage de la température sur le panneau de commande, pour vous permettre d'utiliser votre appareil et d'atteindre le chemin de course souhaité.

Réglage de la température

Appuyez sur deux boutons & pour régler la température réglée à la valeur souhaitée. À chaque pression, la température changera de 1 Fahrenheit. Plage de réglage: 32-50 Fahrenheit. Le paramètre par défaut est 39 Fahrenheit.

Contrôle de l'éclairage intérieur

L'unité a intégré la lumière LED dans le compartiment de refroidissement. La lumière LED interne est contrôlée par l'interrupteur de porte magnétique et le bouton d'éclairage sur le panneau de commande. Normalement, lorsque vous ouvrez la porte, la lumière LED sera allumée, fermez à nouveau la porte, la lumière LED sera éteinte immédiatement. Mais si vous appuyez sur le bouton pendant plus de 3 secondes, cela coupera l'alimentation de la lumière LED, l'ouverture ou la fermeture de la porte n'activera pas la lumière LED. Appuyez seulement sur le bouton pendant plus de 3 secondes pour annuler cette serrure, la lumière LED se rétablira pour être allumée ou éteinte avec l'ouverture et la fermeture de la porte.

Remarque : Attendez 3 à 5 minutes avant de redémarrer si vous débranchez le réfrigérateur. L'unité peut ne pas fonctionner correctement si elle est redémarrée trop rapidement.

COMMENT NETTOYER

Nettoyants: N'utilisez jamais de nettoyants agressifs et abrasifs, de nettoyants puissants ou de solvants sur aucune surface.

Extérieur: Essuyez avec un chiffon humide et savonneux, rincer et sécher. Pour les taches tenaces et pour l'épilation périodique, utilisez de la cire de silicone.

Section réfrigération: Lavez les étagères et autres pièces amovibles à l'eau tiède savonneuse, rincer et sécher. Lavez l'intérieur avec une solution de bicarbonate de soude (3 cuillères à soupe pour 1 litre d'eau) ou de l'eau savonneuse tiède, rincer et sécher.

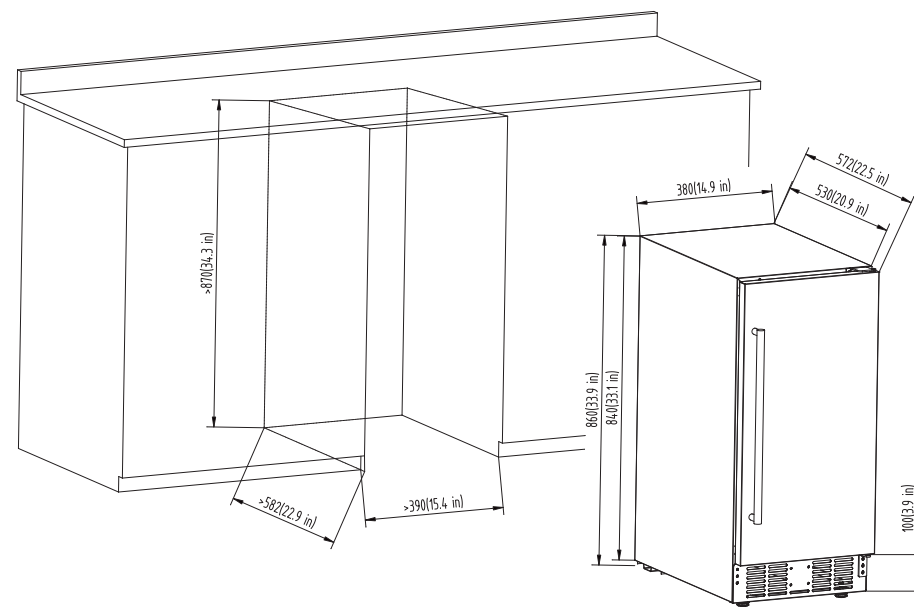
Joints de porte magnétiques: Lavez à l'eau tiède savonneuse.

La touche finale: Remplacez toutes les pièces et remettez le cadran du thermostat au réglage souhaité.

COMMENT INSTALLER

Cet appareil peut être sur pieds ou intégré. La grille avant ne doit pas être obstruée.

- Installez l'appareil dans un endroit pratique, à l'abri de la chaleur et du froid extrêmes. Cet appareil doit être éloigné de la source de chauffage, telle que les cuisinières, le chauffage ou les radiateurs, et ne doit pas être exposé à la lumière directe du soleil. Laissez un espace suffisant entre l'appareil et la paroi latérale pour que la porte s'ouvre sans obstruction. Ce réfrigérateur est conçu pour une installation encastrée.
- Placez l'appareil sur une surface plane suffisamment solide pour supporter l'appareil lorsqu'il est complètement chargé. Non recommandé pour la moquette ou d'autres surfaces molles / inégales.
- Pour niveler votre réfrigérateur, ajustez les pieds avant situés au bas de l'appareil.
- Pour une installation intégrée sous le comptoir, veuillez suivre le schéma suivant et laisser suffisamment d'espace pour l'appareil.



Pour une installation autoportant, suggérez de laisser 2 pouces d'espace entre le côté, l'arrière et le mur de l'appareil. De plus, un dégagement suffisant (160°) doit être maintenu pour permettre à la porte de s'ouvrir correctement et complètement.

L'appareil doit être correctement connecté à l'alimentation, 115V/60Hz, certainement mis à la terre.

Le réfrigérateur n'est pas conçu pour être installé dans un espace extérieur tel qu'un garage ou un porche. Des températures ambiantes inférieures à 50° ou supérieures à 90° entraveront les performances de l'appareil.

ENTRETIEN ET MAINTENANCE

* Le réfrigérateur doit être nettoyé régulièrement. (Voir: "COMMENT NETTOYER")

* Il est nécessaire d'avoir un espace de ventilation adéquat autour du réfrigérateur afin d'obtenir des performances appropriées, une dissipation de la chaleur, de maintenir l'efficacité et une faible consommation d'énergie. Un dégagement d'au moins 2 pouces doit être maintenu à l'arrière et sur les côtés de l'appareil. Et surtout n'obstruez pas le cadre de sortie d'air chaud avant. (Voir: "COMMENT INSTALLER")

* Pour obtenir des performances correctes, assurez-vous de brancher l'appareil sur une prise 115/60 Hz correctement mise à la terre.

* Ne modifiez en aucun cas le cordon d'alimentation pour permettre à l'appareil d'être branché sur une prise non mise à la terre. Pour éviter d'endommager le cordon d'alimentation par la chaleur, assurez-vous qu'il ne se trouve pas à proximité ou en contact direct avec le compresseur du réfrigérateur.

* Veuillez éviter d'installer le réfrigérateur dans un endroit où l'appareil entrera en contact avec de l'eau ou de l'humidité pour minimiser la rouille des pièces métalliques.

* Le réfrigérateur ne doit pas être installé à proximité d'une source de chaleur ou dans un endroit où il sera en contact direct avec la lumière du soleil.

* Les composants, s'ils doivent être remplacés, doivent être remplacés par des composants similaires, et doivent être remplacés par le fabricant ou son agent de service ou une personne qualifiée de manière similaire afin d'éviter un danger et de minimiser le risque d'inflammation possible et également de diminuer les performances de refroidissement en raison de pièces incorrectes ou d'un mauvais entretien.

GUIDE DE DÉPANNAGE QUE FAIRE ...

Lorsque le réfrigérateur n'est pas utilisé pendant une période prolongée :

- Retirez la fiche de la prise.
- Retirez tout le contenu du réfrigérateur.
- Séchez l'intérieur et laissez la porte ouverte pendant quelques jours.

Lorsque le réfrigérateur ne fonctionne pas :

- Vérifiez s'il y a une panne de courant .
- Vérifiez si la fiche d'alimentation est branchée sur la prise de courant.
- Vérifiez que le fusible n'a pas sauté dans le circuit d'alimentation principal.

Lorsque vous souhaitez déplacer le réfrigérateur :

- Sécurisez toutes les pièces mobiles et le contenu. (Emballez-les séparément si nécessaire.)
- Transportez le réfrigérateur uniquement en position verticale. Dans toute autre position, vous risquez d'endommager le compresseur.

Avant d'appeler le service, veuillez suivre la liste de contrôle ci-dessous. Cela peut vous éviter un appel de service coûteux.

Si le réfrigérateur semble trop chaud à l'intérieur:

- Vérifiez que la porte se ferme correctement et que le joint de la porte n'est pas endommagé.
- Vérifiez que la circulation intérieure n'est pas obstruée par un trop grand nombre de marchandises stockées. (Le réfrigérateur est surchargé)
- Avez-vous stocké quelque chose de chaud, sans d'abord le refroidir à température ambiante?
- Y a-t-il suffisamment de dégagement sur tous les côtés et au-dessus du réfrigérateur?
- Est-ce que quelque chose obstrue le cadre de sortie d'air chaud avant?

Lorsque le réfrigérateur refroidit excessivement:

- Le chiffre de température réglé peut être réglé trop haut
- Si vous placez des sortes d'aliments qui contiennent beaucoup d'humidité directement sous les sorties fraîches, ils gèleront facilement.
- Cela n'indique pas un dysfonctionnement de l'unité.

Lorsque l'eau de dégivrage déborde à l'intérieur du réfrigérateur et sur le sol:

- Vérifiez que le tuyau de vidange et le tuyau de vidange ne sont pas obstrués.
- Vérifiez que le bac de vidange est logé correctement.

Lorsque de la condensation se forme à l'extérieur du réfrigérateur:

- De la condensation peut se former à l'extérieur lorsque le taux d'humidité est élevé, par exemple pendant une saison humide. C'est le même résultat que la condensation formée lorsque de l'eau glacée est versée dans un verre. Il n'indique donc pas une défaillance, essuyez-le avec un chiffon sec.

Si le réfrigérateur commence à faire des bruits inhabituels:

- Est-ce qu'il vacille? Remettez-le à niveau et vérifiez s'il fonctionne maintenant normalement.
- Des objets sont-ils tombés derrière le réfrigérateur? Si c'est le cas, retirez-les et vérifiez si le fonctionnement est maintenant normal.
- Des récipients à l'intérieur du réfrigérateur vibrent-ils ou résonnent-ils? Si c'est le cas, réorganisez-les, puis vérifiez si le fonctionnement est revenu à la normale.

EN



Return / Damage Claim Instructions

- ⚠ **DO NOT discard the box / original packaging.**
In case a return is required, the item must be returned in original box. Without this your return will not be accepted.
- ⚠ **Take a photo of the box markings.**
A photo of the markings (text) on the side of the box is required in case a part is needed for replacement. This helps our staff identify your product number to ensure you receive the correct parts.
- ⚠ **Take a photo of the damaged part (if applicable).**
A photo of the damage is always required to file a claim and get your replacement or refund processed quickly. Please make sure you have the box even if it is damaged.
- ⚠ **Send us an email with the images requested.**
Email us directly from marketplace where your item was purchased with the attached images and a description of your claim.

FR



Instructions De Retour / Réclamation De Dommages

- ⚠ **NE PAS jeter la boîte/l'emballage d'origine.**
Dans le cas où un retour est requis, l'article doit être retourné dans sa boîte d'origine. Sans cela, votre retour ne sera pas accepté.
- ⚠ **Prenez une photo des marquages de la boîte.**
Une photo des marquages (texte) sur le côté de la boîte est requise au cas où une pièce serait nécessaire pour le remplacement. Cela aide notre personnel à identifier votre numéro de produit pour s'assurer que vous recevez les bonnes pièces.
- ⚠ **Prenez une photo des dommages (le cas échéant).**
Une photo des dommages est toujours requise pour déposer une réclamation et obtenir rapidement votre remplacement ou votre remboursement. Assurez-vous d'avoir la boîte même si elle est endommagée.
- ⚠ **Envoyez-nous un e-mail avec les images demandées.**
Envoyez-nous un e-mail directement depuis le marché où votre article a été acheté avec les images ci-jointes et une description de votre réclamation.