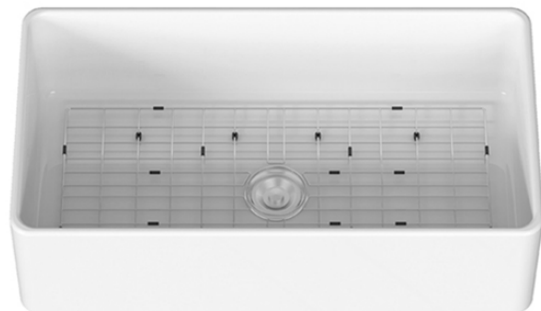
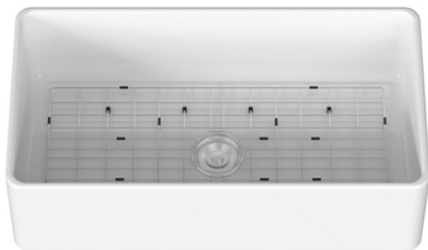


# MOHOME

## MOHOME

Fireclay Farmhouse  
Kitchen Sinks

Installation Instruction



# PRE-INSTALLATION & CARE MANUAL

## Farmhouse Style Sink

Crafted of durable materials, Farmhouse Sink is inspired by a vintage farmhouse sink that creates a distinctive look for any kitchen. With extra-deep basins for hiding dishes and an antibacterial surface that requires minimal cleaning, their timeless look will enhance any kitchen. Both beautiful and sturdy, Sink is handcrafted and made of a unique clay capable of being fired at extremely high temperatures (above 2200 °C), making them lustrous with a resilient surface that is shock-resistant and will withstand heavy use over time. Our sink is scratched, stained, and chip-resistant, and it will not rust, fade or discolor, providing beauty and durability.

Pre-Installation: recommends that a professional installer be used. The sink may have slight variations in dimensions due to the firing process and the fact that each sink is handmade. Be sure to provide enough counter space for the faucet, water supply lines, and drain assembly garbage disposal, we strongly recommend **NOT TO OVER TIGHTEN** when attaching to the sink. All installation procedures must comply in strict accordance with applicable local plumbing and building code.

## CARE & MAINTENANCE

Our search for excellence gave us the opportunity to create a product that would sustain many years of use in your kitchen. We know that from time to time accidents may occur. Our sink's unique properties give our glaze a great resistance to impact and scratches, while still allowing for easy removal of most hard stains, such as tea, coffee, or red wine.

We strongly recommend **NOT TO USE** harsh abrasives, such as scouring liquids or powder, highly-concentrated drain cleaners, caustic cleaners containing alkalis, cleaners for tap fittings and steel, scouring pads, steel wool, paint removers, oven cleaners, or aggressive chemical solutions to clean sink surfaces.

To avoid scratching, do not use highly aggressive cleaners such as scouring liquids and powders or drain cleaners. To avoid potential stains or damages to the finish avoid soaking dishes for long periods of time and do not leave coffee grounds or teabags sitting in the sink.

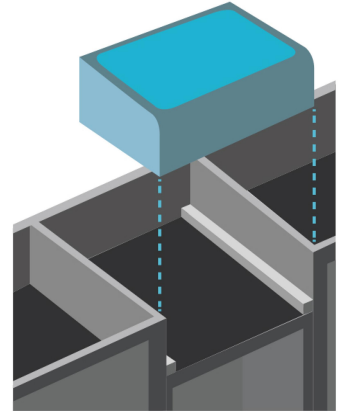
Use a soft, non-scratching sponge or cloth with mild soap and warm water or a gentle all-purpose cleaner for everyday cleaning. Wipe the surface dry with a clean, soft cloth after each use. Use a non-abrasive liquid or cream bathroom cleaner for tough stains.

## PREPARE THE CABINET

Farmhouse sink may require custom cabinetry. We recommend consulting an experienced cabinet maker for assistance. Providing the cabinet maker with the actual sink that is to be installed will ensure a custom fit.

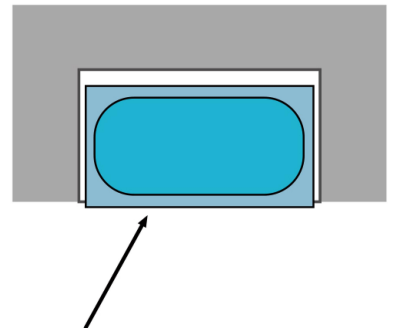
Allow clearance for the water supply lines, drains and a garbage disposal, if applicable. Build a support frame or install support bars front to back along the inner sides of the cabinet. The frame must support the weight of the sink and all attachments.

The support frame should be positioned so that when installed, the sink is line and level with the top of the cabinet.



## TEMPLATE AND AUTOUT

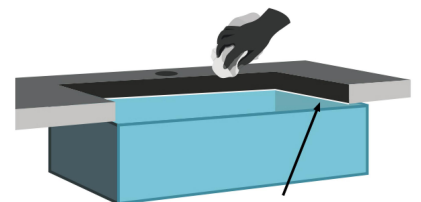
No template is provided since each sink will vary dimensionally. After centering the sink, trace the outline of the sink on the counter-top with pencil to use as a guide for the cutout. Remember to allow clearance for any faucets and/or backsplashes. Cut the counter-top accordingly.



## FINAL PLACEMENT

Test fit the sink the opening that was created in the previous steps. The entire weight of the sink should be supported by the support frame. Verify that the sink is in line and level with the top of the cabinet. Use shims, if needed, to level the sink.

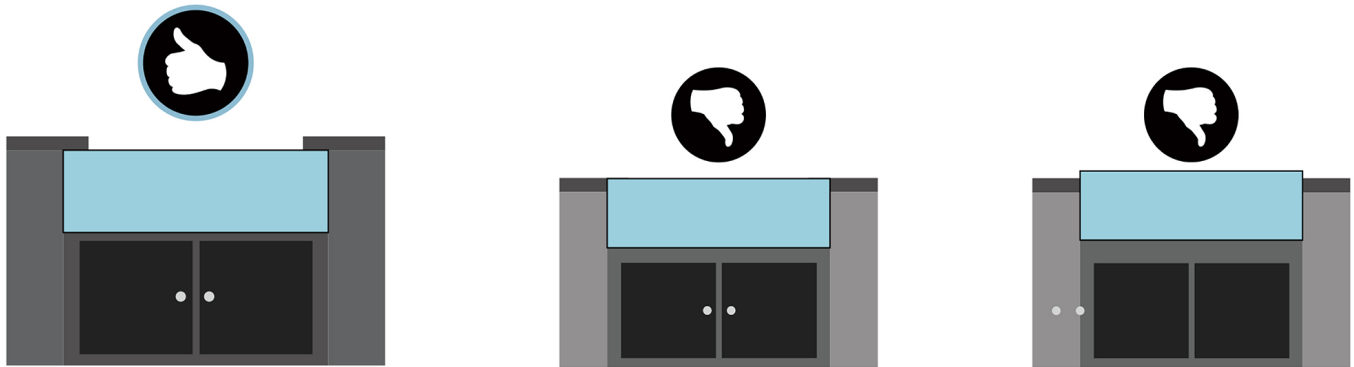
Set the sink and apply your sealant to fill in any gaps below the sink front, and between the sink and counter-top. Hold the sink in place to secure. Place the counter-top onto the sink and remove any excess sealant from all surfaces.



## INSTALLATION OPTIONS

We recommend undermount sink installation. Flushmount and built up installation are not recommended.

Ensure there is adequate room for the faucet and backsplash installations.



## INSTRUCTIONS

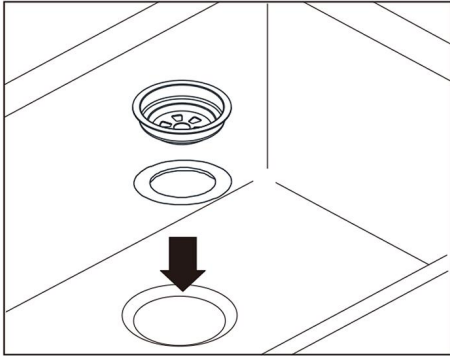
Unpack and inspect the sink for any shipping damages and ensure that none of the required pieces are missing. If you find any damages, do not install.

Due to the manufacturing process, each sink will vary slightly dimensionally. Farmhouse sink may require custom cabinetry. We recommend consulting an experienced cabinet maker for assistance. Providing the cabinet maker with the actual sink to be installed will ensure a custom fit.

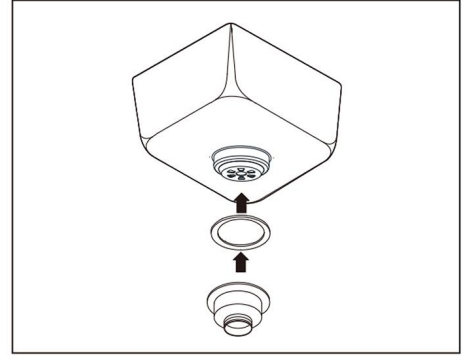
Please use assistance when lifting the sink in order to avoid personal injury.

We recommend consulting a professional if you are unfamiliar with installing kitchen fixtures and plumbing. MOHOME accepts no liability for any damages to the floor, walls, plumbing or personal injury during installation.

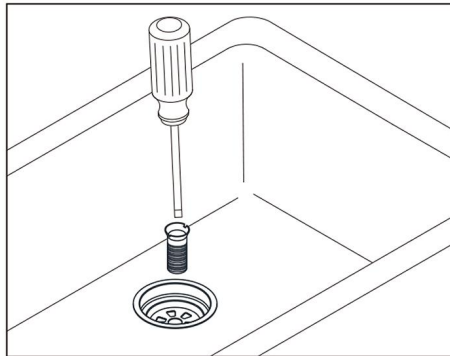
# Strainer Installation Guide



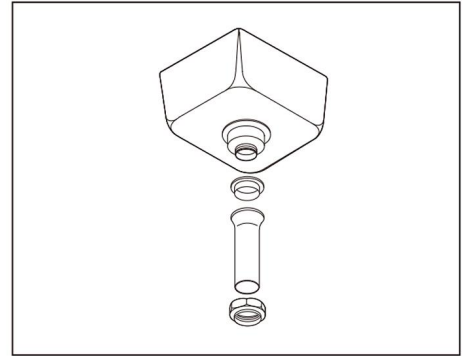
Step1: Taking apart the sink strainer, put the upper strainer body and white gasket into the sink hole



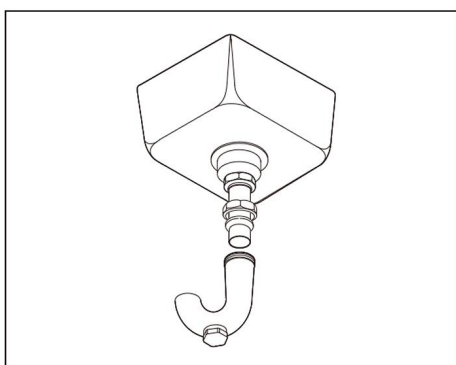
Step2: Put the lower strainer and black gasket connect to the upper part under the sink.



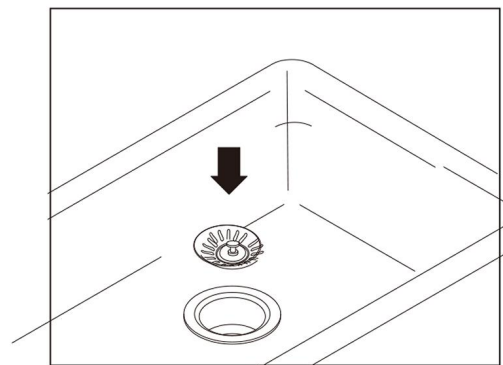
Step3: Fix the upper and lower parts with screws



Step4: Connect the dRAINTAIL-piece



Step5: Connect the trap. Run water and check for leaks.



Step 6: Insert the basket.

Installation tools are not provided, please choose the appropriate installation tools



## LIMITED WARRANTY

Offers a 1 years LIMITED WARRANTY on Farmhouse Sink to be free of manufacturing defects under normal use.

Will repalce at no charge excluding transportation and labour costs, any Farmhouse Sink supplied by that is proven to have a manufacturing defect, to the original purchaser, provided it has been used solely in a residential application and installed correctly. An equivalent replacement will be issued to the original owner provided the defective sink was installed in accordance with the installation procedures, used and cleaned as recommended, and not damaged due to abuse, misuse, or negligence. Chips, scratches, and stains are not deemed to be manufacturing defects.

Will not be held liable for chips, scratches, and stains that can occur under normal use over a period of time. Please refer to the cleaning instructions to maintain your sink.

Shall not be held liable under this warranty where the sink has been used in a nonresidential application, improperly installed, or damaged by an object being dropped on or impacting the sink or from improper handling.

Shall not be liable for any inconvenience or expense for material or labor related to the removal or replacement of a defective sink or for any loss or damage to any person or property whatsoever resulting from the defective sink. All transportation costs to and from the point of purchase will be responsibility of the purchaser.

Any sink returned must be in the original packaging and include all the accompanying accessories, parts, and documentation. The manufacturer reserves the right to inspect and/or request digital pictures of any sink reported to be defective to relplacement of the sink. Any manufacturing defect covered under this warranty must be reported to for warranty claim within 30 days of appearance.

It is improtant that the professional fabricator installer and enduser carefully inspect the sink for damage immediately upon delivery.

If any damage is not reported and documented on the delivery receipt with the shipping carrier upon delivery all insurance coverage ends and will not be able to file a claim or send a replacement sink.

## LIMITED WARRANTY

To submit a warranty claim it is the responsibility of the customer or installer to submit to a minimum of five (5) high resolution photographs clearly showing the manufacturing defect. Replacement cost excludes transportation and any labor costs for the removal or reinstallation.

Under no circumstances shall be liable for any loss or damage arising from the purchase, a defect in, or use or inability to use this Farmhouse Sink, or for any special, indirect, incidental or consequential damages. Liability under this warranty is limited to the repair or replacement of the defective material to the location of purchase.