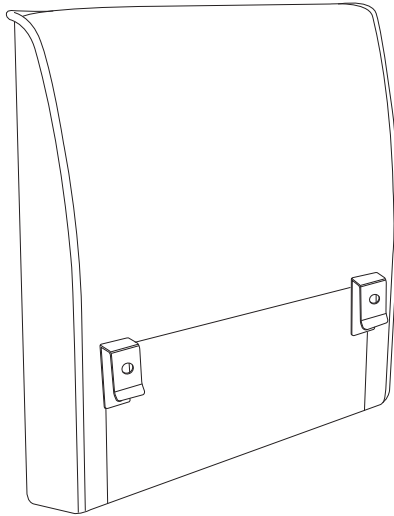


Assembly Instructions

Note: Please help to read my instruction before you ready to assemble.

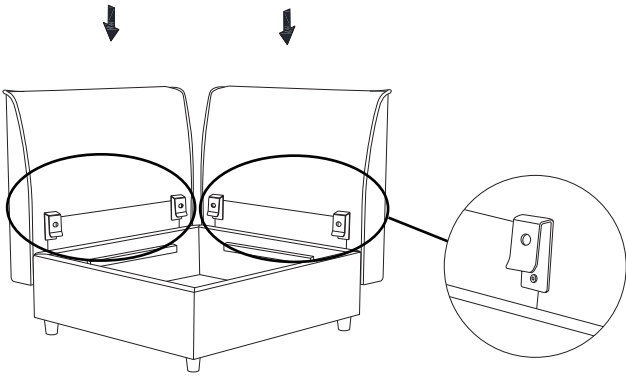
ARM OR BACKREST



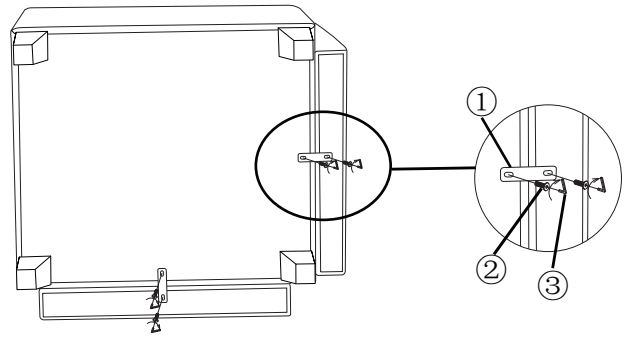
Hardware

①		Metal Connector	2
②		Bolt(M6*20MM)	5
③		Allen Wrench(S4)	1

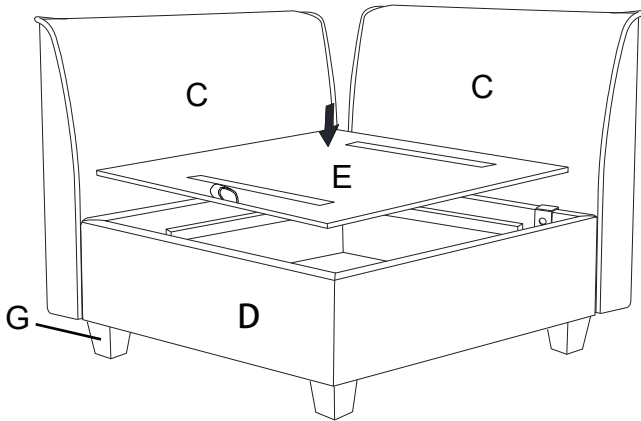
Step 1



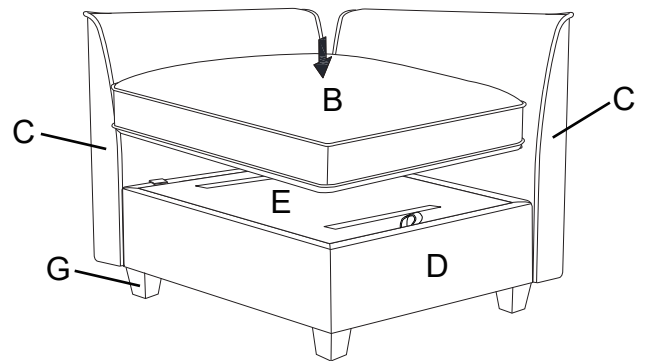
Step 2



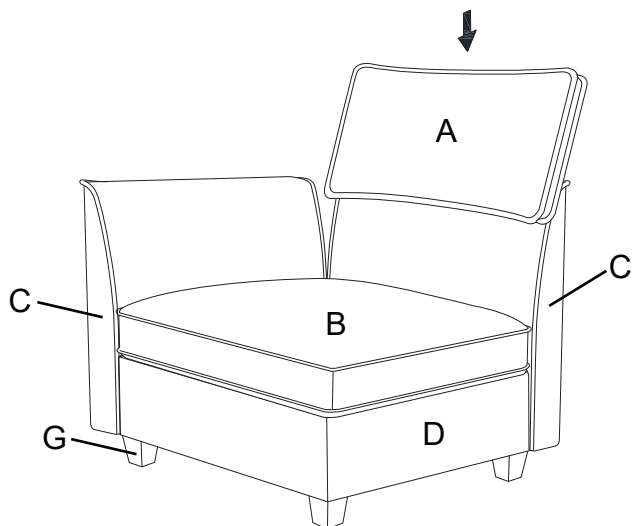
Step 3



Step 4



Step 5



Step 6

