



USER'S MANUAL **Electric Fireplace**

THIS INSTRUCTION BOOKLET CONTAINS **IMPORTANT** SAFETY INFORMATION. PLEASE READ AND KEEP FOR FUTURE REFERENCE.

Please give us a chance to make it right and do better!

Contact our friendly customer service department for help first.

Replacements for missing or damaged parts will be shipped ASAP!

Contact Us!

Do NOT return this item.

Contact our friendly customer service department for help first.



Before You Start

- ⚠ Please read all instructions carefully.
- ⚠ Retain instructions for future reference.
- ⚠ Separate and count all parts and hardware.
- ⚠ Read through each step carefully and follow the proper order.
- ⚠ We recommend that, where possible, all items are assembled near to the area in which they will be placed in use, to avoid moving the product unnecessarily once assembled.
- ⚠ Always place the product on a flat, steady and stable surface.
- ⚠ Keep all small parts and packaging materials for this product away from babies and children as they potentially pose a serious choking hazard.

IMPORTANT INSTRUCTIONS AND OPERATING MANUAL

ELECTRIC FIREPLACE



NO VENTING REQUIRED



Read and understand this entire owner's manual, including all safety information before plugging in or using this appliance. Failure to do so could result in fire, electric shock, or serious personal injury.

CERTIFIED UNDER CANADIAN AND AMERICAN NATIONAL STANDARDS: ETL



TABLE OF CONTENTS

IMPORTANT SAFETY INSTRUCTIONS.....	5
1.0 PACKING LIST	7
1.1 DIMENSIONS	9
2.0 ELECTRICAL INSTALLATION NOTES.....	11
2.1 GENERAL INSTRUCTIONS	11
3.0 INSTALLATION INSTRUCTIONS.....	12
3.1 UNPACKING AND TESTING APPLIANCE WALL.....	12
3.2 GROUNDING APPLIANCE.....	12
3.3 ASSEMBLY	13
Wall Hanging.....	14
Built in Construction	18
4.0 FINISHING	21
5.0 OPERATING INSTRUCTIONS	21
5.1 MAIN POWER BUTTON	21
5.2 CONTROL PANEL / REMOTE CONTROL OPERATION	22
5.3 REMOVE CONTROL.....	23
6.0 TROUBLE SHOOTING GUIDE	24
7.0 MAINTENANCE.....	26
7.1 PARTIALLY REFLECTIVE GLASS CLEANING	26
7.2 SCHEMATIC DIAGRAM	27
8.0 LIMITED WARRANTY	27

IMPORTANT SAFETY INSTRUCTIONS



WARNING

These instructions should be carefully read before installation and retained by the user. The booklet must be kept and delivered to the new user in case of disposal of the heater. The Manufacturer reserves the right to vary the features of the product without prior notice. The technical data are indicative only.

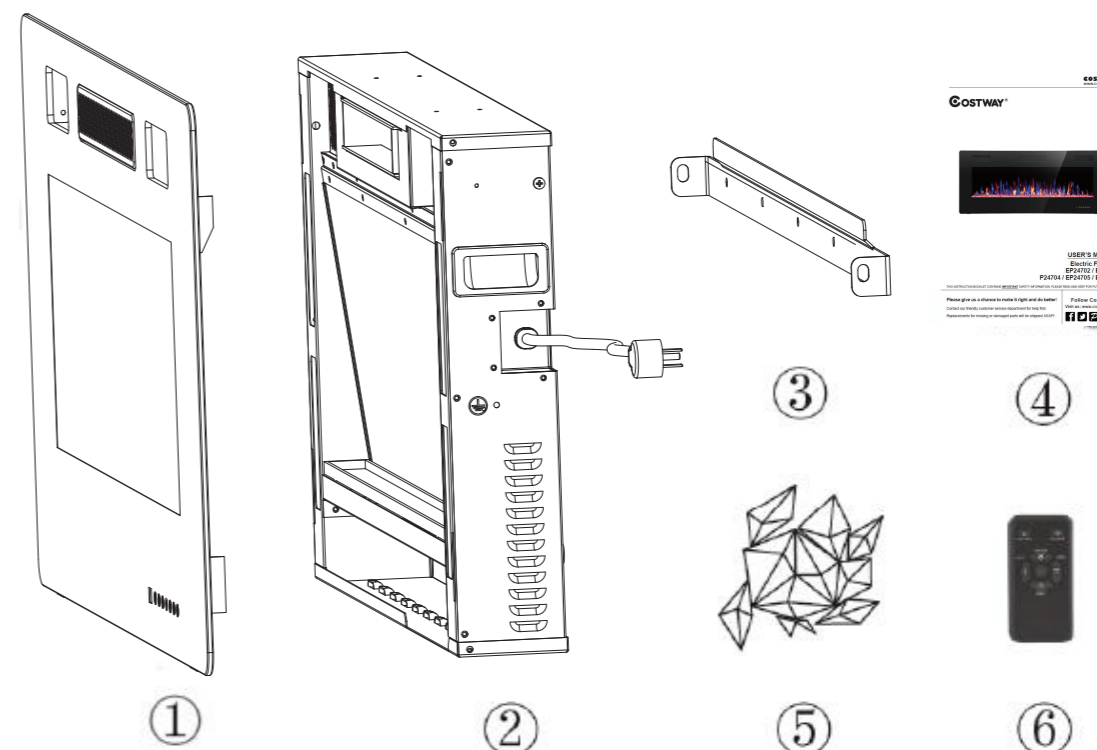
- 1. THIS APPLIANCE IS HOT WHEN OPERATED AND CAN CAUSE SEVERE BURNS IF TOUCHED.**
- Do not operate appliance before reading and understanding operating instructions. Failure to operate appliance according to operating instructions could cause fire or injury.
- Keep combustible materials, such as furniture, pillows, bedding, papers, clothes and curtains at least 3 feet (0.9 m) from the front of this appliance and keep away from the sides and the rear. **WARNING:** In order to avoid overheating, do not cover the heater. The clearance may be inadequate when installed in a Recreational Vehicle with the slide-out closed.
- Risk of burns. Power to the appliance should be turned off and the appliance allowed to cool before servicing. To disconnect power to the appliance, turn controls to off, then remove plug from outlet.
- Do not install damaged, incomplete or substitute components.
- Young children should be carefully supervised when they are in the same room as the appliance. Toddlers, young children and others may be susceptible to accidental contact burns.
- To prevent accidental swallowing, media bed kits should be kept away from children and infants.
- Remote control contains small batteries. Keep away from children. If swallowed, seek medical attention immediately.
- Do not install battery backwards, charge, put in fire or mix with used or other battery types-may explode or leak causing injury.
- Ensure you have incorporated adequate safety measure to protect infants/toddlers from touching hot surfaces.
- It is imperative that the control compartments, circulating blower and its passageway in the appliance and are kept clean. The appliance should be inspected before use and at least annually by a qualified service person.
- Under no circumstances should this appliance be modified.
- Do not use this appliance if any part has been in contact with water. Immediately call a qualified service technician to inspect the appliance and to replace any part of the control system which has been in contact with water.
- Do not operate the appliance with the glass door removed, cracked or broken. Replacement of the glass should be done by a licensed or qualified service person.
- Do not strike or slam shut the appliance glass door.
- Keep the packaging material out of reach of children and dispose of the material in a safe manner. As with all plastic bags, these are not toys and should be kept away from children and infants.
- Servicing should be done only while the appliance is disconnected from the power supply circuit.

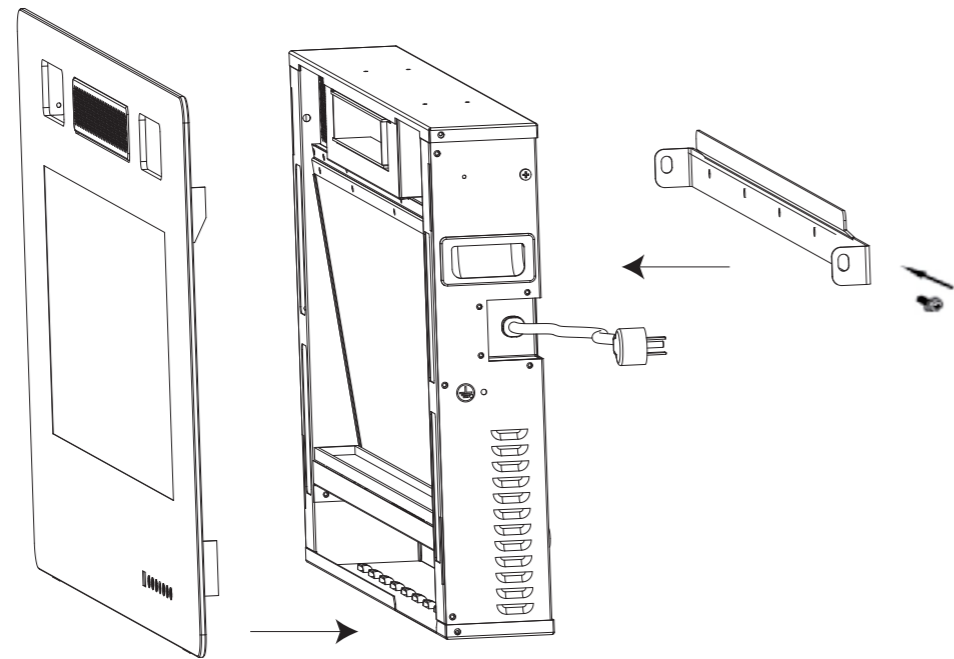
- 18. Always unplug appliance when not in use.
- 19. Do not operate this appliance with a damaged cord or plug after the appliance malfunctions, has been dropped or damaged in any manner. Return appliance to authorized service facility for examination, electrical or mechanical adjustment, or repair.
- 20. Do not use appliance outdoors.
- 21. Never place appliance where it may fall into a bathtub or other water container.
- 22. Do not run cord under carpeting. Do not cover cord with throw rugs, runners, etc. Arrange cord away from cluttered area and where it will not be tripped over.
- 23. Connect to properly grounded outlets only.
- 24. Do not insert or allow foreign objects to enter any ventilation or exhaust opening as this may cause an electric shock or fire, or damage the appliance.
- 25. To prevent a possible fire, do not block air intakes or exhaust in any manner. Do not use on soft surfaces, like a carpet, where openings may become blocked.
- 26. Always plug appliances directly into a wall outlet/receptacle. Never use an extension cord or relocatable power tap (outlet/power strip).

SAVE THESE INSTRUCTIONS

1.0 PACKING LIST

No.	Description	Quantity
1	Front Frame	1 pc
2	Electric Fireplace	1 pc
3	Mounting Bracket (Pre-attached)	1 pc
4	Manual	1 pc
5	Decorative Stuff	Varies
6	Remote Control(Battery included)	1 pc





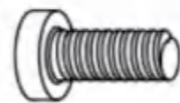
HARDWARE INCLUDED



A



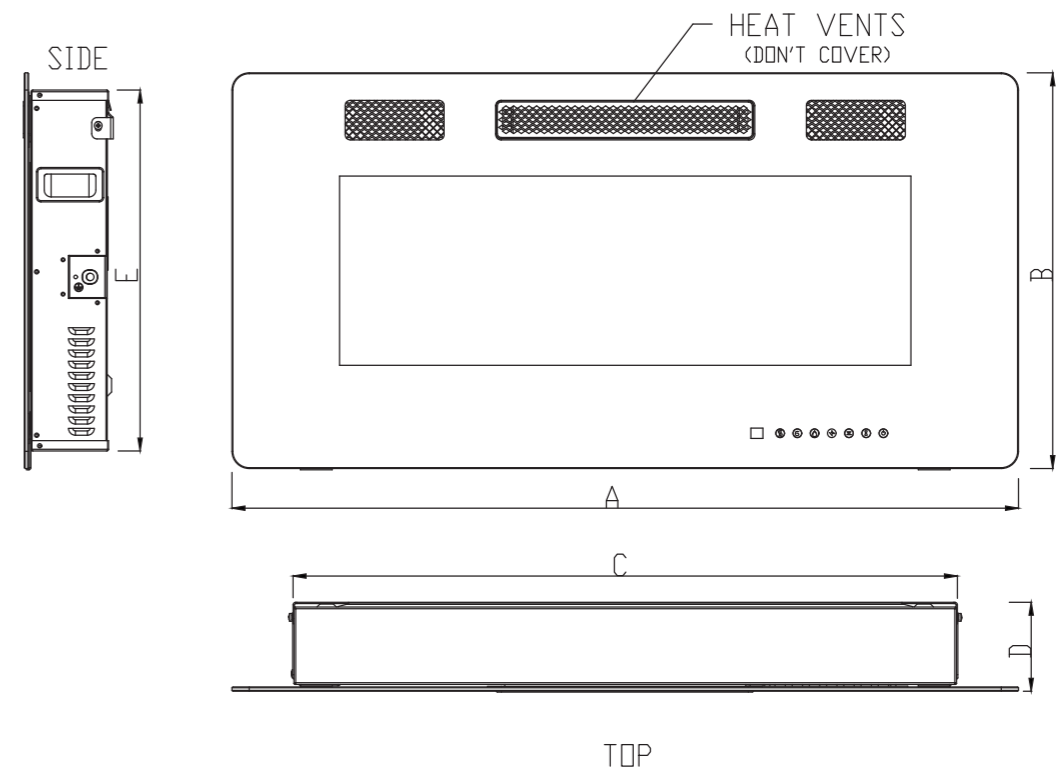
B



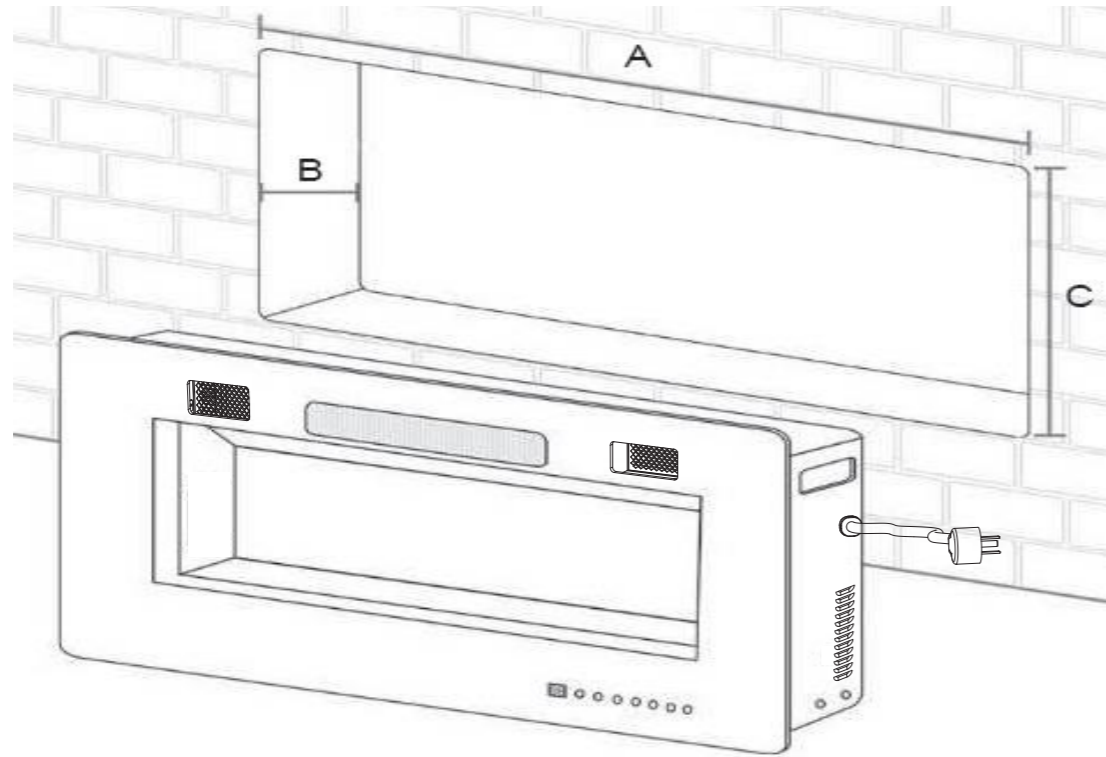
C

Part	Description	Quantity	
A	Anchor Screw	5 PCS	
B	Wall Anchor	5 PCS	
C	M4X12 Screw	1 PC	

1.1 DIMENSIONS



	A(mm)	B(mm)	C(mm)	D(mm)	E(mm)	A(in.)	B(in.)	C(in.)	D(in.)	E(in.)
	762	460	618	98	420	30	18.11	24.33	3.86	16.54
	914	460	771	98	420	36	18.11	30.35	3.86	16.54
	1066	460	922	98	420	42	18.11	36.30	3.86	16.54
	1270	460	1126	98	420	50	18.11	44.33	3.86	16.54
	1524	460	1380	98	420	60	18.11	54.33	3.86	16.54



	A(mm)	B(mm)	C(mm)	A(in.)	B(in.)	C(in.)
	625-740	80-90	430-450	24.61-29.1	3.15-3.54	16.93-17.7
	785-895	80-90	430-450	31-35.2	3.15-3.54	16.93-17.7
	935-1045	80-90	430-450	36.82-41.1	3.15-3.54	16.93-17.7
	1140-1250	80-90	430-450	44.9-49.2	3.15-3.54	16.93-17.7
	1390-1505	80-90	430-450	54.75-59.2	3.15-3.54	16.93-17.7

NOTE:

※ The size of column B reserves some space for the main power switch on the top, you can also choose a 143mm/5.63inch distance for model LA(B) and 90mm/3.54inch for model LC for full embedding, since the touch screen also has a main power switch.

※ Please leave enough space to pace the power cord on the right side of the fireplace.

LISTING APPROVALS

This appliance has been tested in accordance with the ETL Standards for fixed and location-dedicated electric room appliances in the United States and Canada. If you need assistance during installation, please contact your local dealer.

NOTE: This appliance must be electrically wired and grounded in accordance with local or, in the absence of local, with National Electric Code ANSI/NFPA 70-latest edition in the United States or the Canadian Electric Code, ETL in Canada.

Description	Wall-mount, recessed, or free standing Appliance
Voltage	120VAC
Watts	Max 1500W
Amps	12.5AMP
BTUs	5100BTU

2.0 ELECTRICAL INSTALLATION NOTES

2.1 GENERAL INSTRUCTIONS



CAUTION - Some parts of this product can become very hot and cause burns. Particular attention has to be given where children and vulnerable people are present.

- A.** Prior to plugging your appliance into an electrical outlet, verify that the house circuit breakers for the outlet are on.
- B.** The appliance may emit a slight, harmless odor when first used. This odor is normal and it is caused by the initial heating of internal appliance elements and will not occur again.
- C.** If your appliance does not emit heat, consult the operation section of this manual for further information.
- D.** Use with a ETL or UL certified surge protector.



RISK OF FIRE! THE POWER CORD MUST NOT BE PINCHED AGAINST A SHARP EDGE. SECURE CORD TO AVOID TRIPPING OR SNAGGING TO REDUCE THE RISK OF FIRE, ELECTRIC SHOCK OR PERSONAL INJURY. DO NOT RUN CORD UNDER CARPETING. DO NOT COVER CORD WITH THROW RUGS, RUNNERS, ETC.

ARRANGE CORD AWAY FROM CLUTTERED AREAS AND WHERE IT WILL NOT BE TRIPPED OVER.

RISK OF FIRE. TO PREVENT A POSSIBLE FIRE, DO NOT BLOCK AIR INTAKE OR EXHAUST IN ANY MANNER. DO NOT USE ON SOFT SURFACES WHERE OPENINGS MAY BECOME BLOCKED.

RISK OF FIRE. DO NOT BLOW OR PLACE INSULATION AGAINST THE APPLIANCE.

THIS ELECTRIC APPLIANCE IS TESTED AND LISTED FOR USE ONLY WITH THE APPROVED OPTIONAL ACCESSORIES. USE OF OPTIONAL ACCESSORIES NOT SPECIFICALLY TESTED FOR THIS ELECTRIC APPLIANCE COULD VOID THE WARRANTY AND/OR RESULT IN A SAFETY HAZARD.

IF THE INFORMATION IN THESE INSTRUCTIONS IS NOT FOLLOWED EXACTLY, A FIRE MAY RESULT CAUSING PROPERTY DAMAGE, PERSONAL INJURY OR DEATH. DO NOT STORE OR USE GASOLINE OR OTHER FLAMMABLE VAPORS IN THE VICINITY OF THIS OR ANY OTHER APPLIANCE.

THIS APPLIANCE IS HEAVY. IT IS HIGHLY RECOMMENDED THAT TWO PEOPLE INSTALL THIS APPLIANCE.

HEATER VENTS ON THE ELECTRIC APPLIANCE CANNOT, IN ANY WAY, BE COVERED. AS IT MAY CREATE A FIRE HAZARD.

Follow all National and local electrical codes.

1. The heaters should be installed only using the mounting brackets we provided if you want to mount it.
2. The heater must not be recessed in the ceiling. There must be enough space around the top of the heater to ensure adequate ventilation.
3. The heater should be at least 60 cm away from any surrounding walls.
4. A distance of at least 90 cm should always be left in front of the heaters to ensure safety.
5. The Heater must not be located either directly below, or in front of a socket-outlet.
6. The heater must be installed so as to prevent any control switches being able to be touched by anyone who is in the shower or bath.
7. Make sure that there is no possibility of inflammable material, combustible material or curtains coming into contact with the heater, there is a risk of fire if this happens.
8. **DO NOT LEAVE THE HEATER UNATTENDED DURING USE.**

3.0 INSTALLATION INSTRUCTIONS

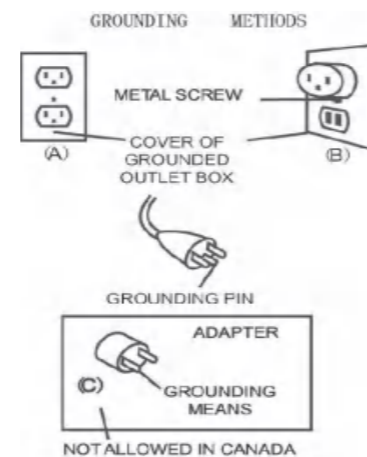
3.1 UNPACKING AND TESTING APPLIANCE WALL

Carefully remove the appliance from the box. Prior to installing the appliance, test to make sure the appliance operates properly by plugging the power supply cord into a conveniently located 120 Volt grounded outlet.

3.2 GROUNDING APPLIANCE

This appliance is for use on 120 Volts. The cord has a plug as shown in (A). An adapter as shown in (C) is available for connecting three-blade grounding type plugs to two-slot receptacles. The green grounding lug extending from the adapter must be connected to a permanent ground such as a properly grounded outlet box. The adapter should not be used if a three-slot grounded receptacle is available.

To disconnect appliance, turn controls to off, then remove plug from outlet.



3.3 ASSEMBLY

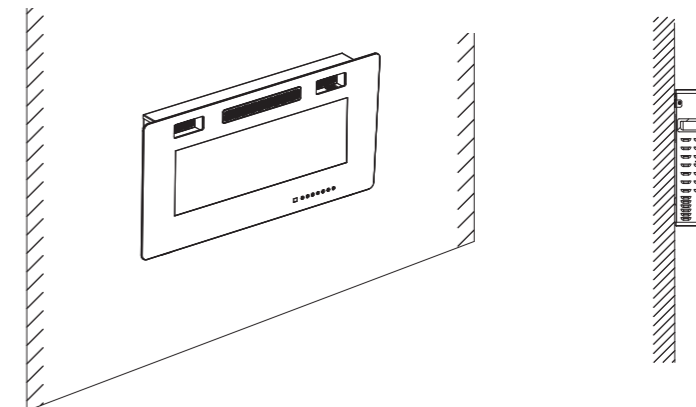
The fireplace can be installed with 2 options:

1. Wall hanging with provided mounting bracket.
2. Built in construction (in wall recessed).

Follow installation instructions below based on installation preference.

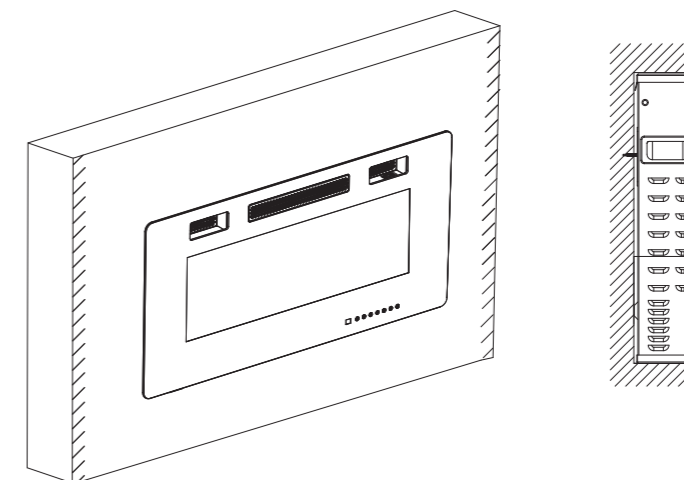
Option 1:

Wall Hanging.....page 14-17



Option 2:

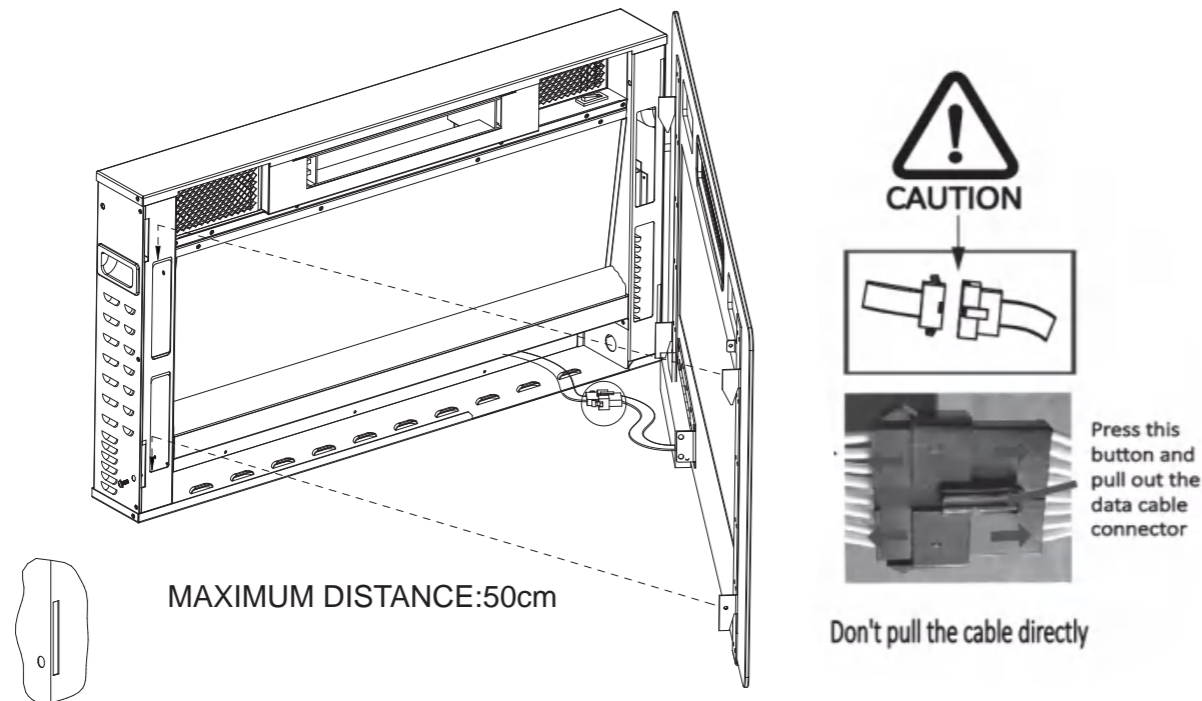
Built in Construction.....page 18-20



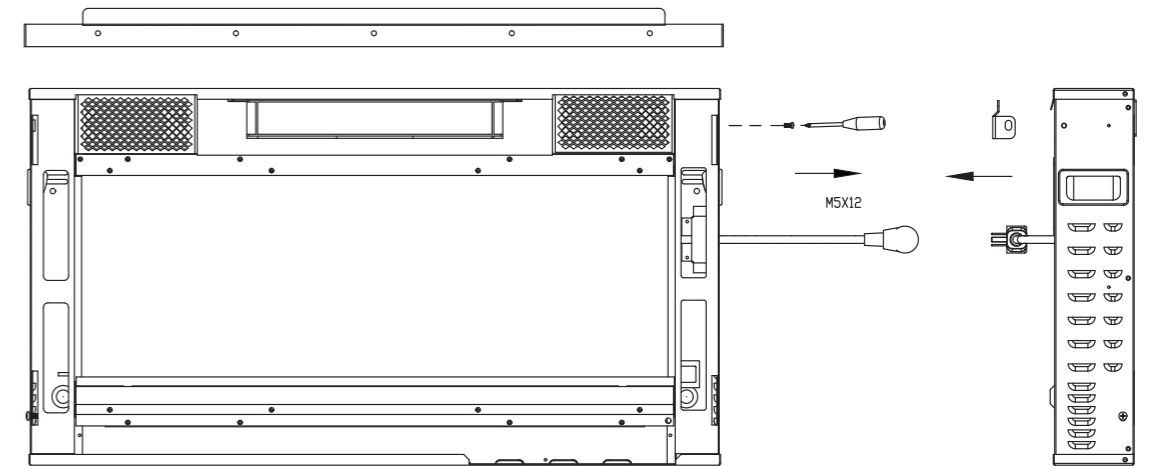
Installation - Wall Hanging

Step 1. Removing the Glass Frame

- Remove the fixed screw in the lower-left corner (Do not discard it)
- Lift the glass frame 1-2cm vertically. Then the entire glass frame can be removed from the front.
- Take the glass frame 10-20cm away from the appliance, pull out the data cable connector with the help of others or put the glass panel down on the ground before complete separation.



Step 2. Removing the Mounting Bracket

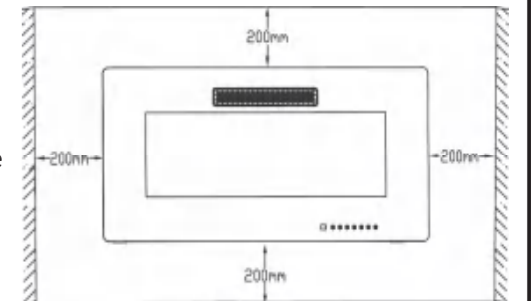


- Unscrew the two screws by Phillips screwdriver from both ends (Do not discard them), then remove the pre-attached mounting bracket.

Step 3. Choosing a Wall Location

- Find a safe location. Minimum clearance from the ceiling and the mantel must be at least 8 inches (200mm); minimum clearance from the front must be at least 3 feet (900 mm). Choose a location near an outlet so an extension cord is not required.

Note: DO NOT position the unit directly below a power outlet.
See Safety Information on pages 2 and 3 for more warnings about placement, installation, and use of this product.

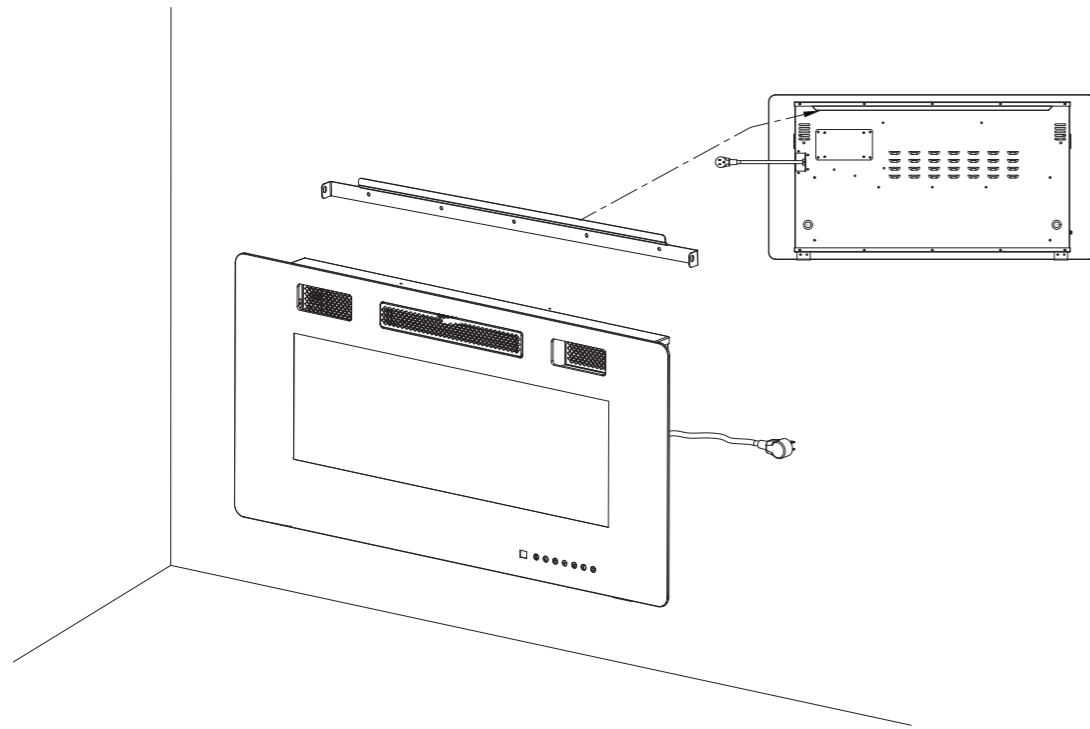


Step 4. Drilling the Holes and attaching the Mounting Bracket



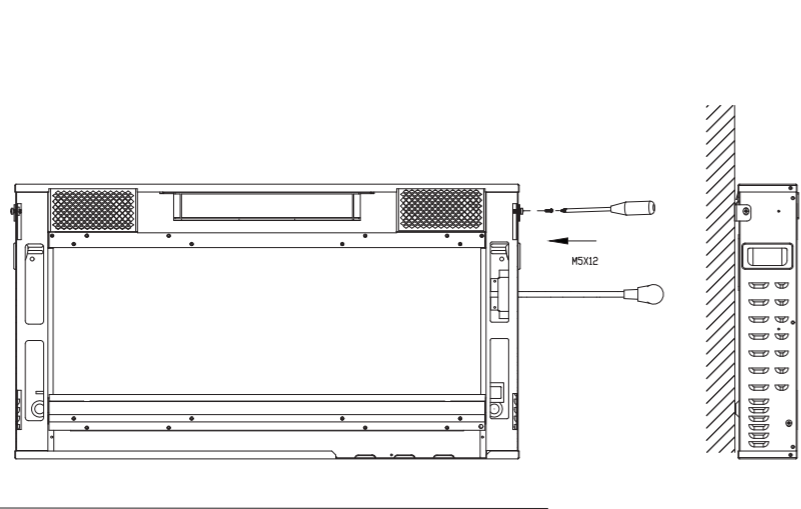
- Use a level to align the bracket and mark the holes which need to be drilled with a pencil.
- Drill 3-10 (according to the model you have bought) 7/25 in. (7mm) holes in the wall.
- Insert the wall anchors into the holes using a hammer.
- Attach the mounting bracket to the wall by fastening the Anchor Screws (Part A) into the wall anchors (Part B).

Step 5. Hanging the Fireplace on the Bracket



- Hang the slotting behind the appliance on the hooks at the left and right sides of the bracket.
(Please hold the appliance to avoid dropping down before the installation is finished)

Step 6. Locking the Fireplace on the Bracket



- Lock the bracket at both ends with a screw to ensure a solid combination of the fireplace and bracket

Step 7. Placing the Decorations

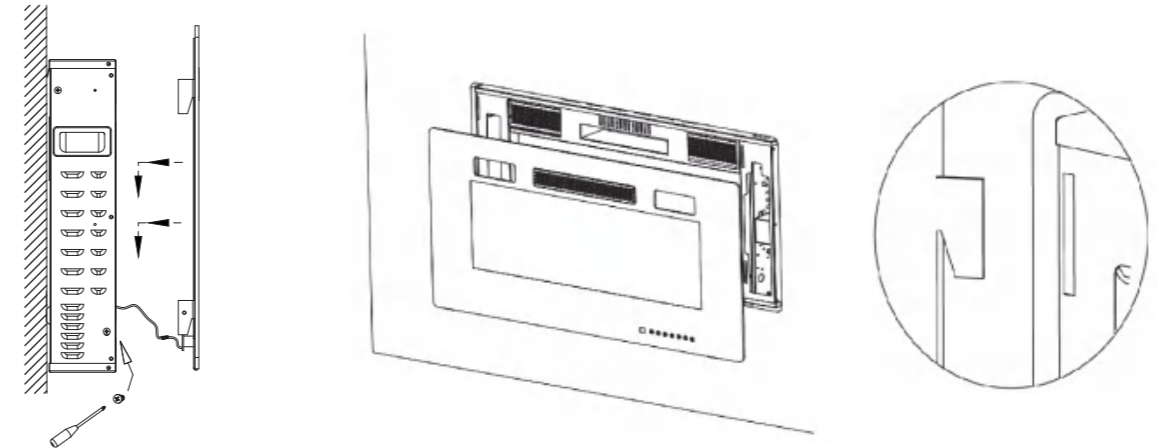
- Carefully place crystal (together with the appliance) or other decoration into the bottom tray on the front of the appliance as illustrated.

NOTE: Media bed kits may have sharp edges, wear safety glasses and gloves when handling.



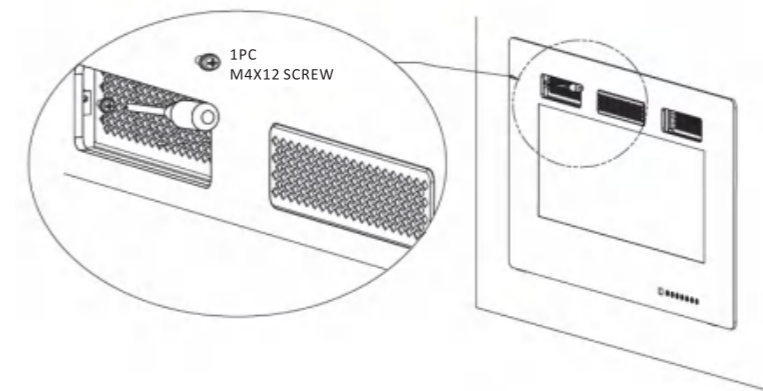
Step 8. Hanging the Glass Frame

- Connect the data cable connector before hanging the glass frame on the appliance.
- Gently push on the glass panel by aligning the 4 hooks until it snaps into position (sinks down 1-2 cm).
- Secure the glass panel with the screw removed in Step 1 (or part B).



Step 9. Refasten the Glass Frame

- Thread the M4X12 screw into the threaded holes on the glass panel. Check the alignment of the glass panel and securely tighten the screws.



(Only for all models of style C which has no mesh for the air inlet .)

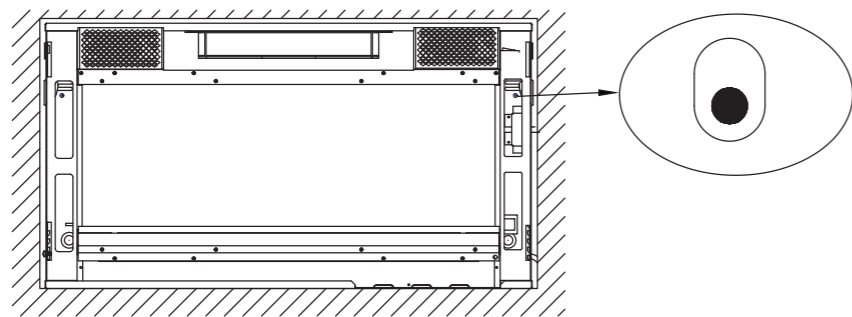
Installation - Built in Construction

Step 1. Removing the Glass Frame

Step 2. Removing the Mounting Bracket

(Step 1 and Step 2 please refer to page 14-15 same as Wall Hanging Installation.)

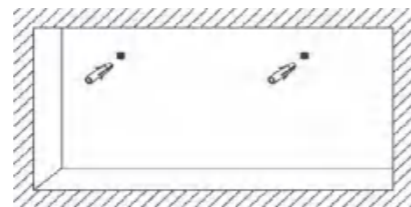
Step 3. Settling the Holes of Screw



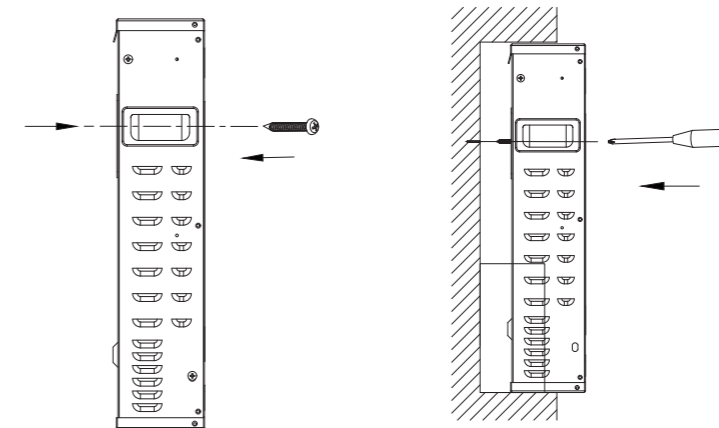
- The appropriate cavity (1-2cm bigger for each side) needs to be prepared according to the size of the appliance.
- Put the fireplace in place, mark the holes which need to be drilled with a pencil. Then take it out of the cavity again.

Step 4. Drilling & Installing the Wall Anchors

- Drill the holes 7/25 in. (7mm) on the prepared marks.
- Insert the wall anchors (Part B) into the holes using a hammer.



Step 5. Placing the Pads and Fixing the Fireplace



- Screws (Part A) pass through the holes from the front of fireplace with screwdriver.
(Note: Install carefully and don't let the screws fall into the fireplace.)
- Put the Fireplace into the prepared cavity.
- Fasten the fireplace firmly into the wall by the screws for each side.

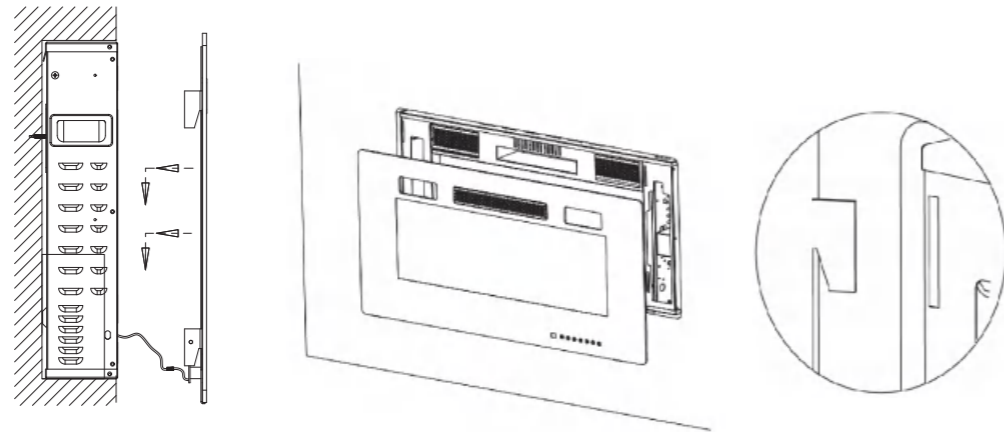
Step 6. Placing the Decorations

- Carefully place crystal (together with the appliance) or other decoration into the bottom tray on the front of the appliance as illustrated.
- NOTE: Media bed kits may have sharp edges, wear safety glasses and gloves when handling.**



Step 7 . Hanging the Glass Frame

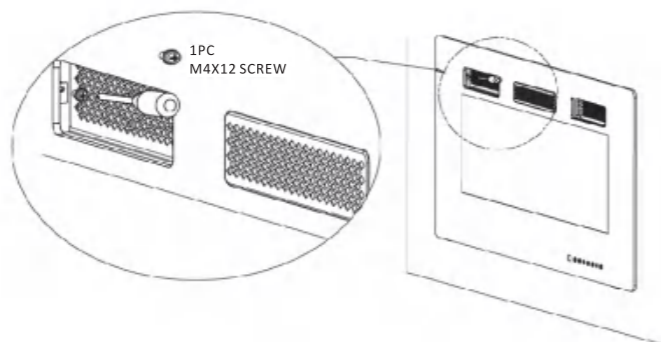
- Connect the data cable connector before hanging the glass frame on the appliance.
- Gently push on the glass panel by aligning the 4 hooks until it snaps into position (sinks down 1-2 cm).
- Secure the glass panel with the screw removed in Step 1.



WARNING: It's better to reserve a space between frame and wall to enable better air circulation during working if available.

Step 8 . Refasten the Glass Frame

- Thread the M4X12 screw into the threaded holes on the glass panel. Check the alignment of the glass panel and securely tighten the screws.



4.0 FINISHING



GRILLE MAY BE HOT, DO NOT TOUCH AIR OUTLET UNTIL COOLED.

THE DOOR HOOKS ARE PART OF A SAFETY SYSTEM AND MUST BE PROPERLY ENGAGED. DO NOT OPERATE THE APPLIANCE WITH HOOKS DISENGAGED.

FACING AND/OR FINISHING MATERIALS MUST NOT INTERFERE WITH AIR FLOW THROUGH AIR OPENINGS, OPERATION OF OR DOORS OR ACCESS FOR SERVICE. OBSERVE ALL CLEARANCES WHEN APPLYING COMBUSTIBLE MATERIALS.

BEFORE DOOR IS REMOVED TURN THE APPLIANCE OFF AND WAIT UNTIL APPLIANCE IS COOL TO THE TOUCH. DOORS ARE HEAVY AND FRAGILE SO HANDLE WITH CARE.

NOTE: Glass front must be removed and the appliance must be finished in its final location before the media bed kits are installed. Media bed kits may have sharp edges, wear safety glasses and gloves when handling.

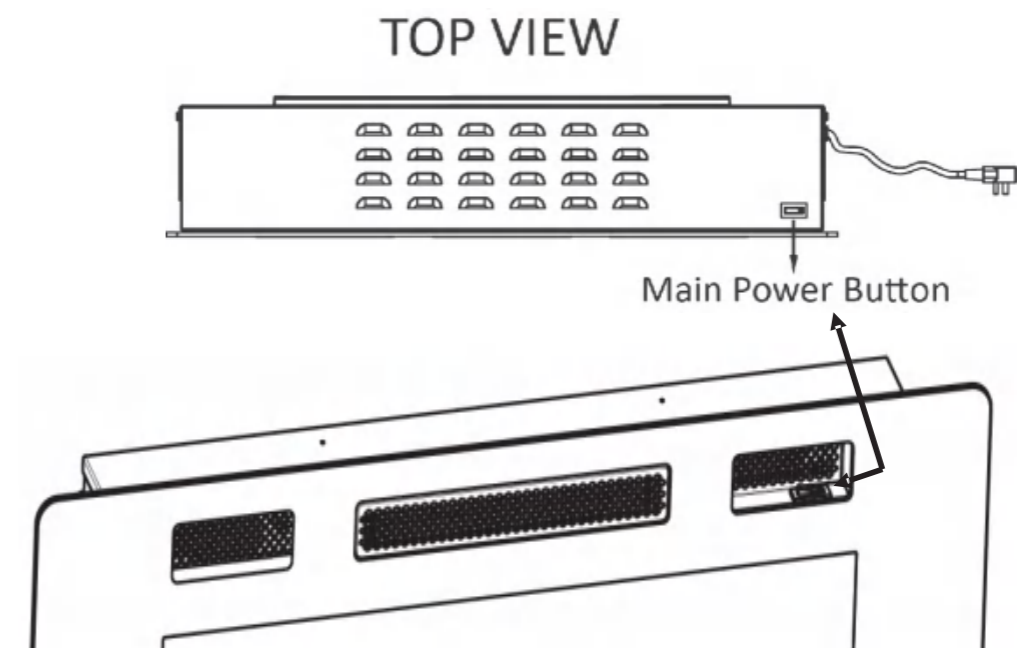
5.0 OPERATING INSTRUCTIONS

Once the appliance has been plugged into a grounded electrical outlet, it is ready to operate.

5.1 MAIN POWER BUTTON

The main power switch for all types is located on the upper right of the fireplace except the style C of model LC whose main power switch is on the front right.

Press indicator to turn on the appliance, press the other side turns it off.



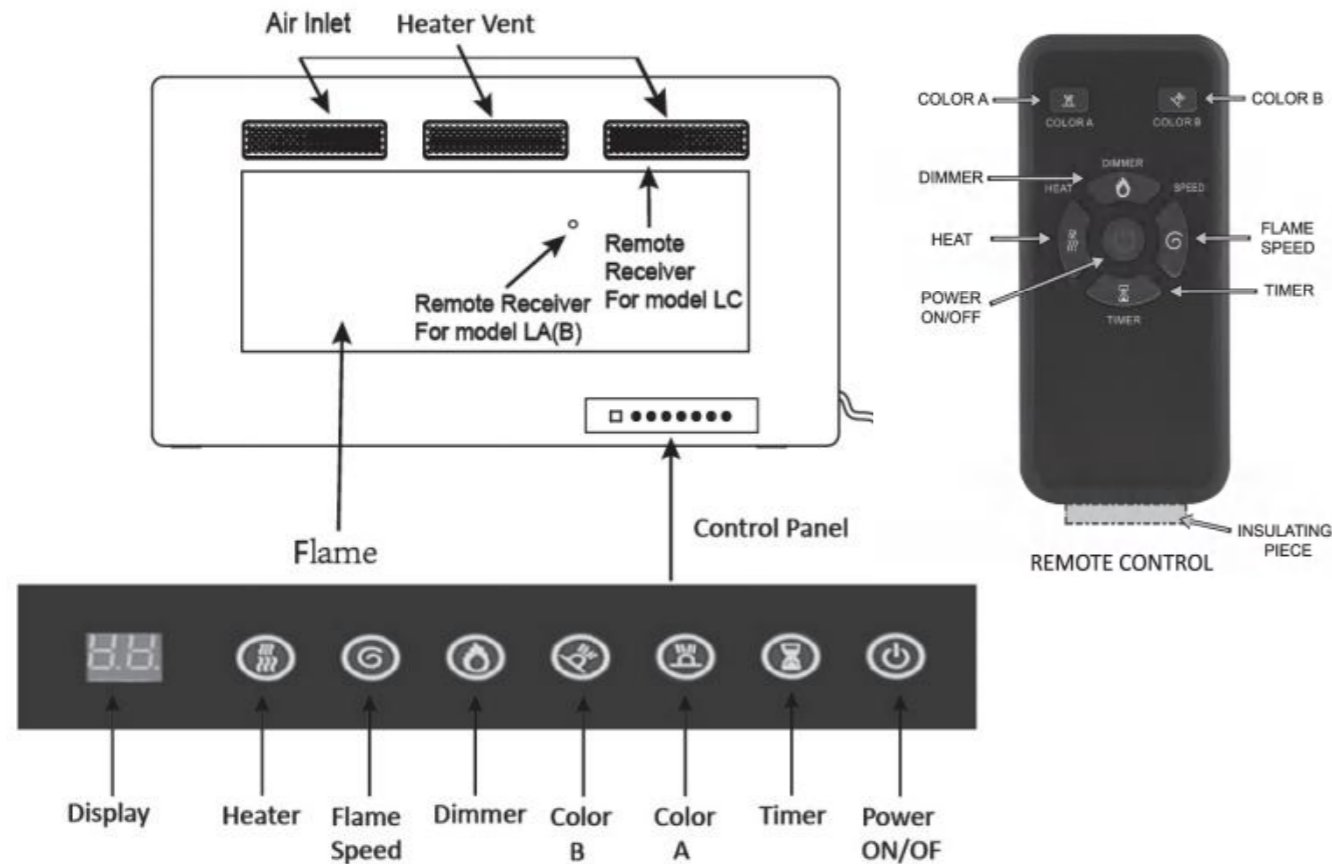
Note: Make sure the Main Power Switch is turned on before operating.

5.2 CONTROL PANEL / REMOTE CONTROL OPERATION

(Main Power Switch must be turned ON before using remote control.)

The touch display panel is shown on the bottom right of the front of the appliance.

◆ Move the battery's transparent insulating piece away before using remote control.



POWER		Turn the appliance ON/OFF. NOTE: Make sure the main switch on the top of fireplace is turned on before operating.
DIMMER		Control Flame brightness. 5 Settings: (L1-L2-L3-L4-L5) Flame dims from L1 to L5. L5 is the brightest setting. NOTE: Long-press the "DIMMER" button for 6 seconds, the appliance will go into sleep mode. All the lights off, the heating function goes on. Long-press for 6 seconds again, the appliance will back to normal mode.
TIMER		Control the Timer. 8 Settings: (1h, 2h, 3h, 4h, 5h, 6h, 7h, 8h) Press button until reach desired setting.
FLAME SPEED		Control Flame speed. 5 Settings: (V1-V2-V3-V4-V5) Flame speed from V1 to V5. V5 is the fastest setting.

HEATER		Control the Heater. Press button to initiate the heater. (OFF) no heater or blower. (-), heater blows warm air(750W) (--), heater blows hot air(1500W) NOTE: Heater functions cycle from (OFF) (-)(--)
COLOR A		Control the flame color. 12 Settings: 1.red 2.yellow 3.blue 4.orange 5.red & yellow 6.red & blue 7.red & white 8.yellow & blue 9. yellow & white 10.blue & white 11.red & yellow & blue 12.multicolor NOTE: When you press the button for 6 seconds until you hear a beep, the indicator will show digital "0", the flame color and brightness will be changed automatically.
COLOR B		Control the flame bed color. 12 Settings: 1.red 2.gentian blue 3.green 4.pink 5.yellow 6.cyan 7.purple 8.white 9.saffron 10.sky blue 11.verdant 12.capri blue NOTE: When you press the button for 6 seconds until you hear a beep, the indicator will show digital "0", the flame color and brightness will be changed automatically.

WARNING: Do not move or remove the mesh trim panel, when the appliance is plugged in and operating. This will cause the remote control and touch panel to no longer function.

NOTICE: When the heater is first turned on, a slight odor may be present. This is normal and should not occur again unless the heater is not used for a long period of time.

NOTICE: To improve operation, aim the remote control at the front of the fireplace. DO NOT press the buttons too quickly. Give the unit time to respond to each command.

5.3 REMOTE CONTROL

◆ Move the battery's transparent insulating piece away before using.



Battery must be recycled or disposed of properly. Check with your Local Authority or Retailer for recycling advice in your area.

6.0 TROUBLE SHOOTING GUIDE

PROBLEM	SOLUTION
The mounting bracket cannot be removed	<ol style="list-style-type: none"> 1. The mounting bracket is pre-attached. Unscrew the two screws at both sides of the fireplace by Phillips screw driver, then remove the pre-attached mounting bracket. 2. If the problem is still not solved, please contact us via Amazon Message or e-mail us at : cs.us@costway.com
The control panel functions do not work.	<ol style="list-style-type: none"> 1. Make sure the Power Switch on the control panel is turned on before operation. 2. Make sure you have reconnected the data cable which was pull out when you removed the glass frame. 3. If the problem is still not solved, please contact us via Amazon Message or e-mail us at : cs.us@costway.com
Sudden power outage during the heating process	<ol style="list-style-type: none"> 1. Don't cover the air outlet. 2. Unplug the plug, wait for 10 minutes and try to open it again. 3. If the problem is still not solved, please contact us via Amazon Message or e-mail us at : cs.us@costway.com
The appliance does not blow hot air when it turns on and off.	This is normal. The fans blow cool air while the appliance gradually heat up. The fans blow after the appliance turn off to cool the appliance and prevent overheating.
Heater doesn't turn on with the power switch.	1. Main Power supply switch is off. Turn the main power supply switch to "ON" position.
	2. Circuit breaker has tripped. Too many appliances on this circuit. Be sure that electrical supply for this unit is an individual circuit.
	3. Heater is unplugged from wall outlet. Make sure the power cord is plugged into a functioning and properly grounded 15 Amp 120V AC electrical outlet.
	4. Power cord or power plug are damaged. Contact a qualified electrician to replace power cord.
	5. Power outlet for power plug prong is loose. Check the power outlet and replace with a new one.
	6. Loose wiring. Check all wiring for loose connections. Contact a qualified electrician.
Heater is on, but no flame or low flame intensity.	<ol style="list-style-type: none"> 1. Heater switches in on, but Flame is not on. Long-press the "DIMMER" button for 6 seconds, the appliance will go into sleep mode. All the lights off, the heating function goes on. Long-press for 6 seconds again, the appliance will back to normal mode.

	2. Flame Adjusting knob is at low setting. Turn the knob to maximum setting.
	3. Loose wiring. Check all wiring for loose connections. Contact a qualified electrician.
Flame are frozen	1. Flame element is not attached to the motor. Contact us via Amazon Message or e-mail us at : cs.us@costway.com
	2. Rotation motor is defective. Contact us via Amazon Message or e-mail us at : cs.us@costway.com
Excessive noise in the lower portion of the heater.	1. Flame element isn't seated properly. Contact us via Amazon Message or e-mail us at : cs.us@costway.com
	2. Motor is defective. Contact us via Amazon Message or e-mail us at : cs.us@costway.com
Heater system doesn't come on.	1. Heater power switch is off. Turn the heater power switch to the "ON" position.
	2. Heater system is overheated. Maybe the heater is covered or air inlet or air outlet is blocked; remove the clothes or the blockage and turn off the power switch and unplug it. Wait 10 minutes, and then turn the heater on again.
	3. Loose wiring. Check all wiring for loose connections. Contact a qualified electrician.
	4. The air inlet or air outlet is blocked completely. Leave adequate space around the unit. Remove the blockage, on or in front of the air outlet.
"HEAT " switch has been flipped in the on position, but there is no airflow.	1. The heater system is overheated. Temperature Limit thermostat is cutoff. Check the air inlet and outlet. Turn off the power switch and unplug it. Wait 10 minutes, and then turn the heater on again.
	2. Fan motor is defective. Contact us via Amazon Message or e-mail us at : cs.us@costway.com
	3. Fan blower is balanced badly. Contact us via Amazon Message or e-mail us at : cs.us@costway.com
	4. The "POWER" and the "HEAT" switches are not turned on. Turn these two switches on.
Fan runs but no heat is coming out.	1. Loose wiring. Contact us via Amazon Message or e-mail us at : cs.us@costway.com
	2. Bad heating element. Contact us via Amazon Message or e-mail us at : cs.us@costway.com
	3. Build up of dirt on the fans. Clean all fans
	4. Heater fan is defective. Contact us via Amazon Message or e-mail us at : cs.us@costway.com


The remote control does not work.	1. The battery is not properly installed.	Make sure the battery is properly installed. Move the battery's transparent insulating piece away before using.
	2. Not pointing to the right position.	Aim the remote control at the receiver.
	3. Have an obstacle in front of the machine.	Remove objects that may be in the way. Items between the remote control and the remote control receiver will block the signal.
	4. Press the remote control buttons too quickly.	Don't press the remote control buttons too quickly. Give the unit time to respond to your commands.

There is an odor coming from the heater.
The heater may emit a slight, harmless odor when first used. This is a normal condition caused by initial heating of the internal parts and will not occur again.

NOTE: For the most of functional problems, you can unplug the plug, wait for 10 minutes and plug it again, the machine will reset to the initial status (product originals).

If the problem is still not solved, feel free to contact us

7.0 MAINTENANCE

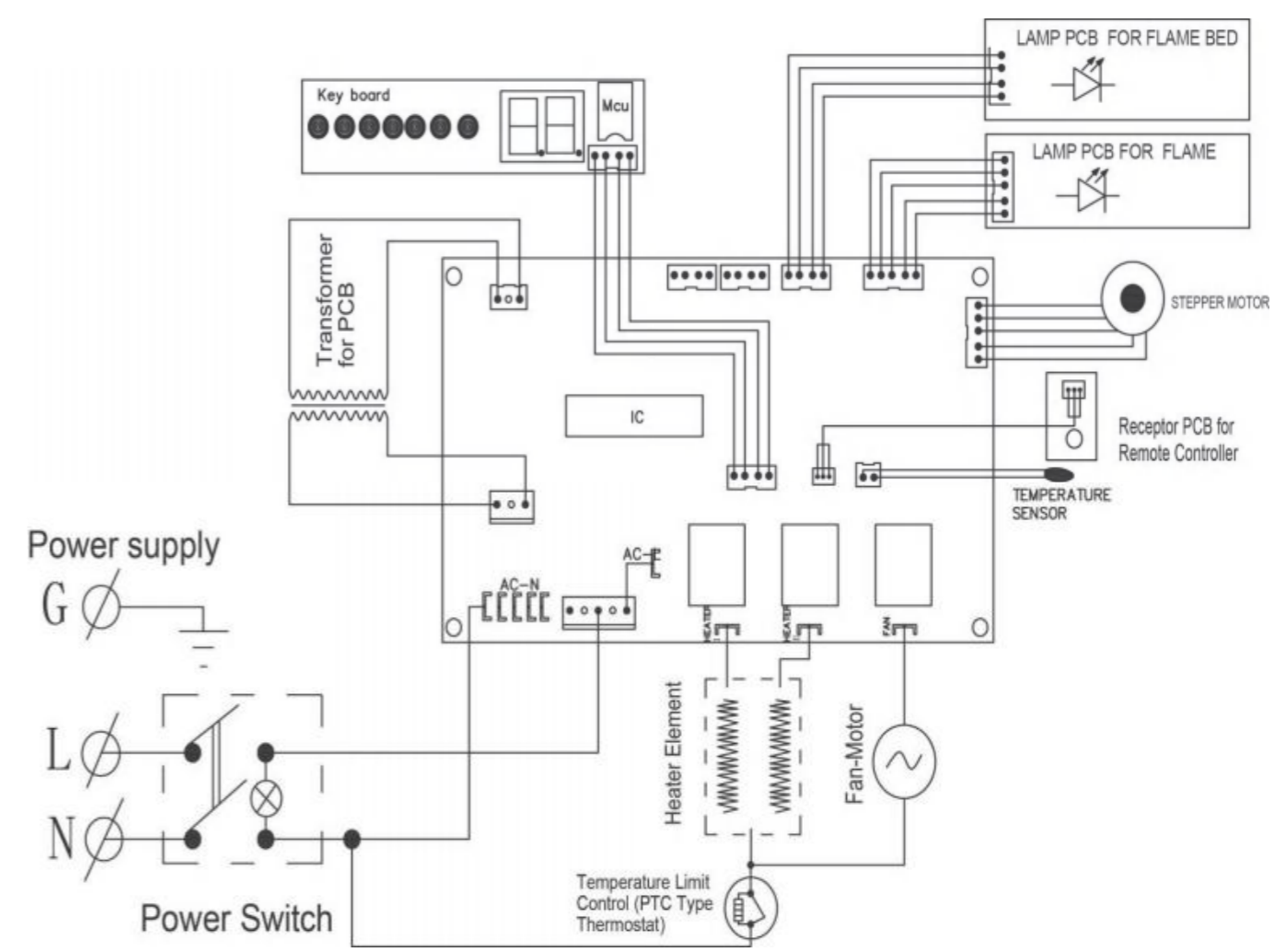
 DISCONNECT POWER AND ALLOW HEATER TO COOL BEFORE ATTEMPTING ANY MAINTENANCE OR CLEANING TO REDUCE THE RISK OF FIRE, ELECTRIC SHOCK OR DAMAGE TO PERSON. THE FIREPLACE SHOULD NOT BE OPERATED WITH AN ACCUMULATION OF DUST OR DIRT ON OR IN THE UNIT, AS THIS CAN CAUSE A BUILD UP OF HEAT AND SUBSEQUENT EVENTUAL DAMAGE. FOR THIS REASON THE HEATER MUST BE INSPECTED REGULARLY, DEPENDING ON CONDITIONS AND AT LEAST AT YEARLY INTERVALS.

7.1 PARTIALLY REFLECTIVE GLASS CLEANING

The partially reflective glass is cleaned in the factory during the assembly operation. During shipment, installation, handling, etc., the partially reflective glass may collect dust particles; these can be removed by dusting lightly with a clean dry cloth.

To remove fingerprints or other marks, the partially reflective glass can be cleaned with a damp cloth. The partially reflective glass should be completely dried with a lint-free cloth to prevent water spots. To prevent scratching, do not use abrasive cleaners.

7.2 SCHEMATIC DIAGRAM



8.0 LIMITED WARRANTY

This warrants to the original purchaser that this product is free from defects in material and workmanship as of the date of purchase and that it will, under normal use and proper care, remain so for one year from the date of purchase. Missing or initially defective parts will be replaced free of charge during the period of this limited warranty. If parts are unavailable, comparable replacement or refund will be given. **The original dated sales receipt is required for all warranty claims.** This warranty does not cover damage which has occurred during transport from the point of purchase to the consumer's home. This warranty does not cover glass, light bulbs, batteries, transportation, labor, or other issues not associated with the manufacture of the product.

This product is for residential use only. Any and all commercial use of this product voids all warranties, and frees the manufacturer from all liability.

Read and understand all assembly and operating instructions, and all safety information and warnings, before use. The following will void this warranty: Damage caused from tampering with, modifying, or altering the fireplace insert in any manner; Damage due to incorrect assembly, improper care, misuse, or abuse; Damage from being used with the wrong power source; Water damage; Damage caused from this insert being used outdoors; Damage caused from this insert being used for excessive periods of time; Damage caused by the insert being used in a commercial application; Damage from use as a primary heat source; Other misuse or abuse not specifically listed herein.

This product is not intended to be used as a primary heat source. It is for supplemental heating purposes only.



- * Reward Points
- * Exclusive Customer Service
- * Personalized Recommendations
- * Permanent Shopping Cart
- * Order History

5 Star Rating



We would like to extend our heartfelt thanks to all of our customers for taking time to assemble this product and giving us valuable feedbacks.



Thank you for purchasing this product! If you have questions about assembly or operation of this product, are missing parts, or if the product is damaged, please contact us