

OWNER MANUAL



10 : 00

estimated
assembly time



1 or more

people required

Ok, let's
get started!



- Put on mood music!
- To prevent damage to product, use the clean side of package carton or rug as working surface.
- In the event of missing or damaged parts, delivery problems etc., please reach out to our team. We will be happy to fix the problem!

care guide

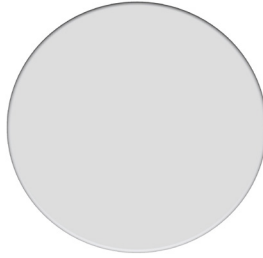
- Clean regularly with a soft and dry cloth.
- To protect finish, avoid use of abrasive cleaners.
- Wipe up spills immediately. Please!



ⓘ **While assembling the product, tighten the bolts up to 50%. Once all parts are in place, only then fully tighten the bolts.**



product parts



(A)
Table Top
x1



(B)
Leg
x1



(C)
Leg
x1

what's included



(D)-Metal Ring
x1



(E)- Allen Bolt (6x12mm)
x8



(F)-Allen key (4mm)
x1

OS

Orange sticker

GS

Green sticker

assembly instructions

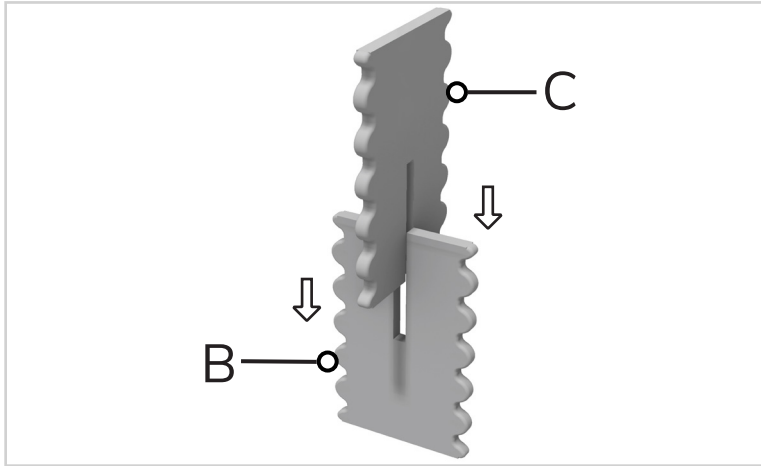
Friendly Tip: Take a deep breath going in. This may be a tricky part, but nothing too overwhelming. Just follow these steps to the T and the outcome will be worth it!



- ⓘ While assembling the product, tighten the bolts up to 50%. Once all parts are in place, only then fully tighten the bolts.

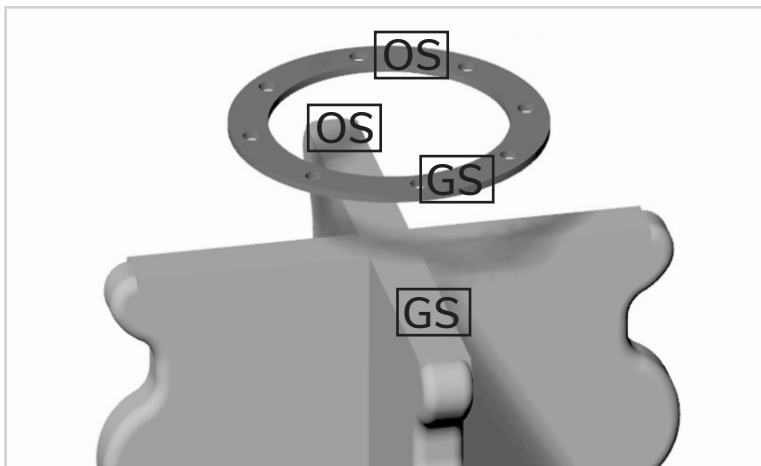
step 1:

Start by placing the leg (B) in an upright position and insert the other leg (C) into the cut-out slot of the other leg as shown in the image.



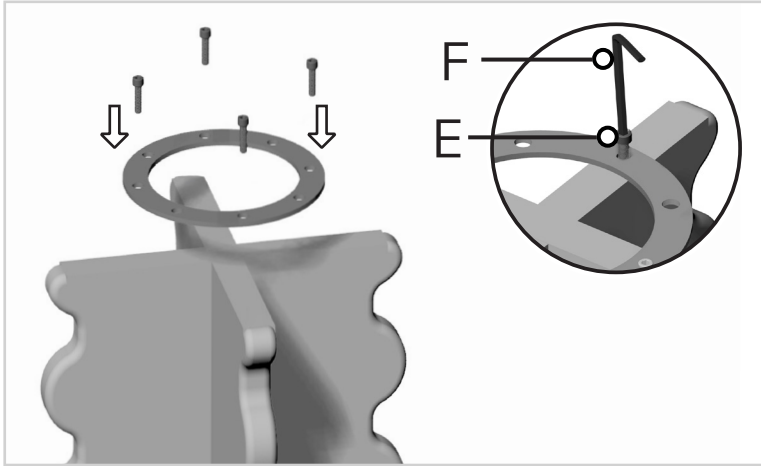
step 2:

Now, place the metal ring at the top of the leg so that the OS & GS on the ring align with their respective colors on the leg.



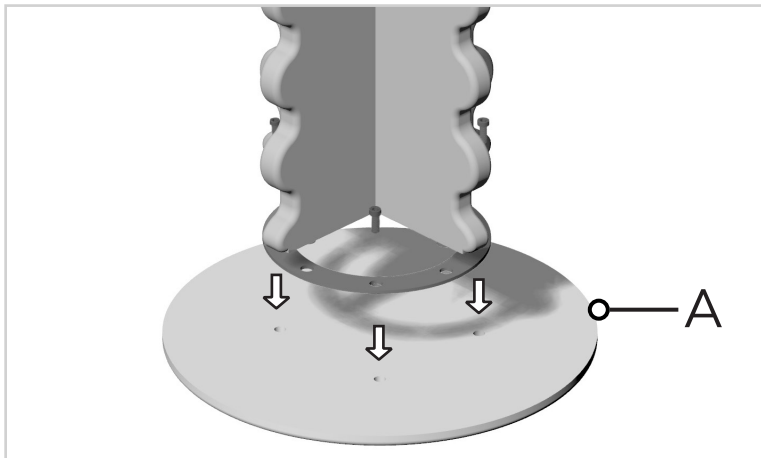
step 2:

Next, Insert bolts (E) in the slots to fix in place & tighten using an allen key (F).



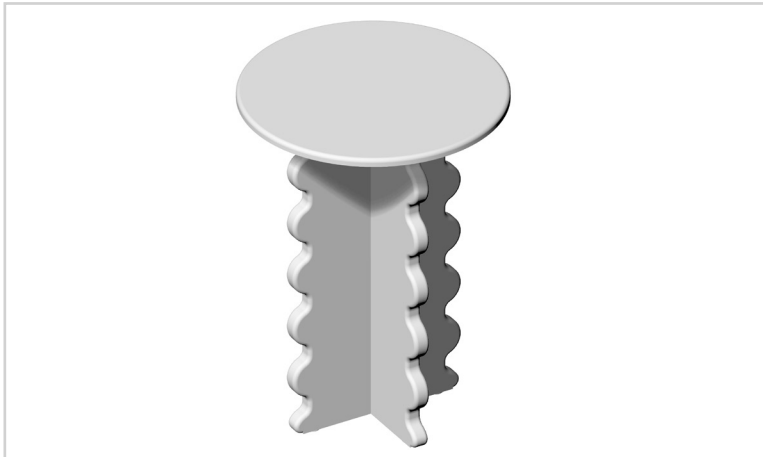
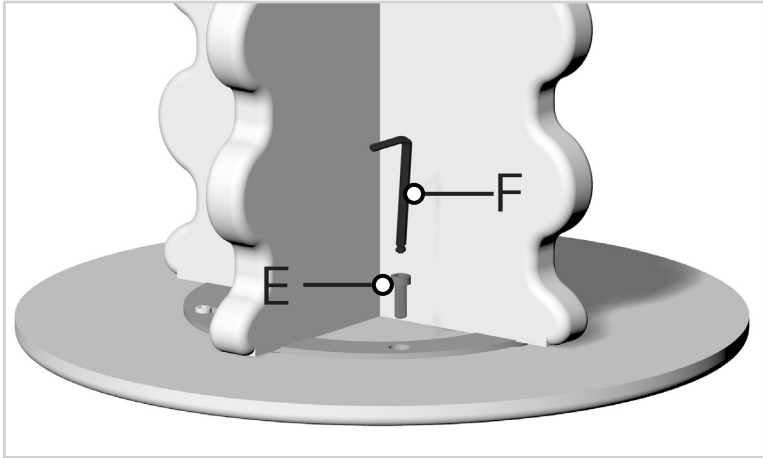
step 3:

Then, place the tabletop (A) upside down on a flat surface and align the slots on the legs with the slots on the top. Take the image below as a reference.



step 4:

Insert bolts (E) into the slots & tighten them using an allen key (F).



Voila! Your table is now assembled and secure!

you've
got
a home
with us

