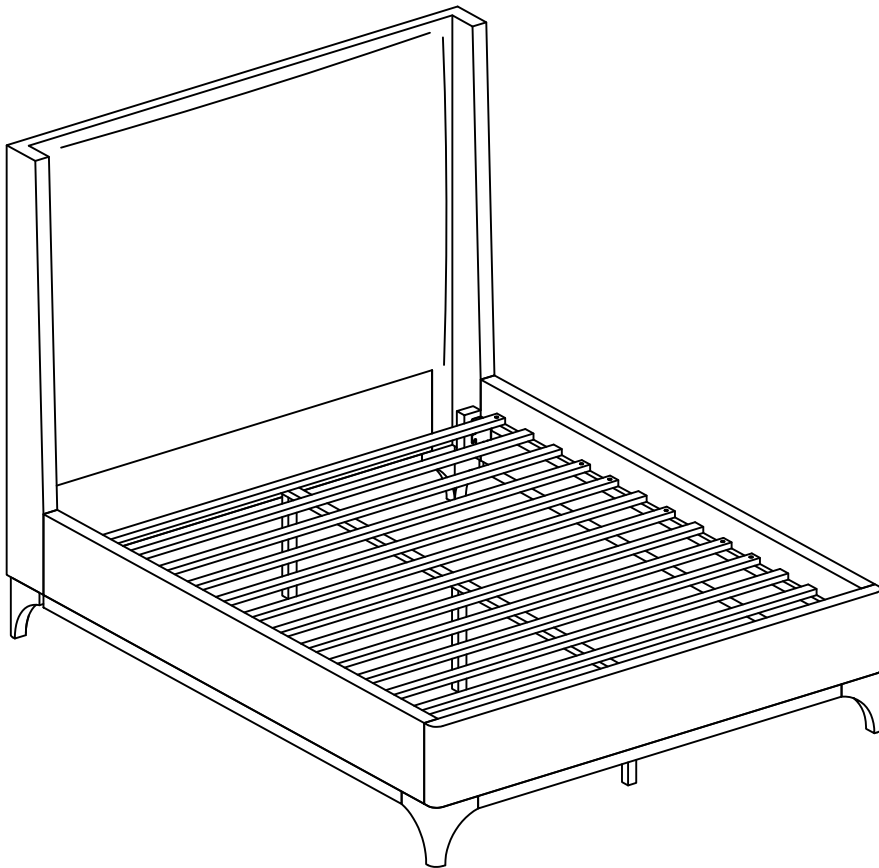


# ASSEMBLY INSTRUCTIONS

---



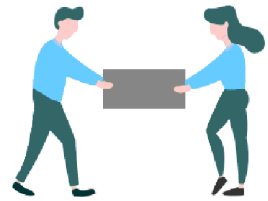
## TOOLS REQUIRED



Allen Wrench  
(Included)



Screwdriver  
(Not Included)



2 - People

## ASSEMBLY RATING



EASY —————> DIFFICULT

The Assembly Rating is a 5-point system showing the level of effort needed to assemble a specific product.



## **CHECK BEFORE STARTING**

### **Are you missing anything?**

Double-check all parts, hardware and accessories listed are all accounted for.

### **Check out our Quick Tips!**

We recommend reviewing the pre-assembly handouts. Even experts need a refresher now and then!

### **Should we send any replacements?**

Are there any irregularities or flaws in the parts? We can send replacements!

### **Prep Time!**

Please review the assembly instructions and all diagrams prior to assembling.

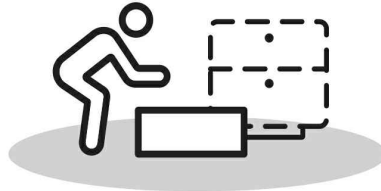
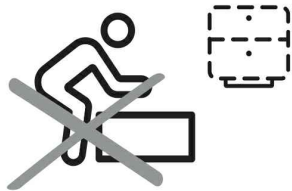
# PRE ASSEMBLY INTRODUCTION

We understand building ready-to-assemble furniture can be a challenging experience for some. To help avoid confusion, we have provided some helpful tips that may speed up the process.



## Teamwork

ALWAYS have at least two people to help with transporting and assembling the product to avoid potential injury and/or damage.



## Suitable Location

Assembling near the area of the intended location is highly recommended.



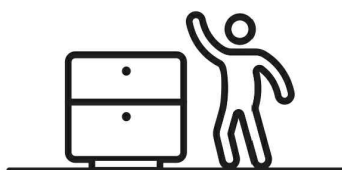
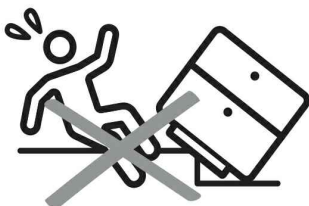
## Sufficient Space

Make sure you have enough space to move around during the assembly.



## Avoid Scratches

Use cardboard, blankets or a carpeted area while assembling furniture to prevent scratches and damages.



## Flat Surface

Make sure the furniture rests on a flat and level surface with each leg evenly touching the floor.

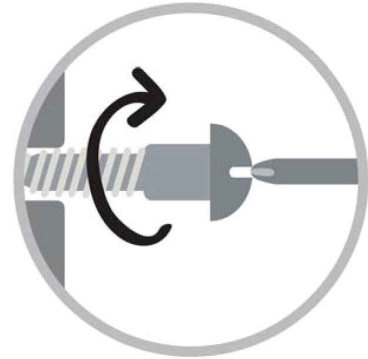
# ASSEMBLY AND CARE ADVICE



**FAILURE TO FOLLOW THE GUIDELINES BELOW MAY RESULT IN INJURY AND/OR PROPERTY DAMAGE.**



Position each part correctly and insert screws or bolts into their respective holes.



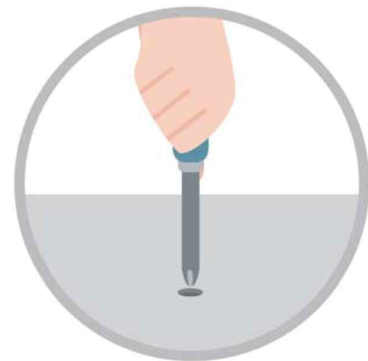
Turn clockwise to tighten and only tighten when step is completed or when instructed to do so.



Use the appropriate hand tools or power tools for assembly. Select steps, such as tightening screws and/or bolts, may require hand tools to avoid causing damage during assembly.



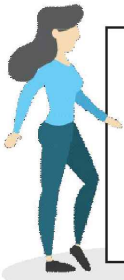
Save the instructions and store any supplied tools for later maintenance.



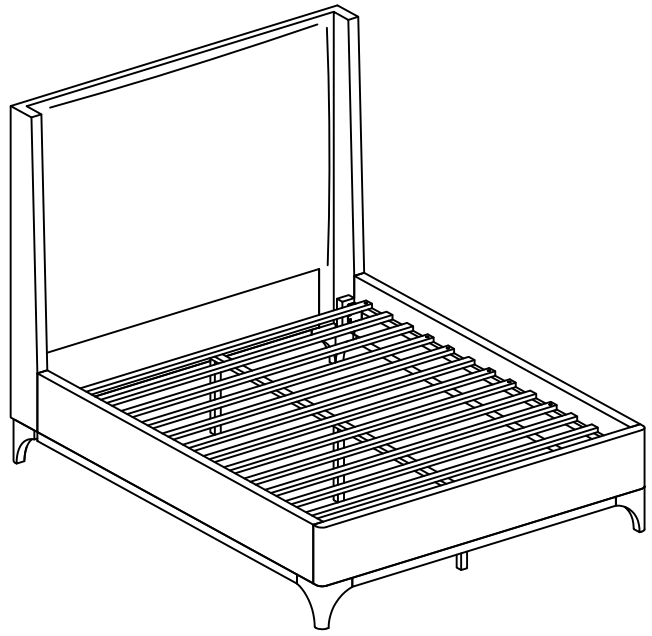
After two weeks, check and tighten any loose hardware and repeat again every six months thereafter.

**IT IS THE USER'S RESPONSIBILITY TO MAINTAIN THE FURNITURE. THE HARDWARE MAY LOOSEN OVER TIME AND MAY CAUSE THE FURNITURE TO BE WOBBLY AND UNABLE TO SUPPORT ITS INTENDED WEIGHT CAPACITY. THIS MAY LEAD TO COLLAPSE AND MAY CAUSE SERIOUS INJURY.**

# BED

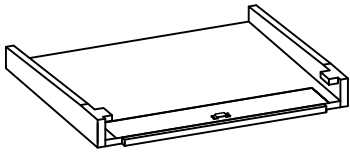


- Please keep instructions for future reference.
- Check the quantity and irregularity of parts and hardware before you start.



## PARTS

① 1 pc



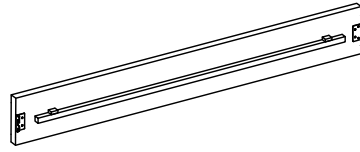
HEADBOARD

② 1 pc



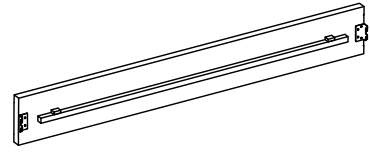
FOOTBOARD

③ 1 pc



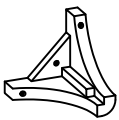
SIDE RAIL (LEFT)

④ 1 pc



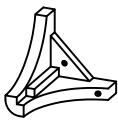
SIDE RAIL (RIGHT)

⑤ 2 pcs



HEADBOARD  
LEG

⑥ 2 pcs



FOOTBOARD  
LEG

⑦ 3 pcs



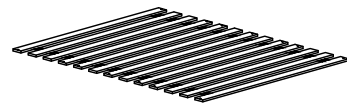
SUPPORT LEG

⑧ 1 pc



CENTER WOOD  
SUPPORT

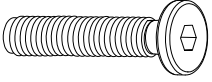
⑨ 13 pcs



SLAT

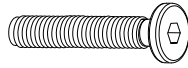
## HARDWARE

Ⓐ 3 pcs



JCBC M6 X 50MM

Ⓑ 10 pcs



JCBC M4 X 60MM

Ⓒ 10 pcs



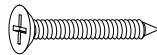
SPRING WASHER M4

Ⓓ 10 pcs



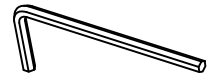
FLAT WASHER M4

Ⓔ 14 pcs



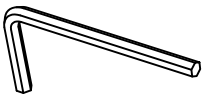
CSK SCREW M4 X 32MM

Ⓕ 1 pc

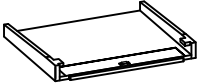

















ALLEN KEY M4

Ⓖ 1 pc



ALLEN KEY M5

Carton	Designation			Hardware
01	HEADBOARD	1		 A X 3pcs  B X 10pcs  C X 10pcs  D X 10pcs  E X 14pcs  F X 1pcs  G X 1pcs
	FOOTBOARD	1		
	HEADBOARD LEG	2		
	FOOTBOARD LEG	2		
	SUPPORT LEG	3		
	CENTER WOOD SUPPORT	13		
02	SIDE RAIL (LEFT)	1		
	SIDE RAIL (RIGHT)	1		
	CENTER WOOD SUPPORT	1		

# ASSEMBLY INSTRUCTIONS

## 1

Part #1 x 1pc

Part #2 x 1pc

Part #5 x 2pcs

Part #6 x 2pcs

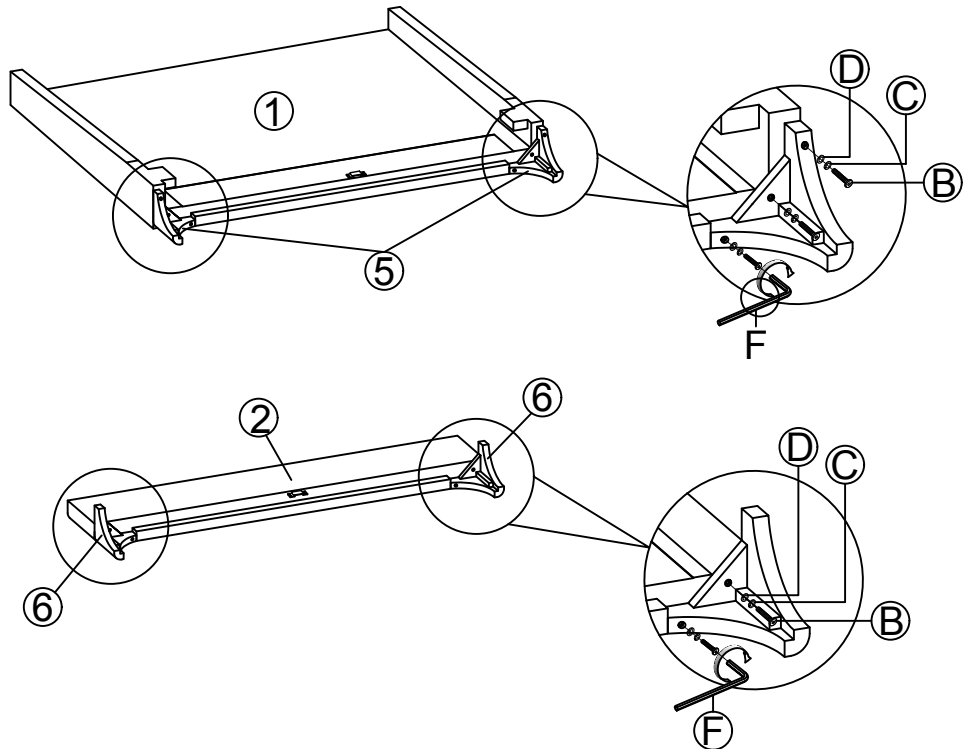
Part #9 x 1pc

Hardware #B x 10pcs

Hardware #C x 10pcs

Hardware #D x 10pcs

Hardware #F x 1pc



## 2

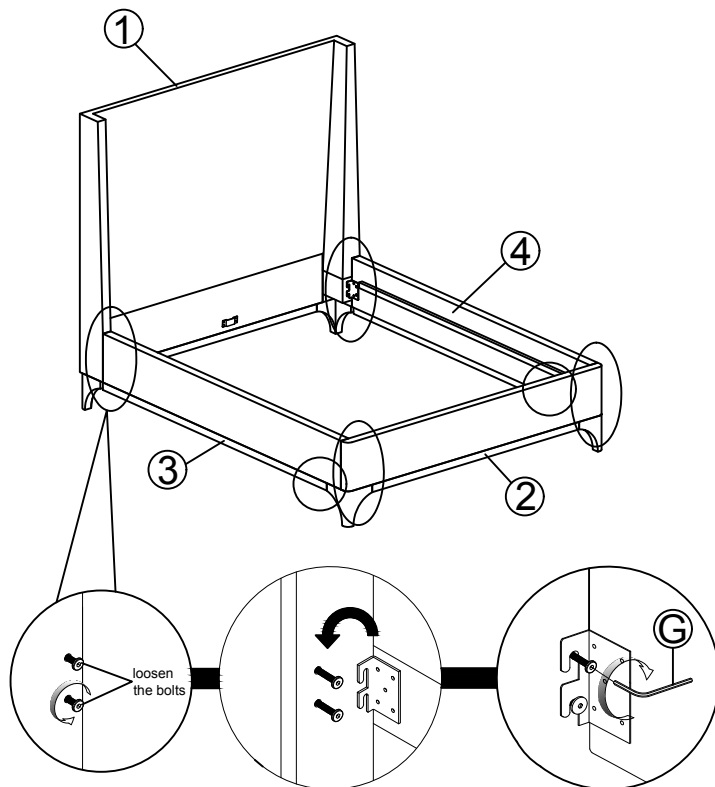
Part #1 x 1pc

Part #2 x 1pc

Part #3 x 1pc

Part #4 x 1pc

Hardware #G x 1pc



# ASSEMBLY INSTRUCTIONS

## 3

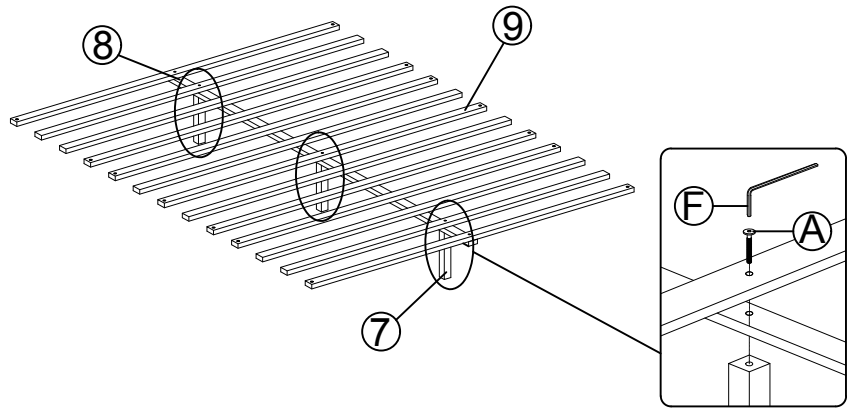
Part #7 x 3pcs

Part #8 x 1pc

Part #9 x 13pcs

Hardware #A x 3pcs

Hardware #F x 1pc

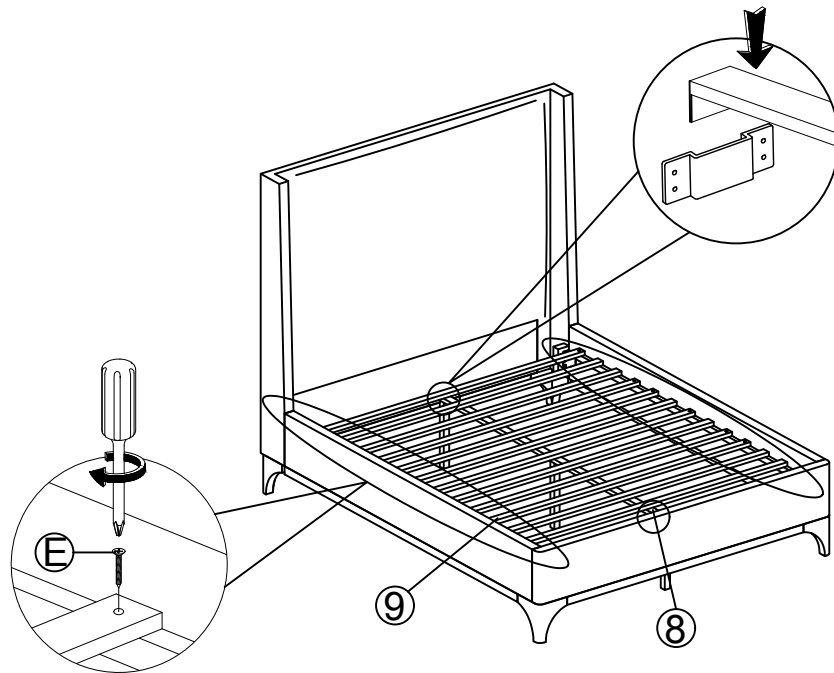


## 4

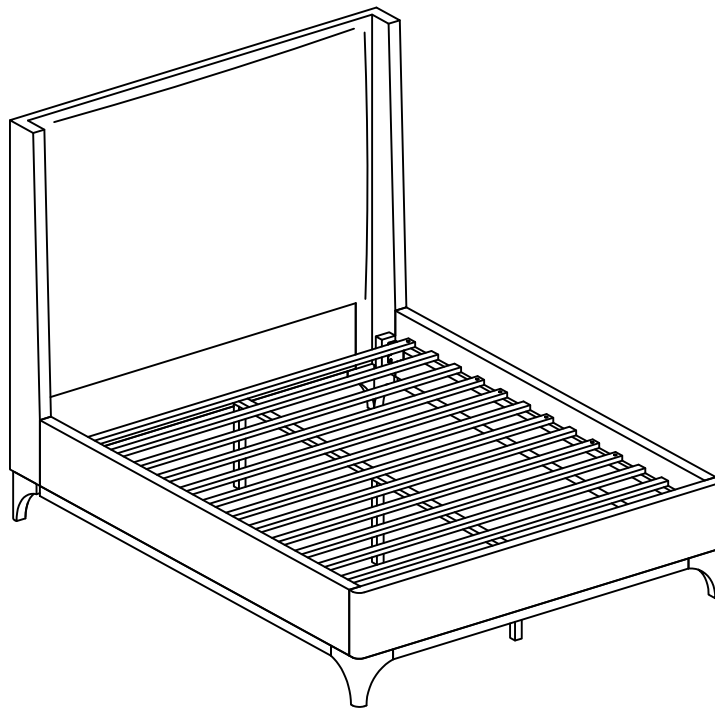
Part #8 x 1pc

Part #9 x 13pcs

Hardware #E x 14pcs



# ASSEMBLY INSTRUCTIONS



## ASSEMBLY COMPLETED

Please ensure the furniture rests on an even and flat surface. If the product wobbles or feels loose, double-check all bolts and/or screw are properly tightened and secured.



### ✓ **Keep this handy!**

Please retain this instruction manual and any order-related information for future reference.

### ✓ **Lift, don't drag!**

To avoid damage to product please always LIFT the product when transporting or adjusting the placement.

---

This product is intended for RESIDENTIAL USE ONLY and not for commercial use.