

**IMPORTANT
FOR DOMESTIC USE ONLY**

PLEASE READ BEFORE YOU CONTINUE FURTHER

CARE AND MAINTENANCE

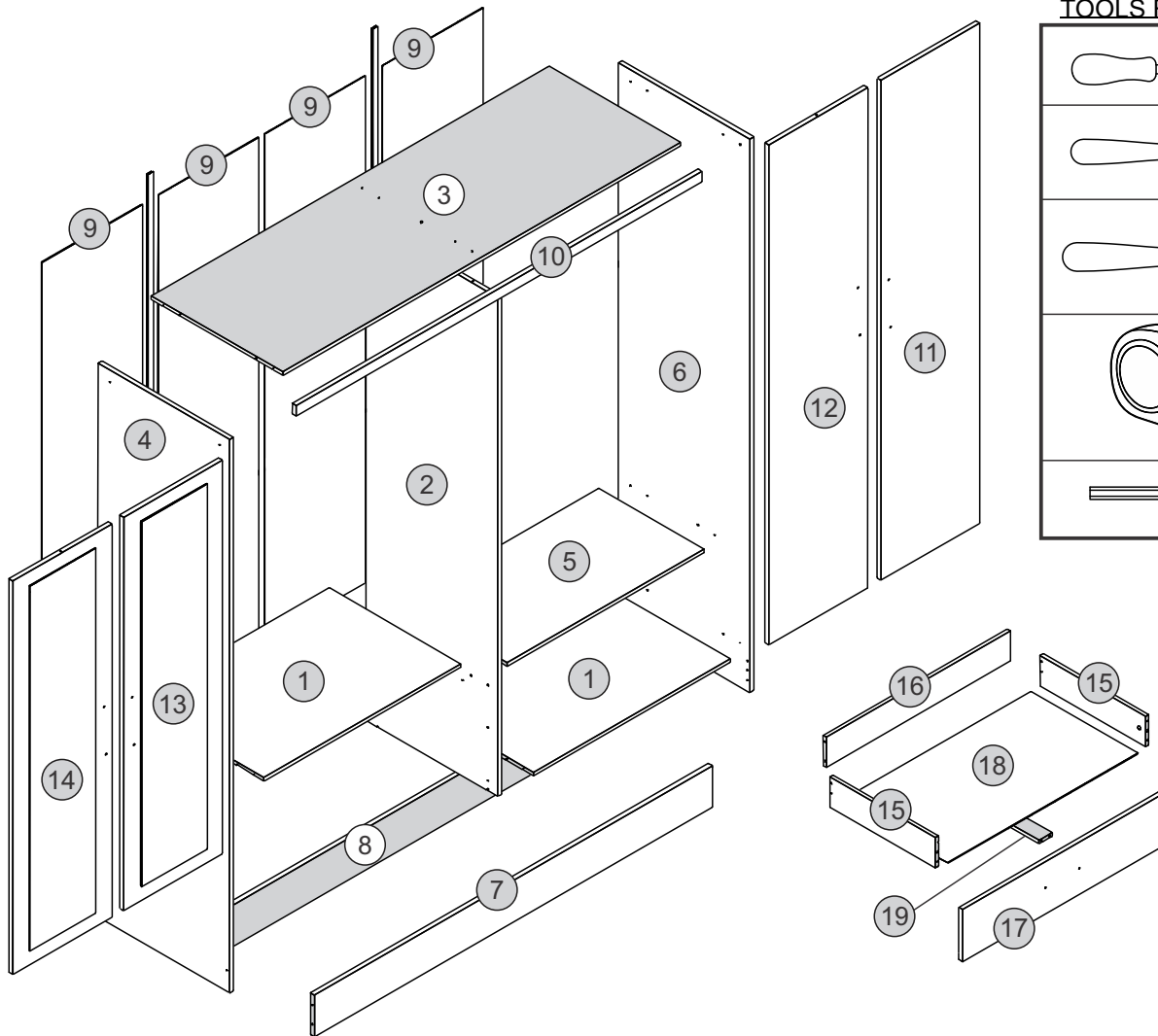
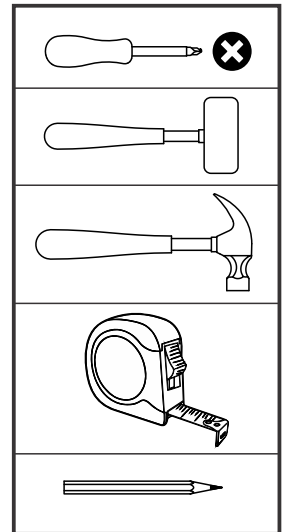
After unpacking this product please keep the original packaging in case it needs to be returned for any reason.

- Please ensure all fittings and parts are present before commencing with assembly.
- Never drag or push products as this could cause damage to the joints making it inferior.
- We strongly recommend that you keep children away from your work area.
- We recommend that you lay a blanket or sheet on the floor to avoid damage to both your floor and the product.
- Assemble this product as close to its final position as possible.
- Do not place this product next to a radiator or in direct sunlight.
- Do not drag or push items across your high gloss furniture as this may cause the surface to scratch
- Wood is a natural product and may expand if subjected to damp and may shrink or crack if subjected to heat.

Therefore it is recommended that room temperature is maintained, with no sudden temperature fluctuations.

- Make sure any spillage is wiped off immediately.
- Do not place hot or chilled items directly on to the surface, use a place mat or marking will occur.
- For general cleaning use a soft cotton or micro fibre cloth, and do not use detergents of any kind.
- From time to time it may be necessary to tighten fittings, regular inspections should be carried out.
- Do not place on a wet or damp floor as staining may occur to your floor.


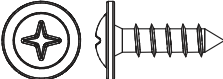

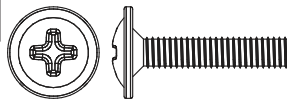
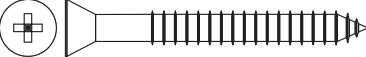
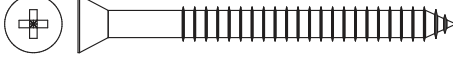


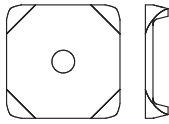
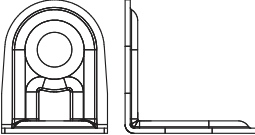

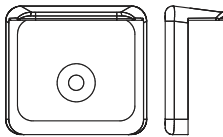
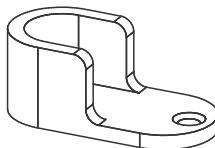

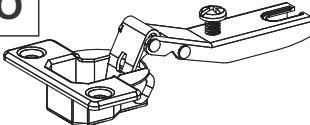

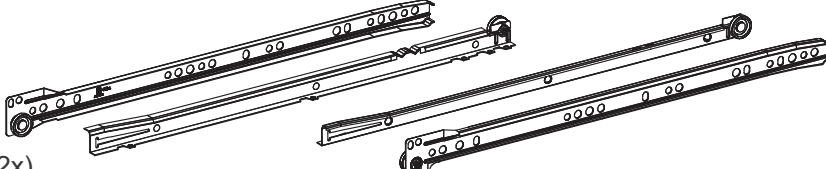
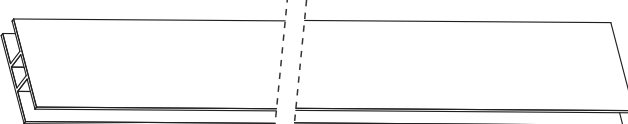




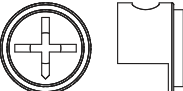
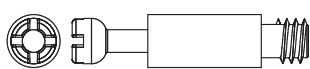
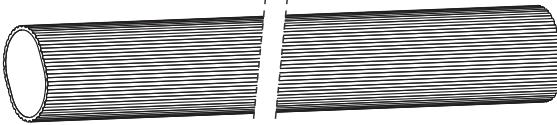

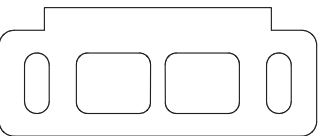
TOOLS REQUIRED



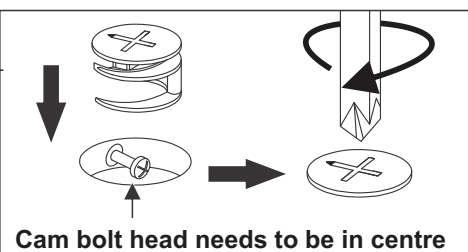
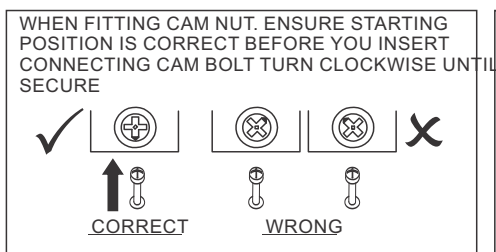
Please Note:
The below parts have all been stamped with the part number to help identify them during assembly.

Part Number	Part Code	Part Description	Quantity	Carton
01		Base Panel	2	2/3
02		Division Panel	1	2/3
03		Top Panel	1	2/3
04		Left Side Panel	1	1/3
05		Shelf	1	1/3
06		Right Side Panel	1	1/3
07		Front Baseboard	1	2/3
08		Back Baseboard	1	2/3
09		Back Panel	4	2/3
10		Frame	1	2/3
11		Right Large Door	1	3/3
12		Left Large Door	1	3/3
13		Right Small Door	1	3/3
14		Left Small Door	1	3/3
15		Drawer Side	4	1/3
16		Drawer Back Panel	2	1/3
17		Drawer Front	2	2/3
18		Drawer Bottom	2	2/3
19		Drawer Bottom Support Bar	2	2/3

FITTINGS LIST

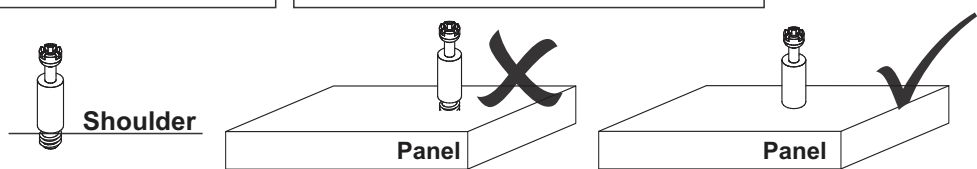
A  Flat Head Screw Ø6,0 x 10mm (8x) +/1	B  Flan Head Screw Ø4,0 x 14mm (12x) +/2	C  Flat Head Screw Ø4,0 x 14mm (68x) +/2	D  Flan Head Screw Ø4,0 x 22mm (12x) +/2
E  Flat Head Screw Ø3,5 x 40mm (4x) +/1	F  Flat Head Screw Ø4,0 x 50mm (26x) +/2	G  Dowel Ø6,0 x 30mm (46x) +/2	
H  Nail 10 x 10 (100x) +/2	I  Back Panel Bracket (16x) +/2	J  'L' Metallic Support (10x) +/2	K  Washer (4x) +/1
L  Plastic Foot (6x) +/1	M  Hanging Rail Support (4x)	N  Flan Head Screw Ø3,5 x 30mm (2x) +/1	O  Hinge (12x)
P  Hinge Plate (12x)	Q  Drawer Runners (2x)		
R  Back Panel Strip (2x)	S  Strap (2x)	T  Handle (6x)	
U  Hole Plugs (30x) +/2	V  Glue (2x)	W  Cam Nut (4x) +/1	X  Cam Bolt (4x) +/1
Y  Hanging Rail (2x)	Z  Flat Head Screw Ø4,0 x 12mm (28x) +/2	A1  Door Support (4x)	

TIPS FOR FITTINGS CAM-LOCKS



CAMBOLT

Tighten until shoulder in flush with panel. Do not overtighten or undertighten (see example beside)



STEP 1

PARTS REQUIRED

4 - LEFT SIDE PANEL x1

HARDWARE REQUIRED

C  08
Ø4,0 x 14mm

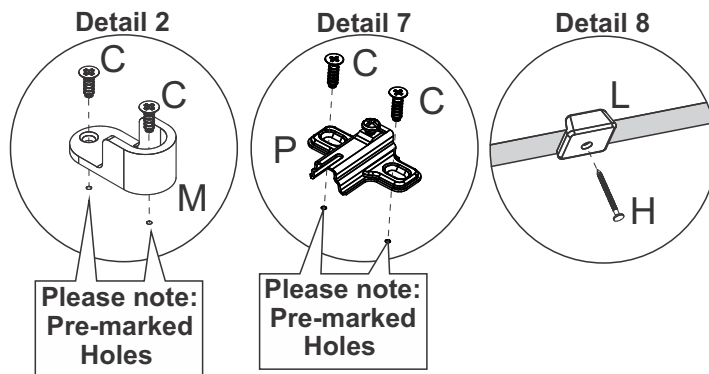
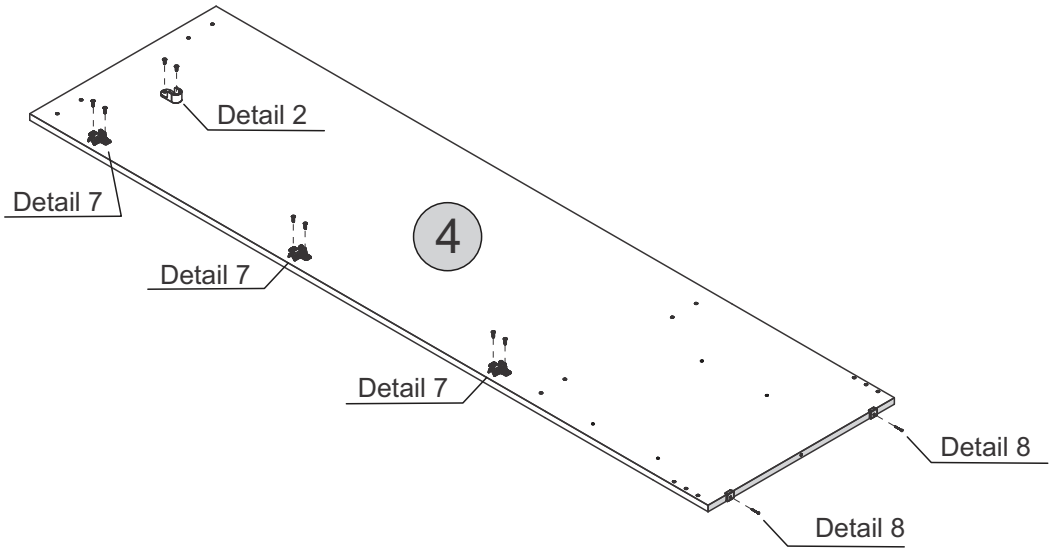
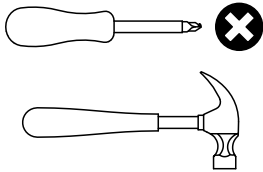
H  02

L  02

M  01

P  03

TOOLS REQUIRED



Please note:
Pre-marked
Holes


Please note:
Pre-marked
Holes

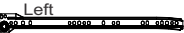
STEP 2

PARTS REQUIRED

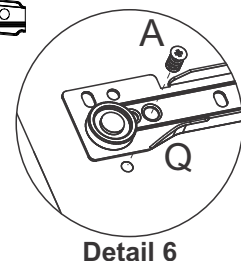
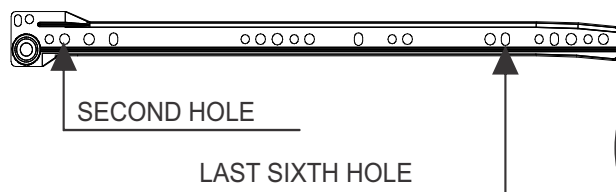
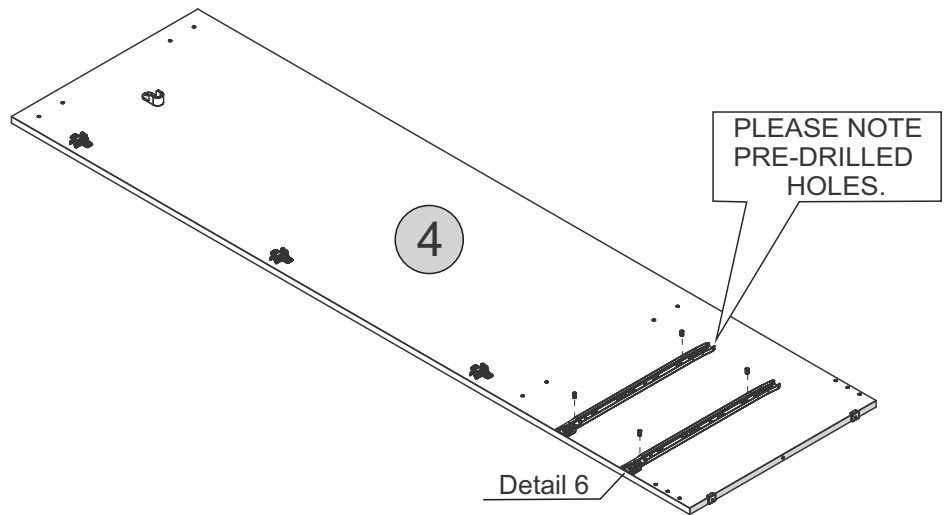
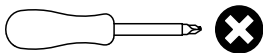
4 - LEFT SIDE PANEL x1

HARDWARE REQUIRED

A  04
Ø6,0 x 10mm

Q  02
Left

TOOLS REQUIRED



STEP 3

PARTS REQUIRED

2 - DIVISION PANEL x1


HARDWARE REQUIRED

C  08
Ø4,0 x 14mm

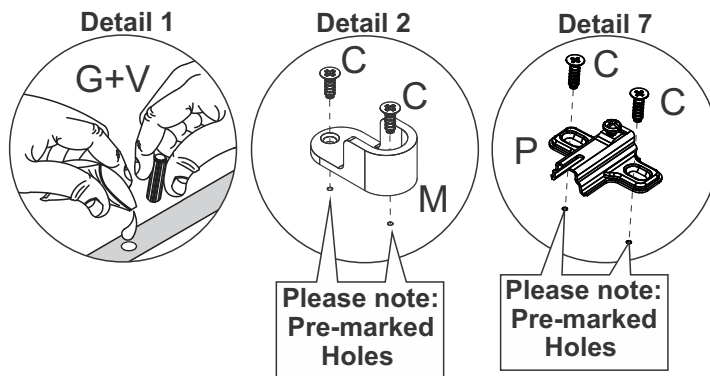
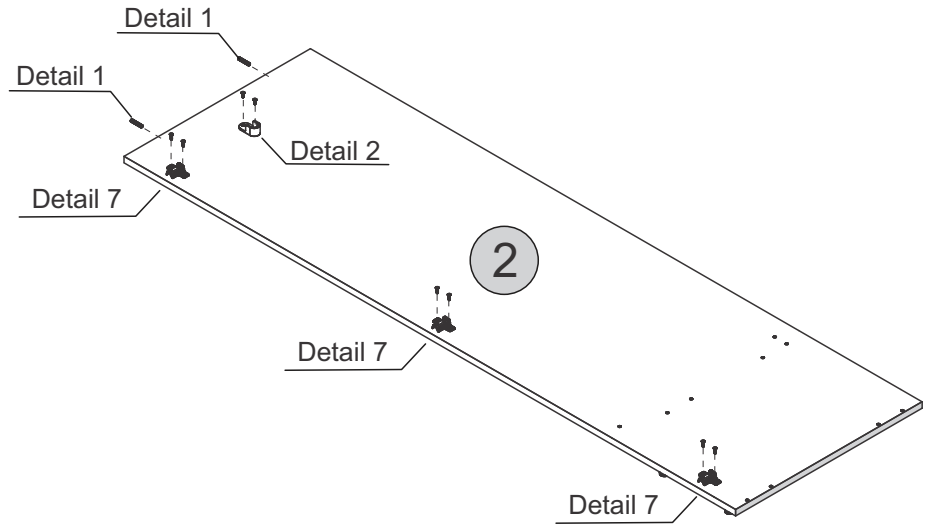
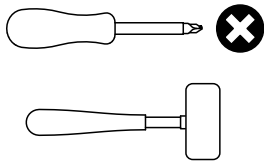
G  02
Ø6,0 x 30mm

M  01

P  03

V  01
Glue

TOOLS REQUIRED



STEP 4

PARTS REQUIRED

2 - DIVISION PANEL x1

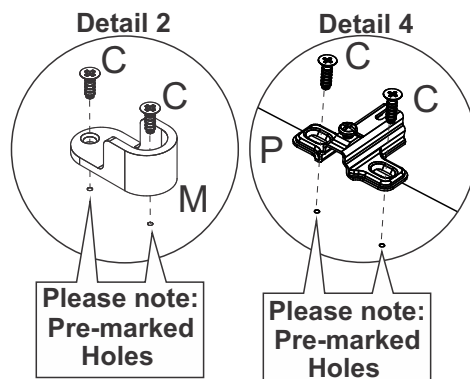
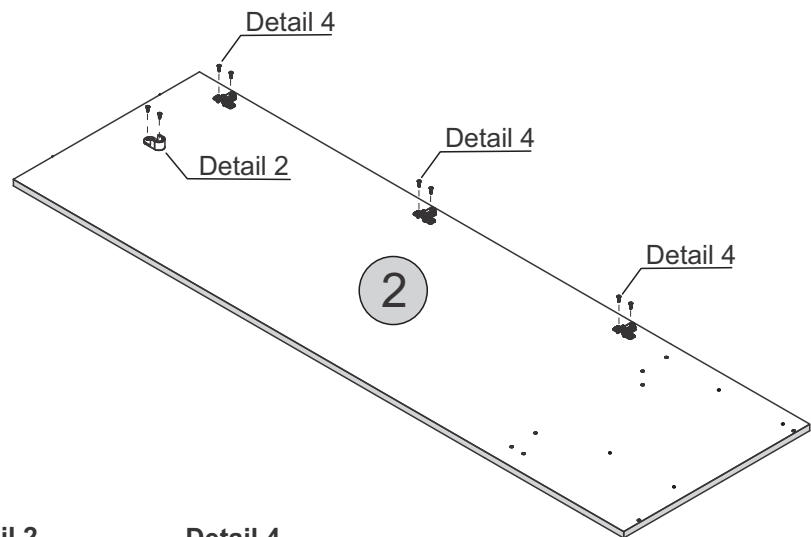
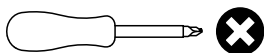
HARDWARE REQUIRED

C  08
Ø4,0 x 14mm

M  01

P  03

TOOLS REQUIRED




STEP 5

PARTS REQUIRED

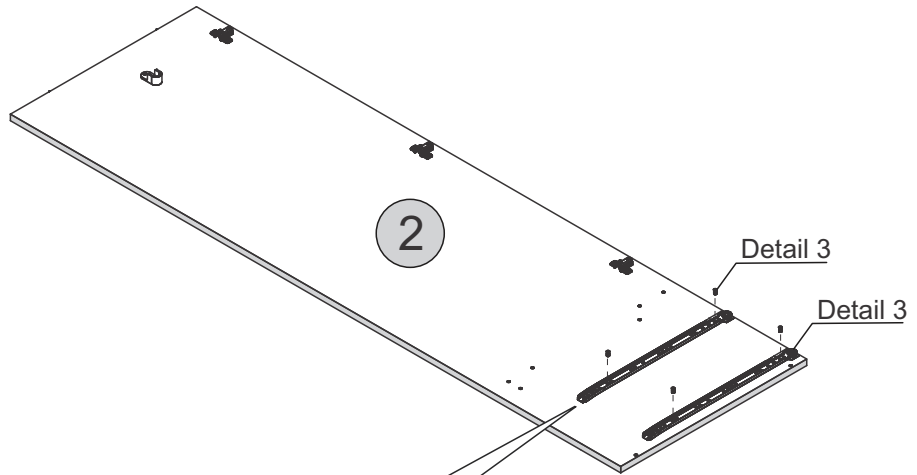
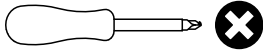
2 - DIVISION PANEL x1

HARDWARE REQUIRED

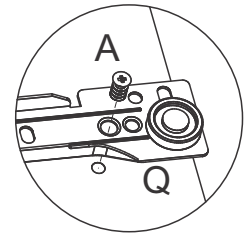
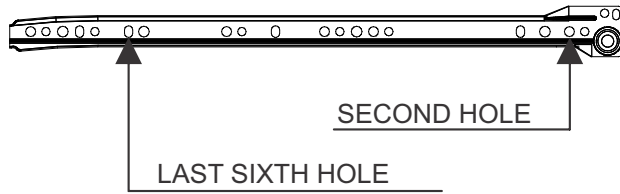
A  04
Ø6,0 x 10mm

Q  02
Right

TOOLS REQUIRED



PLEASE NOTE
PRE-DRILLED
HOLES.



Detail 3

STEP 6

PARTS REQUIRED

6 - RIGHT SIDE PANEL x1

HARDWARE REQUIRED

C  08
Ø4,0 x 14mm

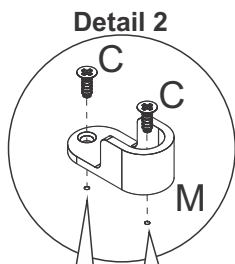
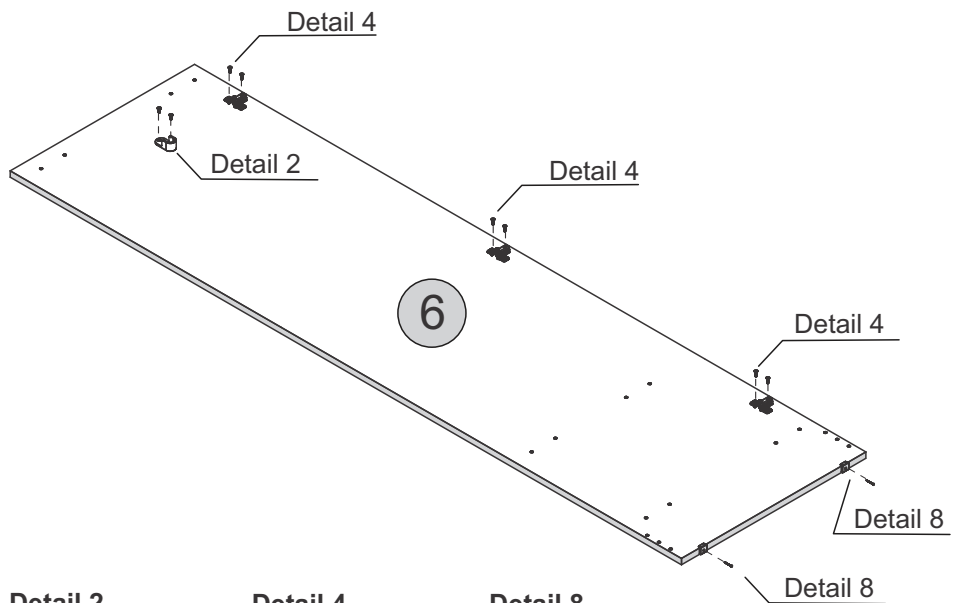
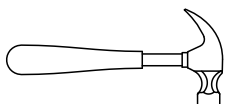
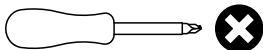
H  02

L  02

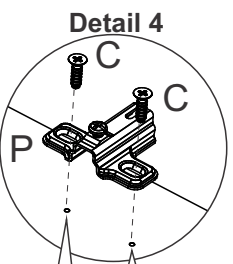
M  01

P  03

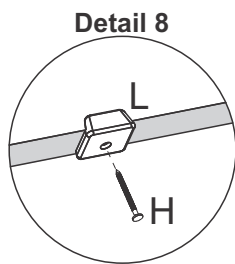
TOOLS REQUIRED



Please note:
Pre-marked
Holes



Please note:
Pre-marked
Holes



STEP 7

PARTS REQUIRED


7 - FRONT BASEBOARD x1

8 - BACK BASEBOARD x1

HARDWARE REQUIRED

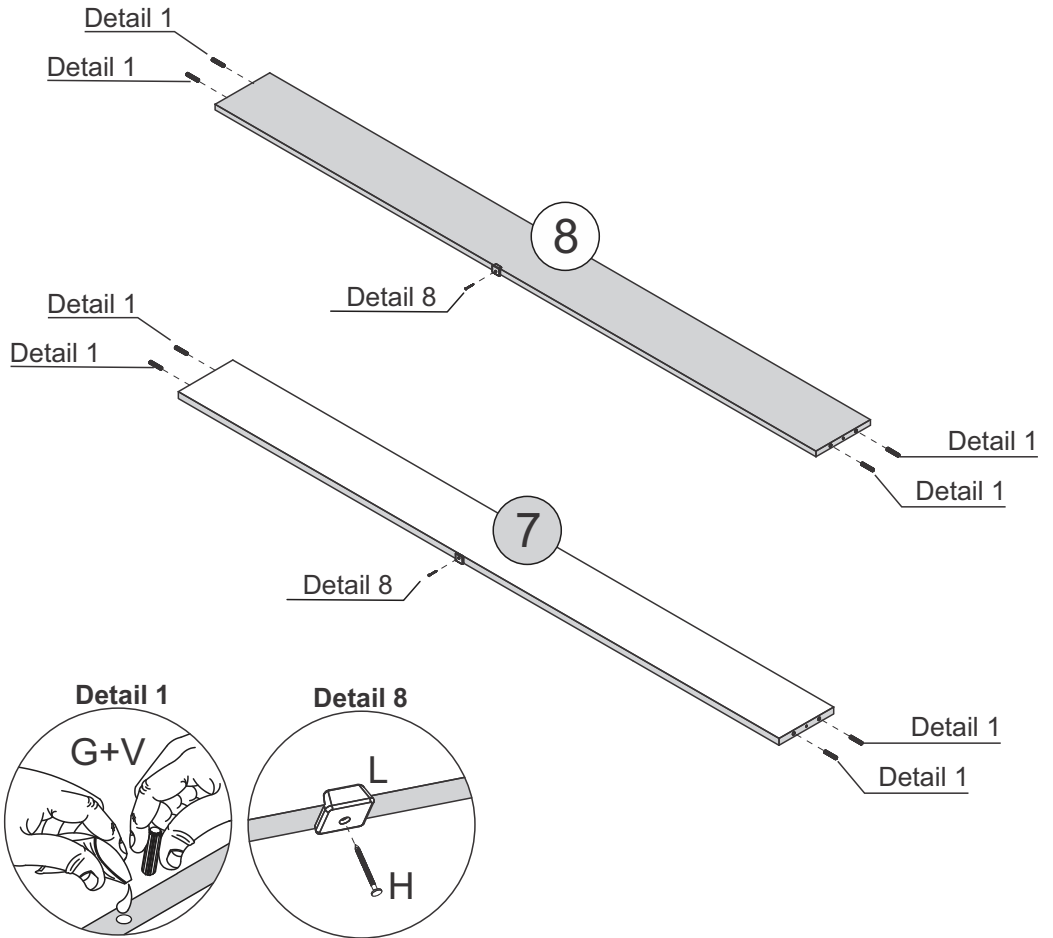
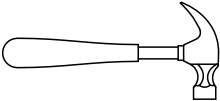
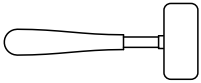
H  02

L  02

G  08
Ø6,0 x 30mm

V  01

TOOLS REQUIRED




STEP 8

PARTS REQUIRED

1 - BASE PANEL x2

5 - SHELF x1

HARDWARE REQUIRED

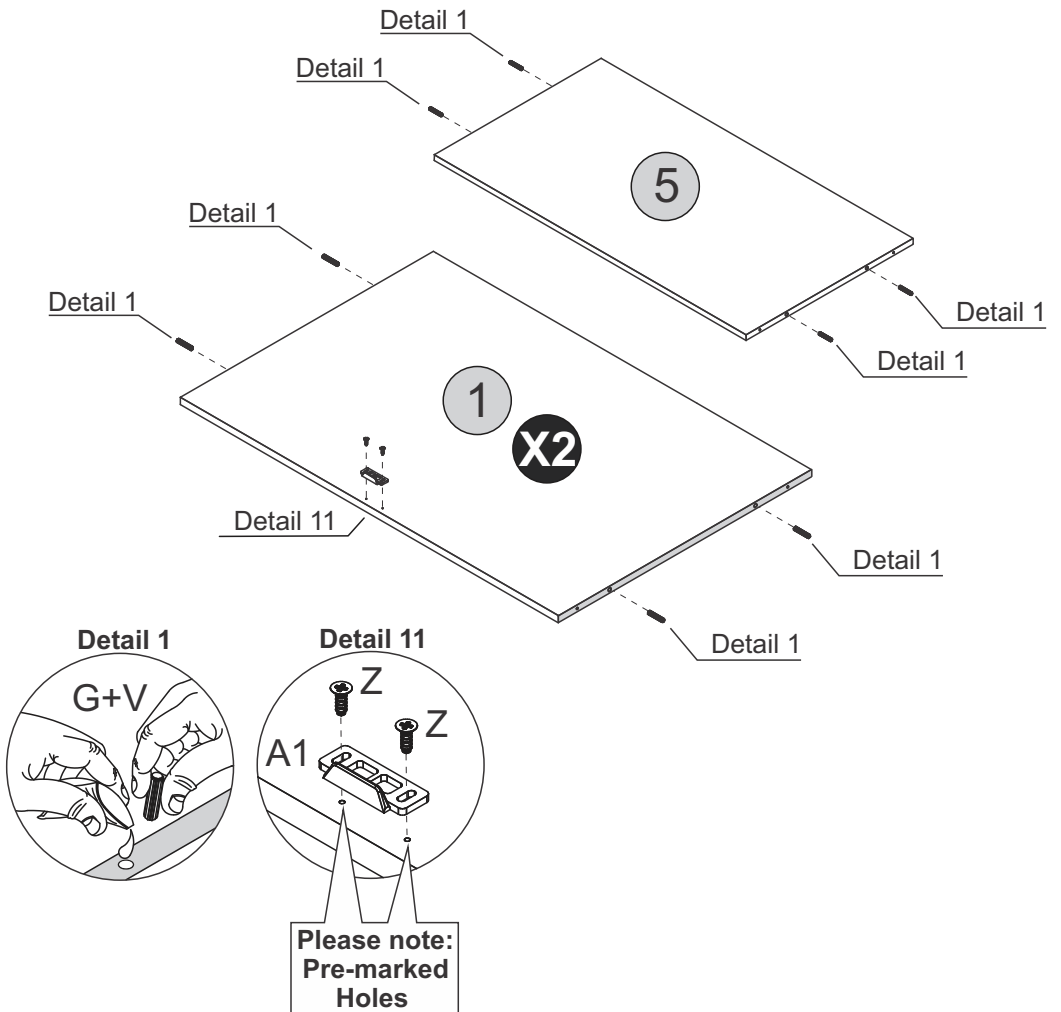
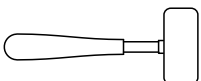
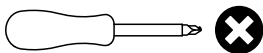
G  12
Ø6,0 x 30mm

V  01

Z  04
Ø4,0 x 12mm

A1  02

TOOLS REQUIRED



STEP 9

PARTS REQUIRED

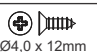
3 - TOP PANEL x1

HARDWARE REQUIRED

G  04
Ø6,0 x 30mm

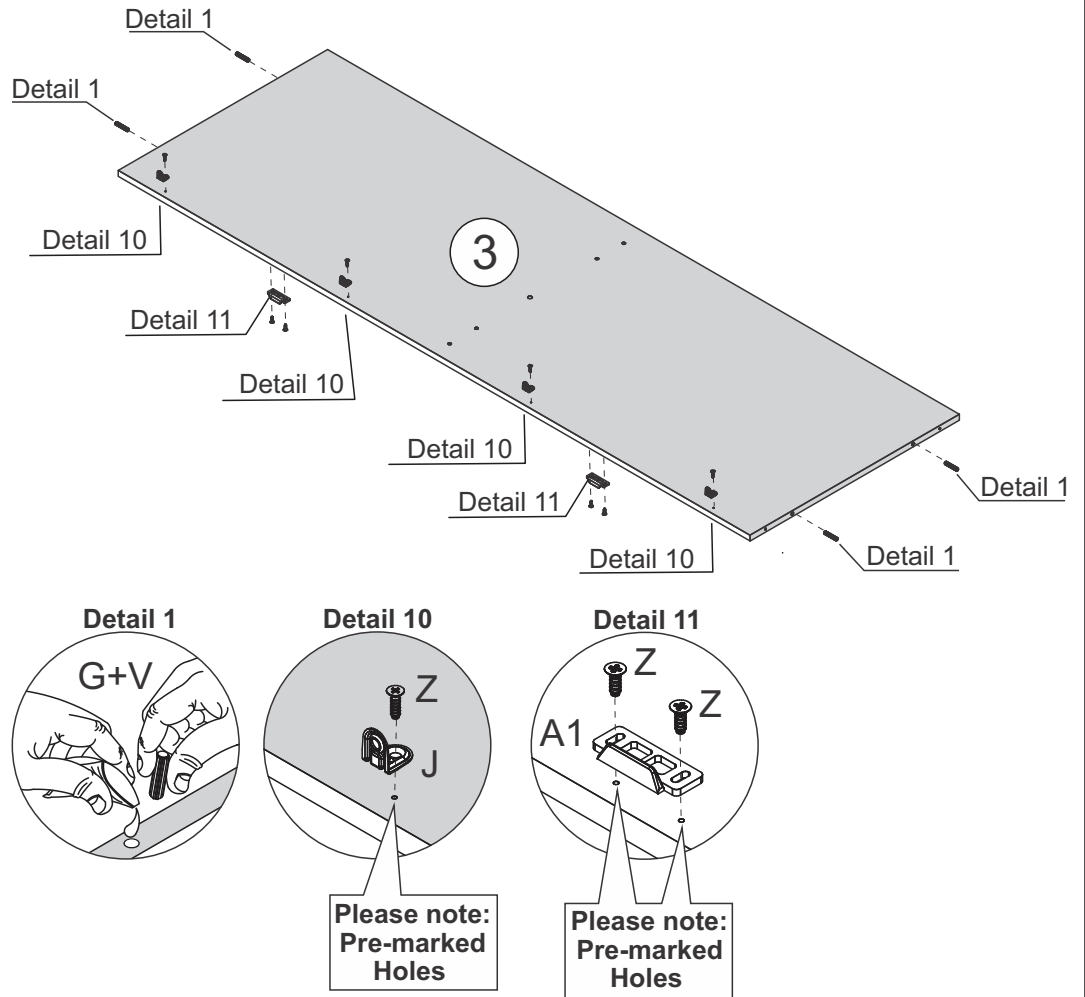
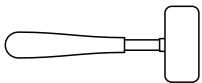
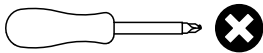
J  04

V  01

Z  08
Ø4,0 x 12mm

A1  02

TOOLS REQUIRED



STEP 10

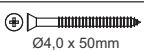
PARTS REQUIRED

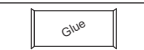
1 - BASE PANEL x2

2 - DIVISION PANEL x1

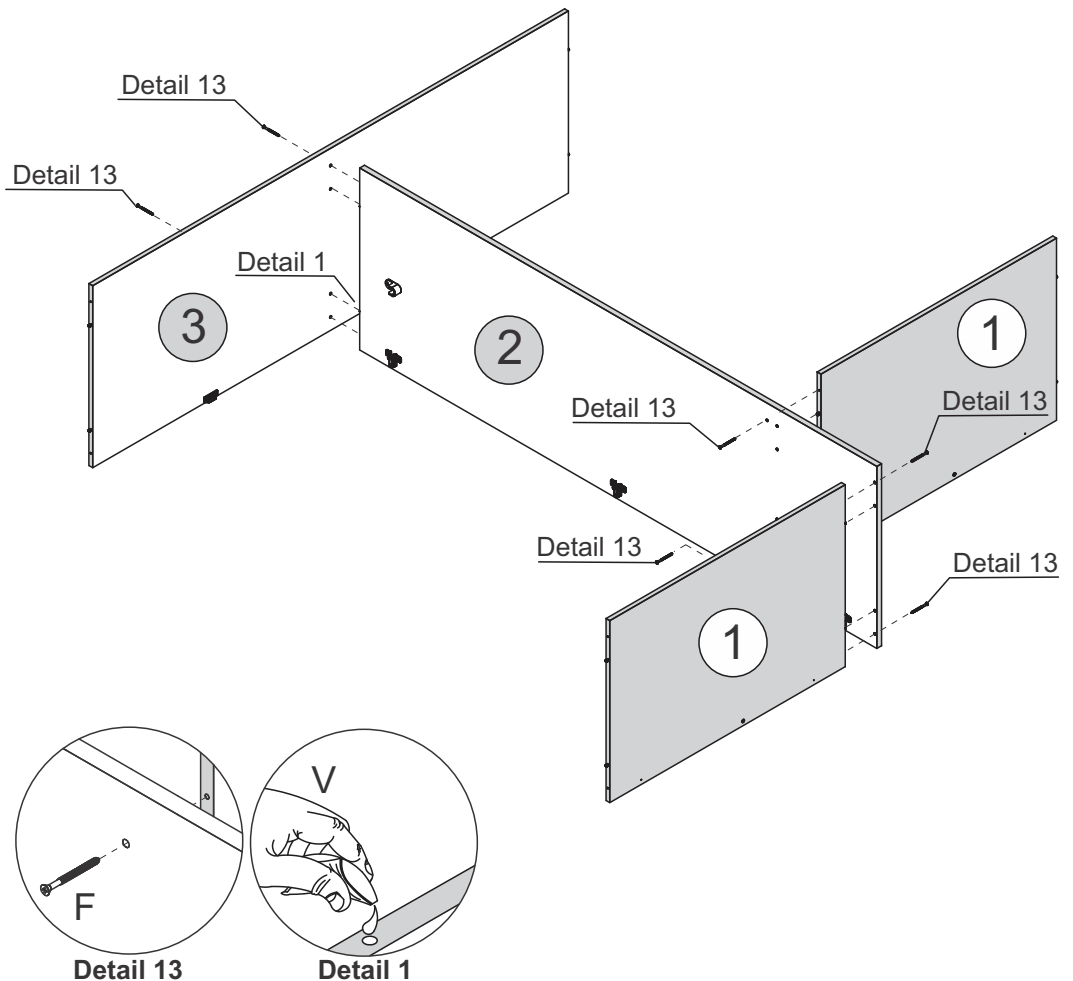
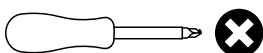
3 - TOP PANEL x1

HARDWARE REQUIRED

F  06
Ø4,0 x 50mm

V  01

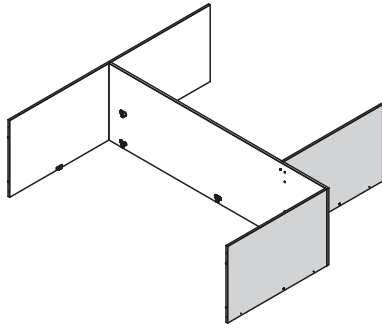
TOOLS REQUIRED




STEP 11

PARTS REQUIRED

4 - LEFT SIDE PANEL x1

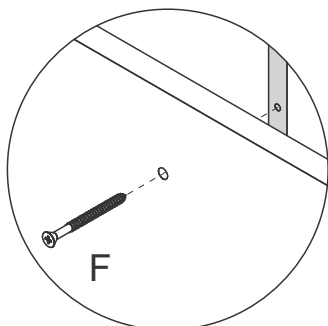
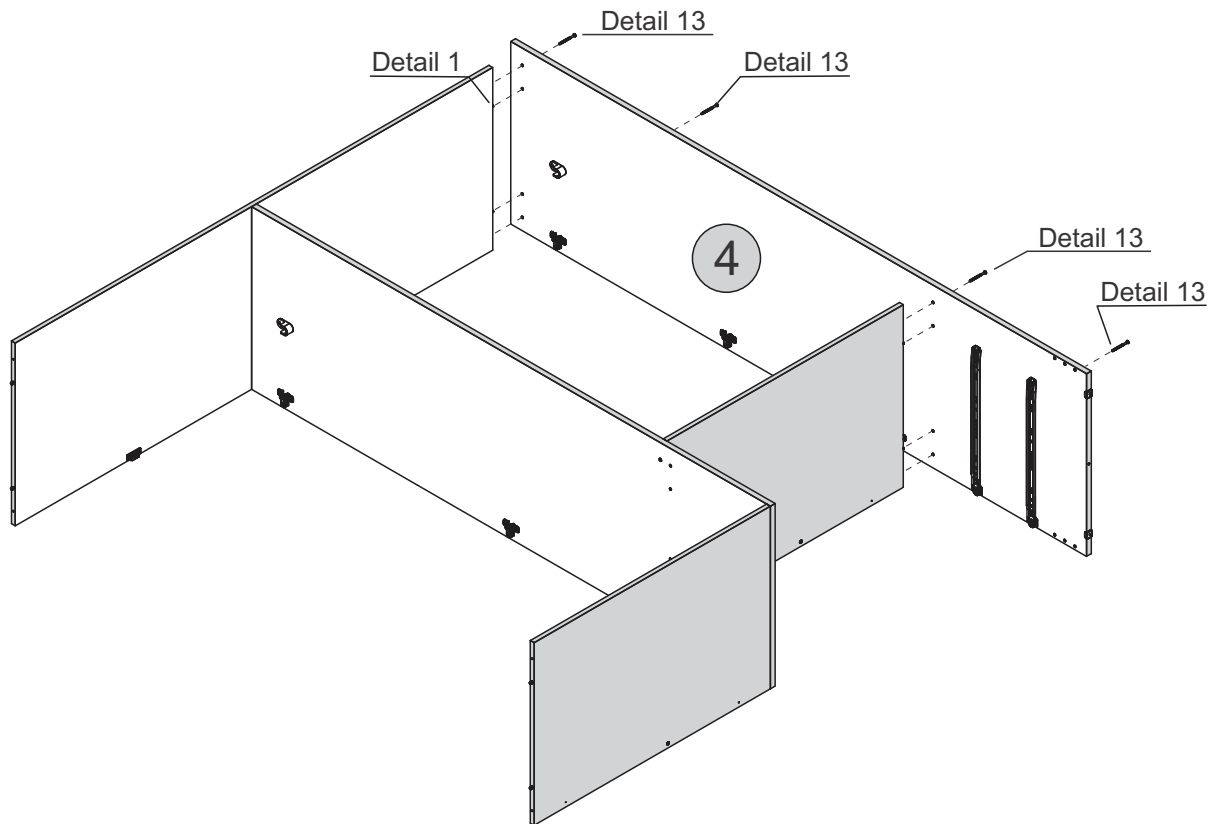
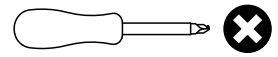


HARDWARE REQUIRED

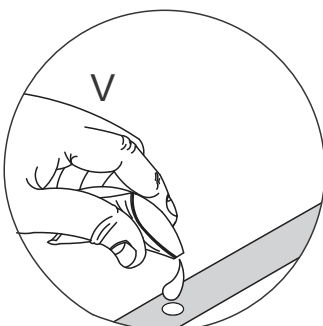
F  Ø4,0 x 50mm 04

V  01

TOOLS REQUIRED



Detail 13





Detail 1

STEP 12

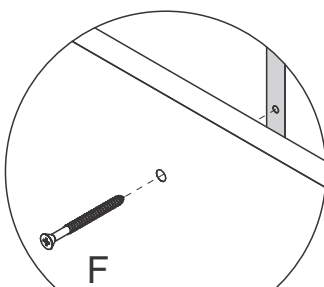
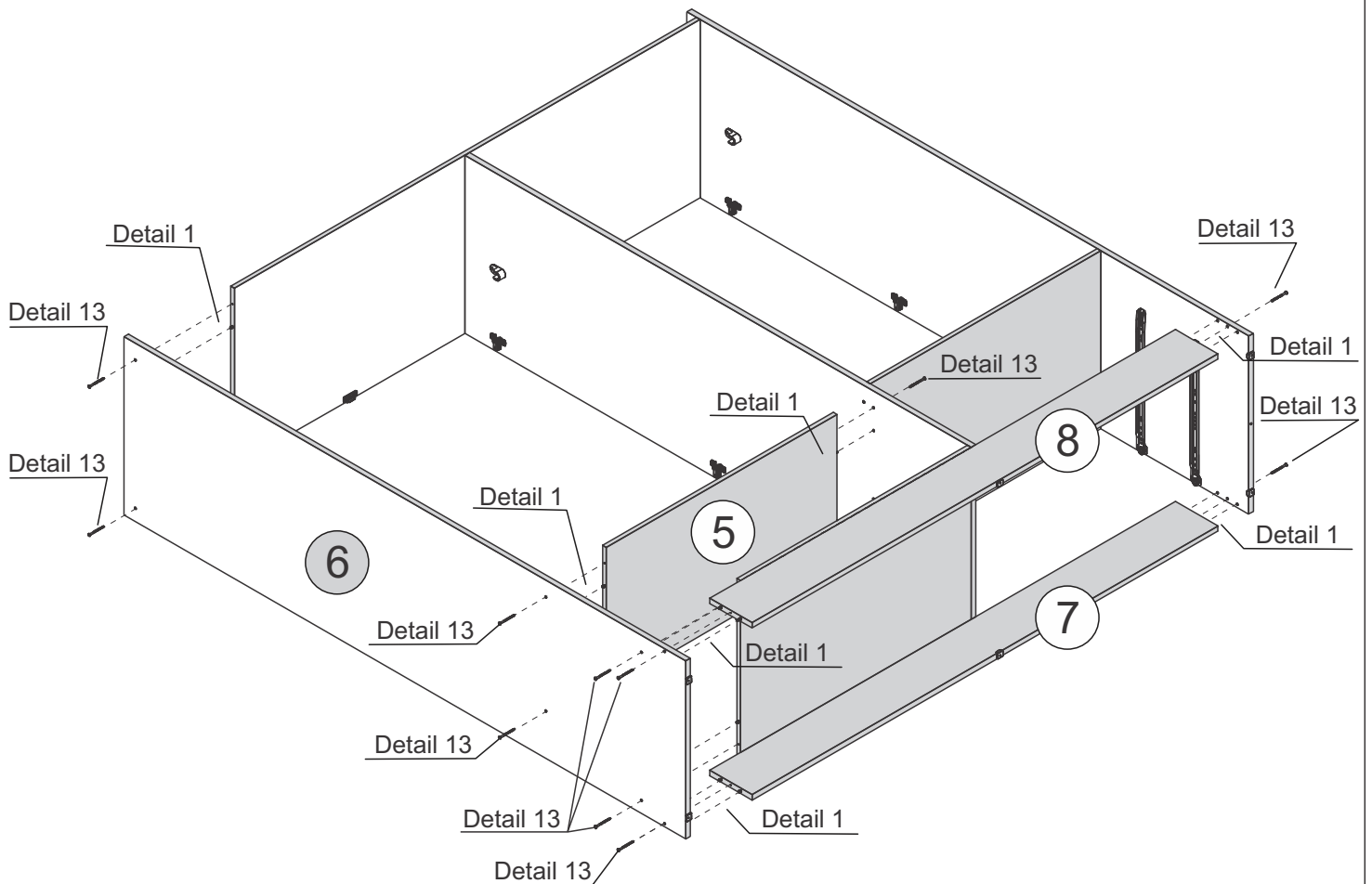
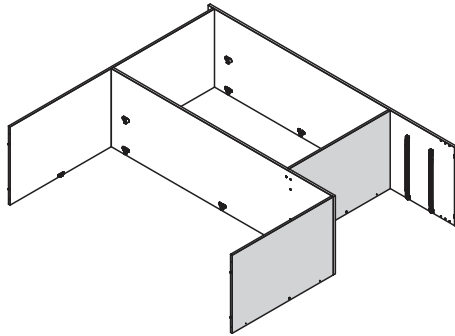
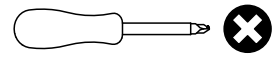
PARTS REQUIRED

5 - SHELF	x1
6 - RIGHT SIDE PANEL	x1
7 - FRONT BASEBOARD	x1
8 - BACK BASEBOARD	x1

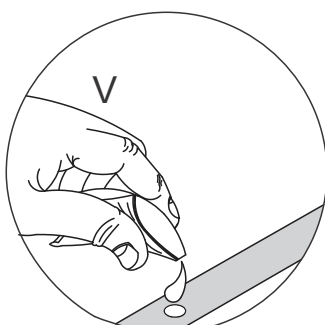
HARDWARE REQUIRED

F	 Ø4,0 x 50mm	12
V		01

TOOLS REQUIRED



Detail 13



Detail 1

STEP 13

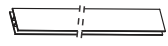
PARTS REQUIRED

9 - BACK PANEL x4

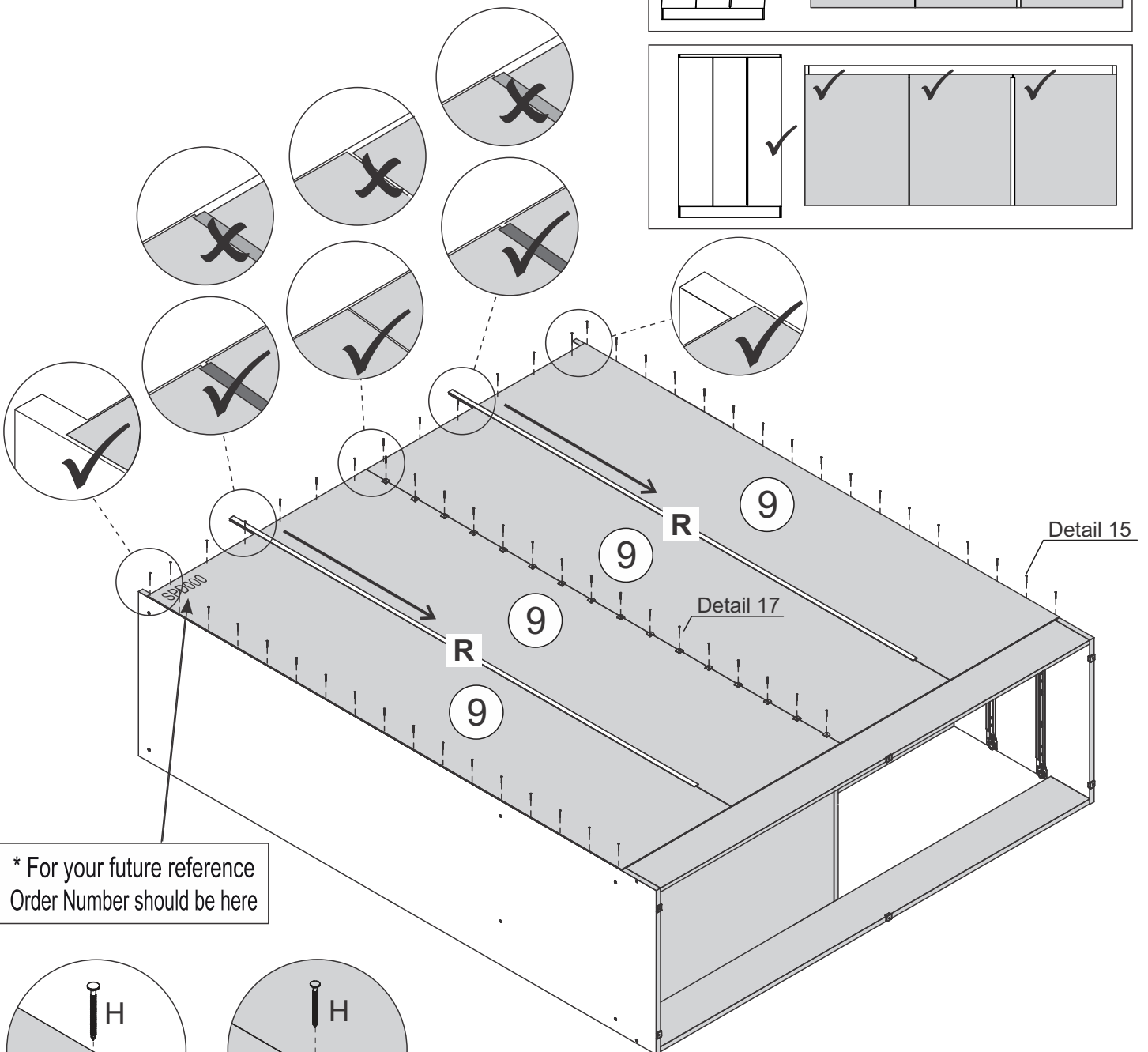
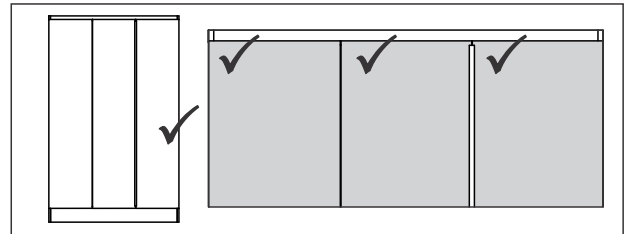
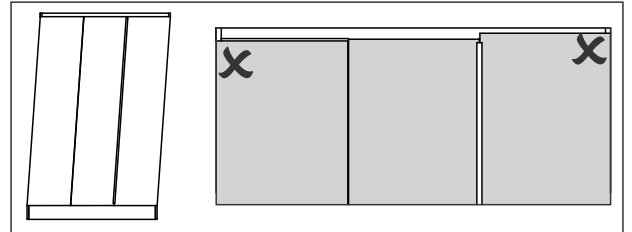
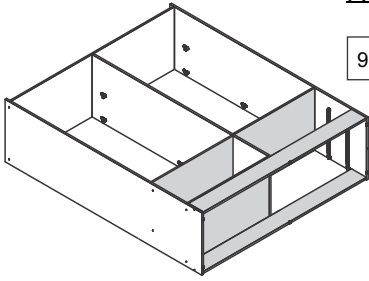
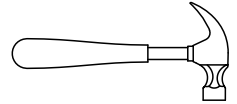
HARDWARE REQUIRED

H  10 x 10 62

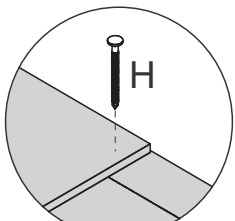
I  16

R  02

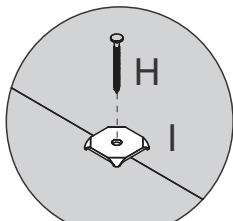
TOOLS REQUIRED



* For your future reference
Order Number should be here



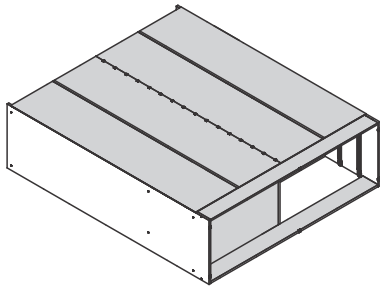
Detail 15



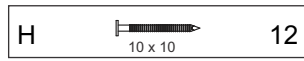
Detail 17

STEP 14

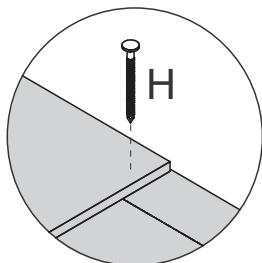
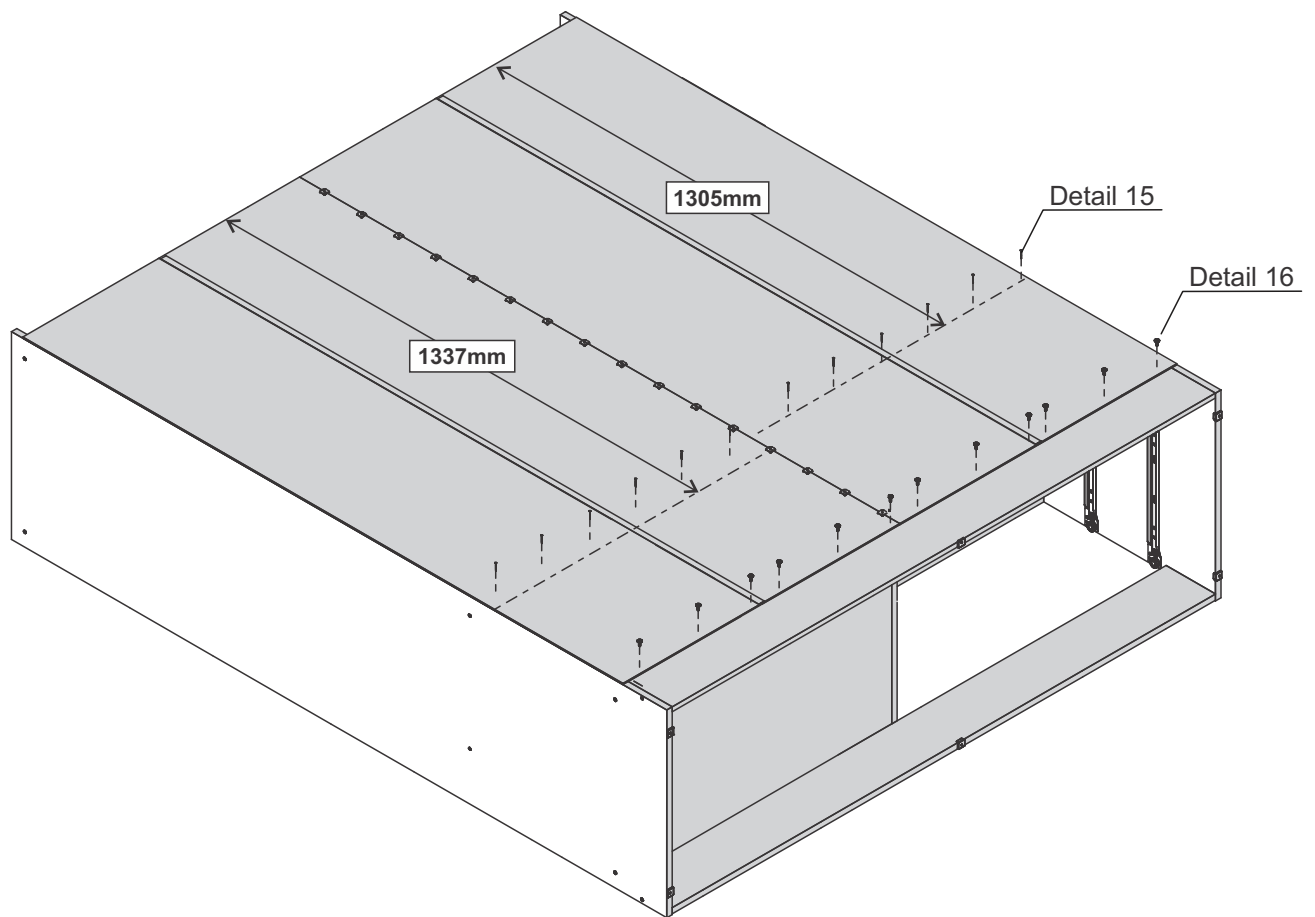
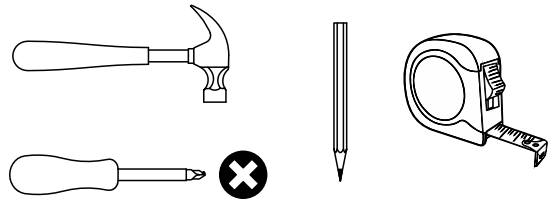
PARTS REQUIRED



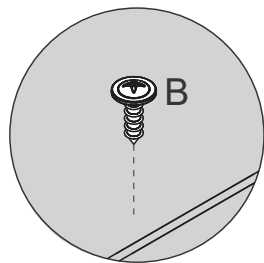
HARDWARE REQUIRED



TOOLS REQUIRED



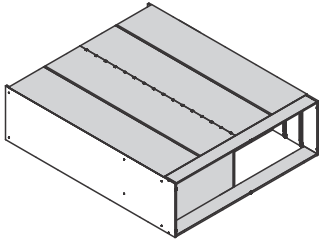
Detail 15



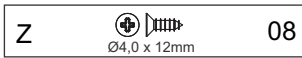
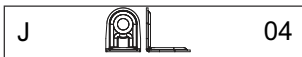
Detail 16

STEP 15

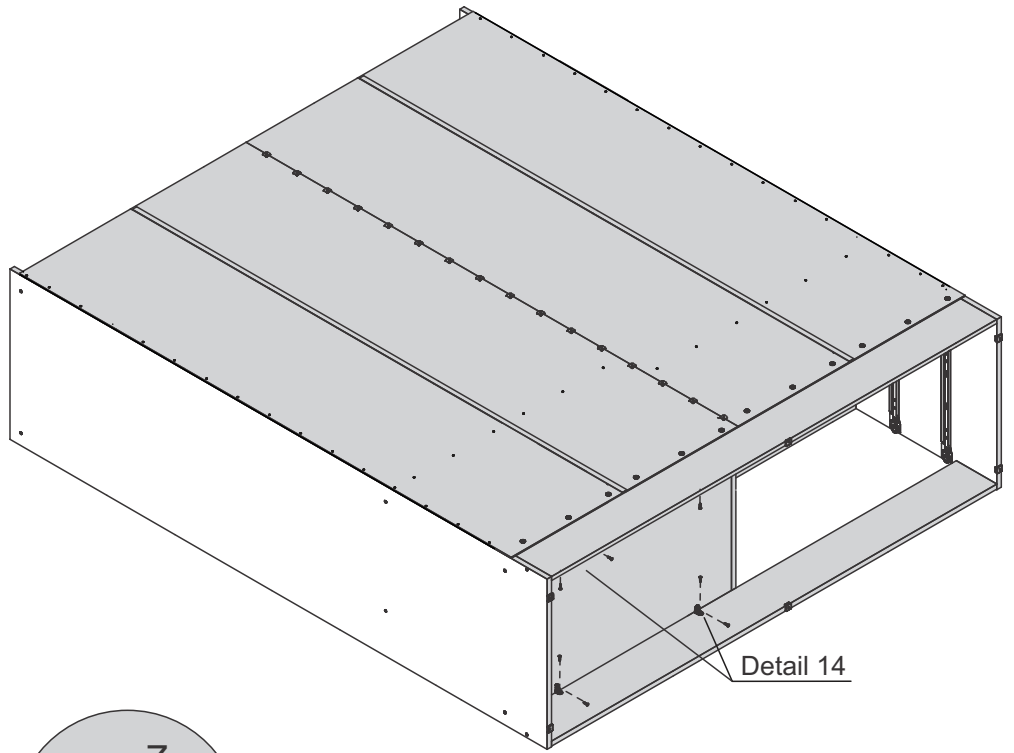
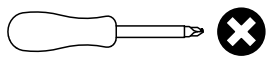
PARTS REQUIRED



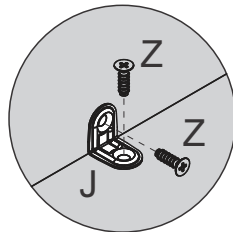
HARDWARE REQUIRED



TOOLS REQUIRED



Detail 14

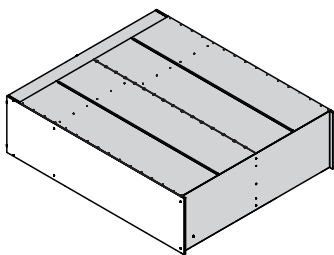


Detail 14

STEP 16

PARTS REQUIRED

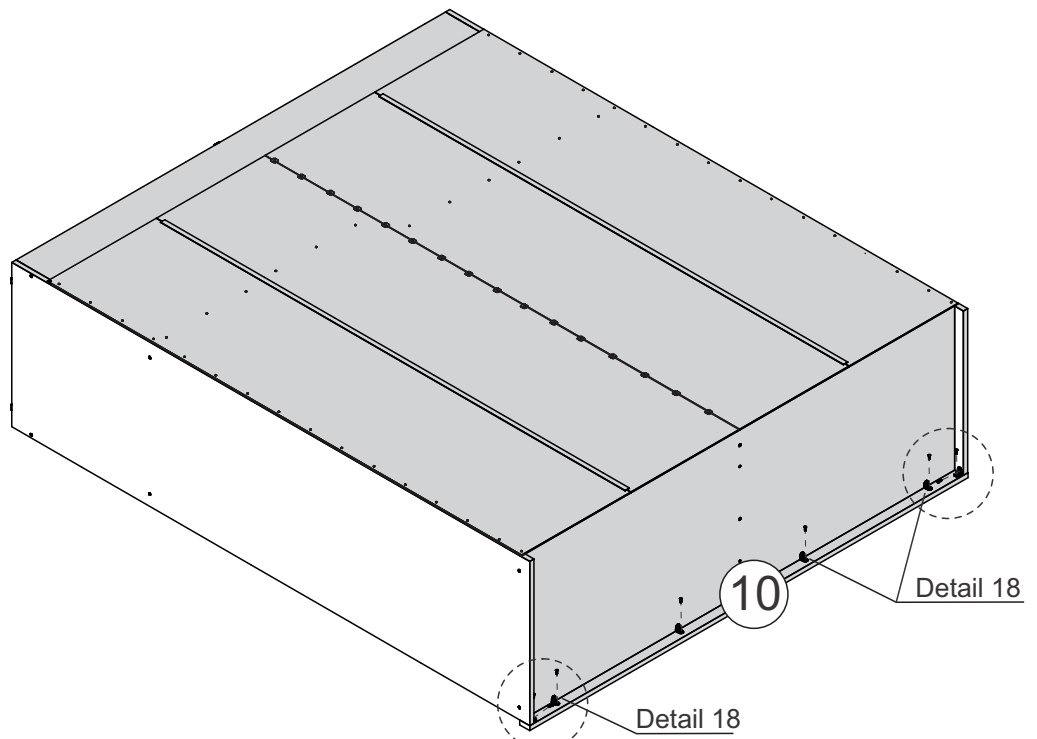
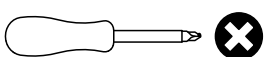
10 - FRAME	x1
------------	----



HARDWARE REQUIRED

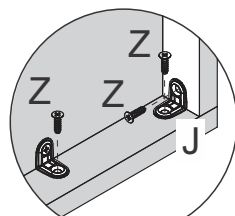


TOOLS REQUIRED

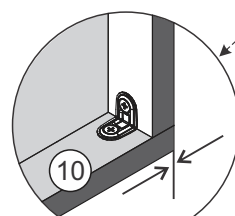


Detail 18

Detail 18



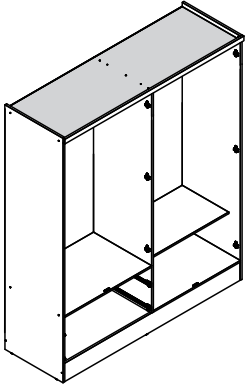
Detail 18



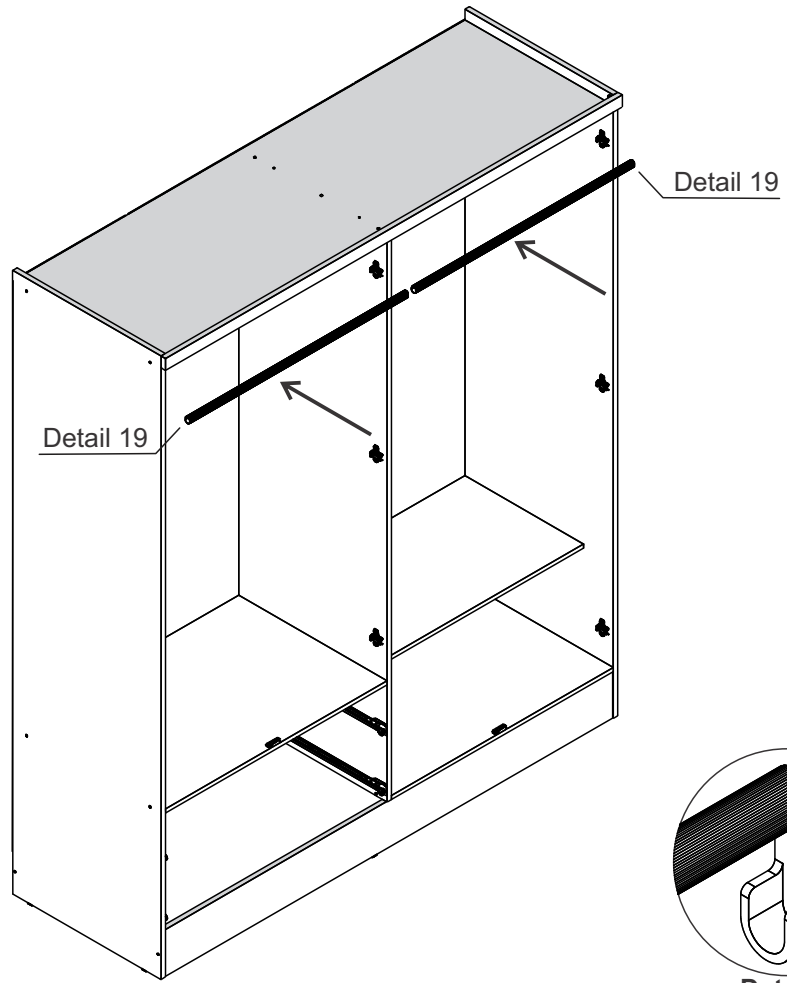
Align corners

STEP 17

PARTS REQUIRED



HARDWARE REQUIRED



STEP 18

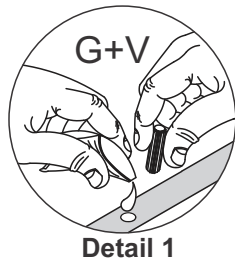
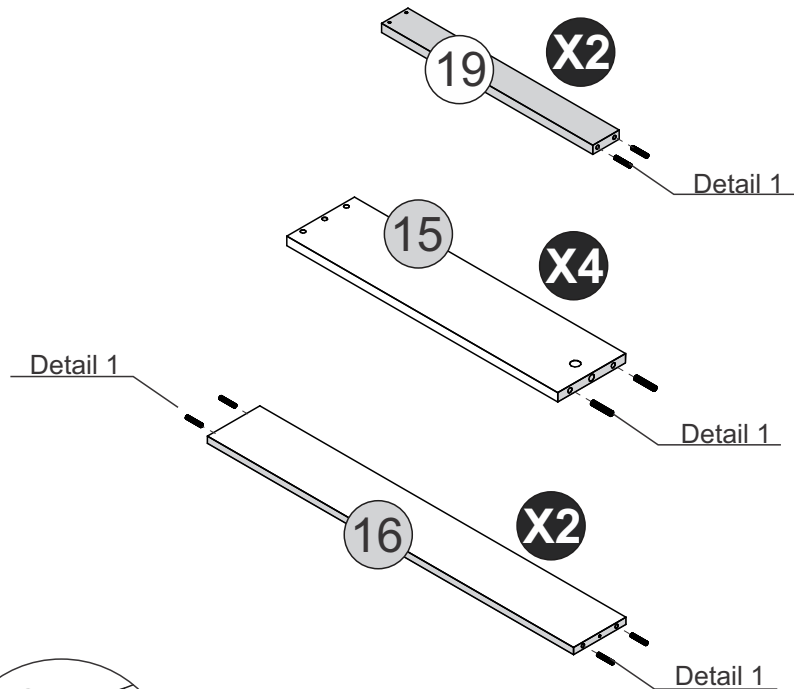
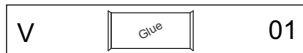
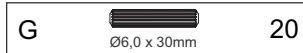
PARTS REQUIRED

15 - DRAWER SIDE	x4
------------------	----

16 - DRAWER BACK PANEL	x2
------------------------	----

19 - DRAWER BOTTOM SUPPORT BARX2	
----------------------------------	--

HARDWARE REQUIRED

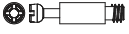


STEP 19

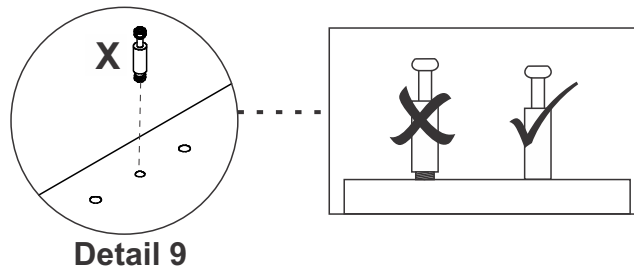
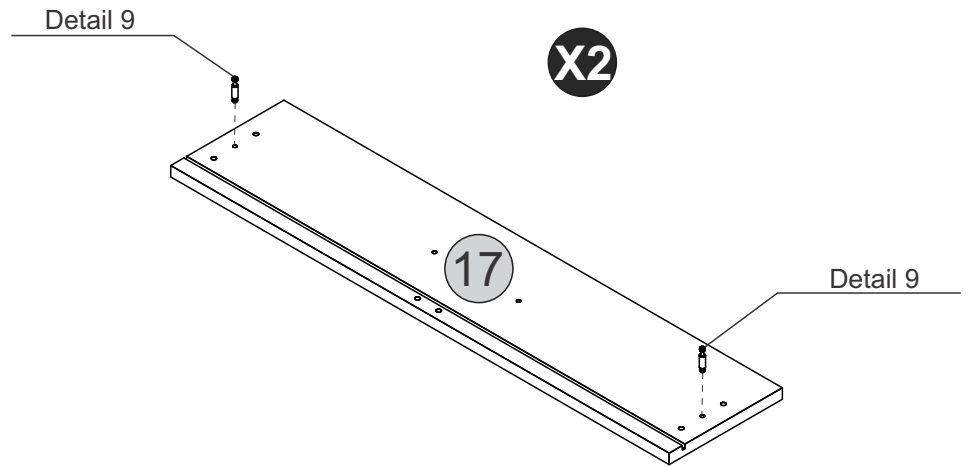
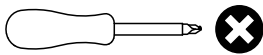
PARTS REQUIRED

17 - DRAWER FRONT x2

HARDWARE REQUIRED

X  04

TOOLS REQUIRED




STEP 20

PARTS REQUIRED

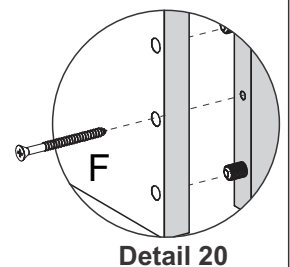
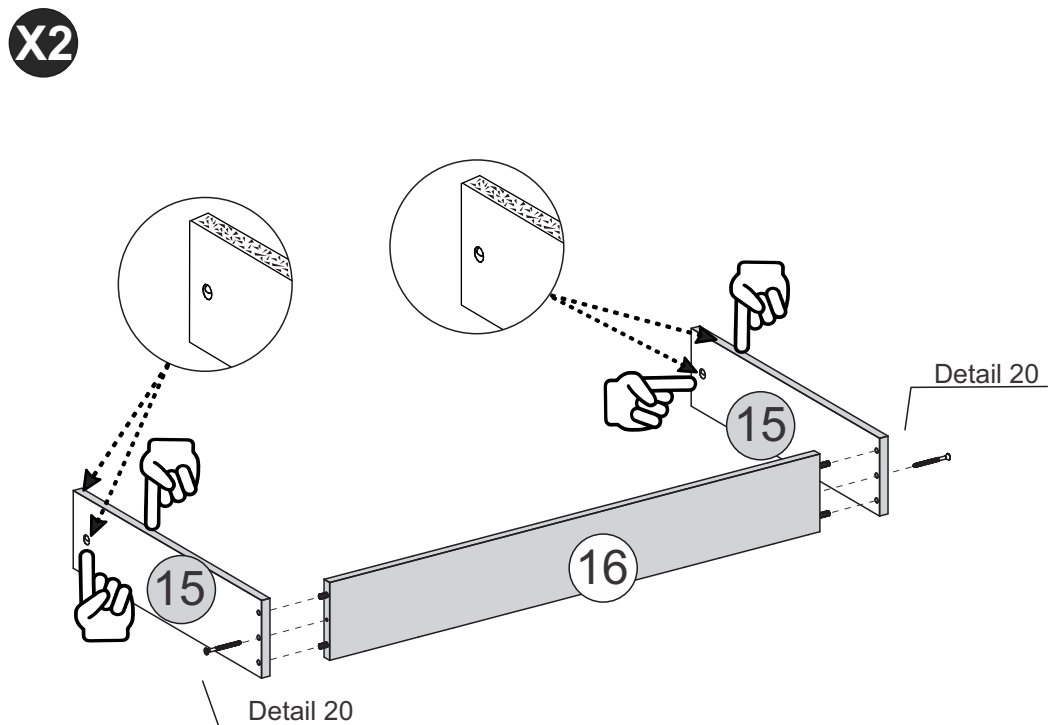
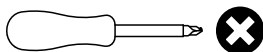
15 - DRAWER SIDE x4

16 - DRAWER BACK PANEL x2

HARDWARE REQUIRED

F  04
Ø4,0 x 50mm

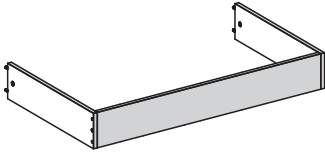
TOOLS REQUIRED



STEP 21

PARTS REQUIRED

17 - DRAWER FRONT x2



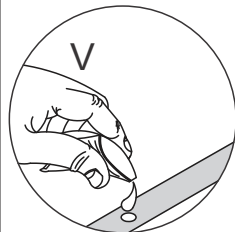
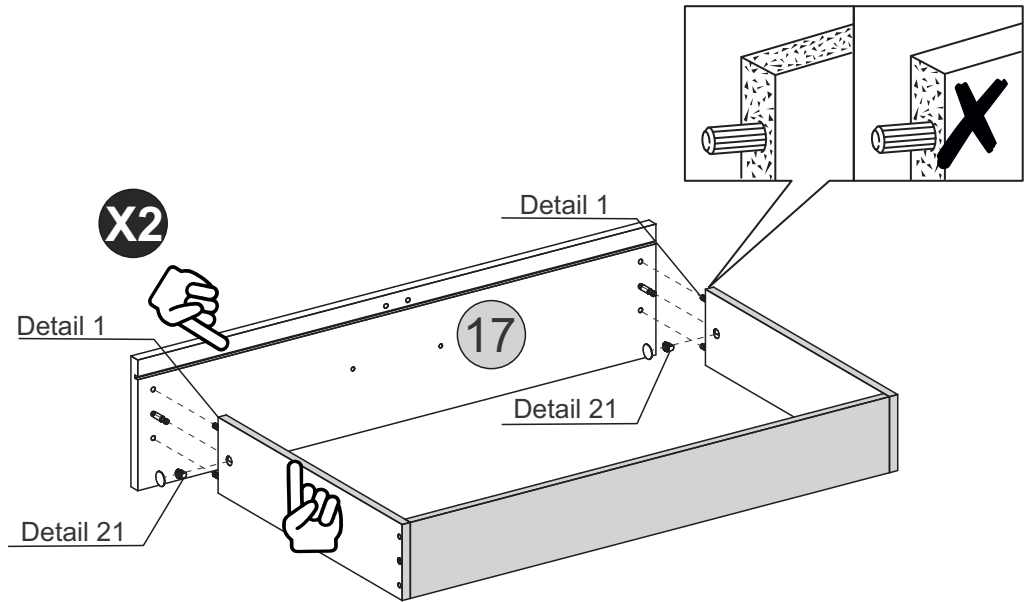
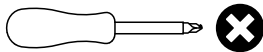
HARDWARE REQUIRED

U  04

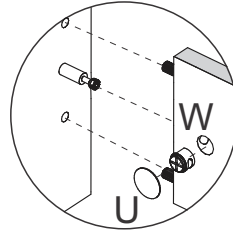
V  01

W  04

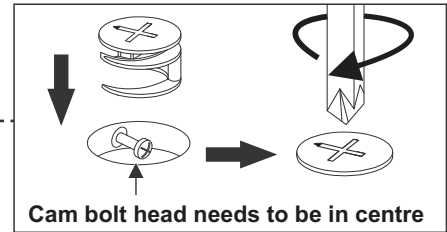
TOOLS REQUIRED



Detail 1



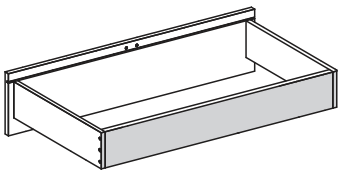
Detail 21




STEP 22

PARTS REQUIRED

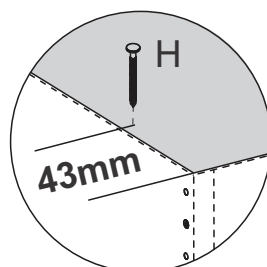
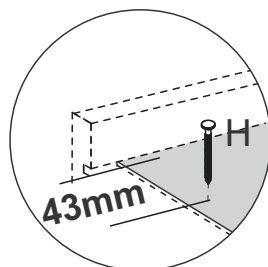
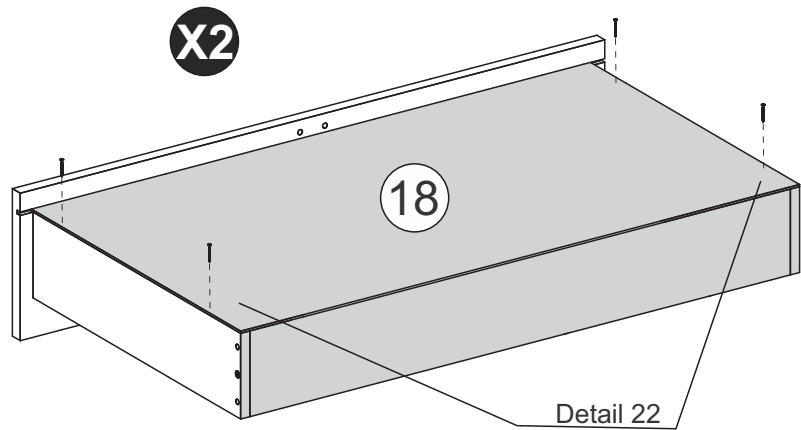
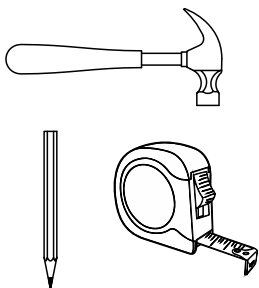
18 - DRAWER BOTTOM x2



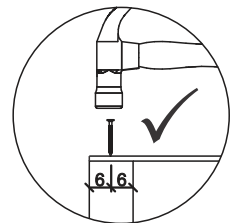
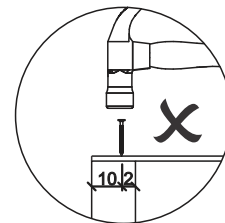
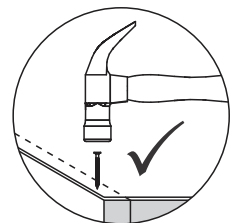
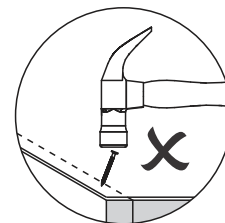
HARDWARE REQUIRED

H  10 x 10 08

TOOLS REQUIRED



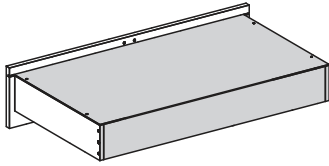
Detail 22




STEP 23

PARTS REQUIRED

19 - DRAWER BOTTOM SUPPORT BAR x2

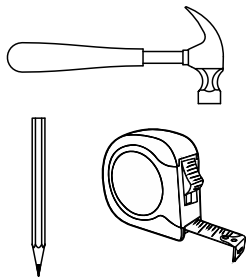


HARDWARE REQUIRED

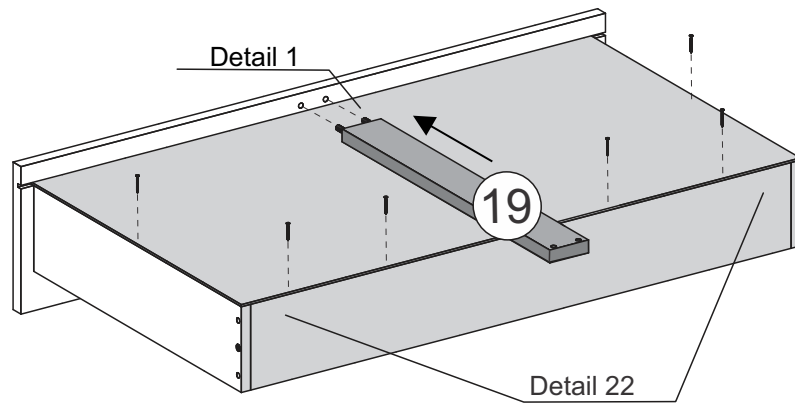
H  12

V  01

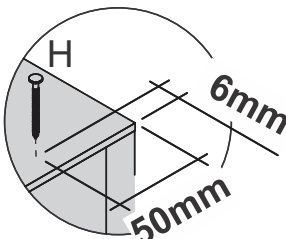
TOOLS REQUIRED



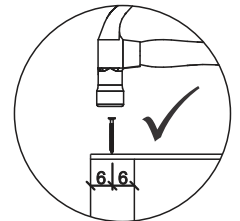
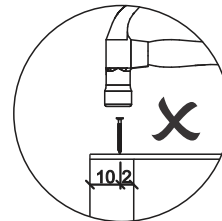
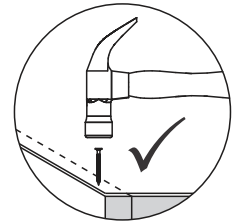
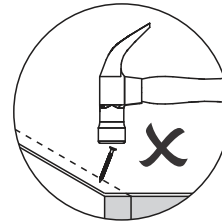
X2



Detail 1

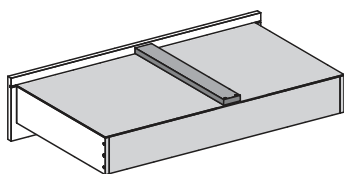


Detail 22

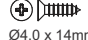


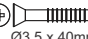
STEP 24

PARTS REQUIRED



HARDWARE REQUIRED

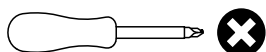
C  08

E  04

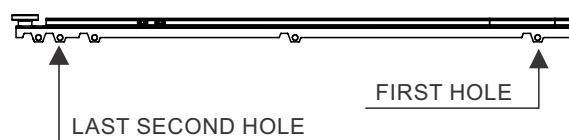
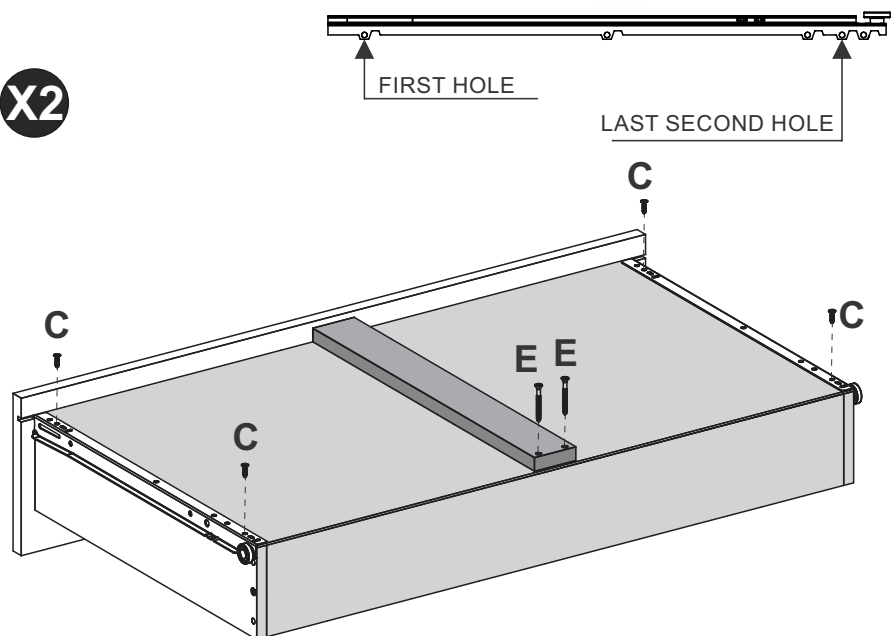
Q  02

Q  02

TOOLS REQUIRED



X2





STEP 25

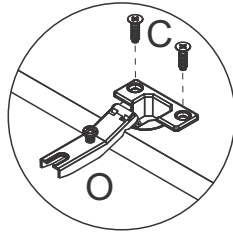
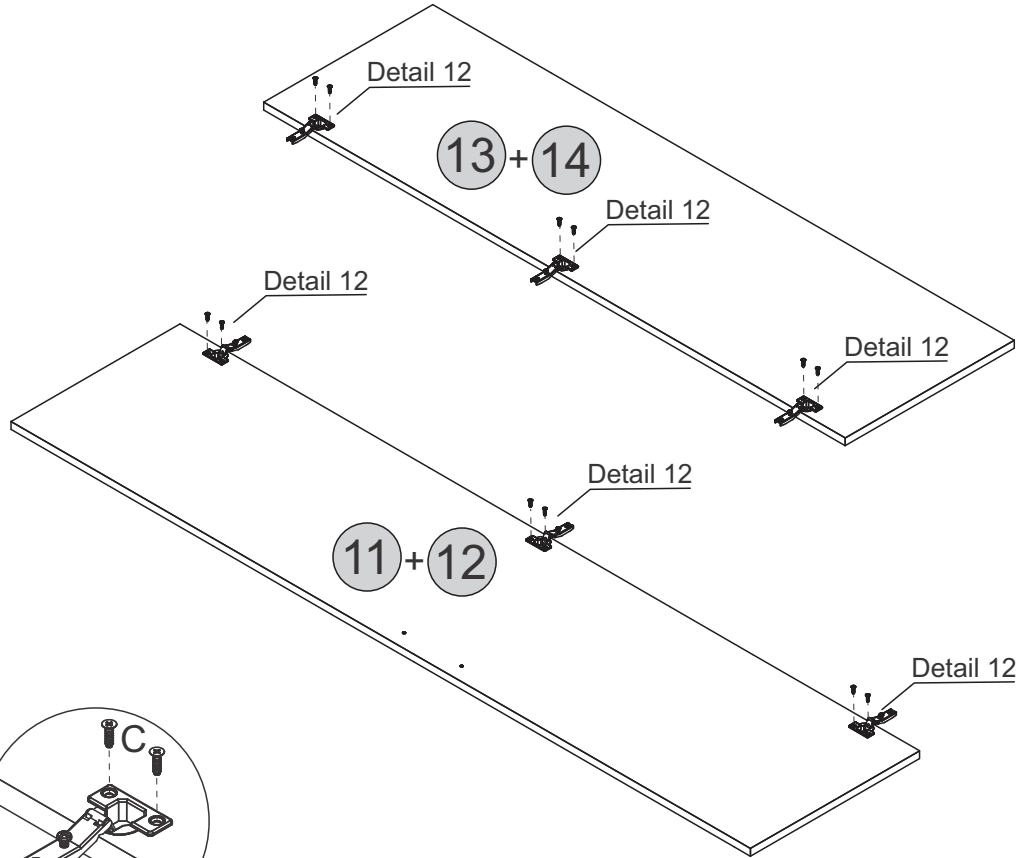
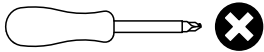
PARTS REQUIRED

11 - RIGHT LARGE DOOR	x1
12 - LEFT LARGE DOOR	x1
13 - RIGHT SMALL DOOR	x1
14 - LEFT SMALL DOOR	x1

HARDWARE REQUIRED

C	 24 Ø4,0 x 14mm
O	 12

TOOLS REQUIRED

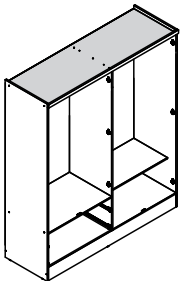


Detail 12


STEP 26

PARTS REQUIRED

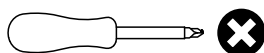
11 - RIGHT LARGE DOOR	x1
12 - LEFT LARGE DOOR	x1
13 - RIGHT SMALL DOOR	x1
14 - LEFT SMALL DOOR	x1



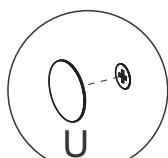
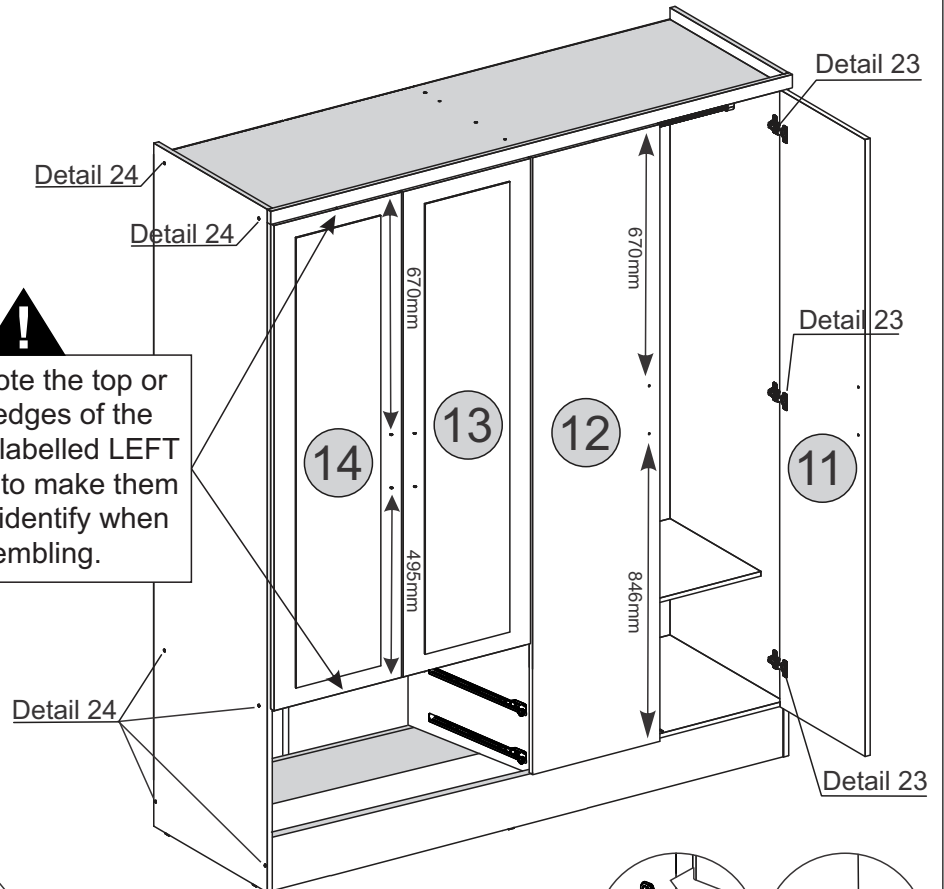
HARDWARE REQUIRED

U	 26
---	--

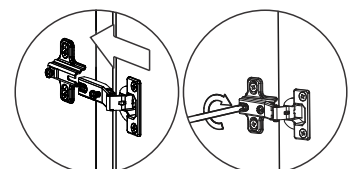
TOOLS REQUIRED



!
Please note the top or bottom edges of the doors are labelled LEFT or RIGHT to make them easier to identify when assembling.



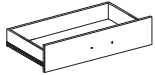
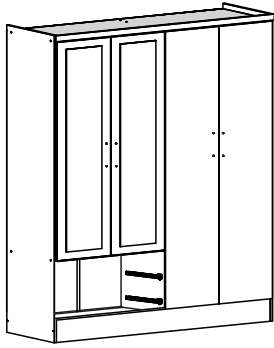
Detail 24



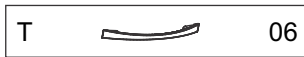
Detail 23

STEP 27

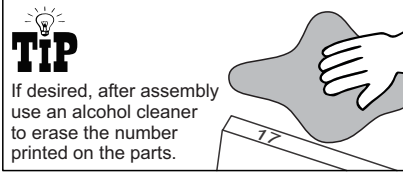
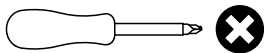
PARTS REQUIRED



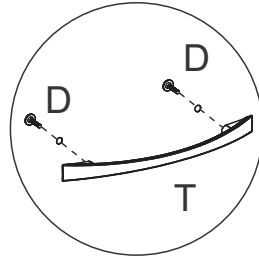
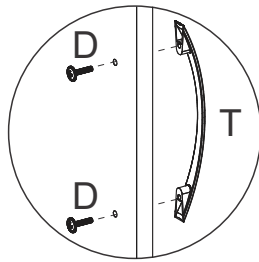
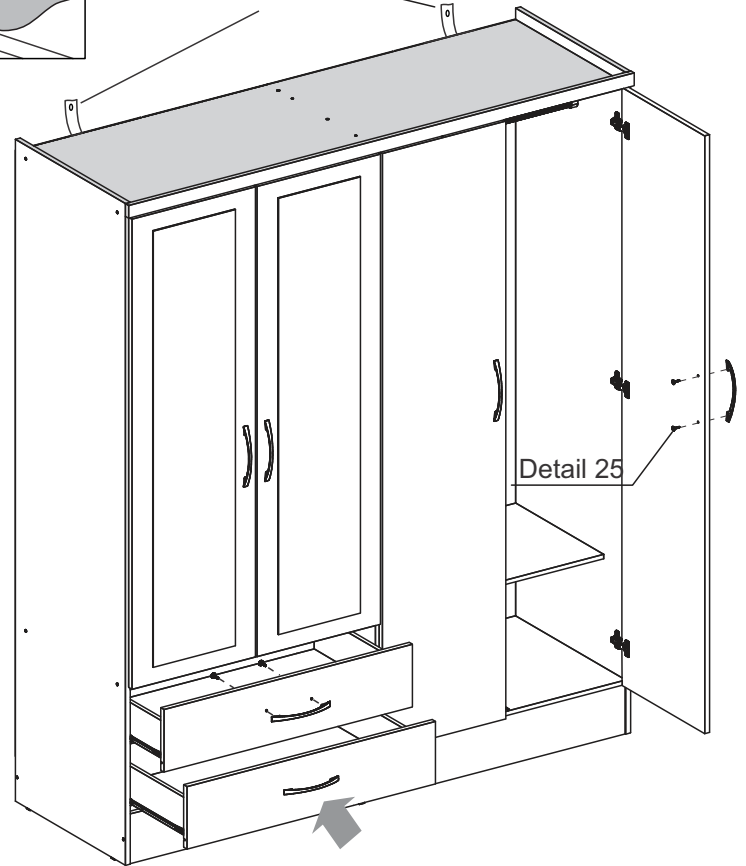
HARDWARE REQUIRED



TOOLS REQUIRED



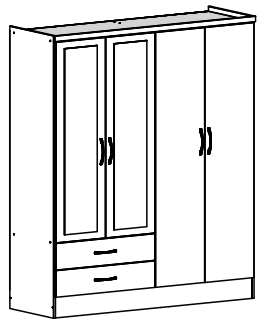
See the last page



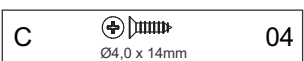
Detail 25

STEP 28

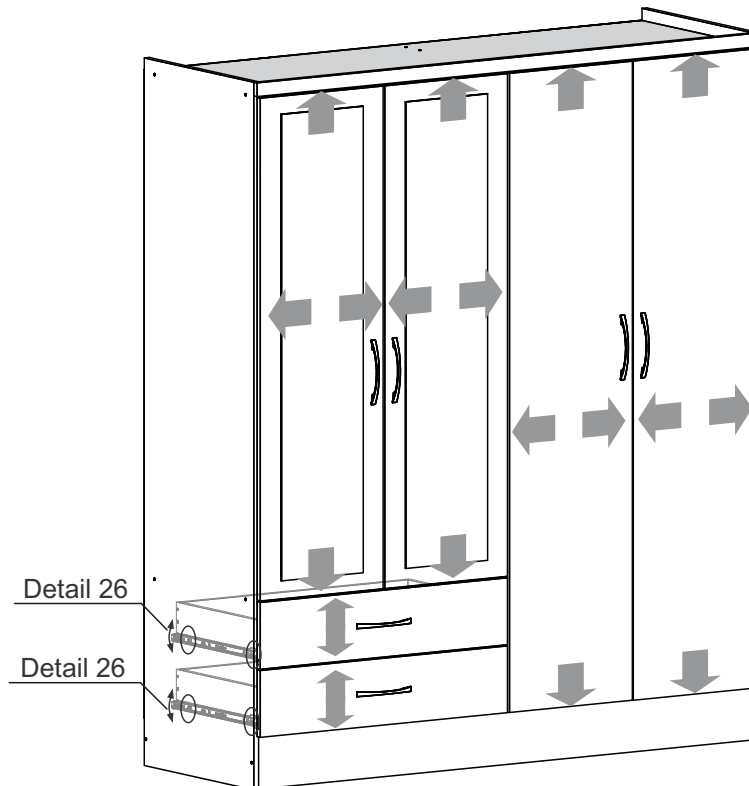
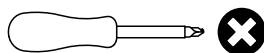
PARTS REQUIRED



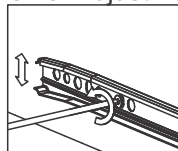
HARDWARE REQUIRED



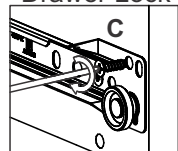
TOOLS REQUIRED



Drawer Adjustment

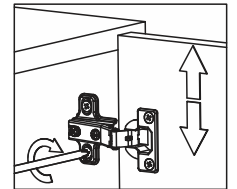


Drawer Lock

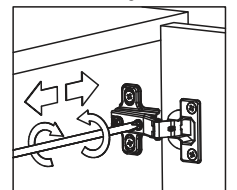


Detail 26

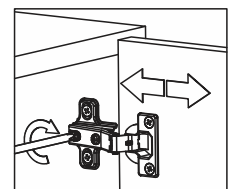
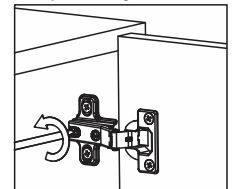
Height Adjustment



Internal Adjustment



Depth Adjustment



WARNING

Serious or fatal injuries can occur from furniture tipping over. To prevent the furniture from tipping over we recommend that it is permanently fixed to the wall.

Wall fixings are not supplied with this product as different wall materials require different types of fixing devices.

Please make sure you use fixings suitable for the walls in your home.

