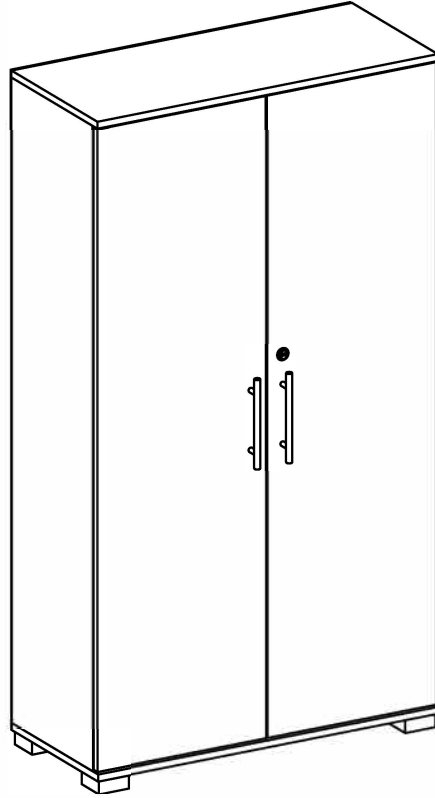


furniture designs



assembly guide



A

Cam Lock &
Dowel x 22



B

Wooden Dowel x 14



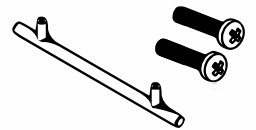
C

14x3.5mm
screw x 60



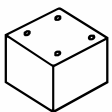
D

Back Panel Connector x 1



E

Handle x 2



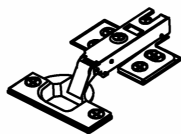
F

Glide x 4



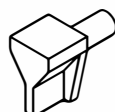
G

Nails x 50



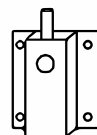
H

Hinge x 6



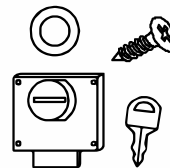
I

Shelf
Support x 8



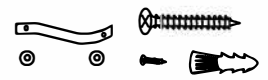
J

Latch x 2



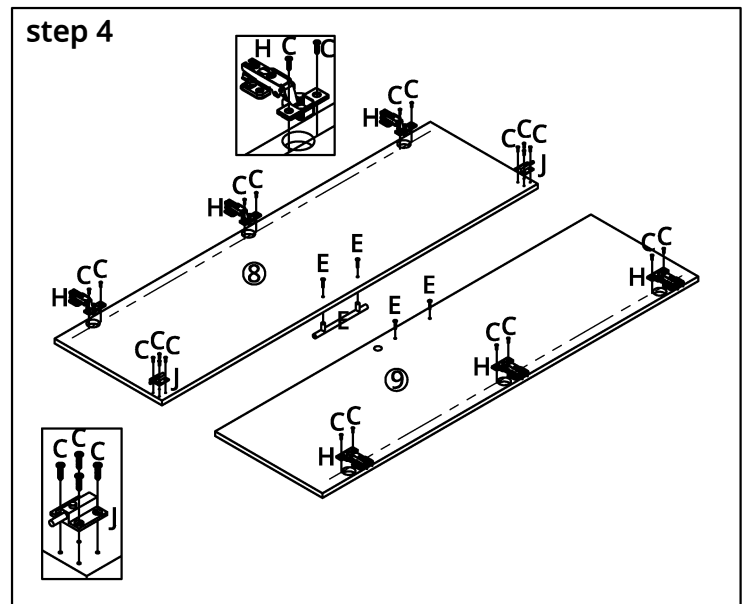
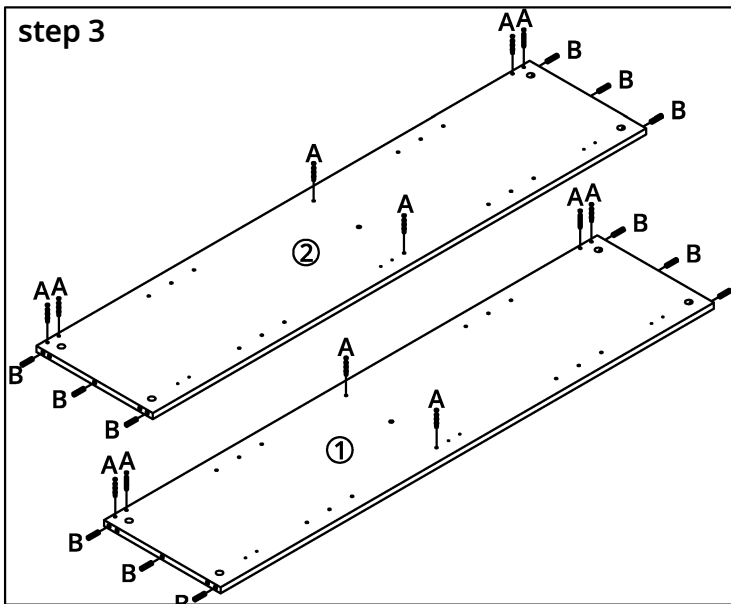
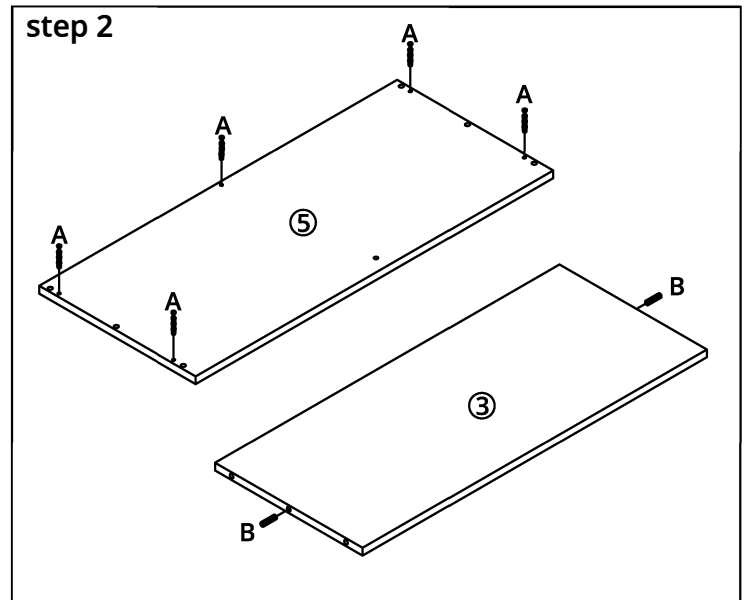
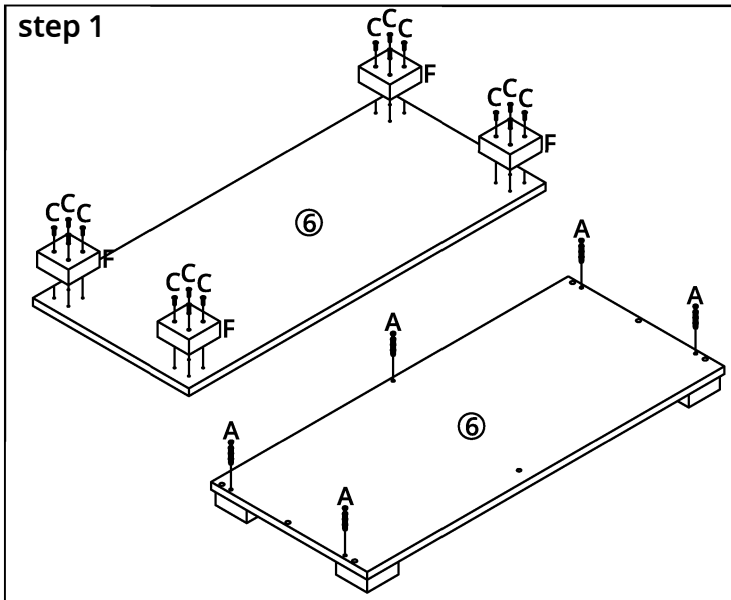
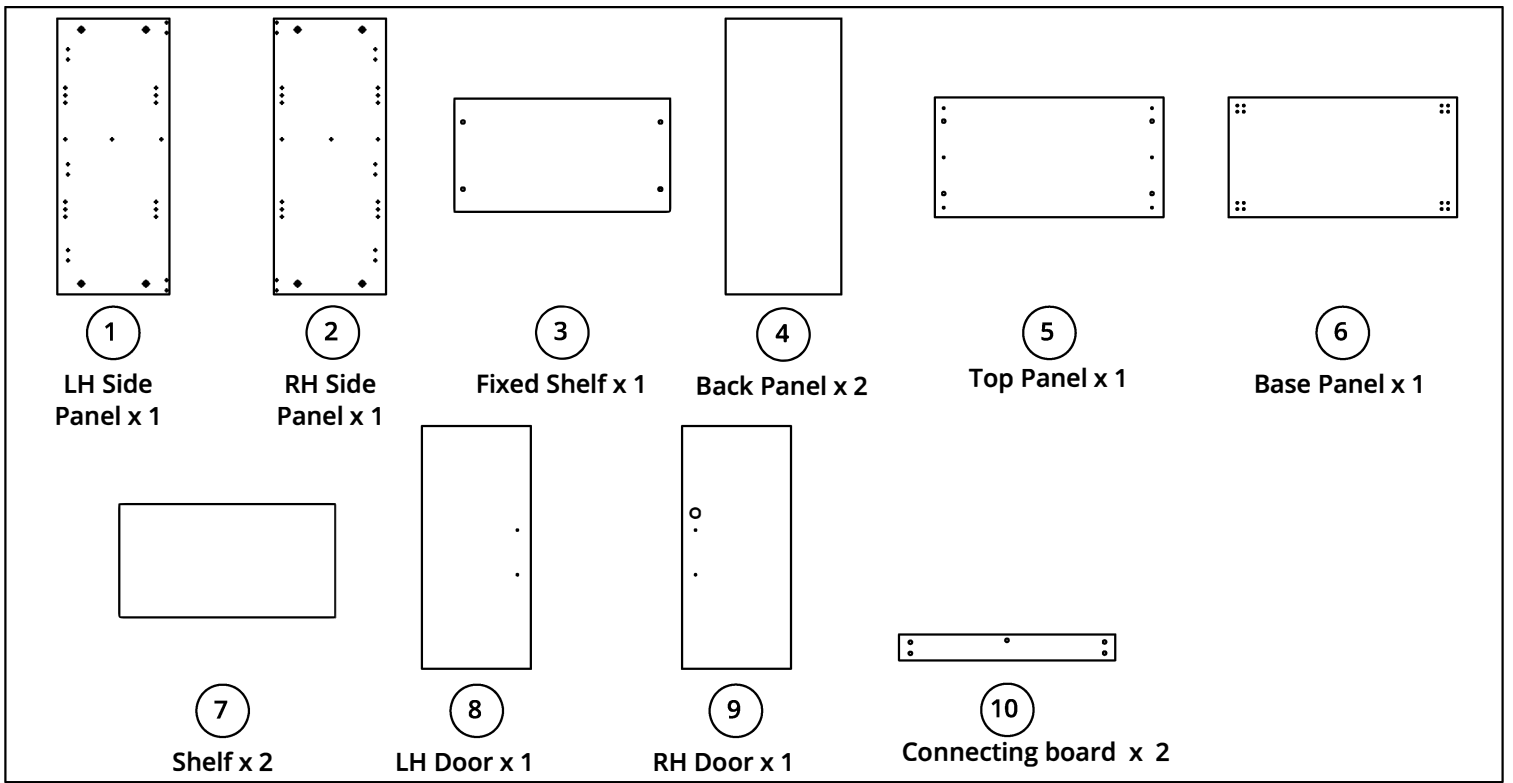
K

Lock x 1

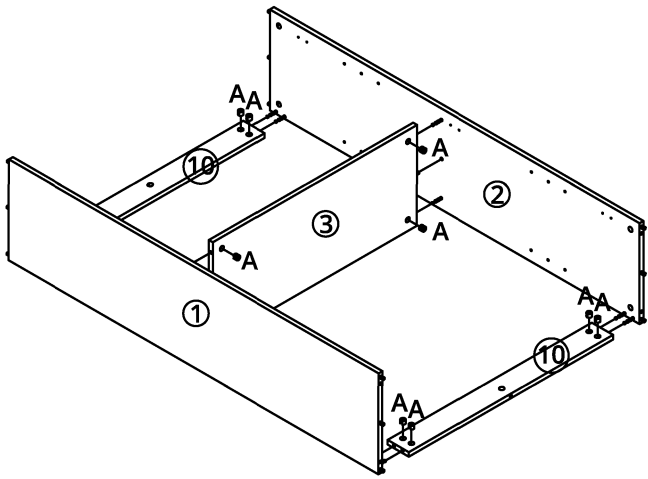


L

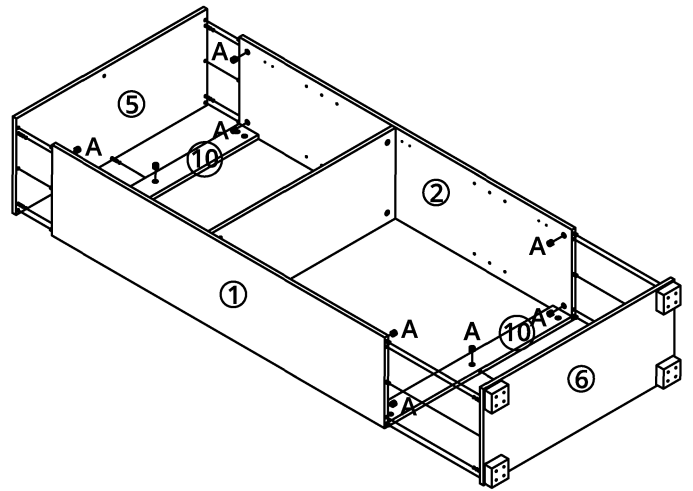
Wall Fixing x 2



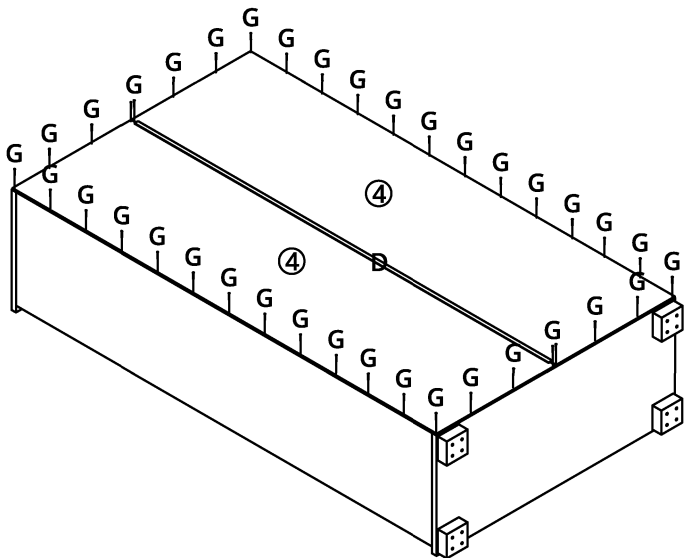
step 5



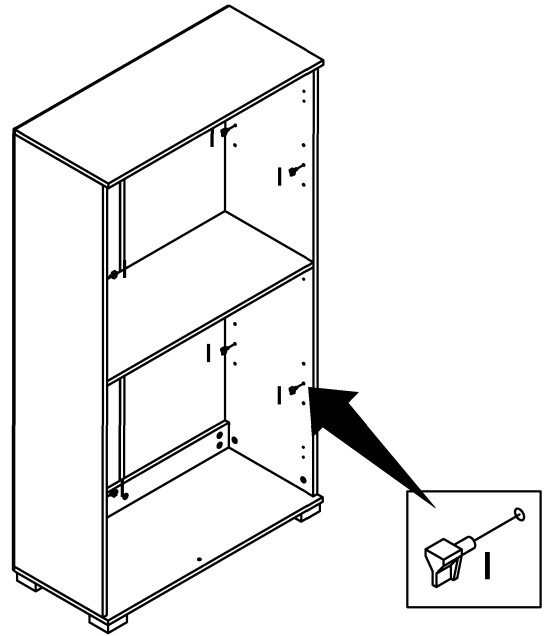
step 6



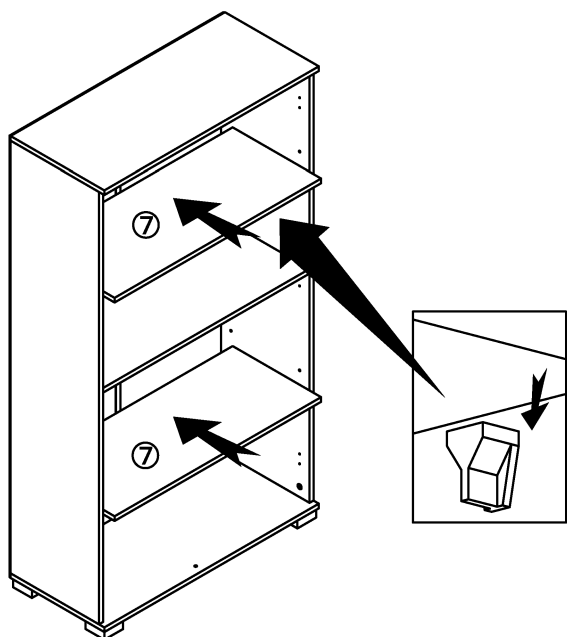
step 7



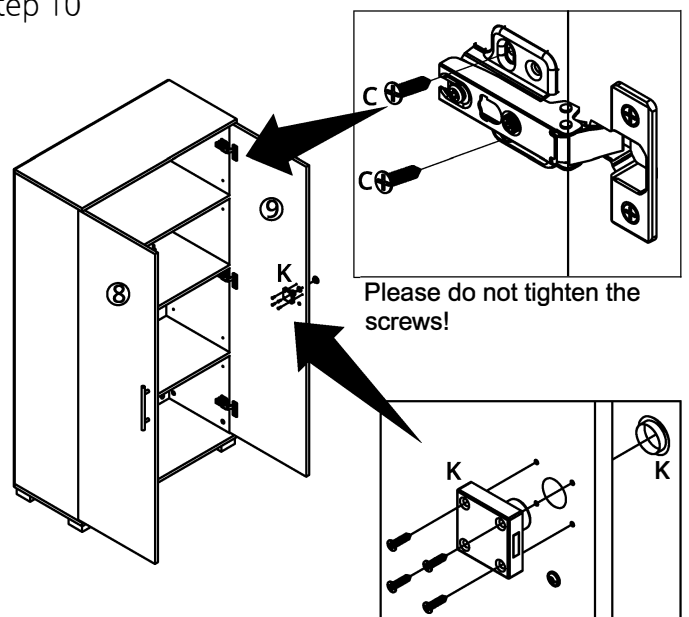
step 8



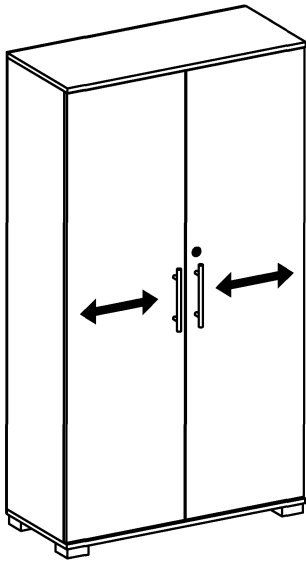
step 9



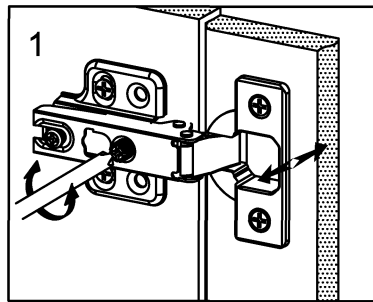
step 10



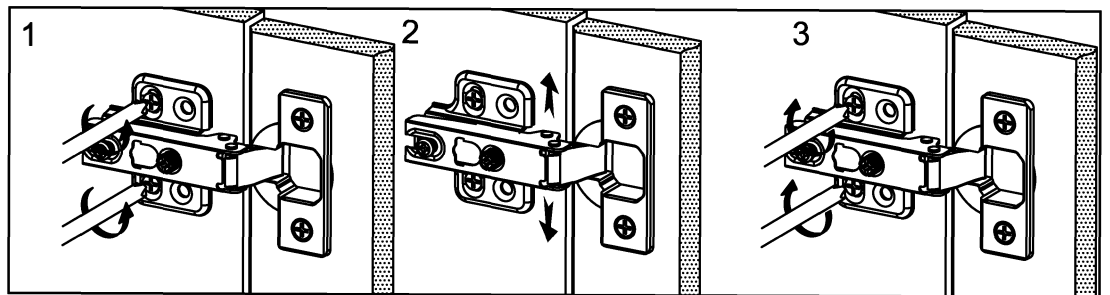
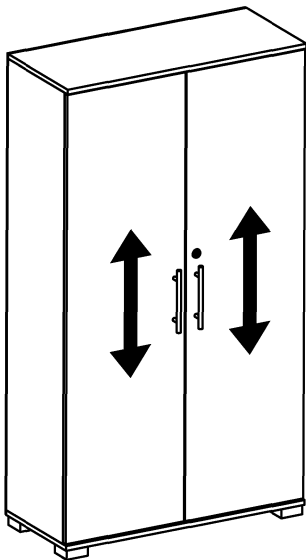
step 11



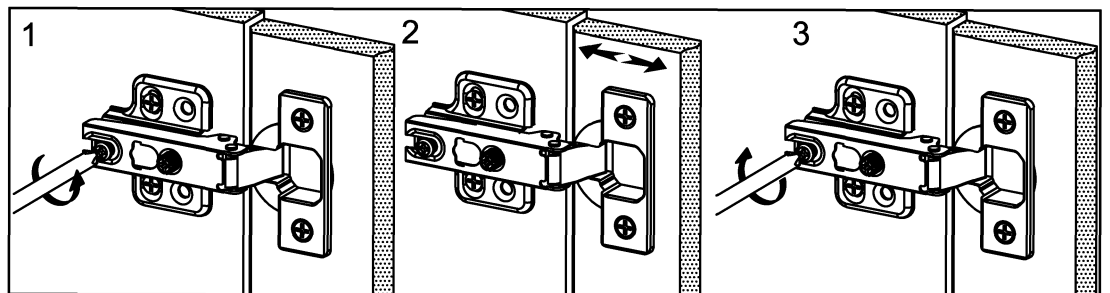
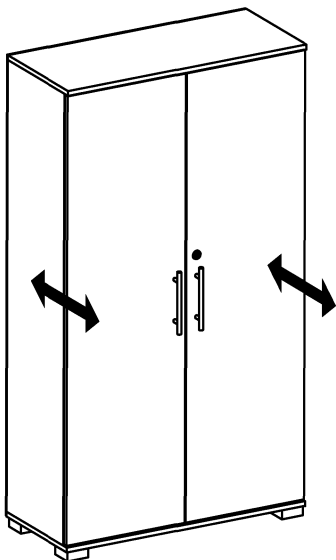
Adjusting the doors (Adjusting the hinges)



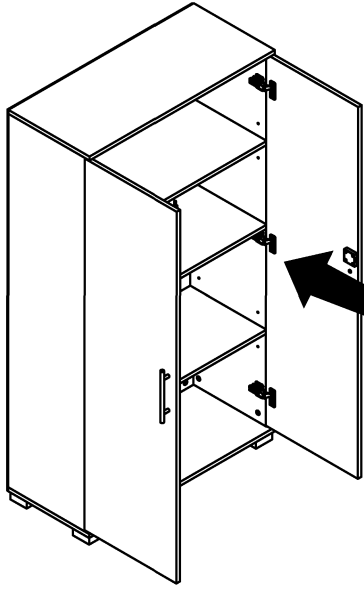
step 12



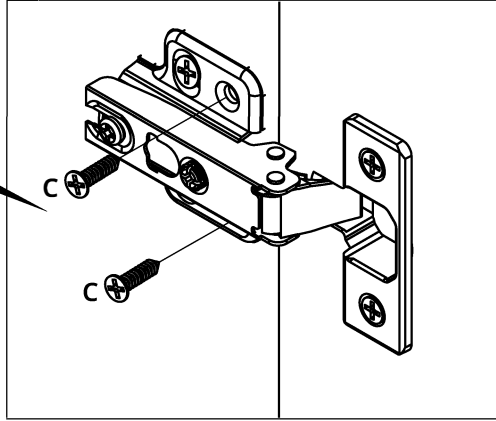
step 13



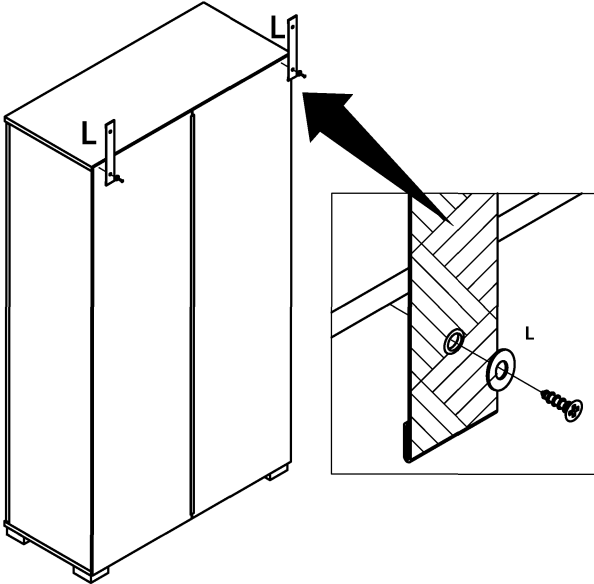
step 14



Before screwing the "C" screws make sure your doors are well adjusted.



step 15



step 16

