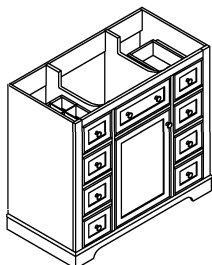


# ASSEMBLY INSTRUCTIONS

Thank you for purchasing this quality Product. Be sure to check all packing material carefully for small parts, which may have come loose inside carton during shipment. Identify and count all parts and compare with the parts list below.








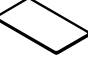






















## ASSEMBLY INSTRUCTION:

1. Remove hardware from box and sort by size.
2. Please check to see that all hardware and parts are present prior start of assembly.
3. Please follow attached instruction in the same sequence as numbered above for fast and easy assembly.

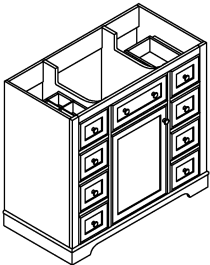
## WARNING!

1. Do not attempt to repair or modify parts that are broken or defective. Please contact the store immediately.
2. This product is for home use only and not intended for commercial establishments.
3. Two persons are required for assembly.
4. Approximate assembly time 1/2 hours.
5. Component parts and fittings contained in the box. Please sort out all parts before you begin to assemble the item. This is to make sure you always use the correct part.
6. It is **STRONGLY RECOMMENDED** that you **ANCHOR** this product. Tipping furniture can cause serious injuries and death. To prevent your furniture from tipping forward it is strongly recommended that you securely attach this product to a wall or other solid surface, using the anchor straps provided appropriate fixings.

No.	Component	Q'ty	No.	Component	Q'ty
1	 Side Panel-Left	1	15	 Back Drawer Panel Left	2
2	 Side Panel-Right	1	16	 Sides Drawer Panel Left	2
3	 Middle Panel Left	1	17	 Sides Drawer Panel Left	2
4	 Middle Panel Right	1	18	 Bottom Drawer Panel	6
5	 Front Rail - Above	1	19	 Divide Drawer Panel #1	2
6	 Back Panel - Up	1	20	 Divide Drawer Panel #1	4
7	 Back Panel - Low	3	21	 Front Drawer Panel Right	2
8	 Mid Panel Up	1	22	 Back Drawer Panel Right	2
9	 Mid Rail -Left	2	23	 Sides Drawer Panel Right	2
10	 Mid Rail -Right	2	24	 Sides Drawer Panel Right	2
11	 Bottom Panel	1	25	 Front Drawer Panel Low	2
12	 Door	1	26	 Back Drawer Panel Low	2
13	 Shelf	1	27	 Sides Drawer Panel Low	2
14	 Front Drawer Panel Left	2	28	 Sides Drawer Panel Low	2

# ASSEMBLY INSTRUCTIONS

Thank you for purchasing this quality Product. Be sure to check all packing material carefully for small parts, which may have come loose inside carton during shipment. Identify and count all parts and compare with the parts list below.

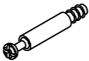











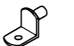


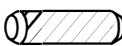
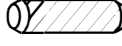

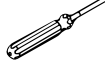
## ASSEMBLY INSTRUCTION:

1. Remove hardware from box and sort by size.
2. Please check to see that all hardware and parts are present prior start of assembly.
3. Please follow attached instruction in the same sequence as numbered above for fast and easy assembly.

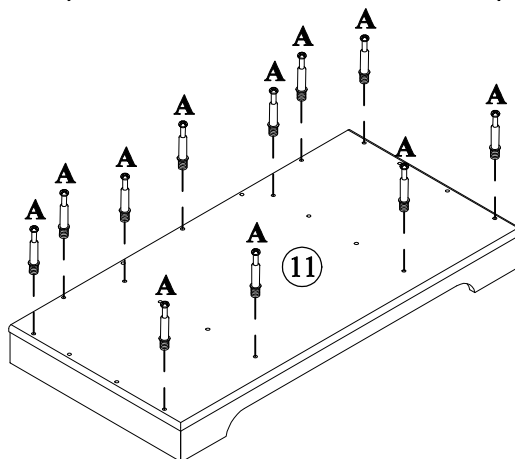
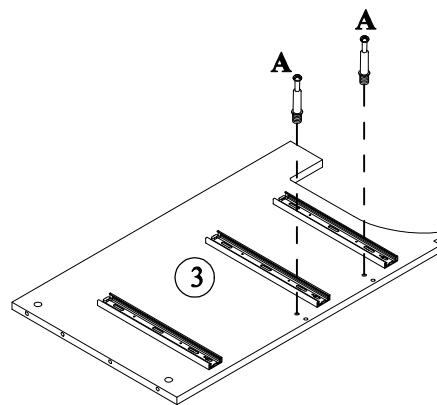
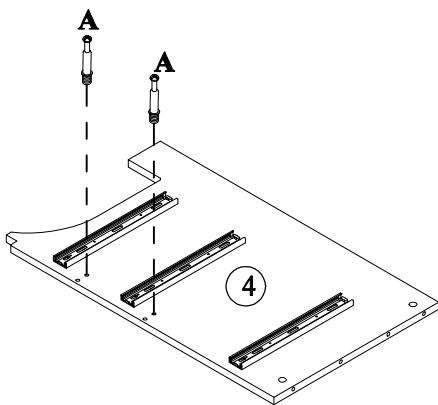
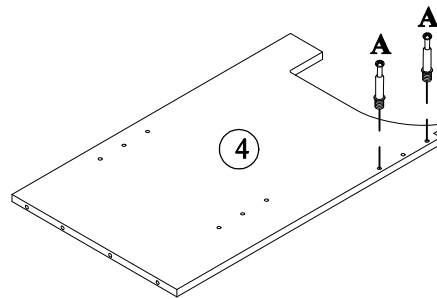
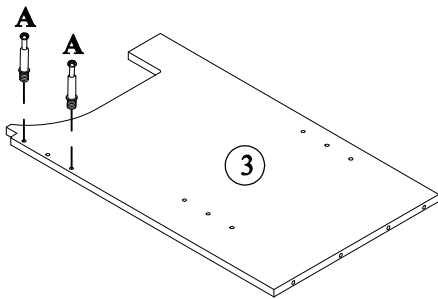
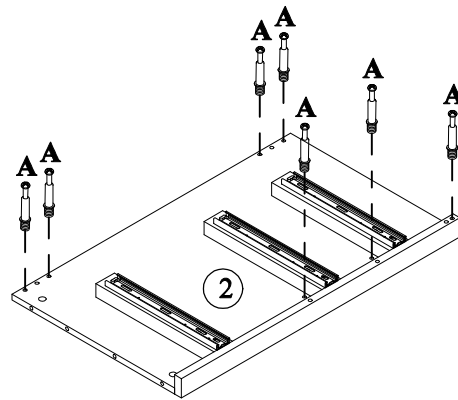
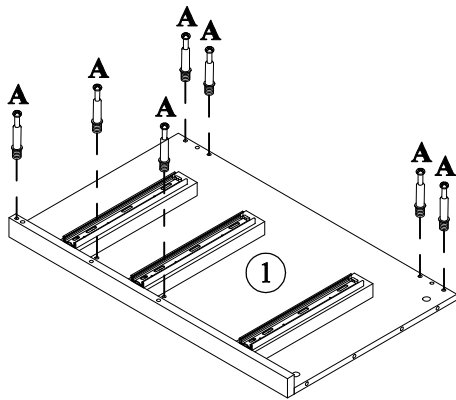
## WARNING!

1. Do not attempt to repair or modify parts that are broken or defective. Please contact the store immediately.
2. This product is for home use only and not intended for commercial establishments.
3. Two persons are required for assembly.
4. Approximate assembly time 1/2 hours.
5. Component parts and fittings contained in the box. Please sort out all parts before you begin to assemble the item. This is to make sure you always use the correct part.
6. It is **STRONGLY RECOMMENDED** that you **ANCHOR** this product. Tipping furniture can cause serious injuries and death. To prevent your furniture from tipping forward it is strongly recommended that you securely attach this product to a wall or other solid surface, using the anchor straps provided appropriate fixings.

No.	Hardware	Q'ty
A	 Cam Lock Screws	33
B	 Cam Lock	33
C	 Screws $\varnothing 8 \times \varnothing 4 \times 25 \text{mm}$	4
D	 Screws $\varnothing 8 \times \varnothing 4 \times 32 \text{mm}$	48
E	 Handle	11
F	 Screws $\varnothing 5/32" \times 15 \text{mm}$	4
G	 Screws $\varnothing 5/32" \times 20 \text{mm}$	3
H	 Screws $\varnothing 5/32" \times 25 \text{mm}$	4
I	 L-Bracket	2

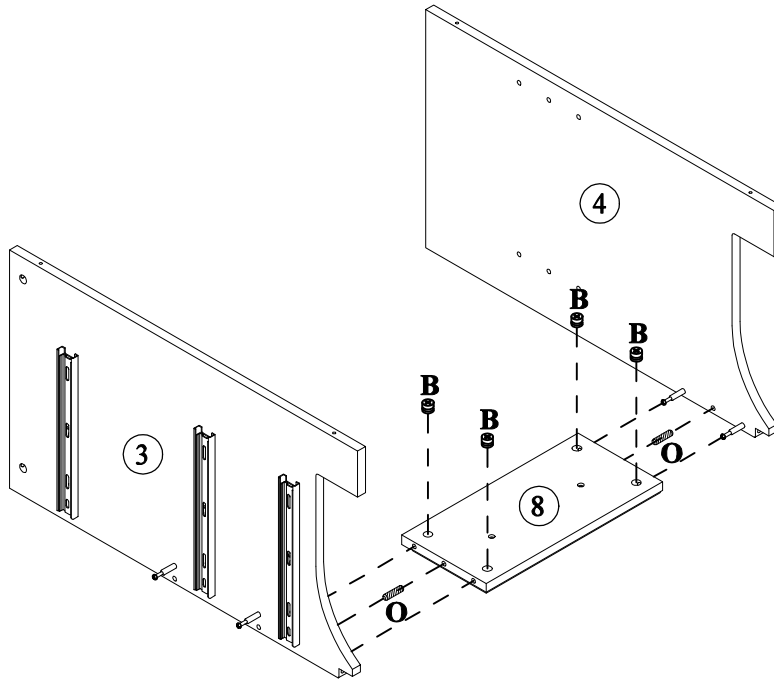
No.	Hardware	Q'ty
J	 Screws $\varnothing 7 \times \varnothing 3.5 \times 12 \text{mm}$	8
K	 Shelf Support	4
L	 Hinges	2
M	 Screws $\varnothing 7 \times \varnothing 3.5 \times 15 \text{mm}$	12
N	 Wooden $\varnothing 6 \times 30 \text{mm}$	32
O	 Wooden $\varnothing 8 \times 30 \text{mm}$	28
P	 Anti fall hardware (sets)	1
		Not Included

**Step 1**



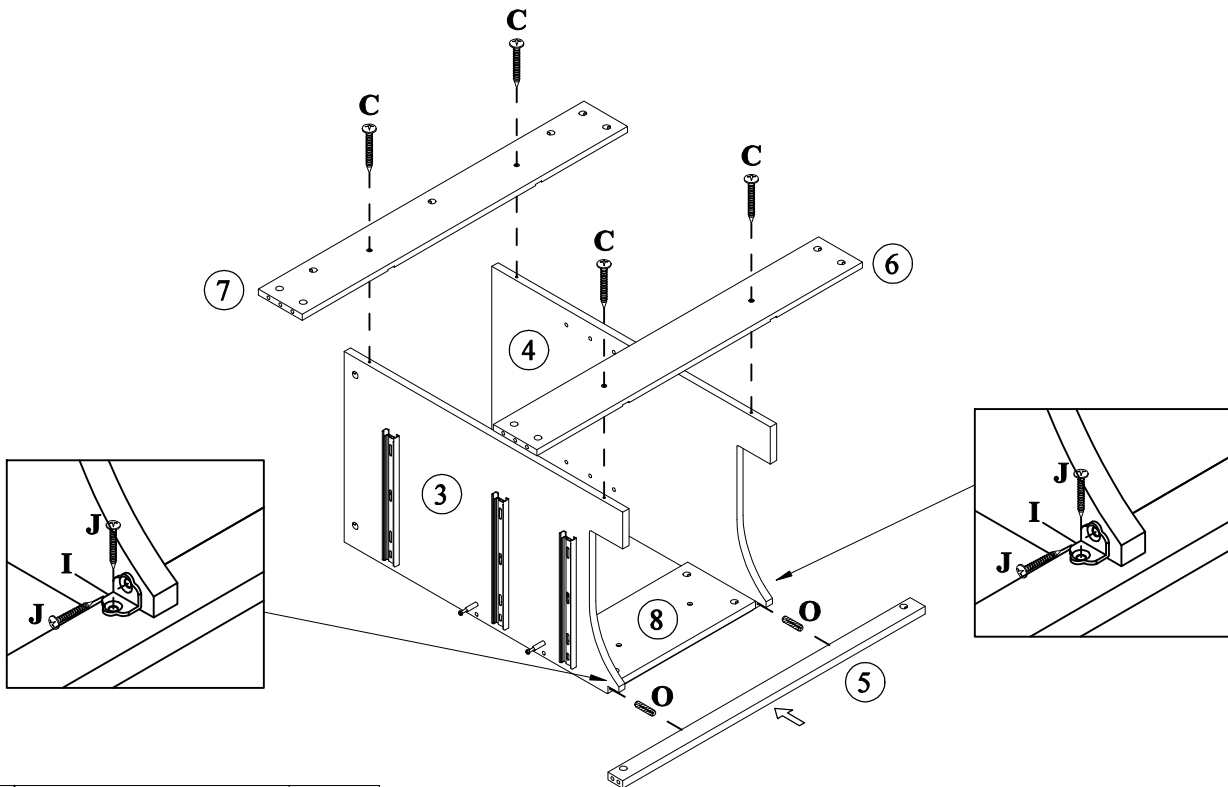
No	Hardware	Q'ty
A	Cam Lock Screws	33

## Step 2



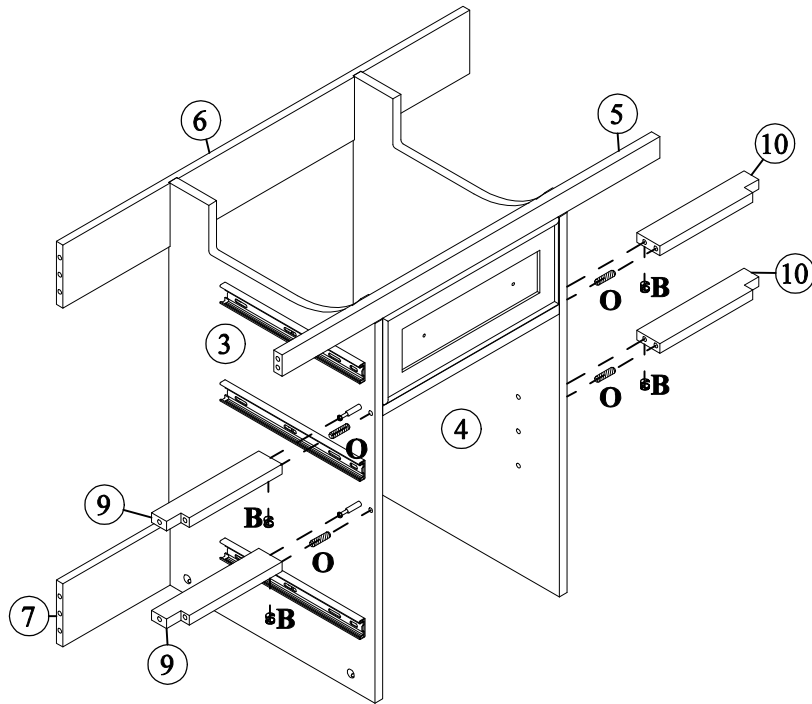
No	Hardware	Q'ty
B	Cam Lock	4
O	Wooden $\varnothing 8 \times 30 \text{mm}$	2

## Step 3



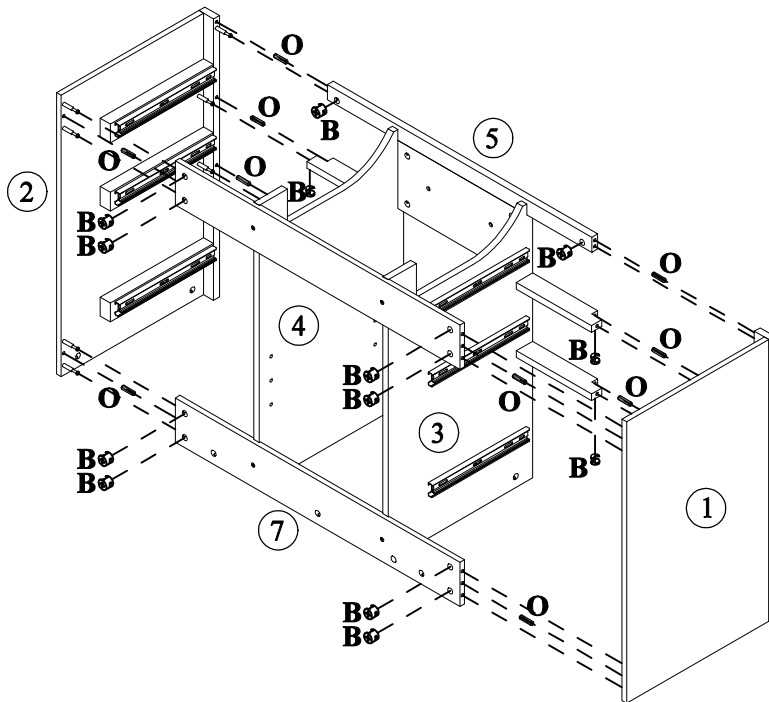
No	Hardware	Q'ty
C	Screws $\varnothing 8 \times \varnothing 4 \times 32 \text{mm}$	4
I	L-Bracket	2
J	Screws $\varnothing 7 \times \varnothing 3.5 \times 12 \text{mm}$	4
O	Wooden $\varnothing 8 \times 30 \text{mm}$	2

### Step 4



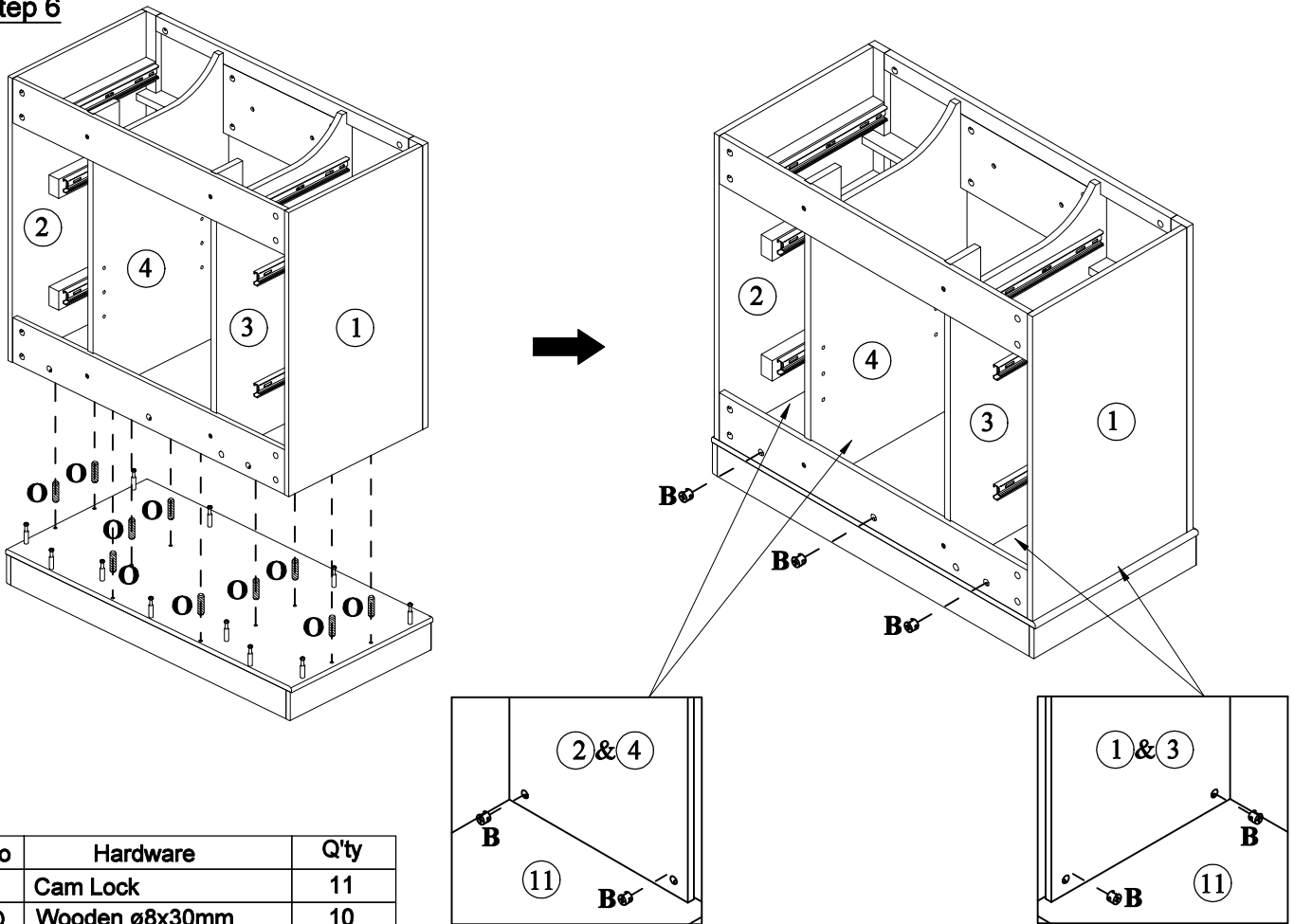
No	Hardware	Q'ty
B	Cam Lock	4
O	Wooden ø8x30mm	4

### Step 5



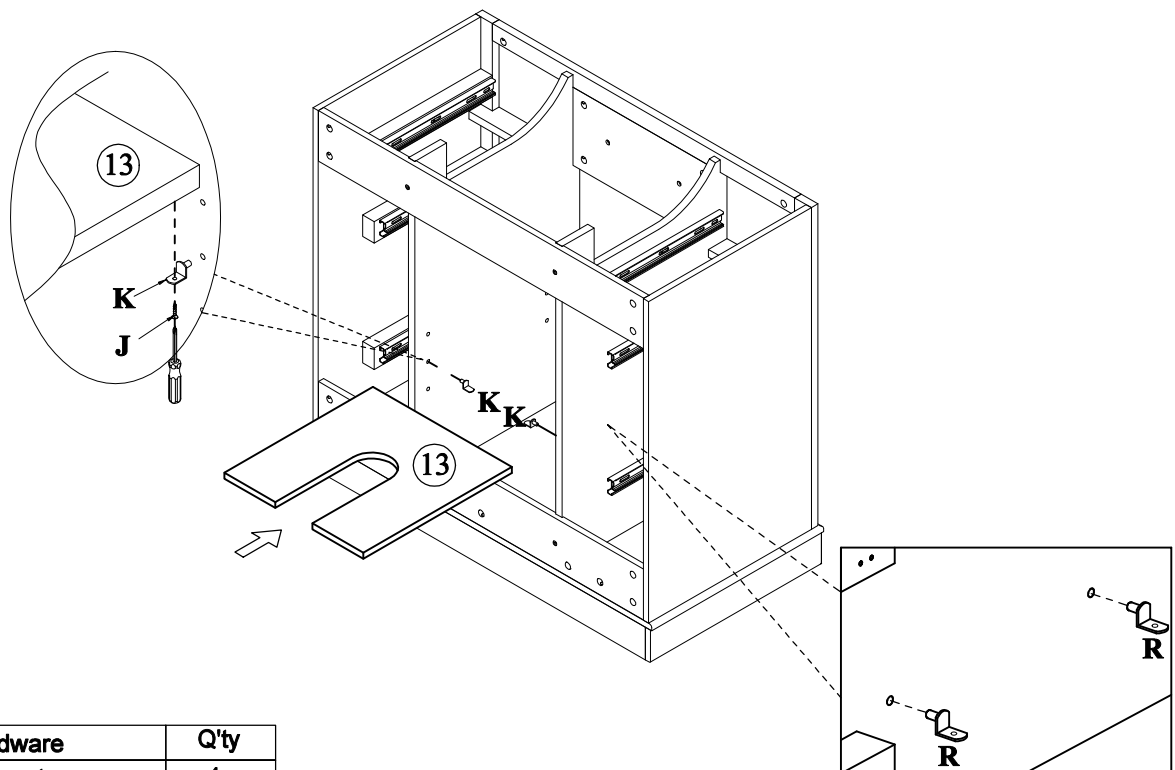
No	Hardware	Q'ty
B	Cam Lock	14
O	Wooden ø8x30mm	10

### Step 6



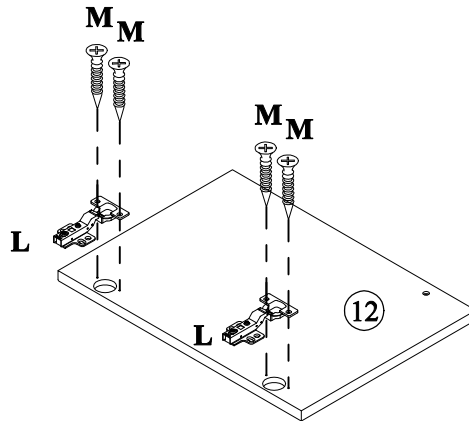
No	Hardware	Q'ty
B	Cam Lock	11
O	Wooden $\varnothing 8 \times 30 \text{mm}$	10

### Step 7



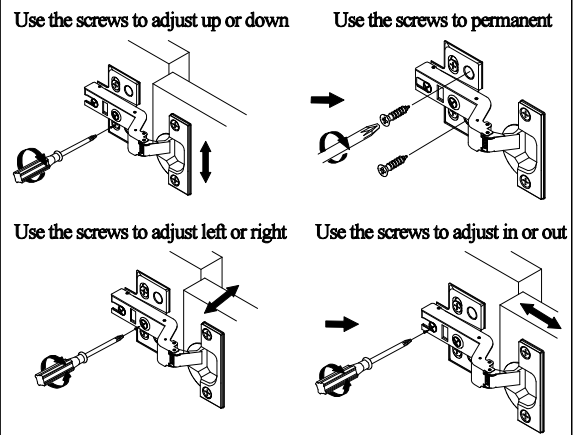
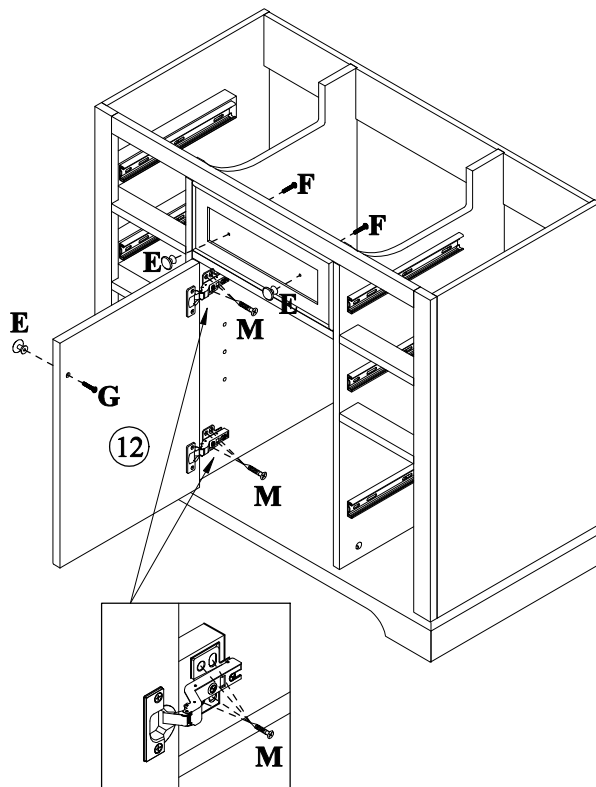
No	Hardware	Q'ty
K	Shelf Support	4
J	Screws $\varnothing 7 \times \varnothing 3.5 \times 12 \text{mm}$	4

### Step 8



No	Hardware	Q'ty
L	Hinges	2
M	Screws $\varnothing 7 \times \varnothing 3.5 \times 15 \text{mm}$	4

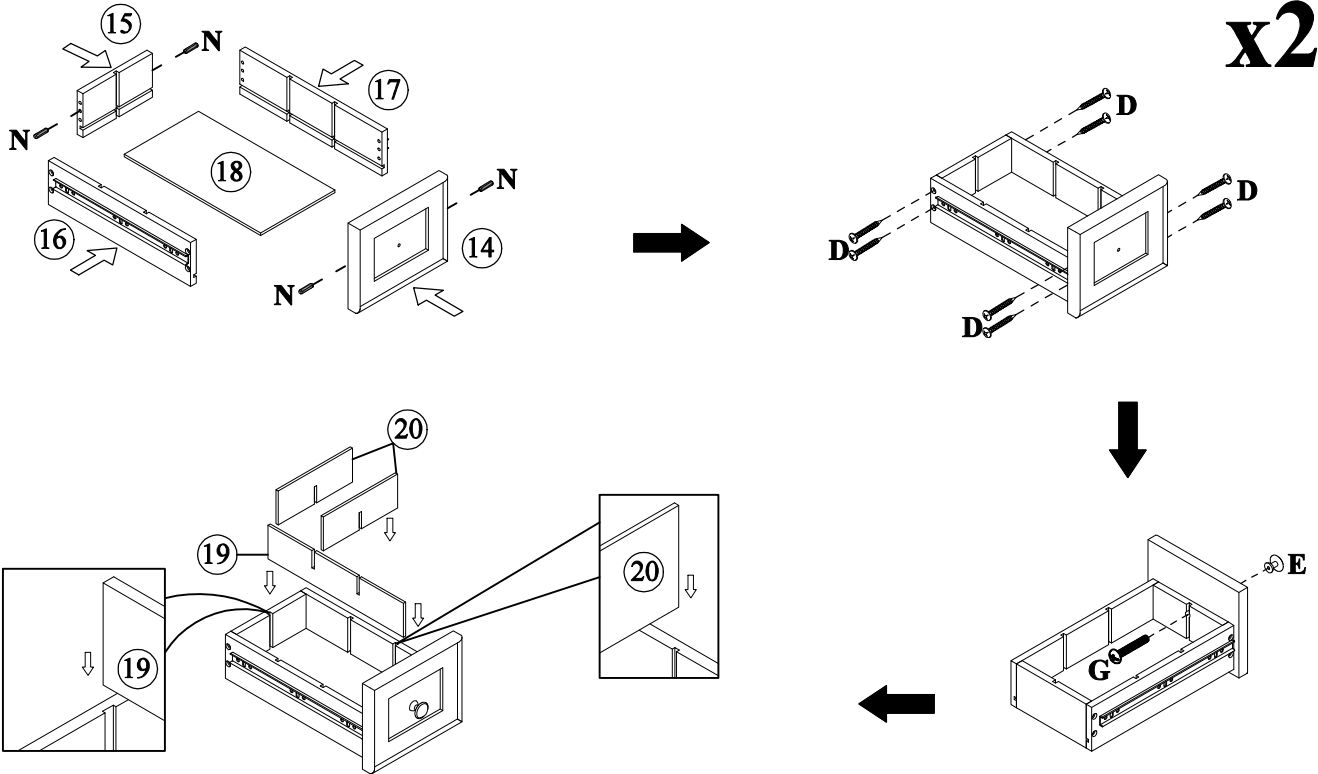
### Step 9



No	Hardware	Q'ty
M	Screws $\varnothing 7 \times \varnothing 3.5 \times 15 \text{mm}$	8
E	Handle	3
F	Screws $\varnothing 5/32" \times 15 \text{mm}$	2
G	Screws $\varnothing 5/32" \times 20 \text{mm}$	1

**Step 10**

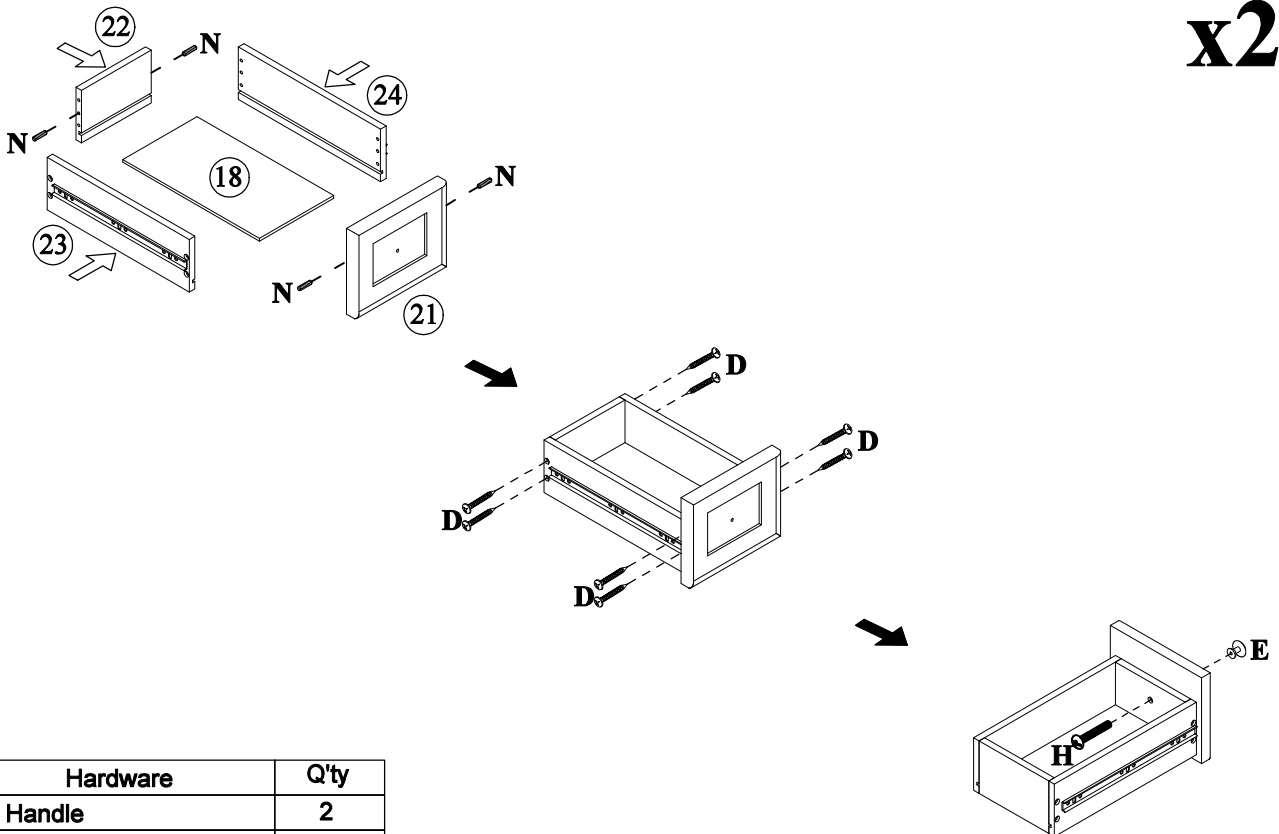
**x2**



No	Hardware	Q'ty
E	Handle	2
G	Screws $\phi 5/32" \times 20\text{mm}$	2
N	Wooden $\phi 6 \times 30\text{mm}$	8
D	Screws $\phi 8 \times \phi 4 \times 32\text{mm}$	16

**Step 11**

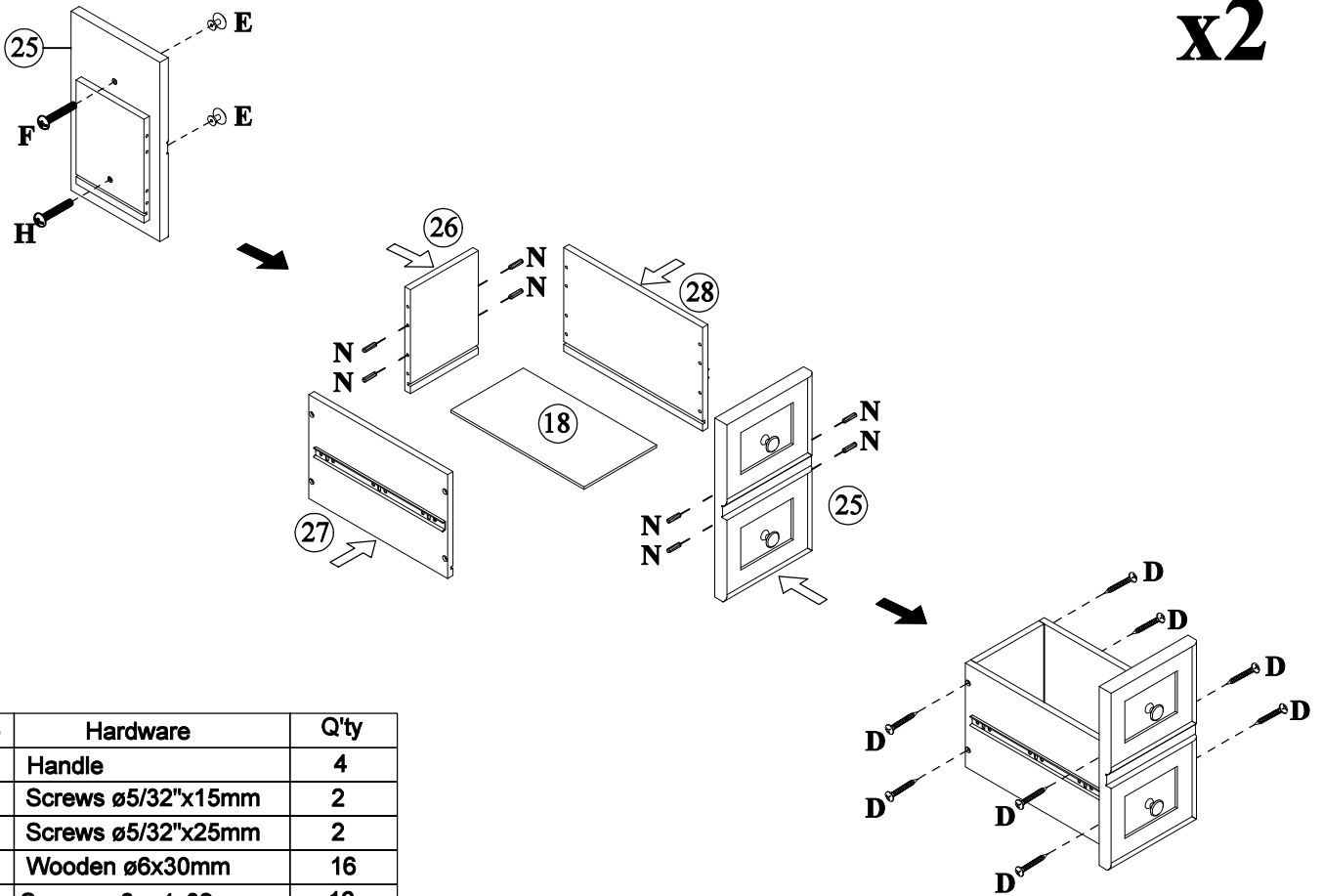
**x2**



No	Hardware	Q'ty
E	Handle	2
H	Screws $\phi 5/32" \times 25\text{mm}$	2
N	Wooden $\phi 6 \times 30\text{mm}$	8
D	Screws $\phi 8 \times \phi 4 \times 32\text{mm}$	16

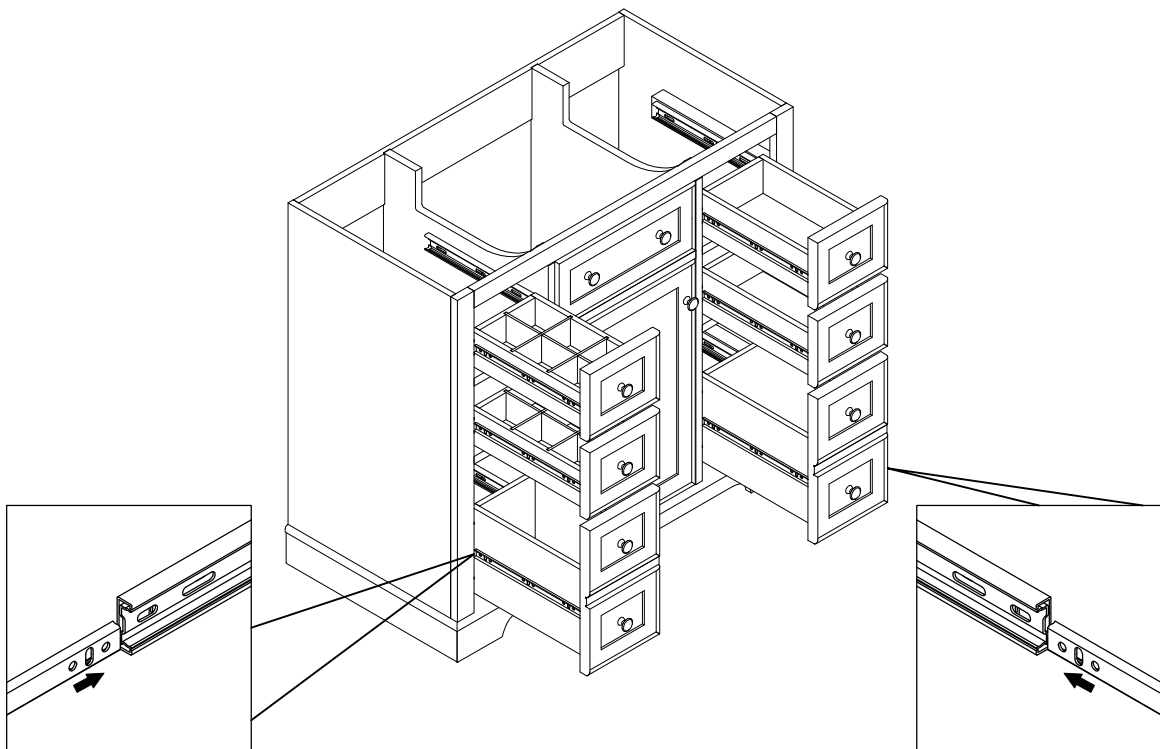
### Step 12

x2

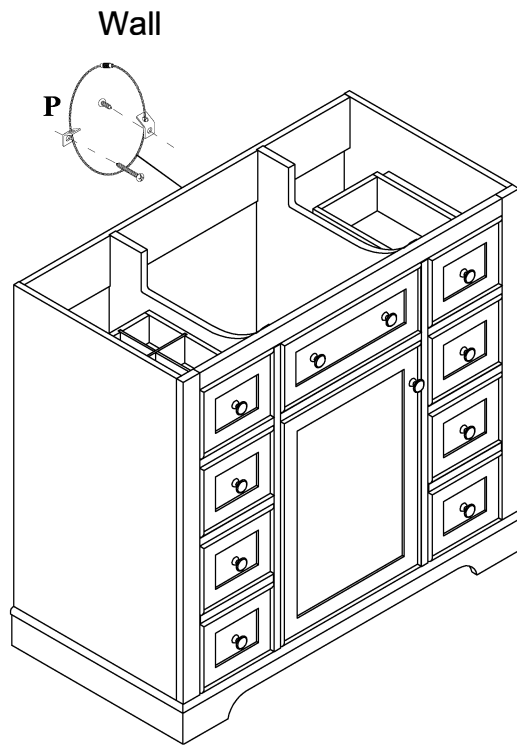


No	Hardware	Q'ty
E	Handle	4
F	Screws $\varnothing 5/32'' \times 15\text{mm}$	2
H	Screws $\varnothing 5/32'' \times 25\text{mm}$	2
N	Wooden $\varnothing 6 \times 30\text{mm}$	16
D	Screws $\varnothing 8 \times \varnothing 4 \times 32\text{mm}$	16

### Step 13

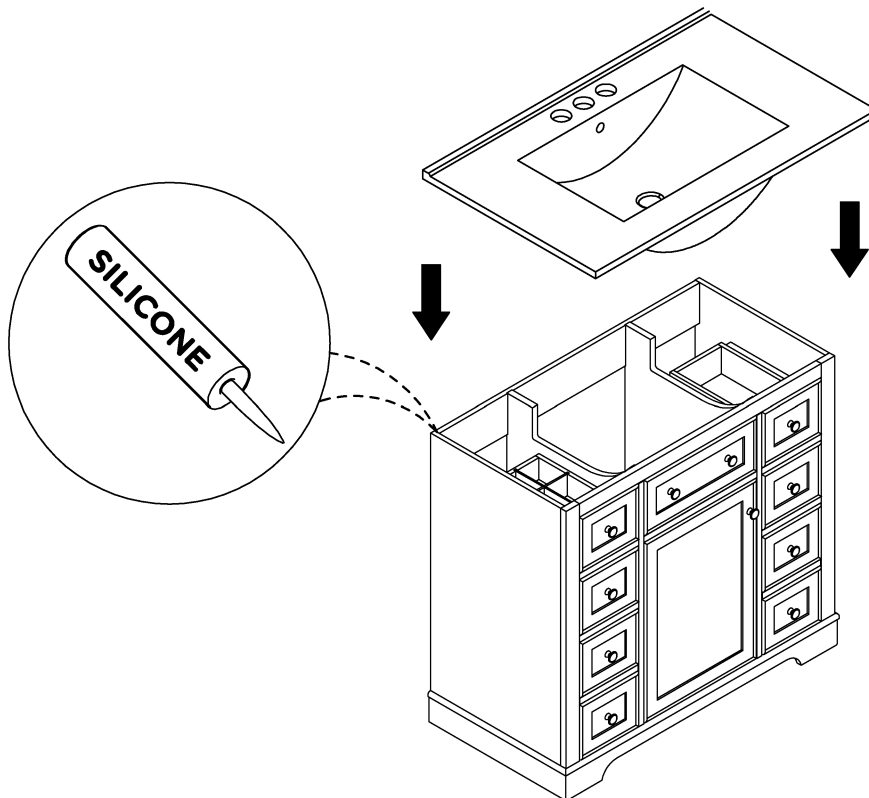


**Step 14**



No	Hardware	Q'ty
P	Anti fall hardware	1

**Step 15**



**Step 16**

