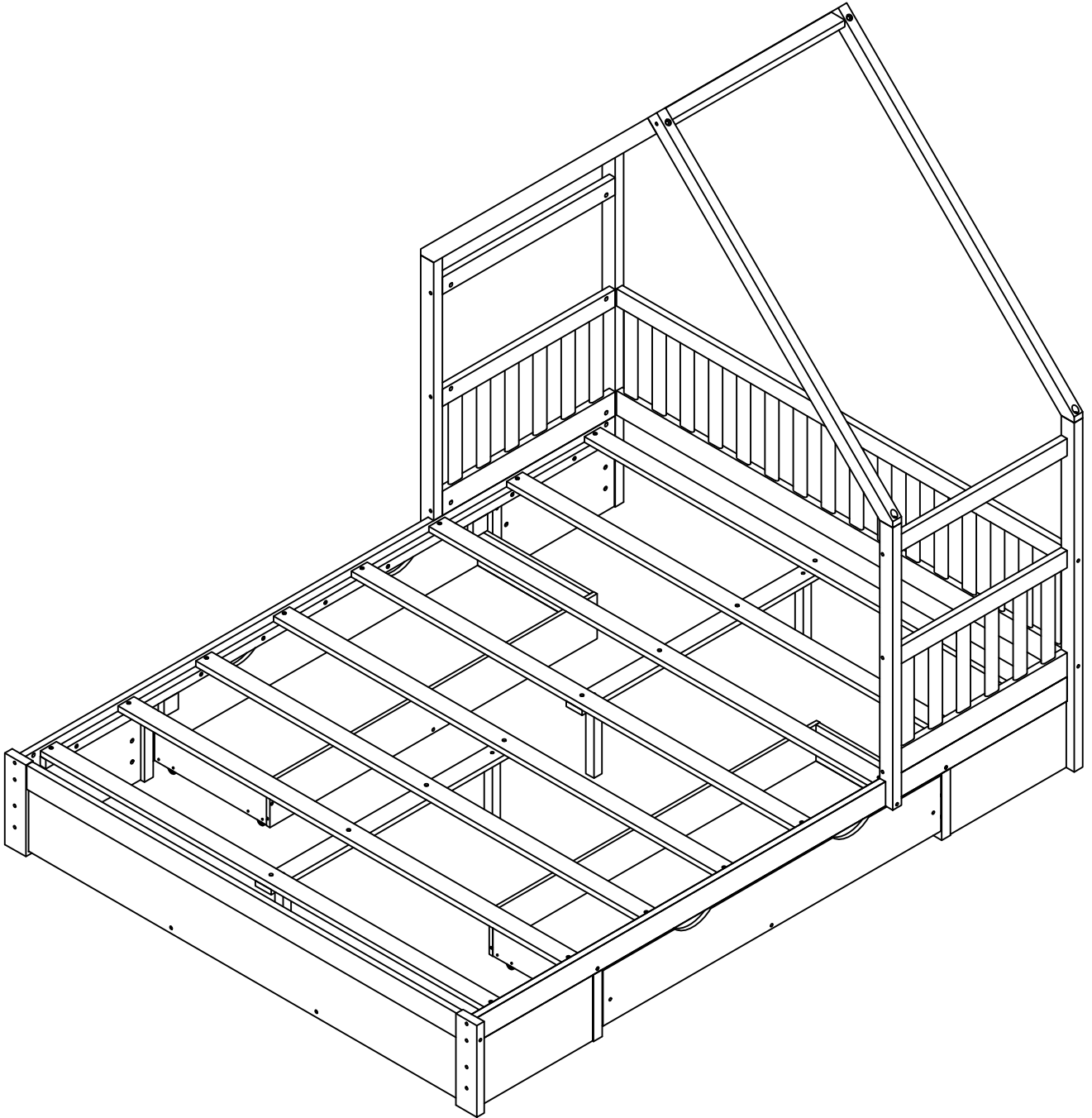
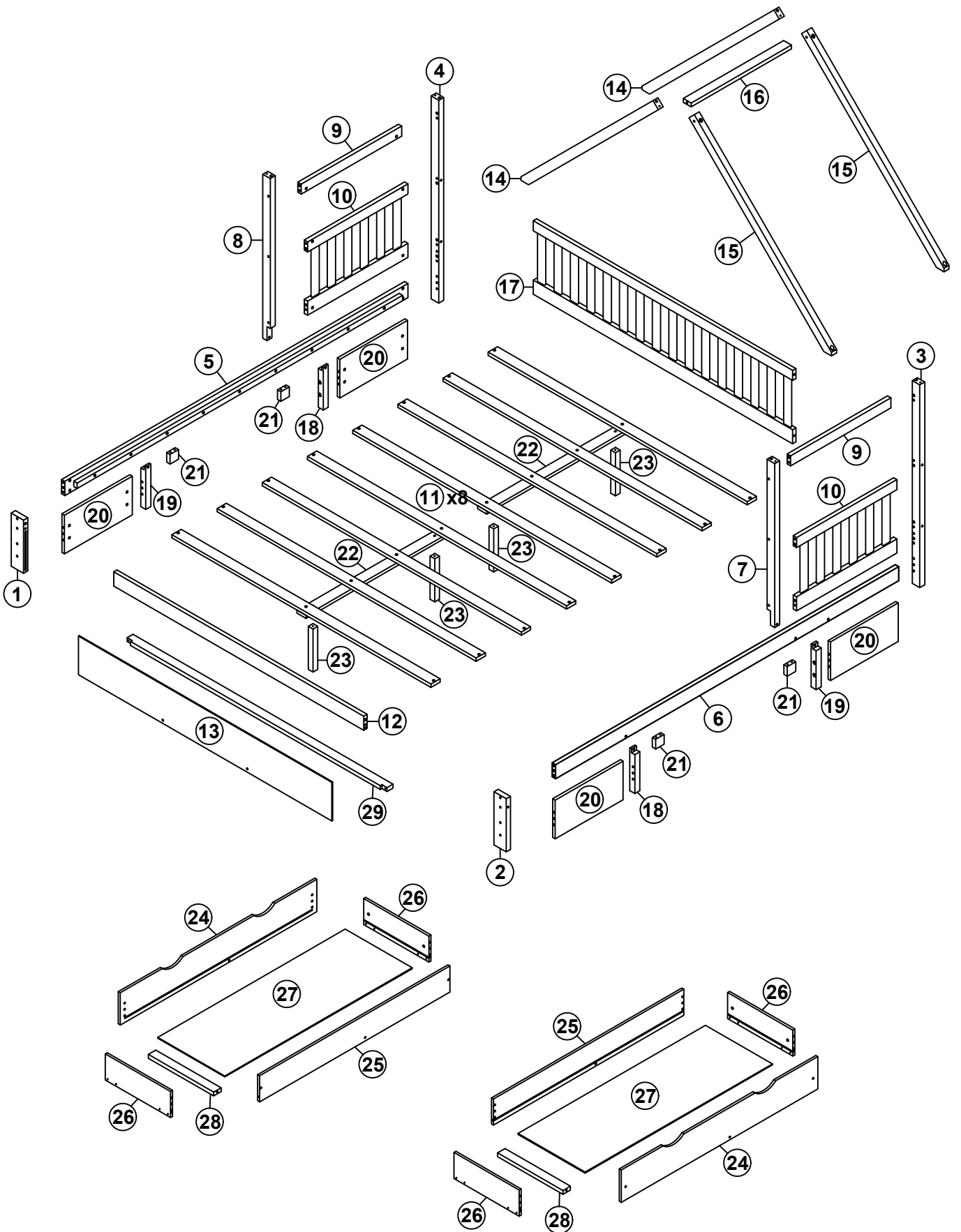


ASSEMBLY INSTRUCTIONS

QUEEN SIZE HOUSE BED WITH DRAWERS


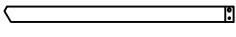
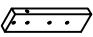
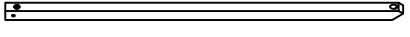
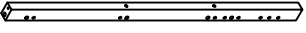
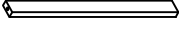
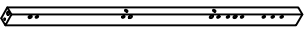
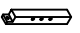


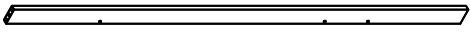

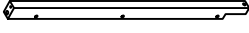
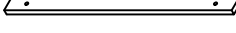

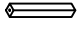
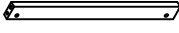
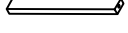
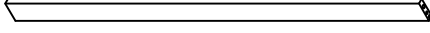
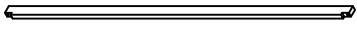
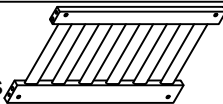
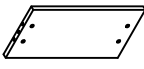
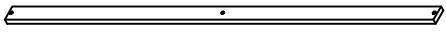
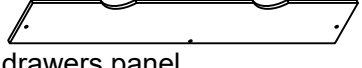
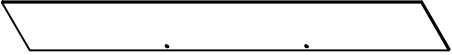

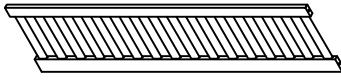
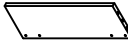



ASSEMBLY INSTRUCTIONS










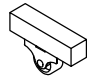









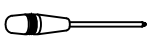
ASSEMBLY INSTRUCTIONS

Hardware

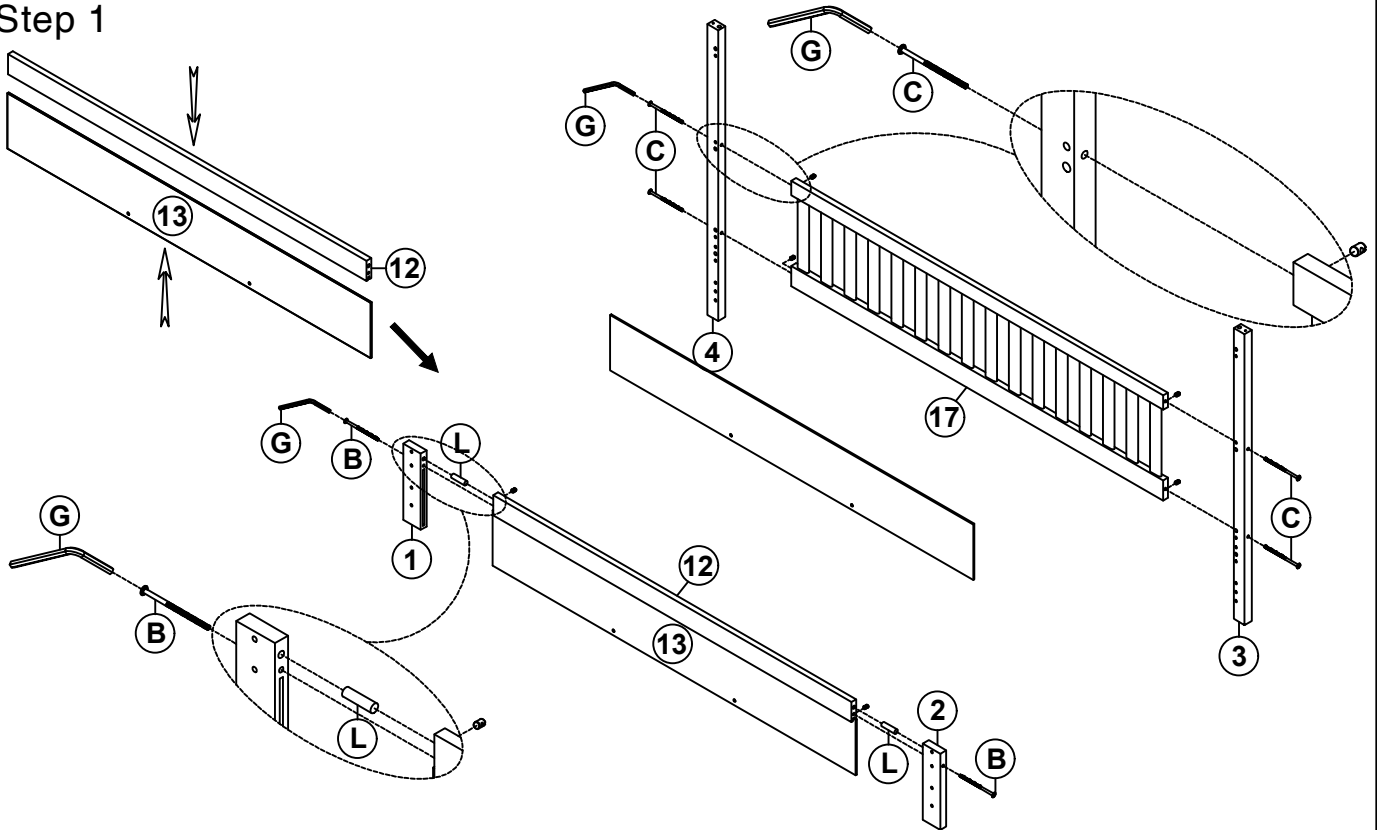
1	Leg		1pc	14	Roof top		2pcs
2	Leg		1pc	15	Roof top		2pcs
3	Leg		1pc	16	Support roof top		1pc
4	Leg		1pc	18	Support side rail		2pcs
5	Side rail		1pc	19	Support side rail		2pcs
6	Side rail		1pc	21	Drawers stopper		4pcs
7	Support guard rails		1pc	22	Center rails		2pcs
8	Support guard rails		1pc	23	Center rails legs support		4pcs
9	Guard rails		2pcs	28	Drawers support		2pcs
12	Headboard panel		1pc	29	Headboard panel support		1pc
10	Frame guard rails		2pcs	20	Protective plate		4pcs
11	Slats		8pcs	24	Front drawers panel		2pcs
13	Headboard frames		1pc	25	Back drawers panel		2pcs
17	Frame guard rails		1pc	26	Drawers panel		4pcs
				27	Bottom drawers panel		2pcs





ASSEMBLY INSTRUCTIONS

Hardware

A	Ø4x30		50PCS		K	1/4x40		2PCS
B	1/4x110		2PCS		L	Ø10x40		24PCS
C	1/4x90		4PCS		M	Ø8x30		24PCS
D	1/4x75		18PCS		N			8PCS
E	1/4x65		20PCS		O	1/4x25		4PCS
F	1/4x50		8PCS		P	Ø3.5x12		2PCS
G	4x58		1PC		Q	1/4x55		4PCS
H	6.5x60		2PCS		R	1/4x25		4PCS
I	6.5x50		8PCS		Phillip head screw Not include			

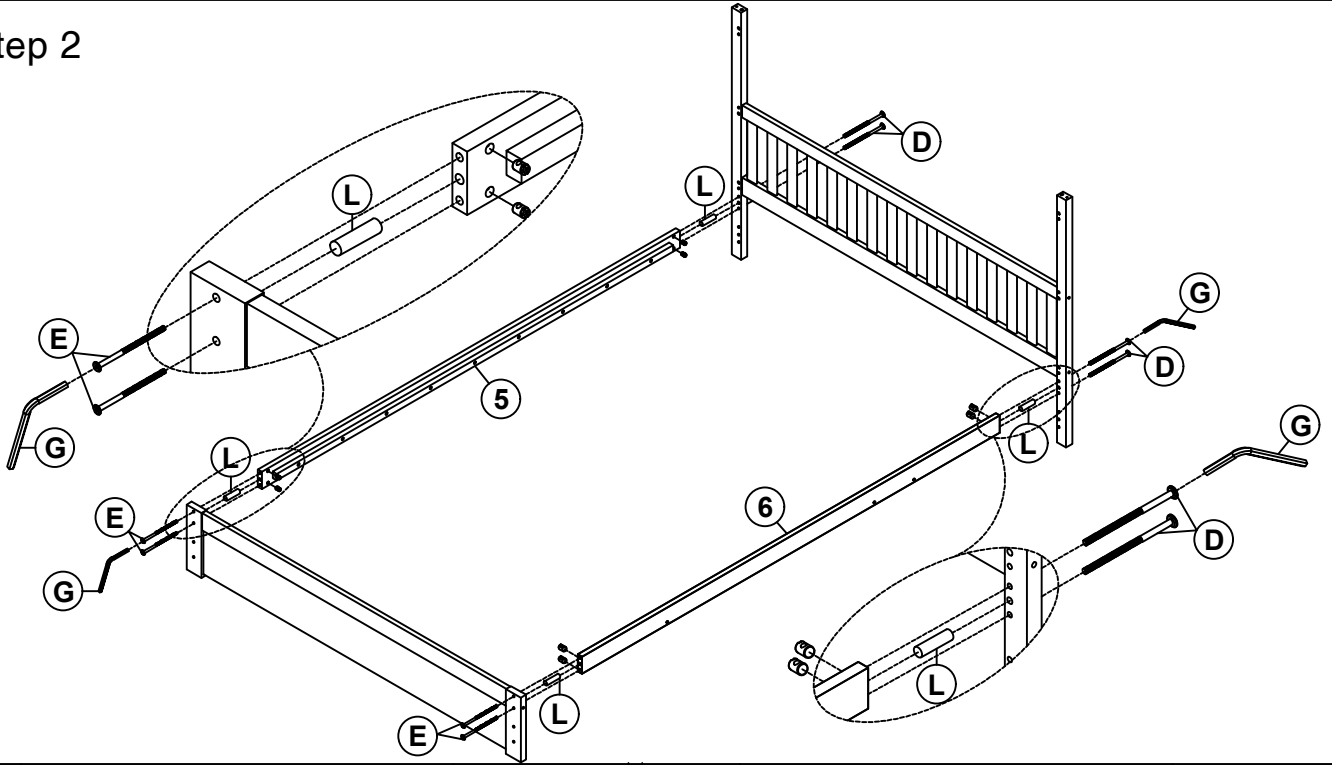
Step 1







B	1/4x110		2PCS		L	Ø10x40		2PCS
C	1/4x90		4PCS		G	4x58		1PC

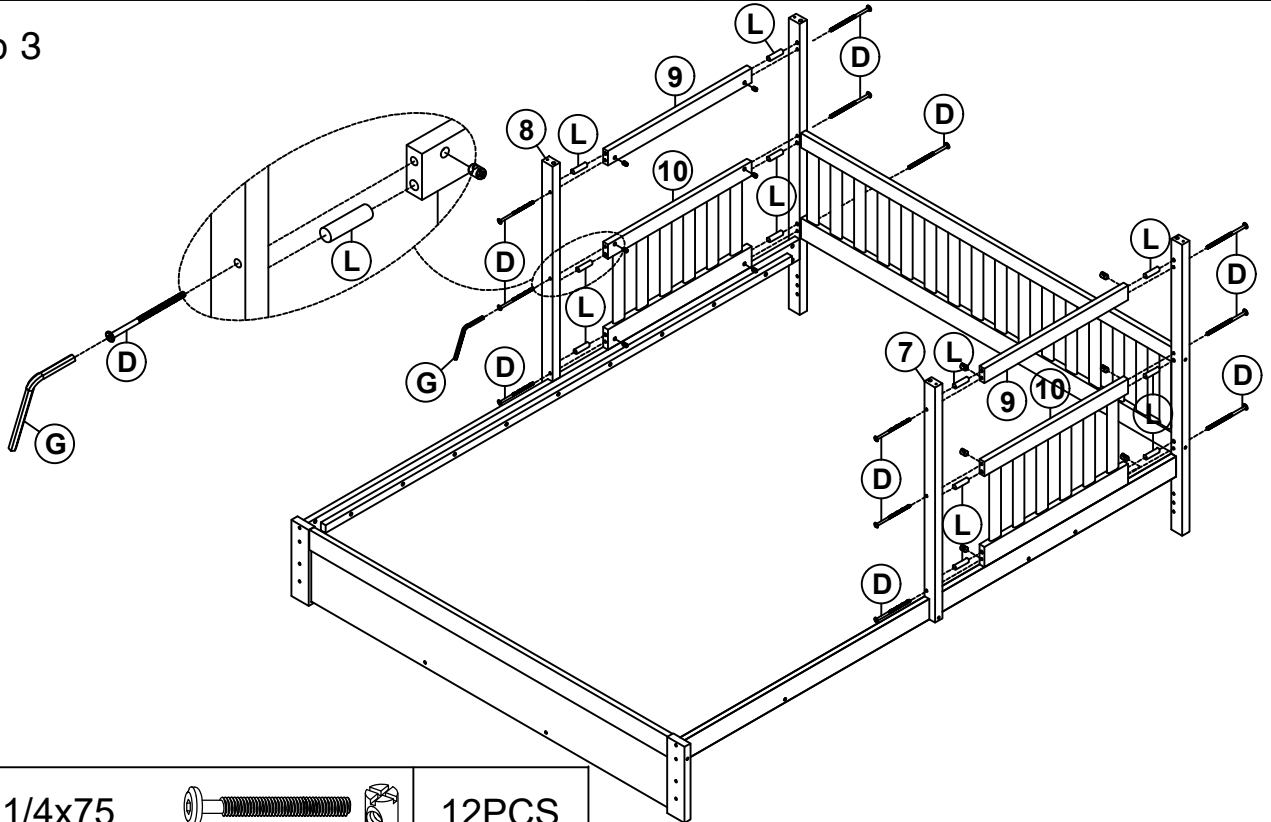
ASSEMBLY INSTRUCTIONS




Step 2



E	1/4x65		4PCS	D	1/4x75		4PCS
L	Ø10x40		4PCS	G	4x58		1PC

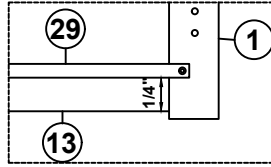
Step 3



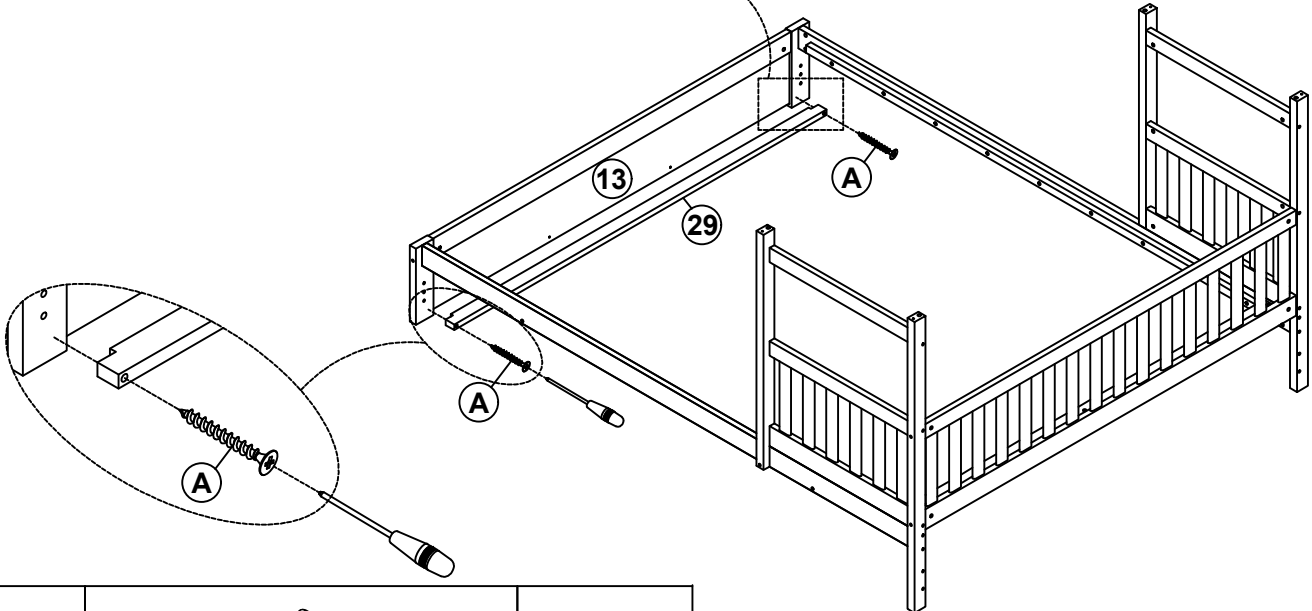
D	1/4x75		12PCS	L	Ø10x40		12PCS
G	4x58		1PC				

ASSEMBLY INSTRUCTIONS

Step 4

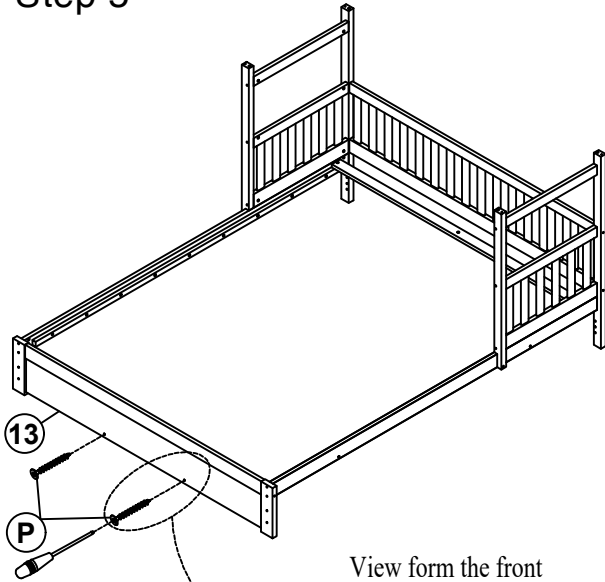


The distance from the lower part of number 13 to the lower part of number 29 is 1/4".

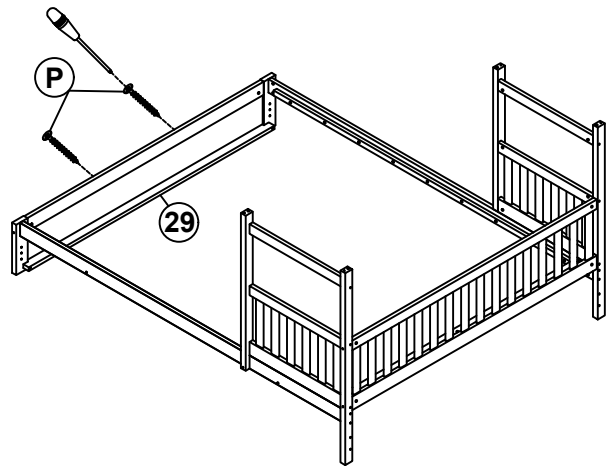


A	Ø4x30		2PCS
----------	-------	---	------

Step 5



View form the front

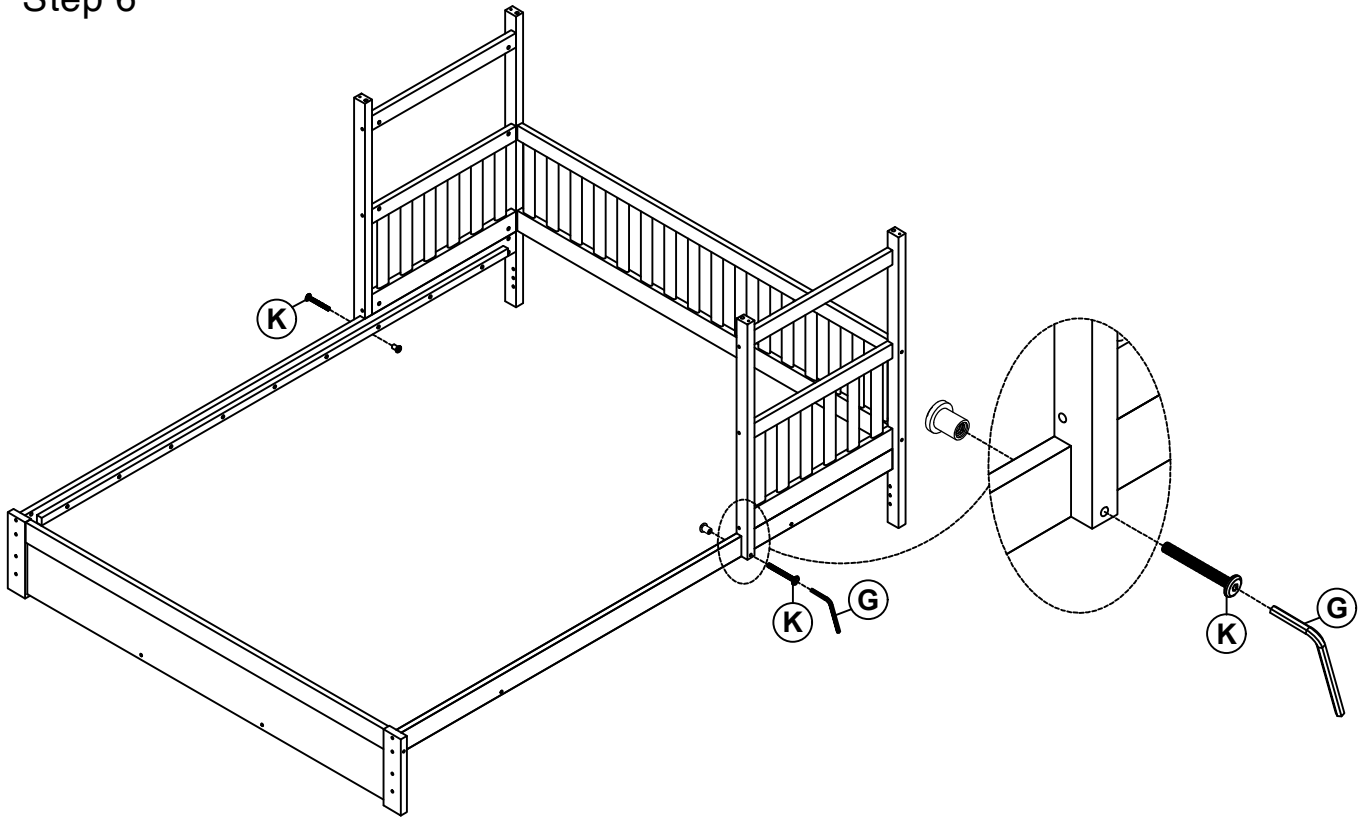




View form the back

P	Ø3.5x12		2PCS
----------	---------	---	------

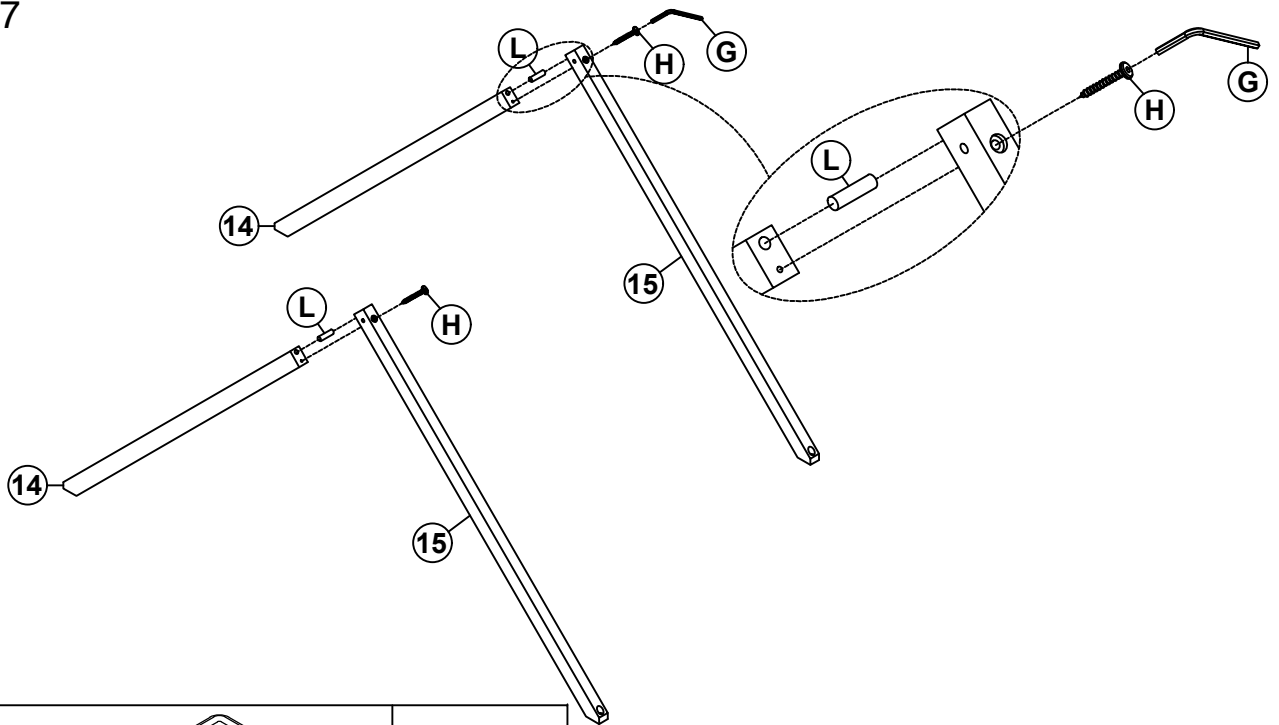
ASSEMBLY INSTRUCTIONS




Step 6



K	1/4x40		2PCS	G	4x58		1PC
----------	--------	---	------	----------	------	---	-----

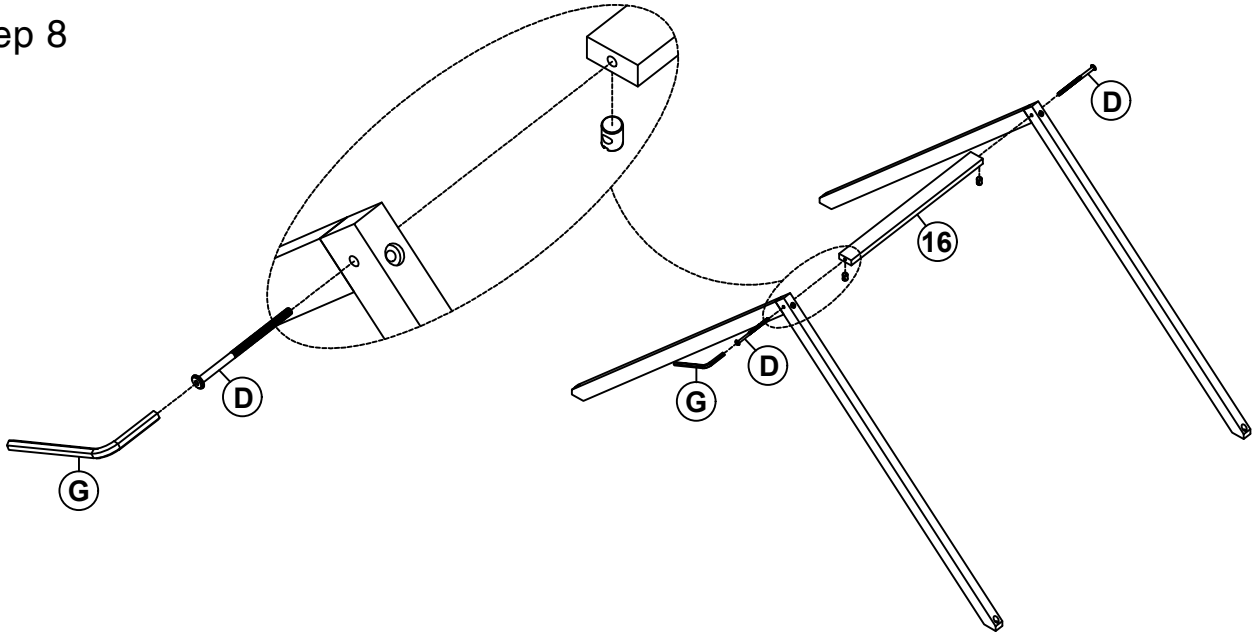
Step 7





G	4x58		1PC	H	6.5x60		2PCS	L	Ø10x40		2PCS
----------	------	---	-----	----------	--------	---	------	----------	--------	---	------

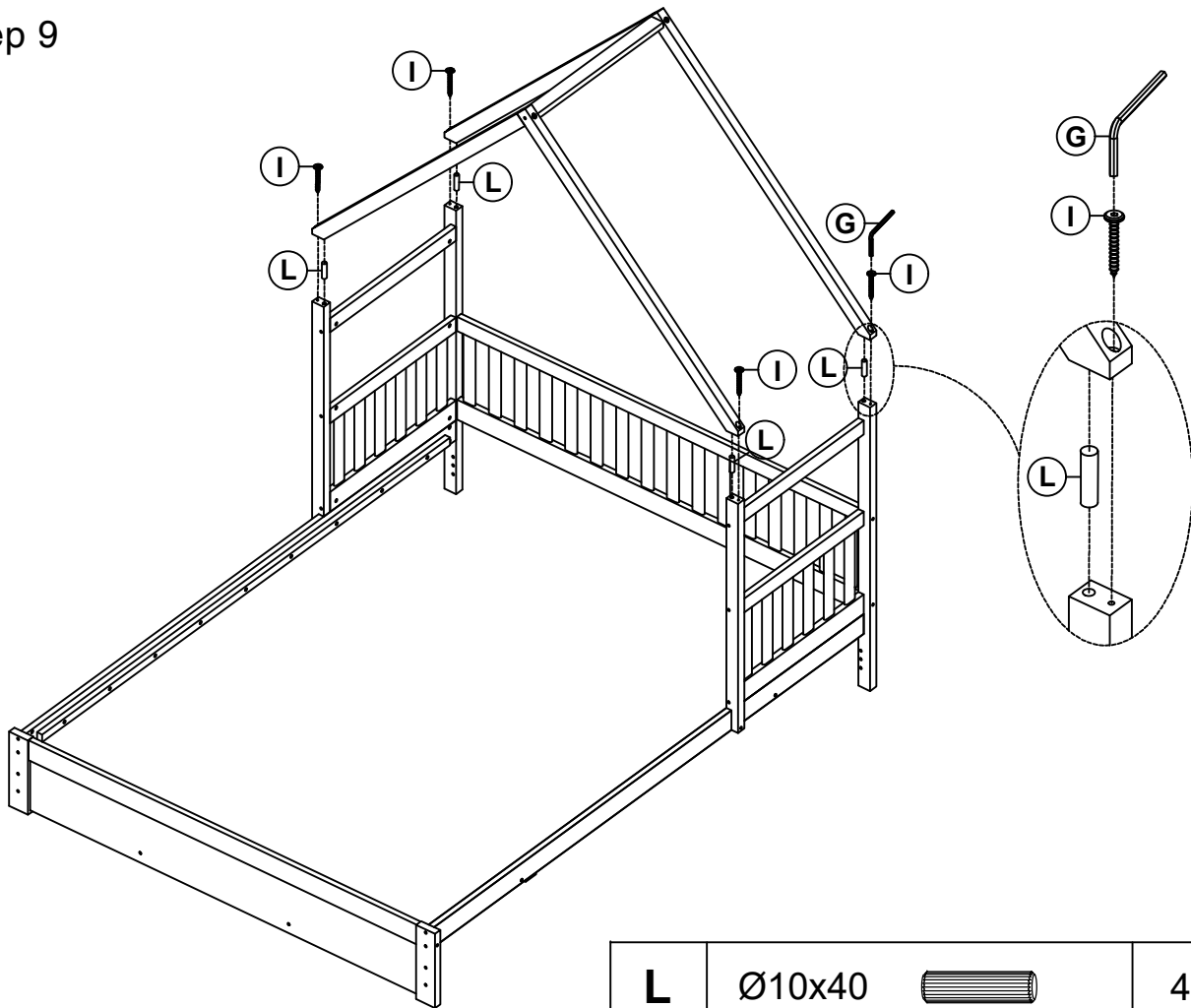
ASSEMBLY INSTRUCTIONS




Step 8



D	1/4x75		2PCS	G	4x58		1PC
----------	--------	---	------	----------	------	---	-----

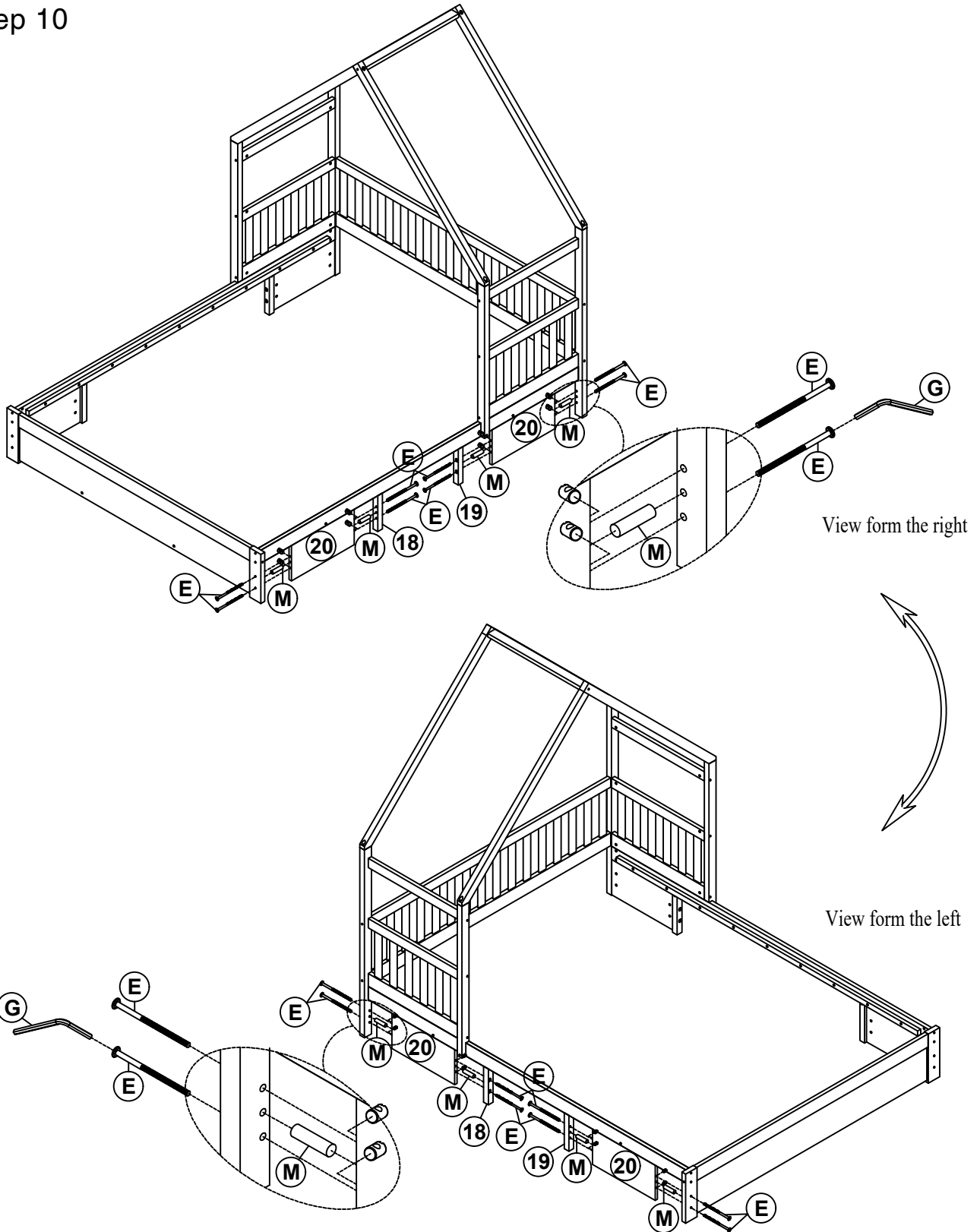
Step 9

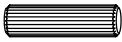




L	Ø10x40		4PCS	I	6.5x50		4PCS
G	4x58		1PC				

ASSEMBLY INSTRUCTIONS

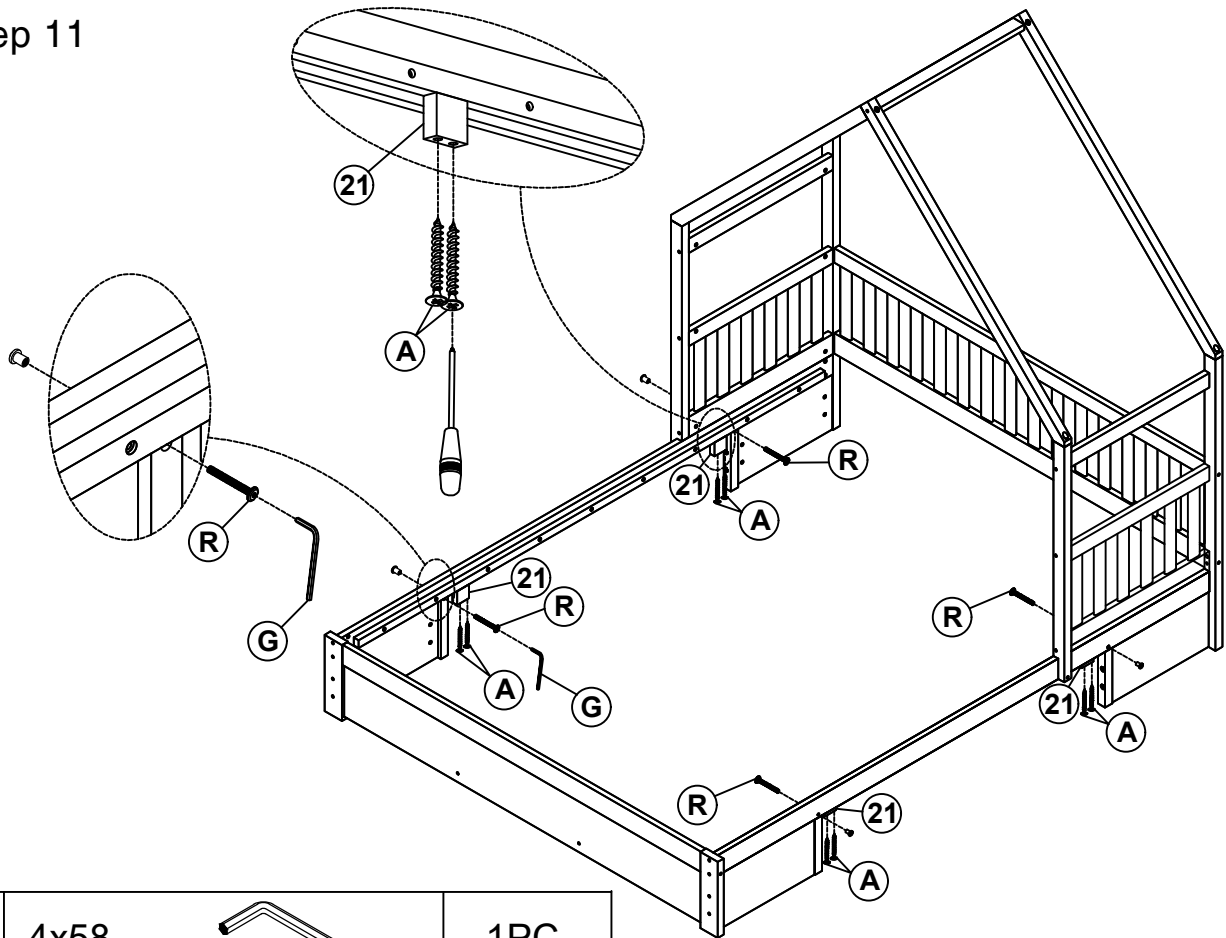
Step 10






M	Ø8x30		8PCS			
E	1/4x65		16PCS	G	4x58	
						1PC

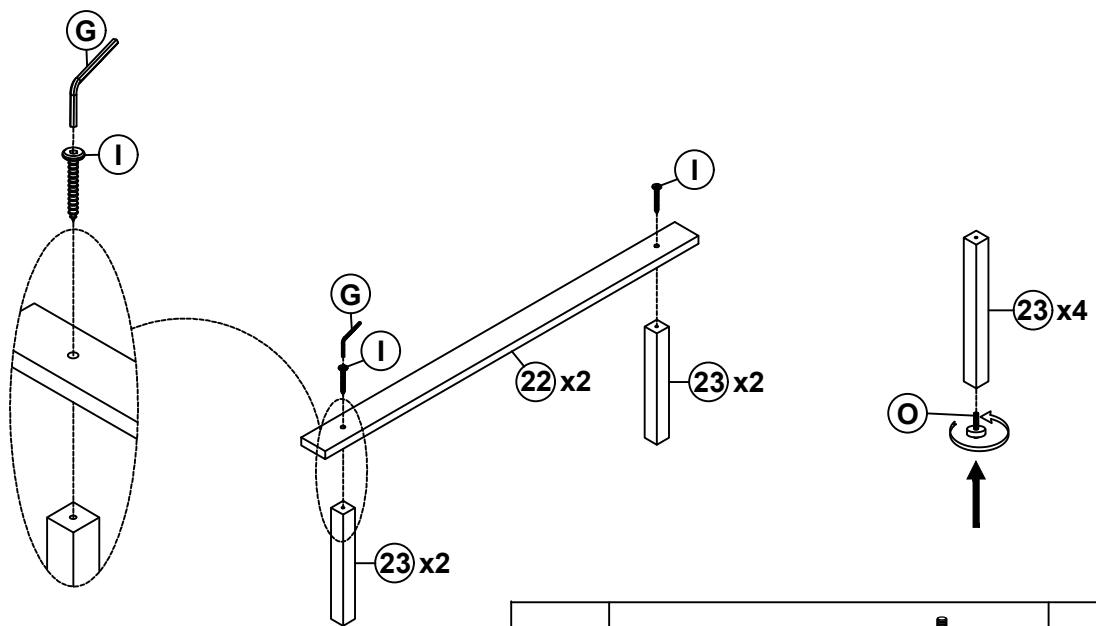
ASSEMBLY INSTRUCTIONS




Step 11



G	4x58		1PC			
A	Ø4x30		8PCS	R	1/4x25	 4PCS

Step 12

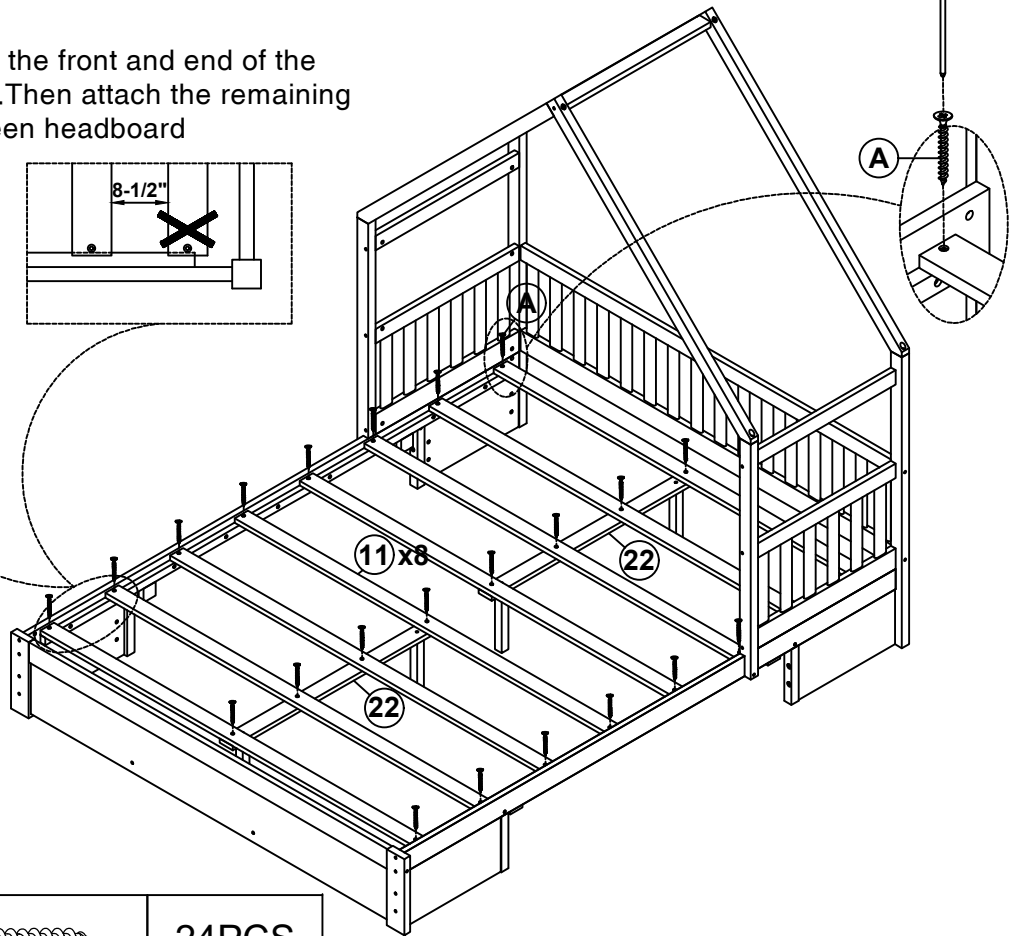
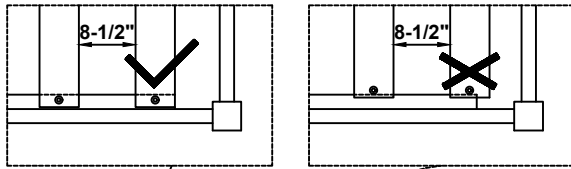


				O	1/4x25		4PCS
I	6.5x50		4PCS	G	4x58		1PC

ASSEMBLY INSTRUCTIONS

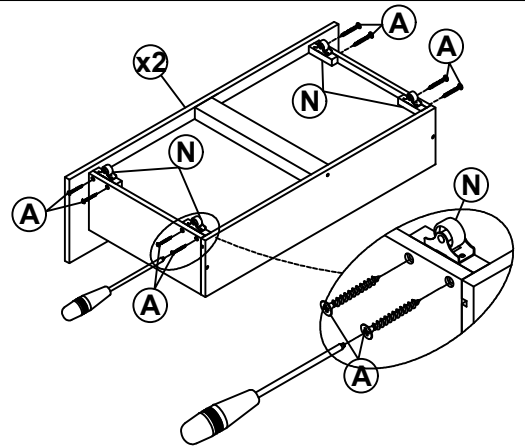
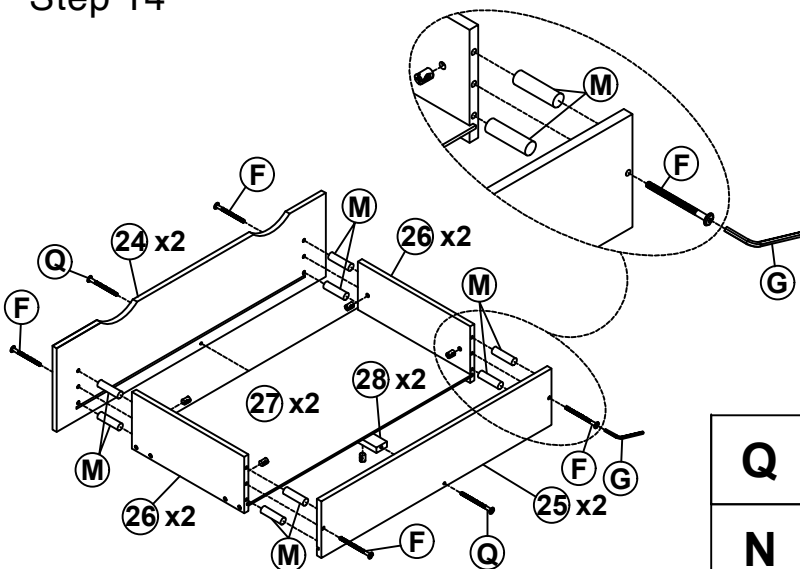
Step 13

First attach 2pcs part 11 to the front and end of the frame between headboard. Then attach the remaining part 11 equidistantly between headboard




A	Ø4x30		24PCS
----------	-------	---	-------

Step 14





A	Ø4x30		16PCS
----------	-------	---	-------

M	Ø8x30		16PCS
----------	-------	---	-------

Q	1/4x55		4PCS
----------	--------	---	------

N			8PCS
----------	--	---	------

G	4x58		1PC
----------	------	---	-----

F	1/4x50		8PCS
----------	--------	---	------

ASSEMBLY INSTRUCTIONS

Step 15

