




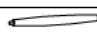
## CARE AND MAINTENANCE

Always use felt pads under all articles to prevent discoloration or softening of the lacquer. Plastic and rubber bases on items can discolor wood. Wipe up spills immediately and avoid common hazards such as hot dishes, harsh solvents and abrasives. Cleaning should be done with a soft lint free cotton cloth dampened with water.






## NOTICE

- \*Please make sure that you have all parts indicated before you begin assembly of this item
- \*This item should be assembled on a soft surface to prevent scratching the finish during assembly
- \*This item may require periodic tightening

### PARTS IDENTIFICATION:

	DESCRIPTION	FIGURE	QTY
A.	BACK REST- 1PC		1PC
B.	LEFT LEG FRAME		1PC
C.	RIGHT LEG FRAME		1PC
D.	STRETCHER		1PC

### HARDWARE IDENTIFICATION

No	Hardware List ( Each Chair )	Qty
HW1	JCBC Bolt 6 x 0.5 x 50 mm 	2
HW2	Barrel Nut 	2
HW3	JCBC Screw 7 x 0.5 x 35mm 	6
HW4	Allen Wrench 	1
HW5	Wood Button 	2

### PREPARATION

Before beginning assembly of product, make sure all parts are present. Compare parts with package contents list and hardware contents list.

If any part is missing or damaged, do not attempt to assemble the product.  
Estimated Assembly Time:10 minutes.

Tools Required for Assembly (included): N/A

PRODUCT DIMENSION: 18"W X20.5" D X 36.5" H

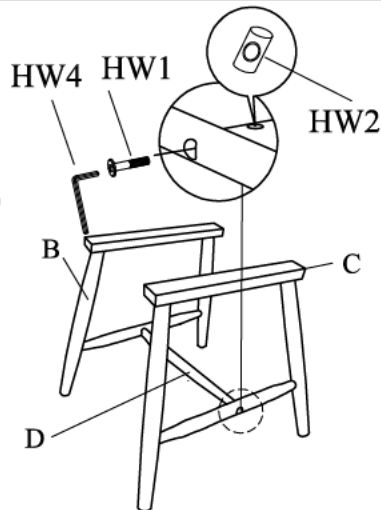


Weight Capacity: 275lbs

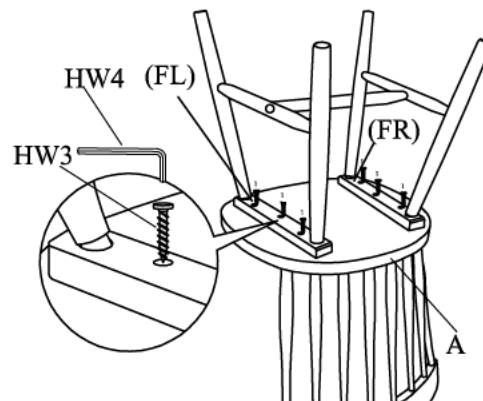
**WARNING: DO NOT STAND ON CHAIR**

#### STEP 1

Insert barrel Nut (HW2) into holes on stretcher ( D ) and assemble stretcher ( D ) using JCBC Bolts (HW1) in line with barrel nut (HW2) and Allen Wrench (HW4) .  
( Do not tighten yet. )

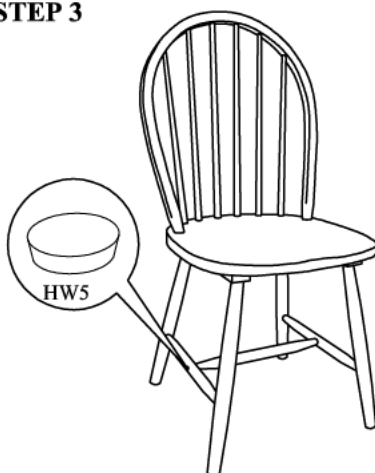


#### STEP 2



Position the frame assembly into the bottom of chair seat. Align and tighten bolt chair seat and frame using the Screw ( HW3 ) with Allen Wrench ( HW4 ) . Tighten all the screw in Step 1 and Step 2

#### STEP 3



Insert wood button ( HW5 ) to cover the hole in stretcher

#### STEP 4



**Complete**