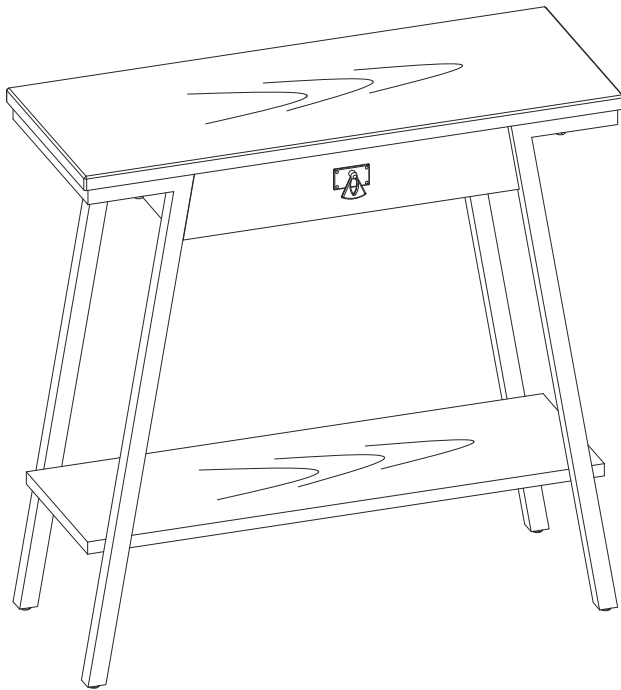


Assembly Instructions

Thank you for purchasing our products.
Contact customer service for comments or concerns.

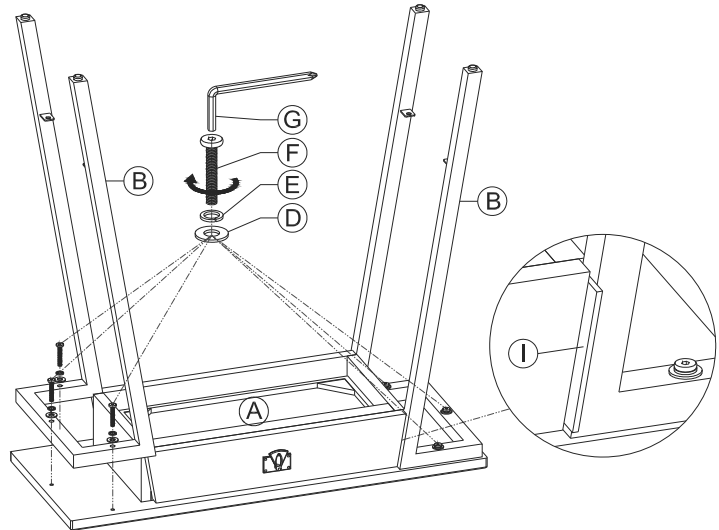
Hall Stand with Drawer



A: Top	
B: (2) Metal Legs	
C: Shelf	
D: (6) Flat Washers	
E: (6) Lock Washers	
F: (6) Bolts	
G: Allen Wrench	
H: (4) Screws	
I: (2) Plastic Spacer	

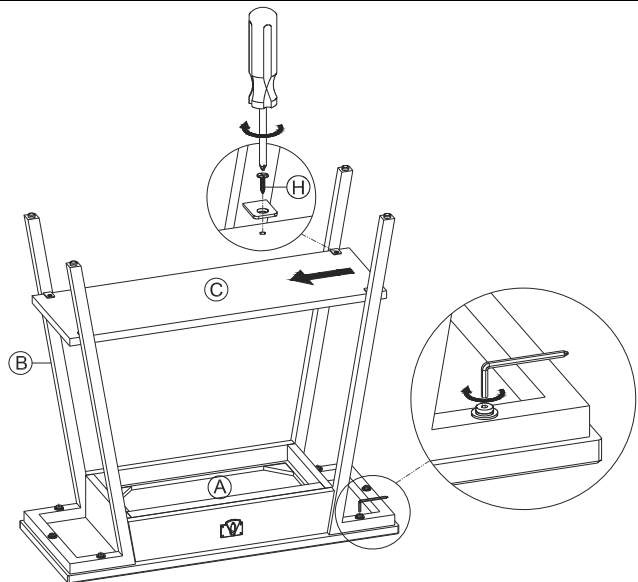
Step 1

Place the top upside down on a soft surface. Insert each plastic spacer (I) on two ends of drawer before fasten the metal legs (B) with bolts. Do not tighten.



Step 2

Slide the shelf into the table and fasten the shelf with screws into the plastic inserts. Now tighten all bolts in step one. Open the drawer to remove the plastic spacer. (Plastic spacer keeps the proper drawer clearance.)



Step 3

Adjust levelers on the bottom of metal legs if needed.

