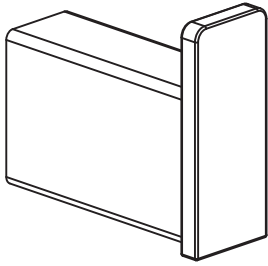




# U L T R A FAUCETS

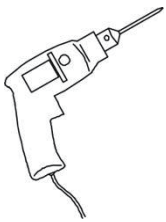
## INSTRUCTION



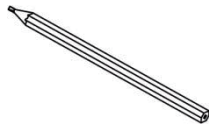
### Bathroom Accessories

Model No.:  
UFA51070  
UFA51073

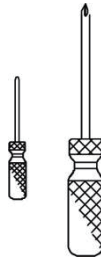
#### Tools You Will Need:



Drill



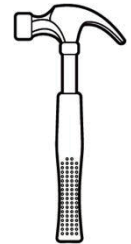
Pencil



Phillips Screwdriver



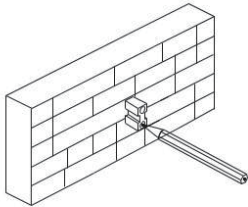
Level



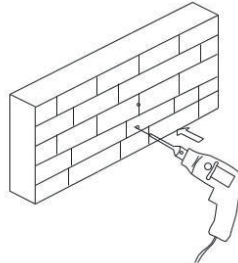
Claw Hammer

#### Preparation/Assembly

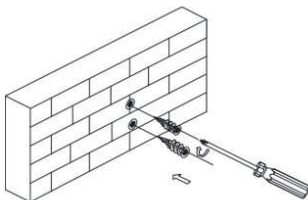
1



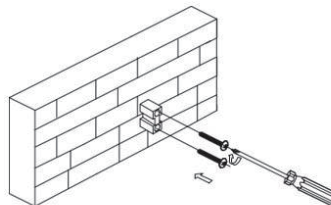
2



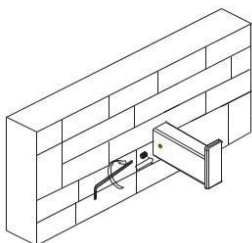
3



4



5





# U L T R A FAUCETS

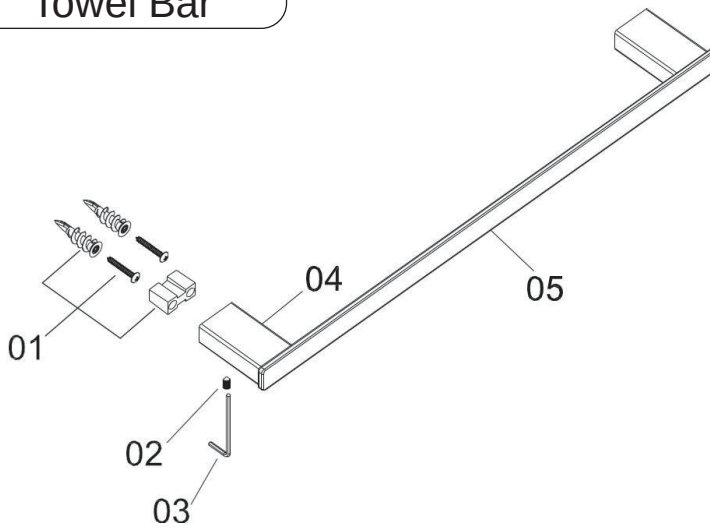
## INSTRUCTION

Exploded Drawing  
RP(Replacement Parts)

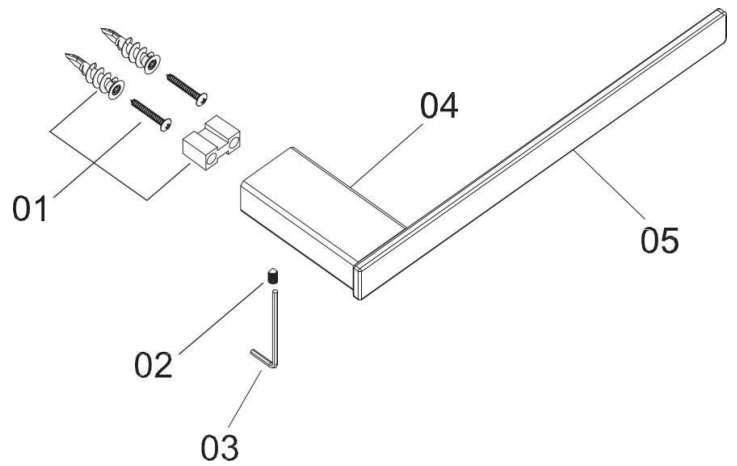
Model No.:  
UFA51070  
UFA51073

No.	Description	Part No.
1	Mounting Hardware	138A19
2	Set Screw	138A72
3	Hex Wrench	01101

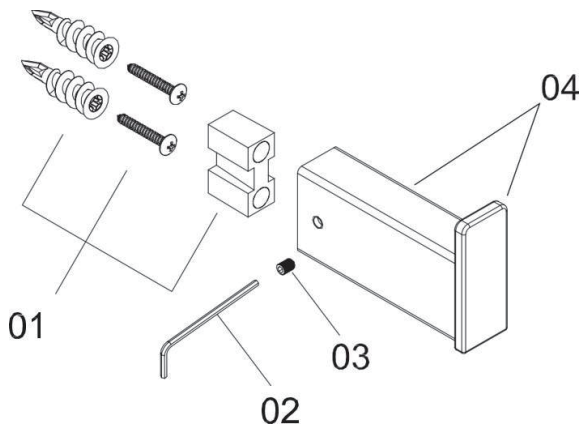
### Towel Bar



### Towel Ring



### Robe Hook



### Tissue Hodler

