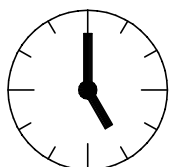
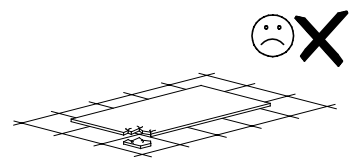
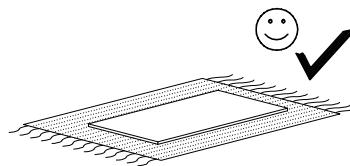
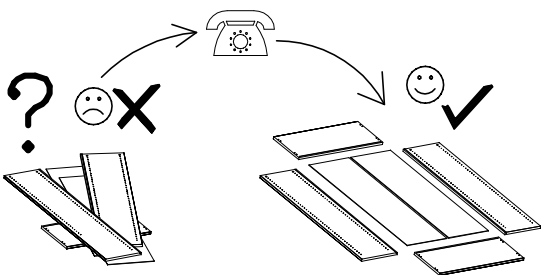
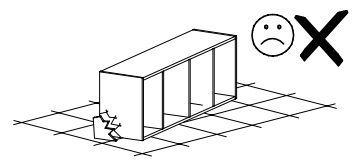
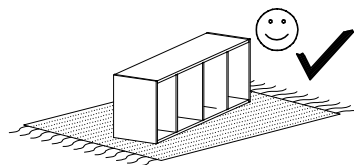
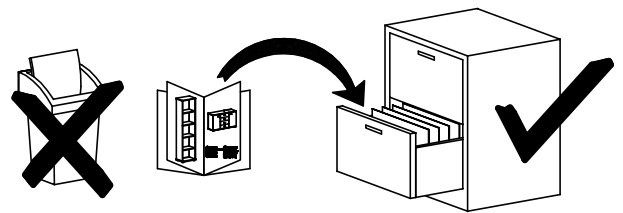
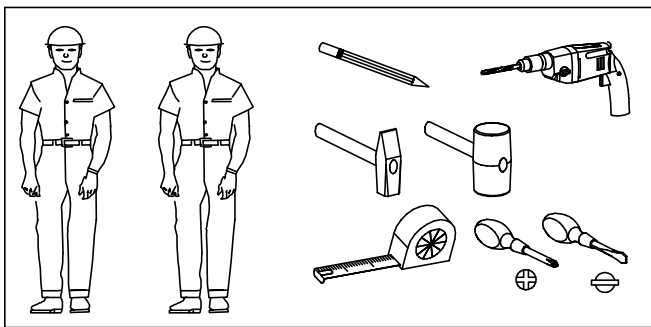
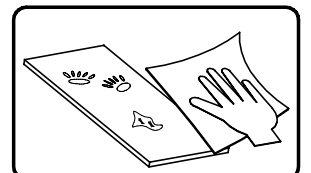
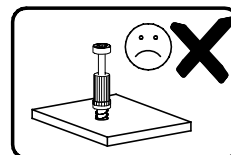
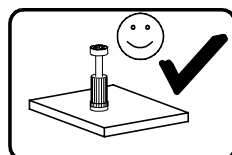
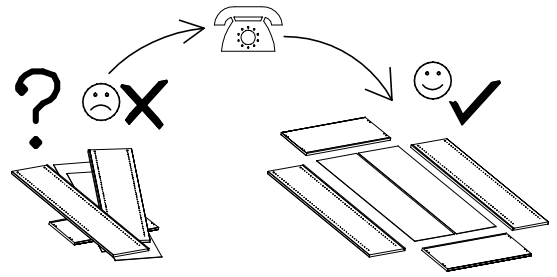
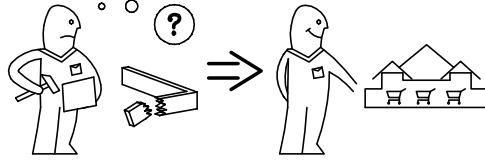
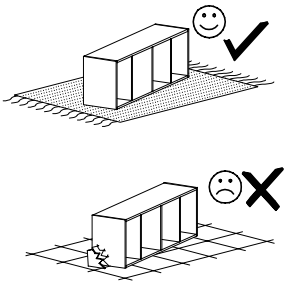


Installation & Assembly

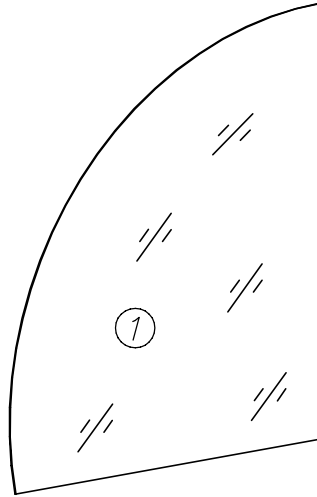


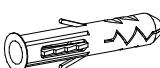


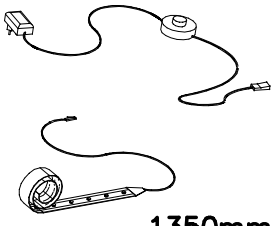

0,5h





nr	L[mm]	B[mm]	T[mm]	Menge	Colli
1	920	770	19	1	1/2



U8  ø10x60 x...(2)	U7S  x...(2)	W4  x...(2)	W10  1350mm x...(1)
G46  6x8 x...(4)			



I

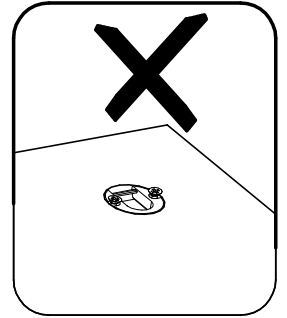
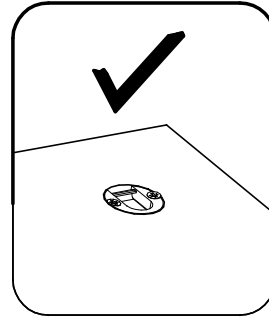
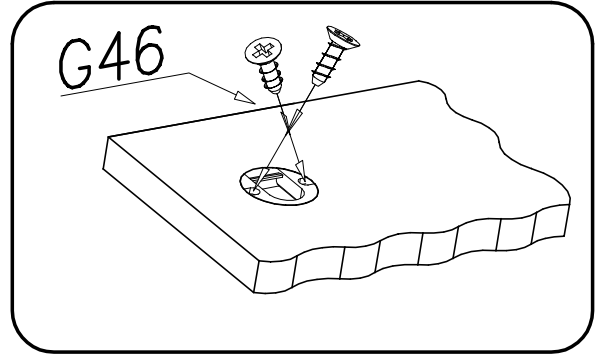
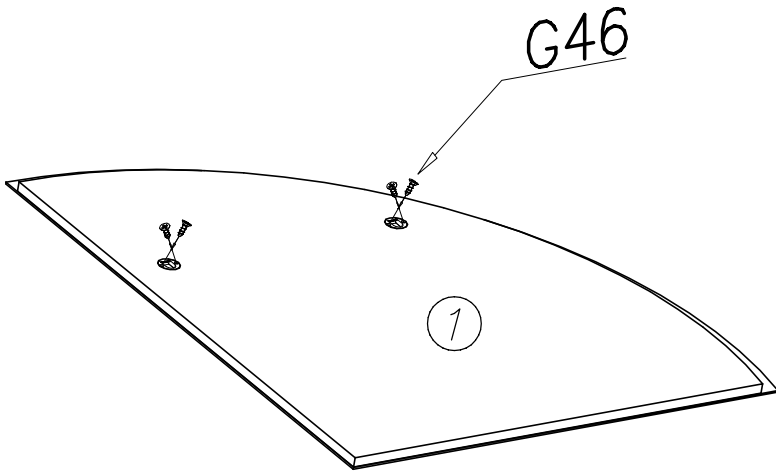


G46



6x8

x...(4)

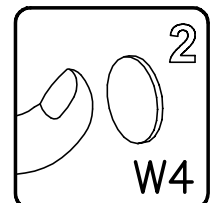
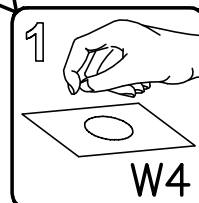
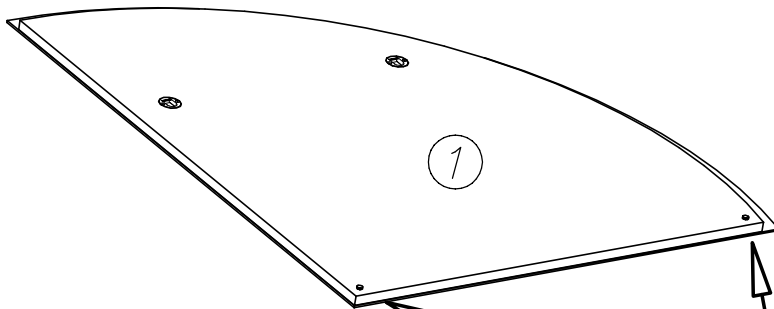


II

W4

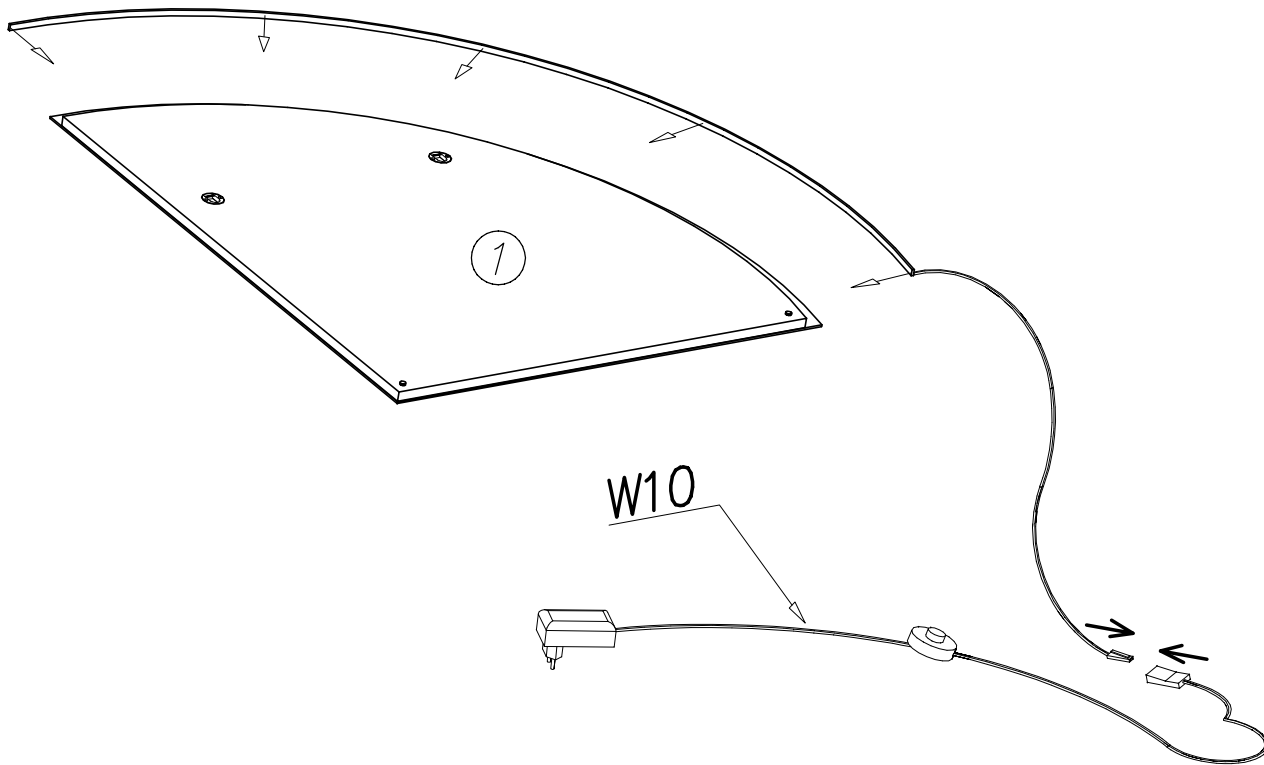
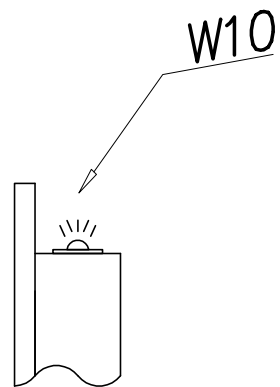
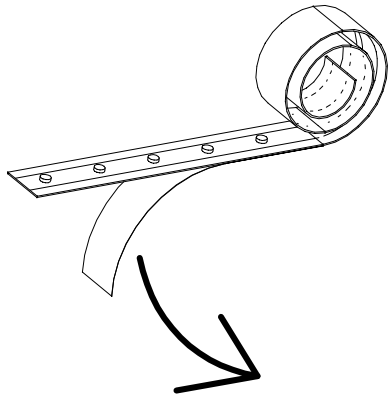


2x



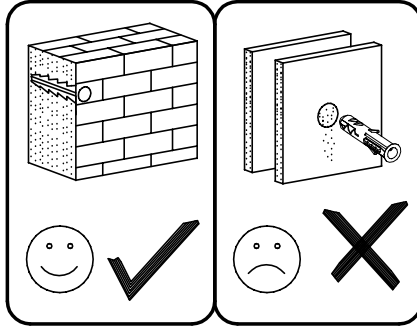


III

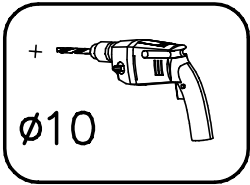




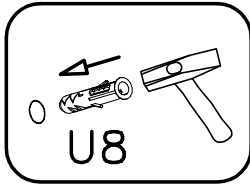
IV



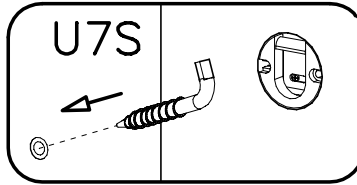
1



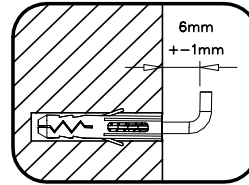
2



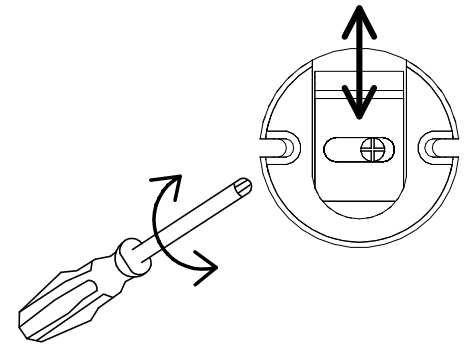
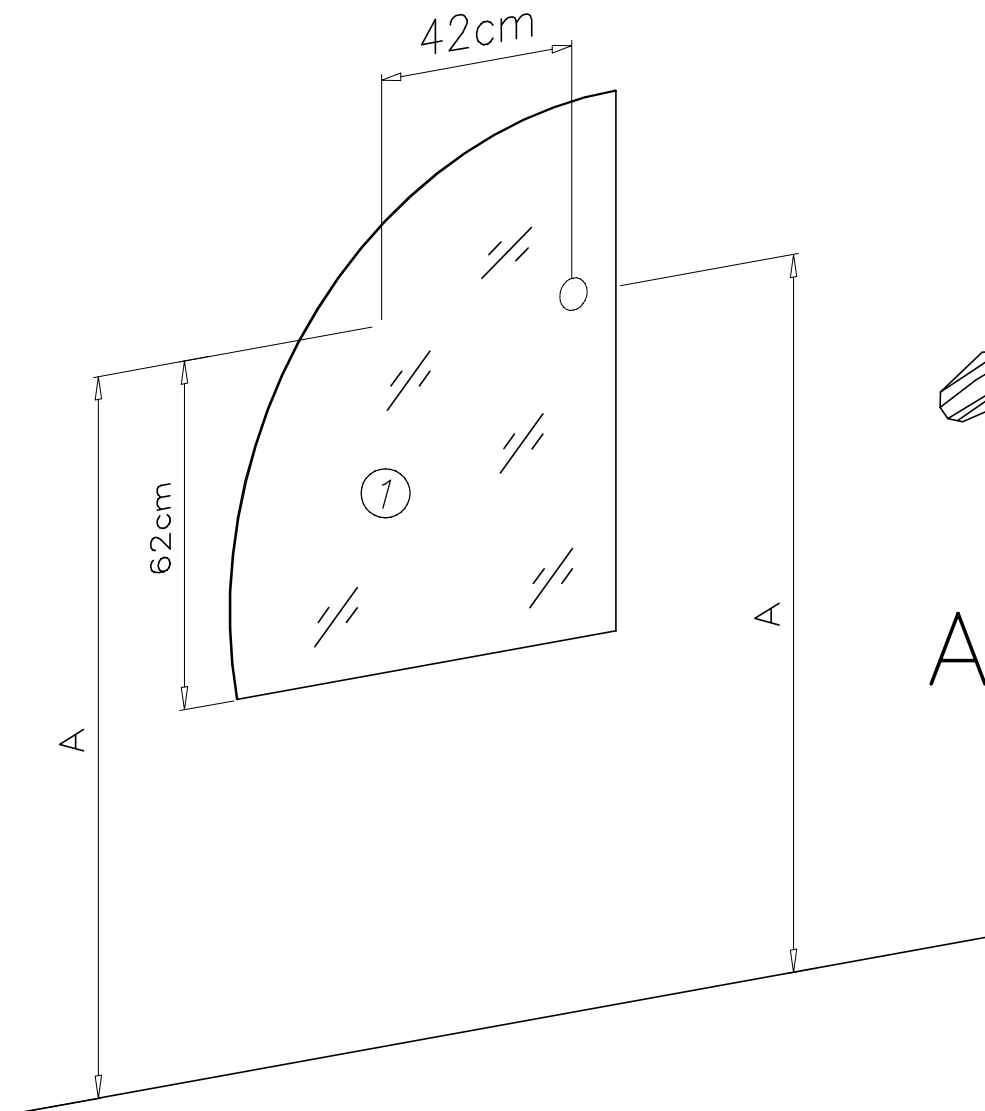
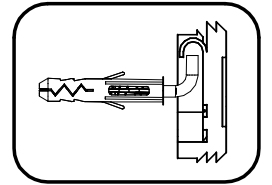
3



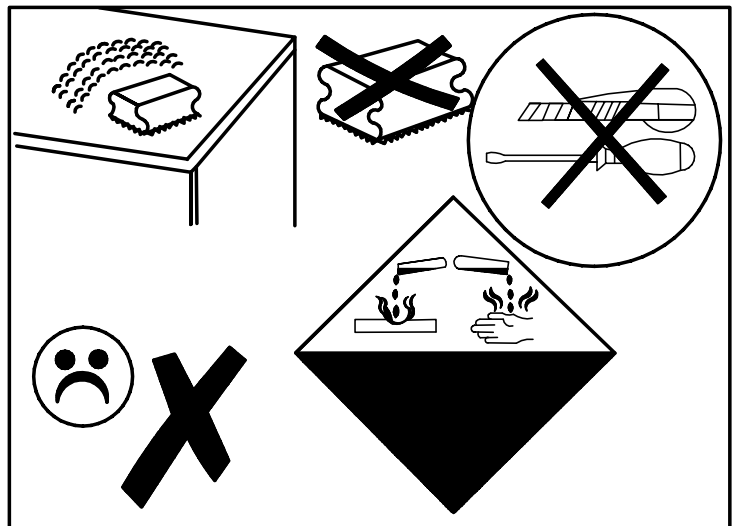
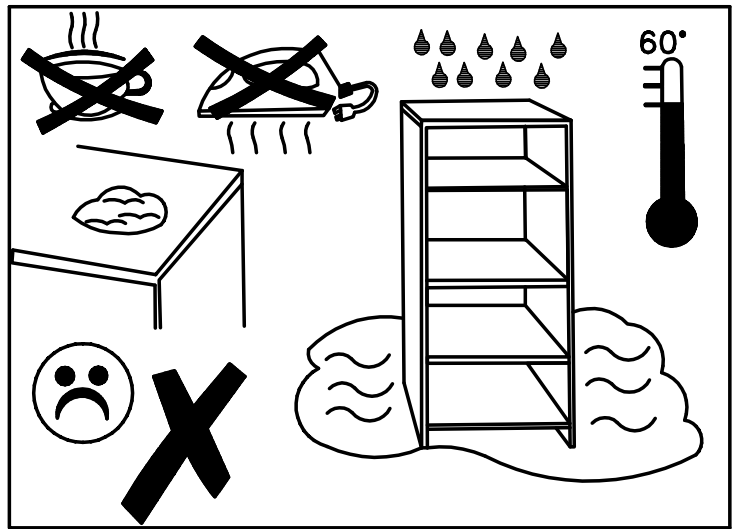
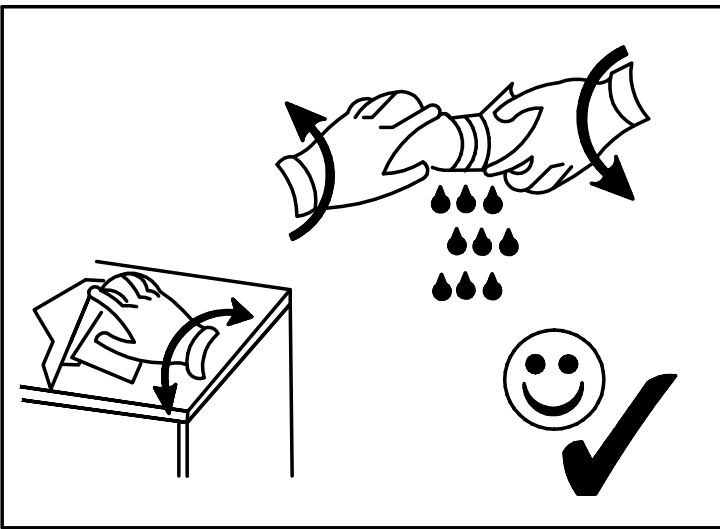
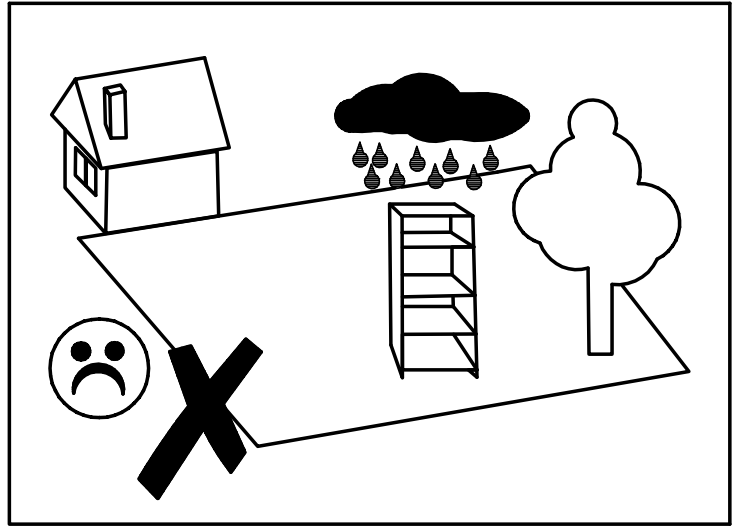
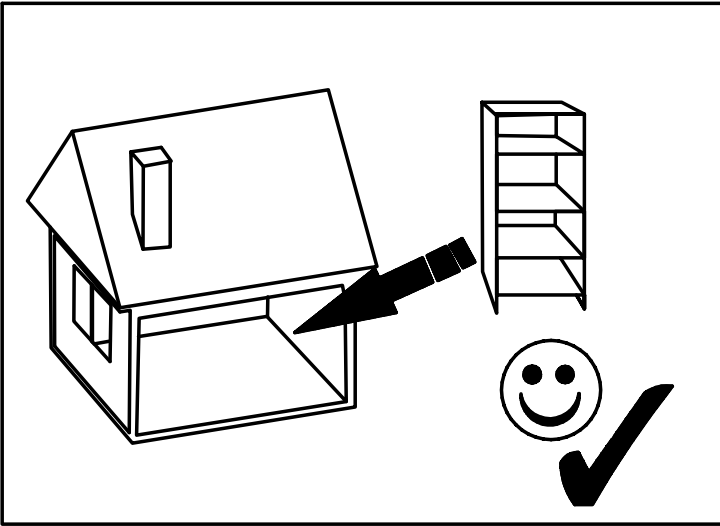
4

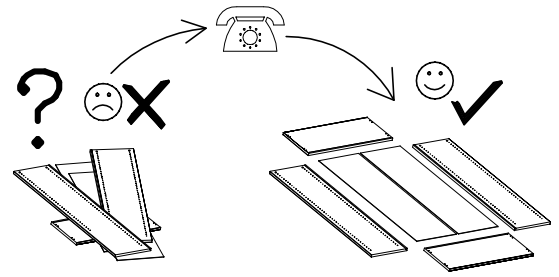
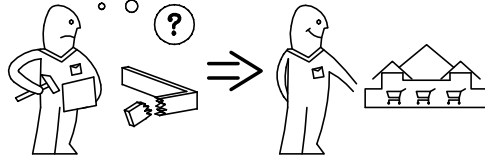
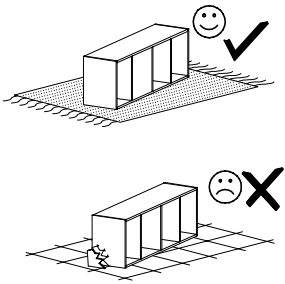


5

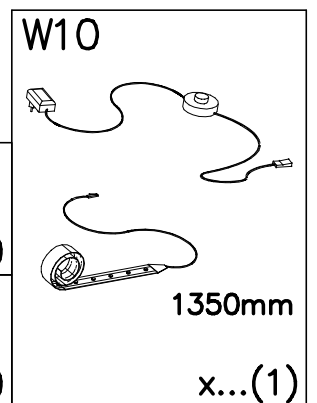
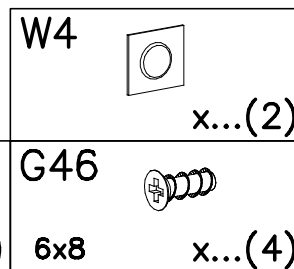
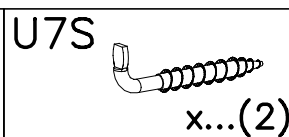
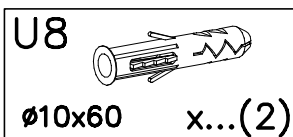
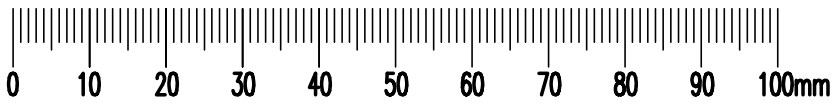
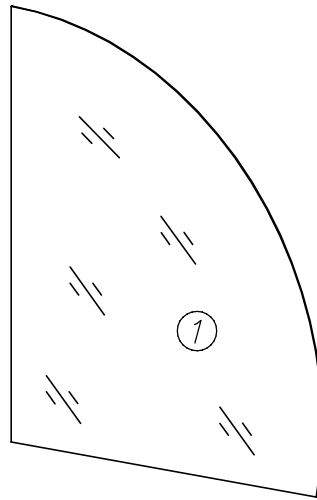


A = A





nr	L[mm]	B[mm]	T[mm]	Menge	Colli
1	920	770	19	1	1/2





I

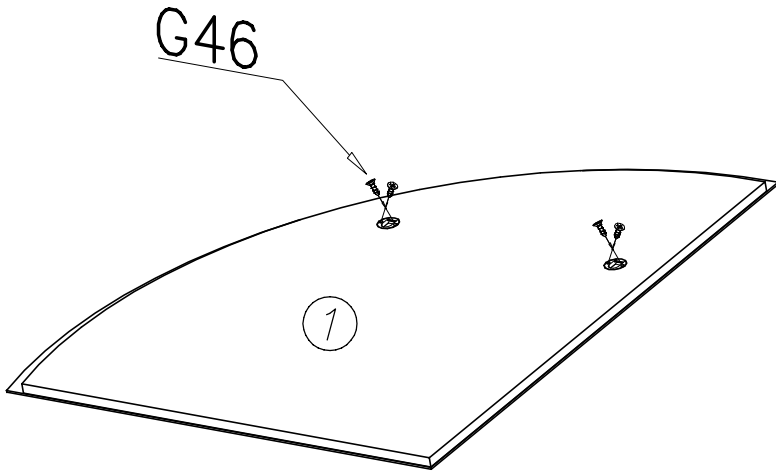
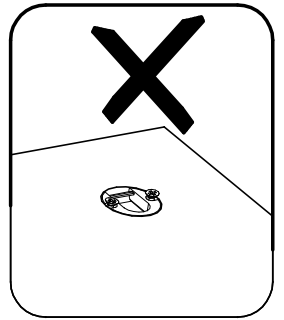
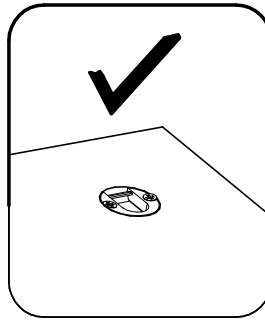
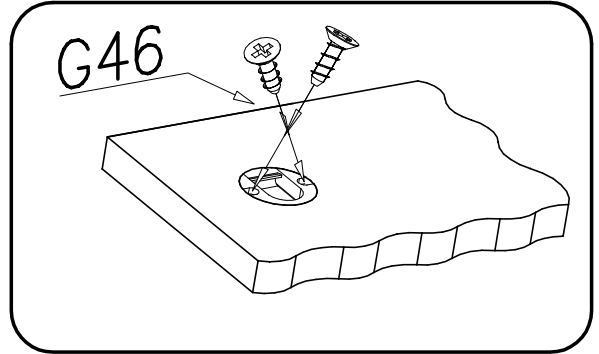


G46



6x8

x...(4)

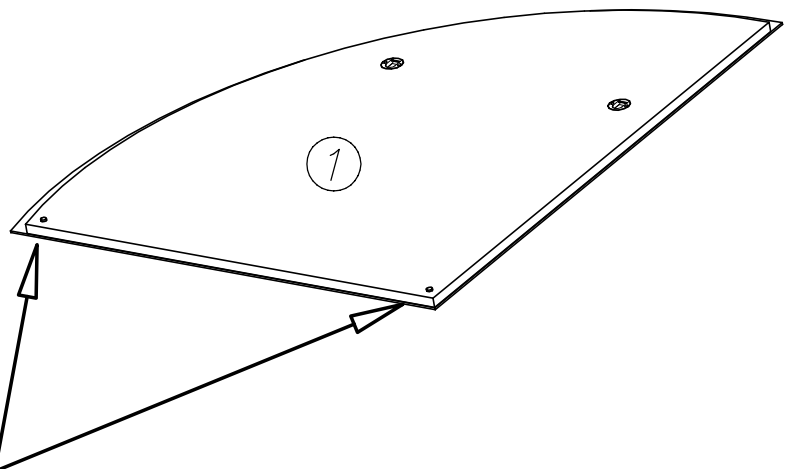
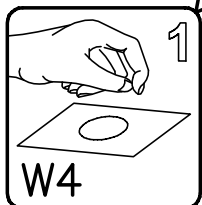
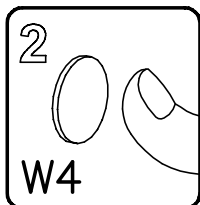


II

W4

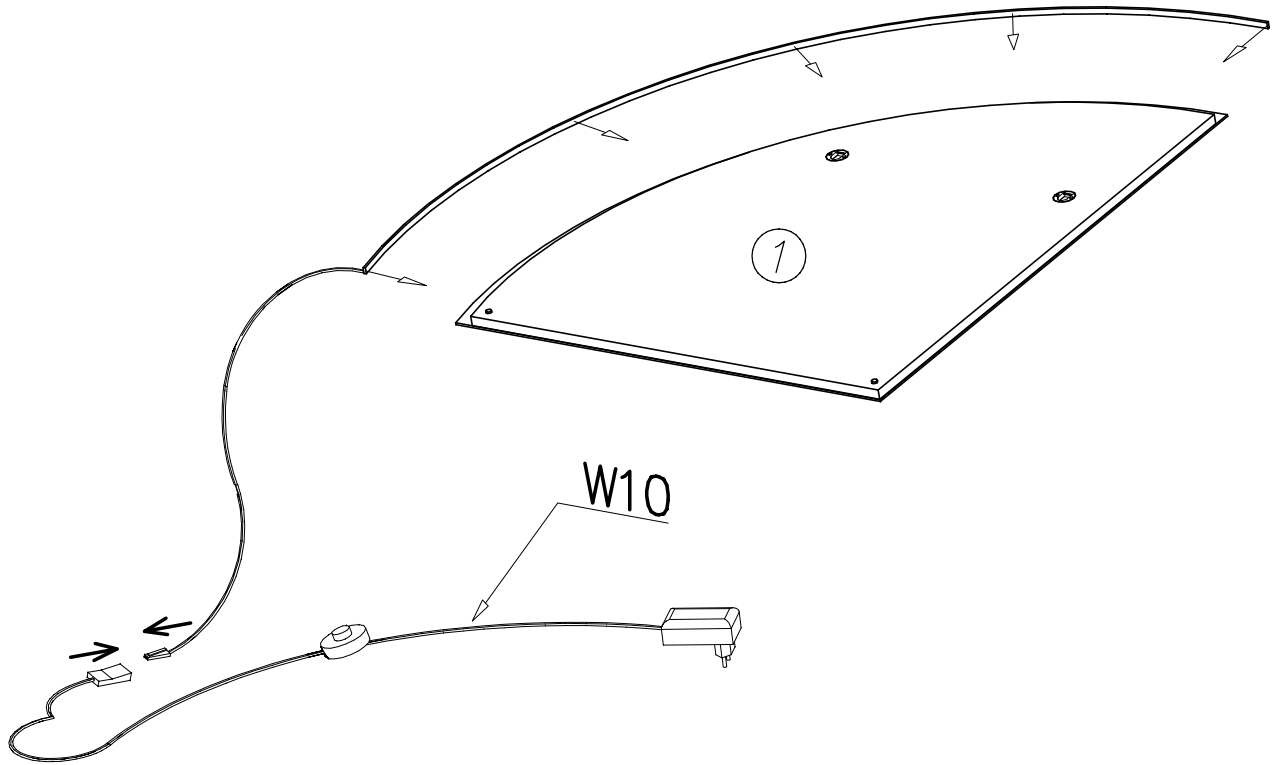
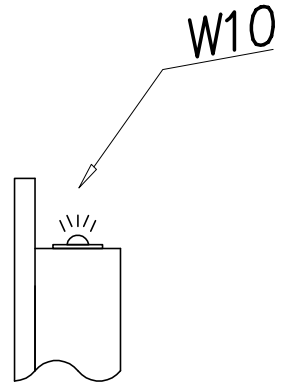
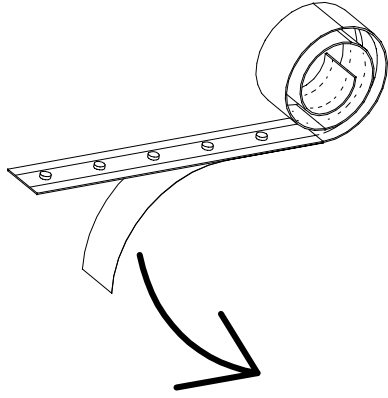


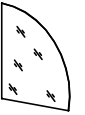
2x



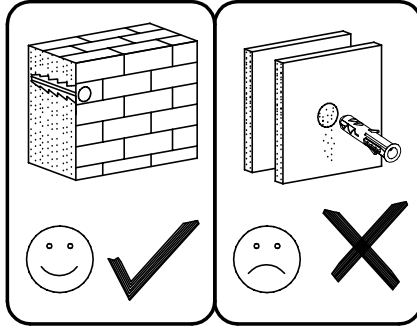


III

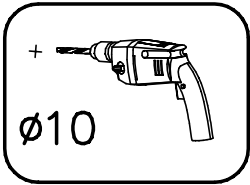




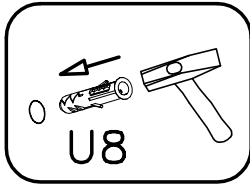
IV



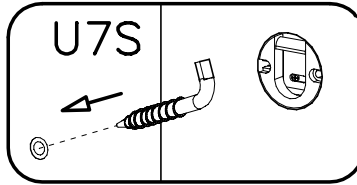
1



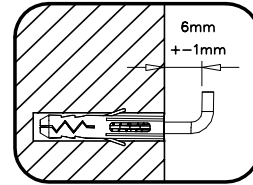
2



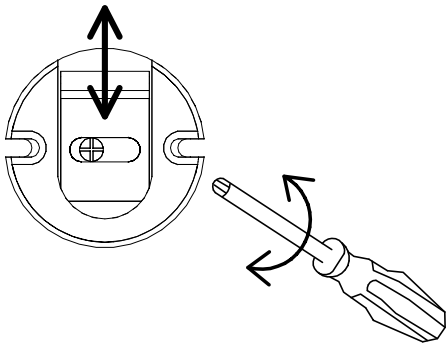
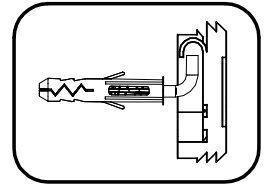
3



4



5



$$A = A$$

