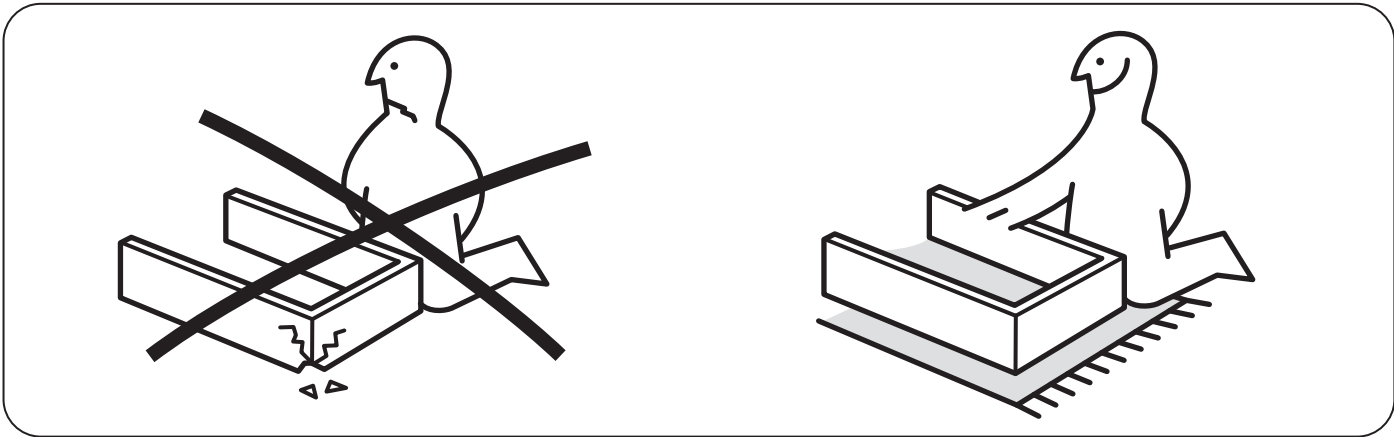
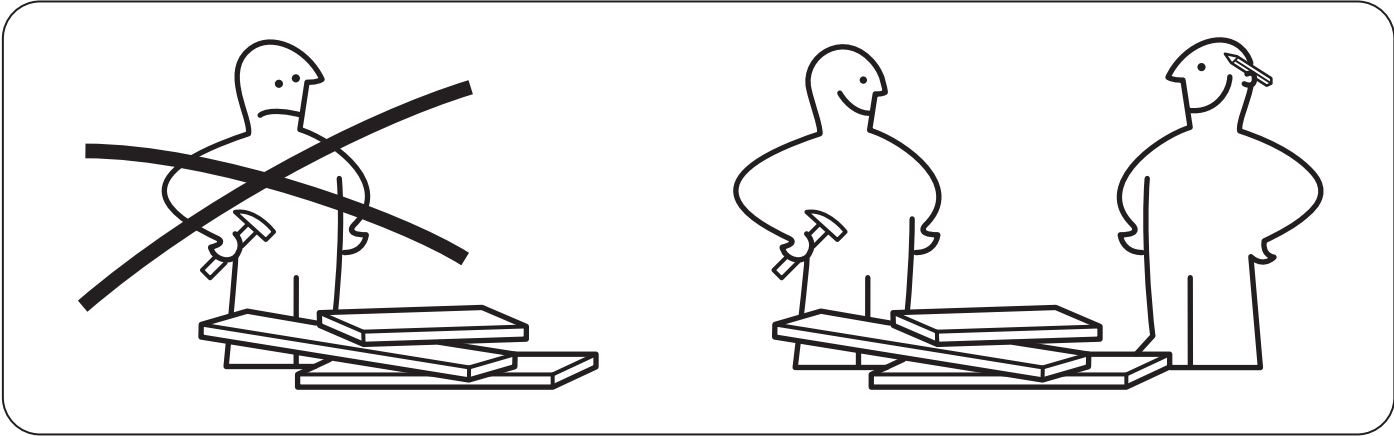
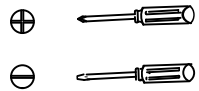


Thanks for purchasing one of our products,  
please carefully read the assembly instructions  
before installation(Attention:Do not tighten  
the screws before all screws are in place).

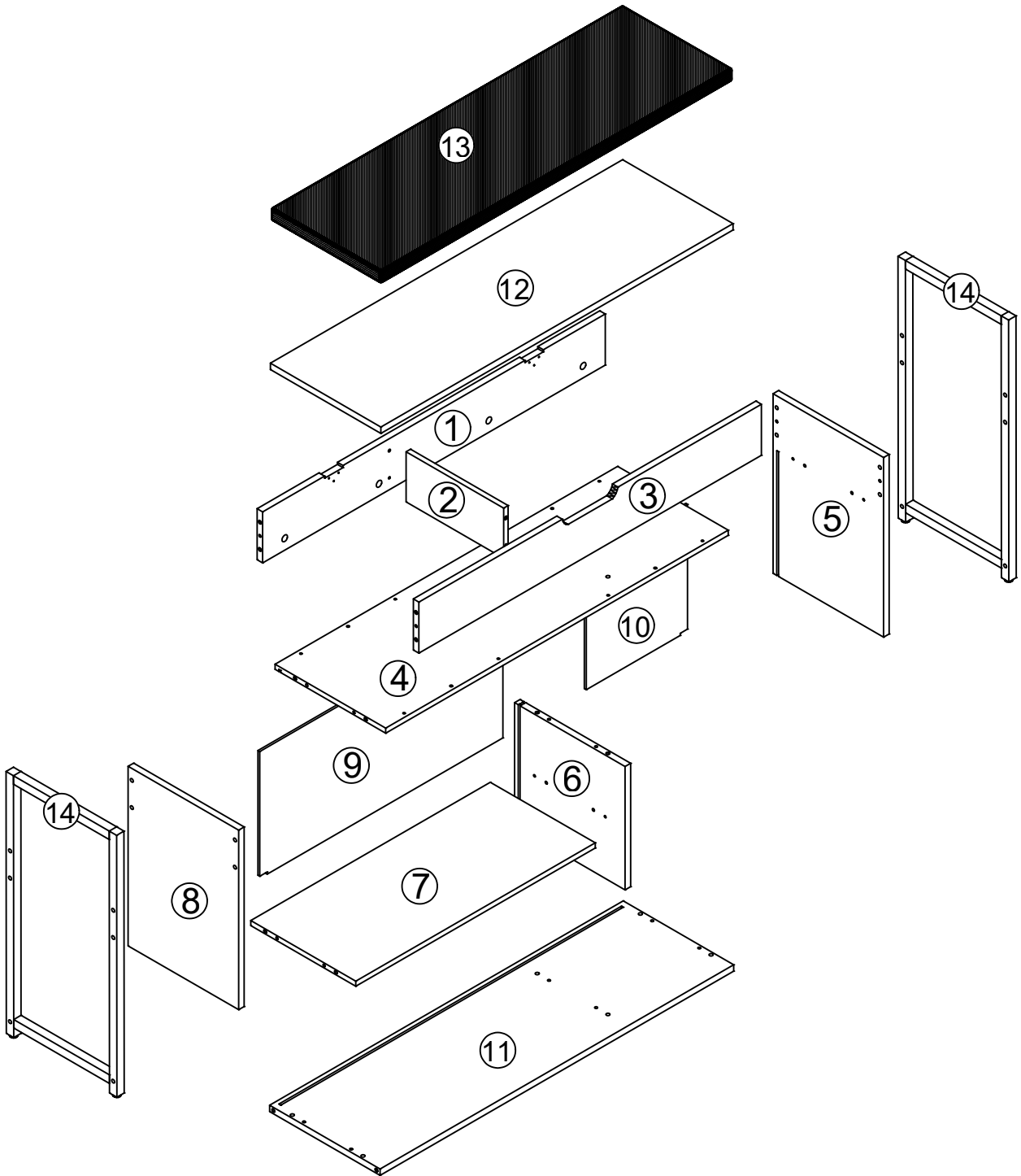


(Tools not provided)  
 Flat Blade Screwdriver  
 Phillips Head Screwdriver  
 Wooden Hammer

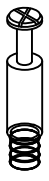
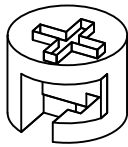






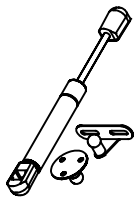





To Assemble the Unit  
 Wooden Hammer

PAGE1  
Exploded View



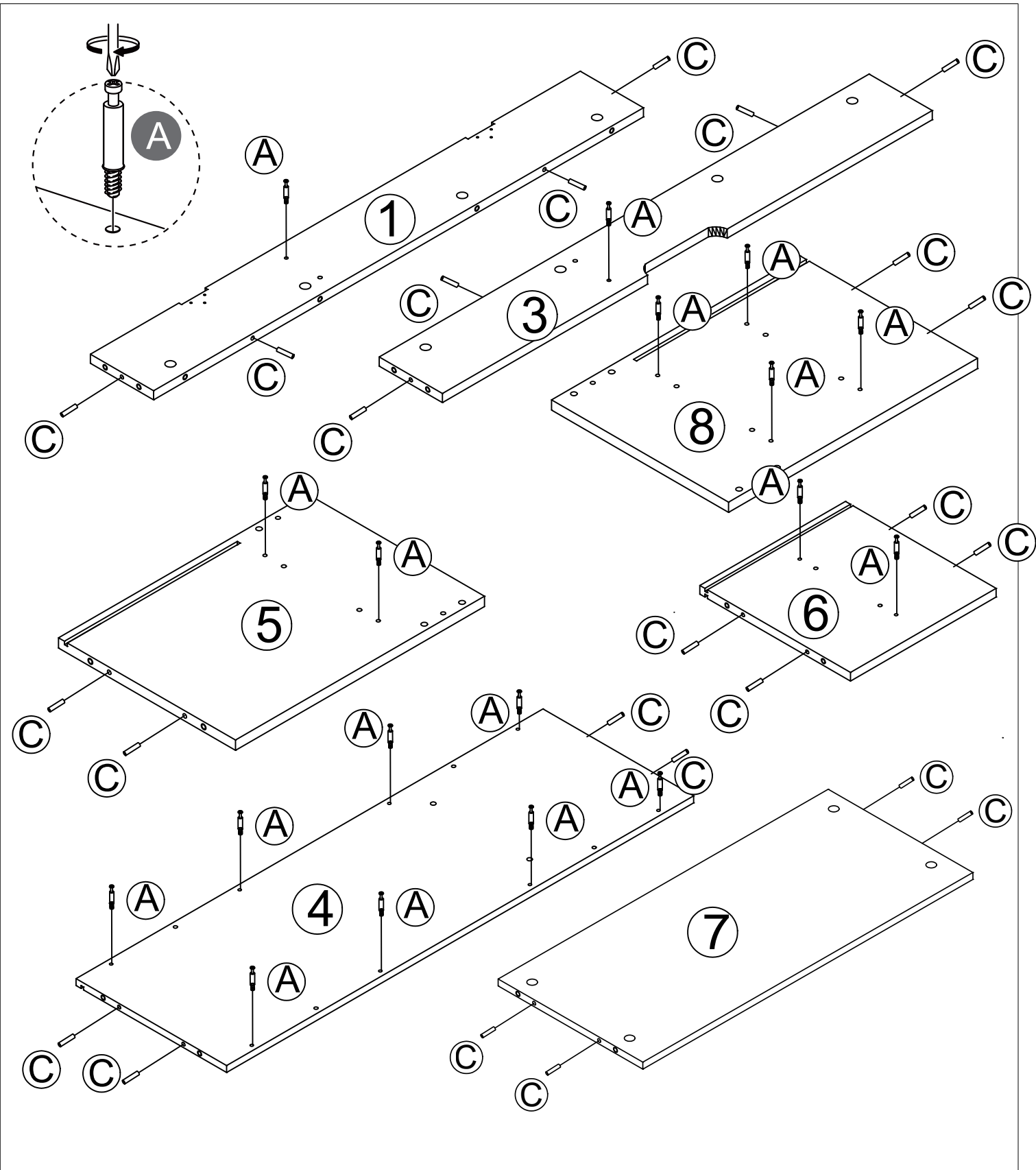
PAGE2  
will require these parts

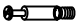
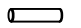
<p>A</p>  <p>18+1PCS</p>	<p>B</p>  <p>18+1PCS</p>	<p>C</p>  <p>M6X30MM</p> <p>26+2PCS</p>	<p>D</p>  <p>M6X45M</p> <p>8PCS</p>
<p>E</p>  <p>M6X30M</p> <p>4PCS</p>	<p>F</p>  <p>M6X18M</p> <p>3PCS</p>	<p>G</p>  <p>(3*16MM)</p> <p>8PCS</p>	<p>H</p>  <p>2PCS</p>
<p>I</p>  <p>1PC</p>	<p>J</p>  <p>1PC</p>	<p>K</p>  <p>(3*12MM)</p> <p>15PCS</p>	<p>L</p>  <p>M6X25M</p> <p>6PCS</p>

# PAEG3

will require these parts

## STEP1

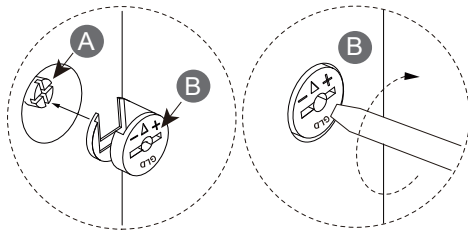


	Ax18
	Cx26
M6X30MM	

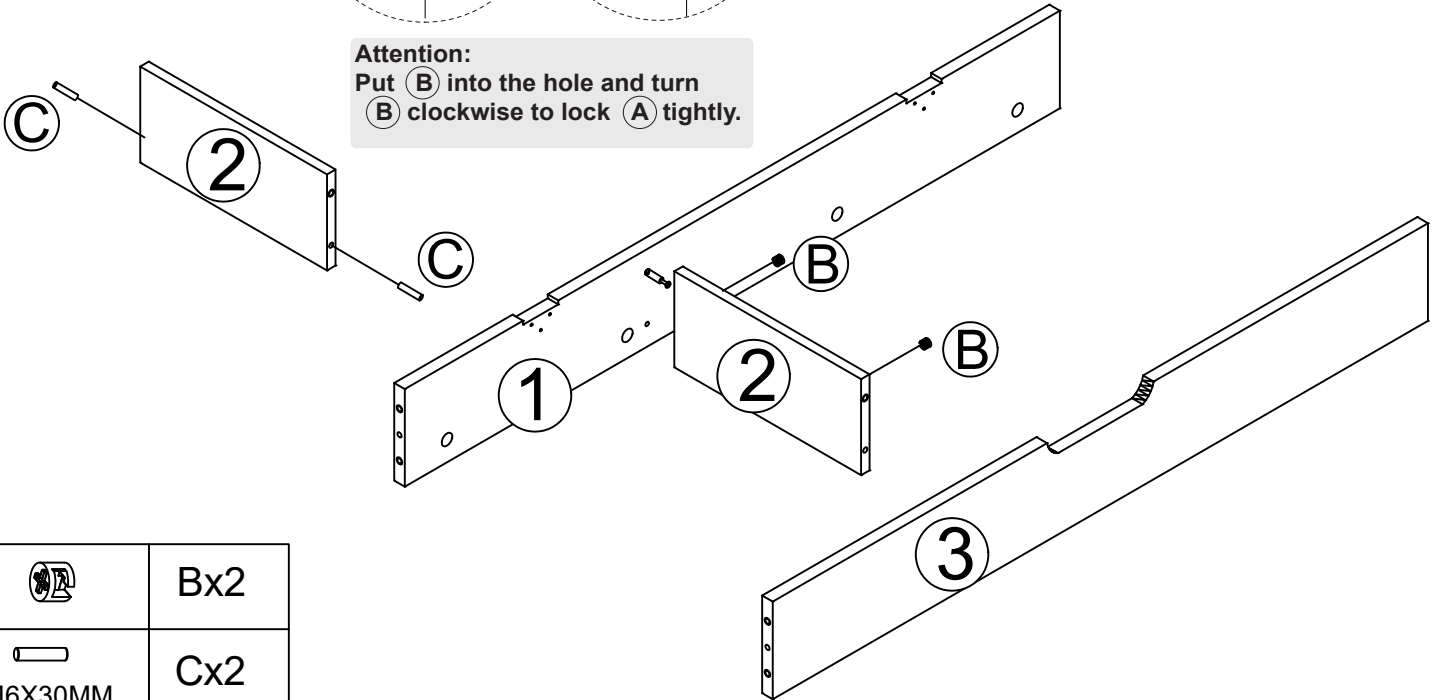
# PAEG4


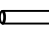
will require these parts

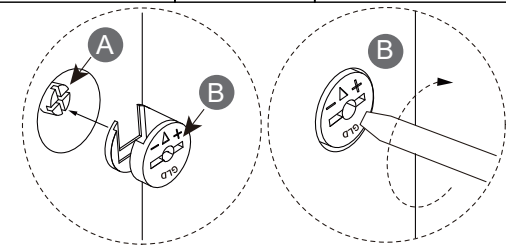
## STEP2



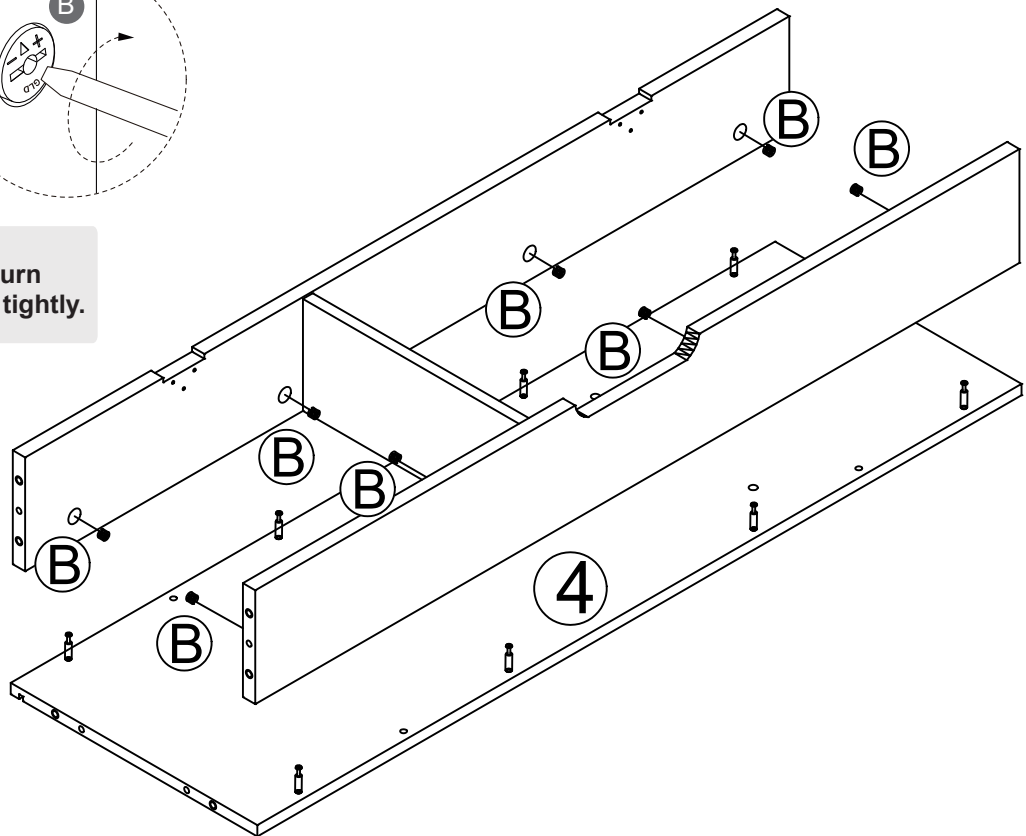
**Attention:**  
Put **(B)** into the hole and turn **(B)** clockwise to lock **(A)** tightly.




	Bx2
	Cx2



**Attention:**  
Put **(B)** into the hole and turn **(B)** clockwise to lock **(A)** tightly.

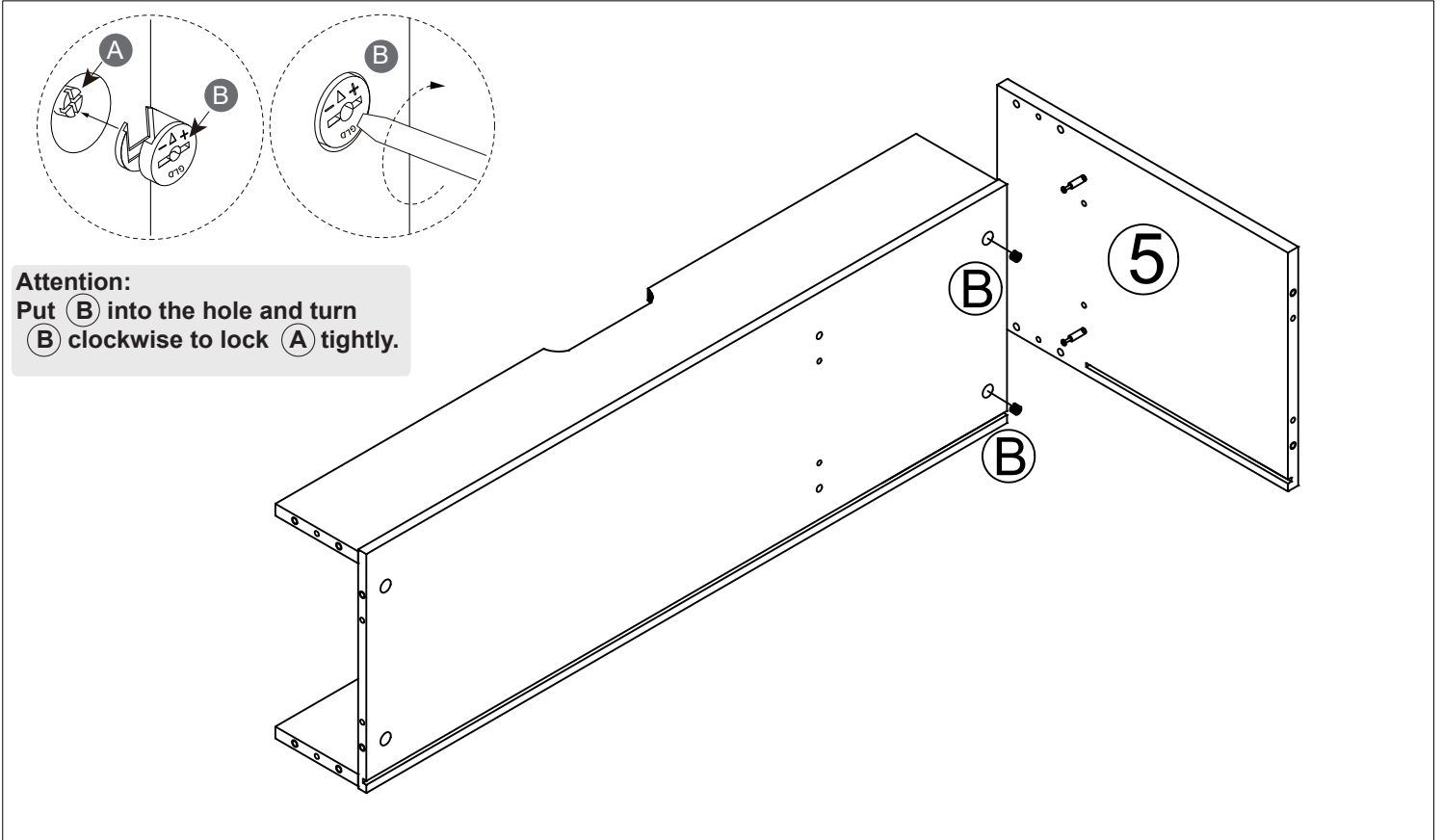



	Bx8
---	-----

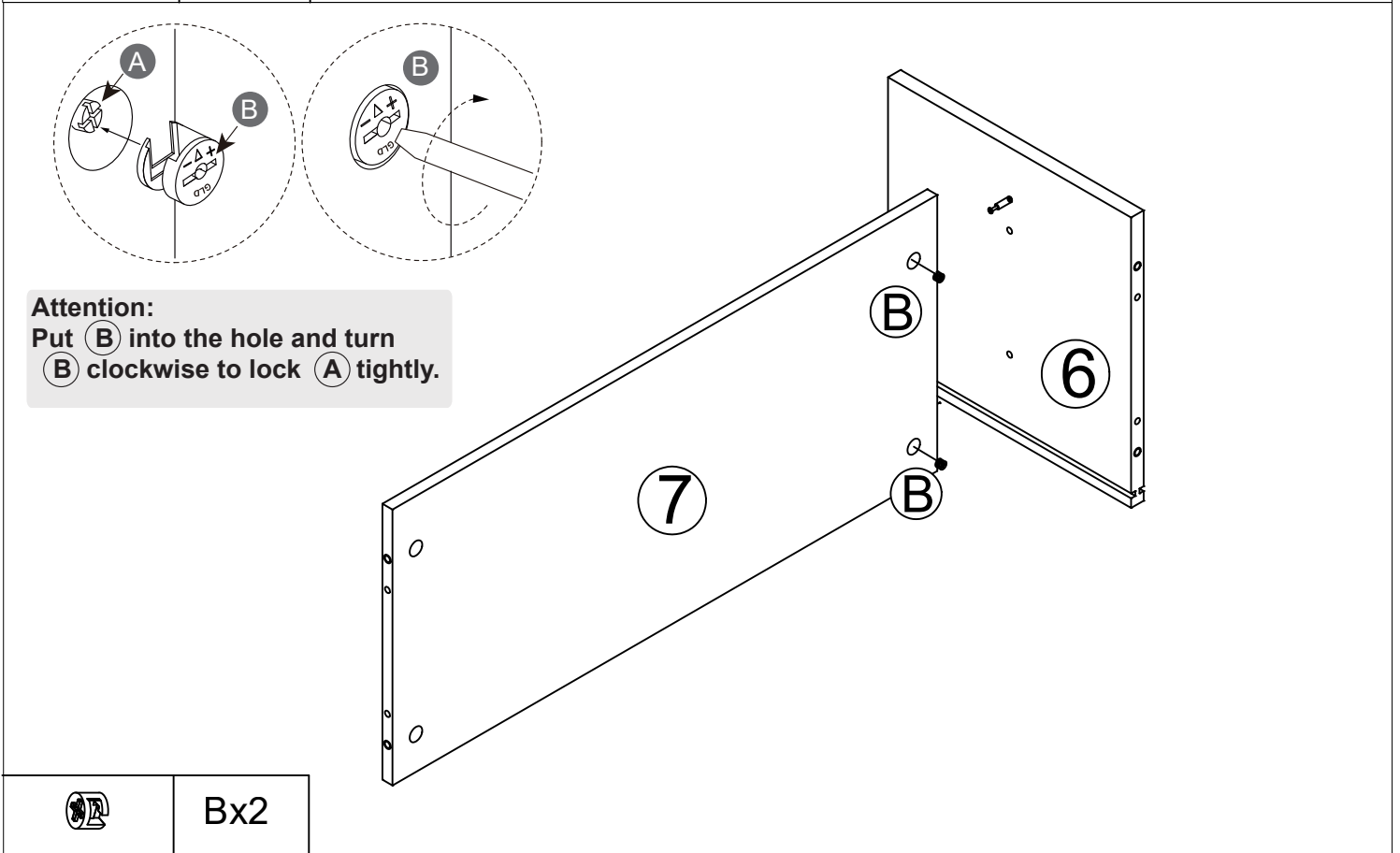
# PAEG5


will require these parts

## STEP3



	Bx2
---	-----

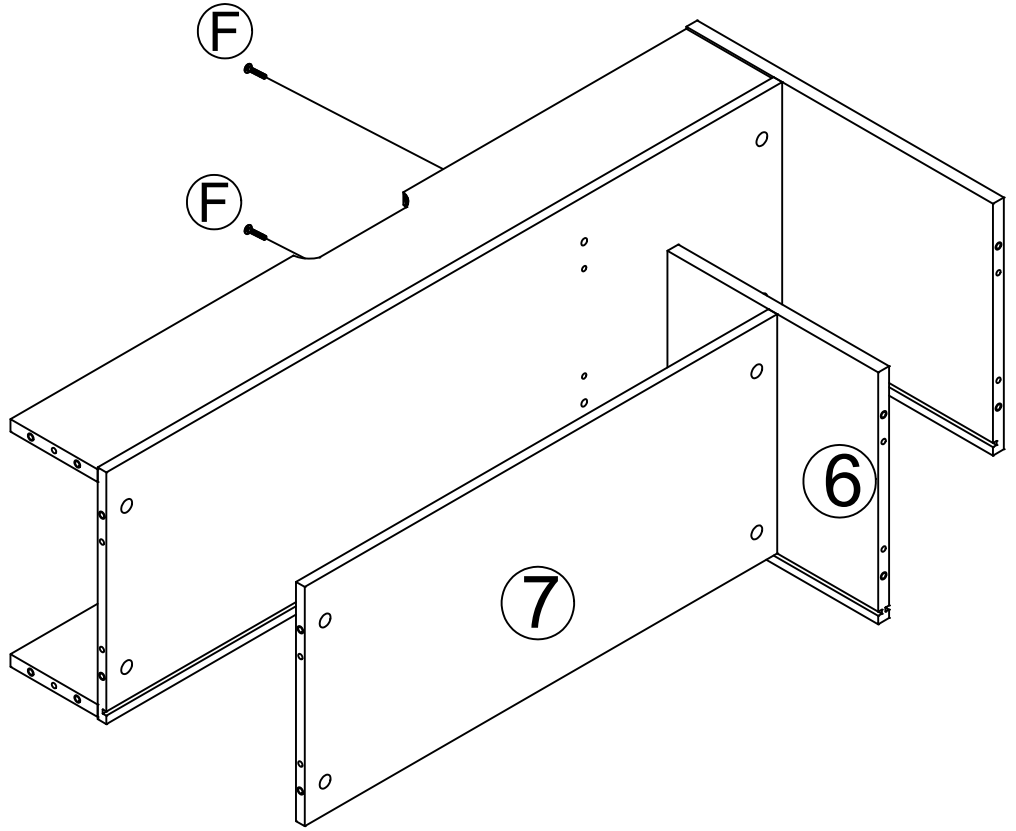


	Bx2
---	-----

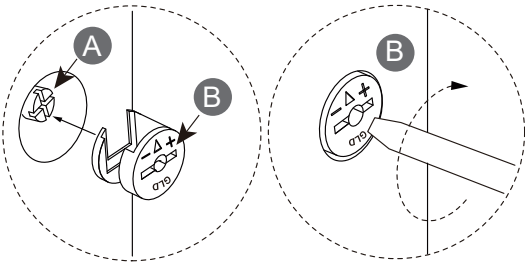
# PAEG6

will require these parts

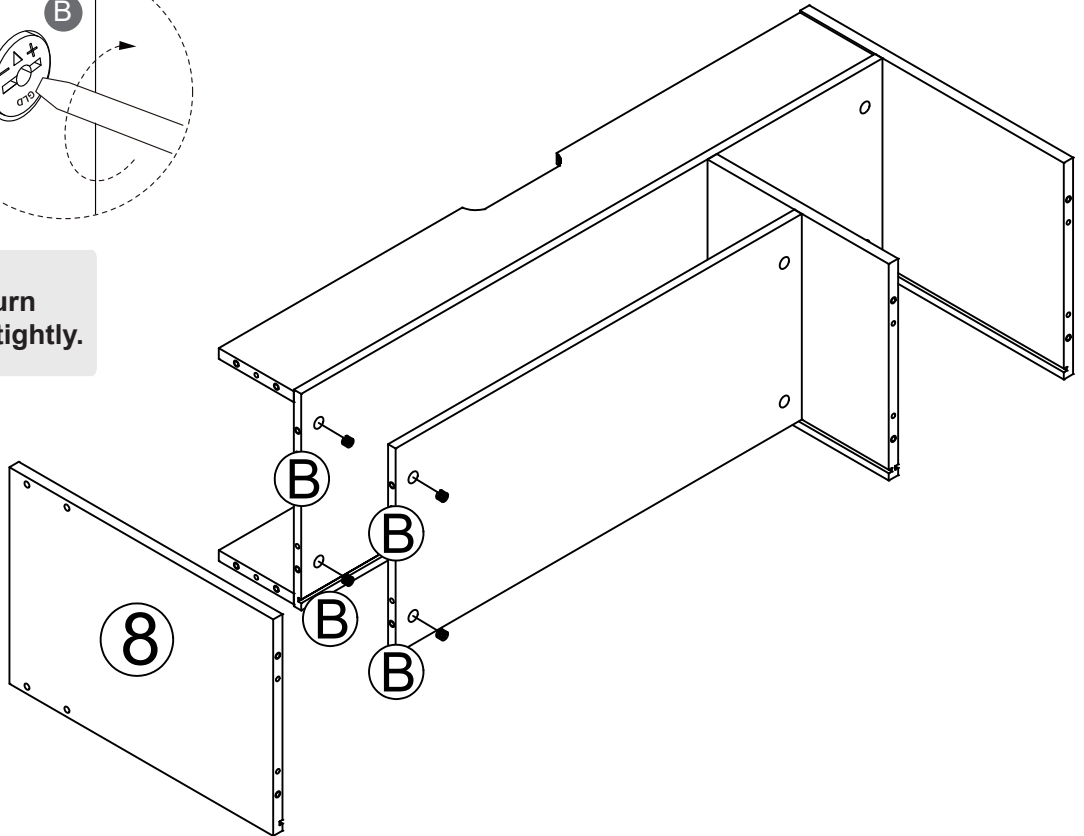
## STEP4



Fx2



**Attention:**  
Put **B** into the hole and turn **B** clockwise to lock **A** tightly.

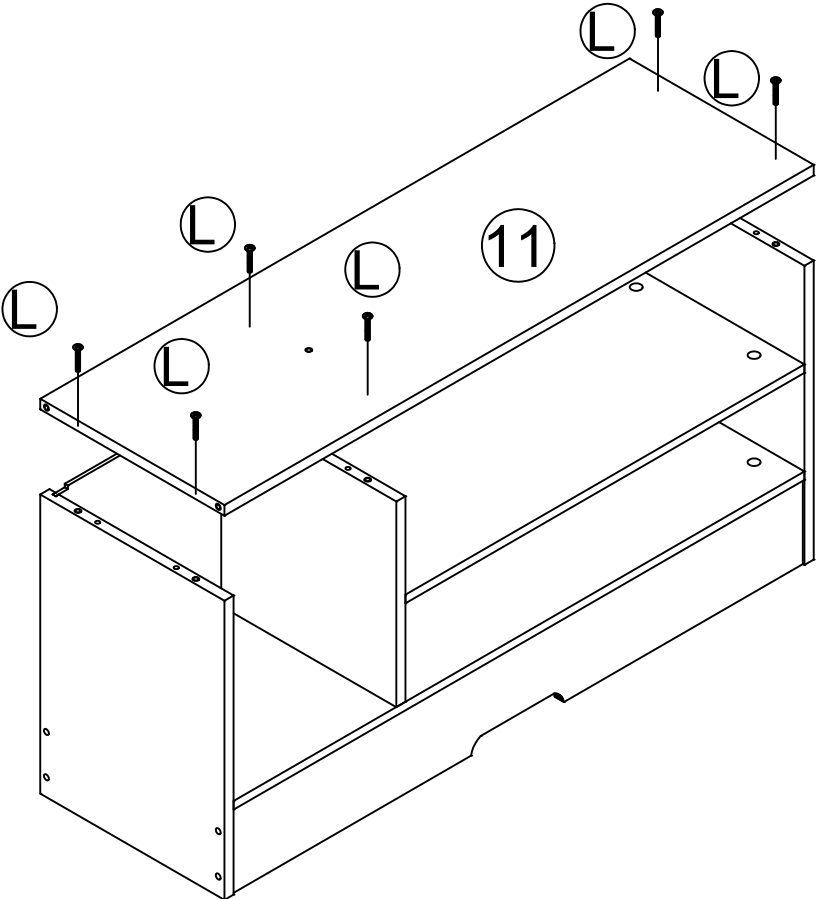
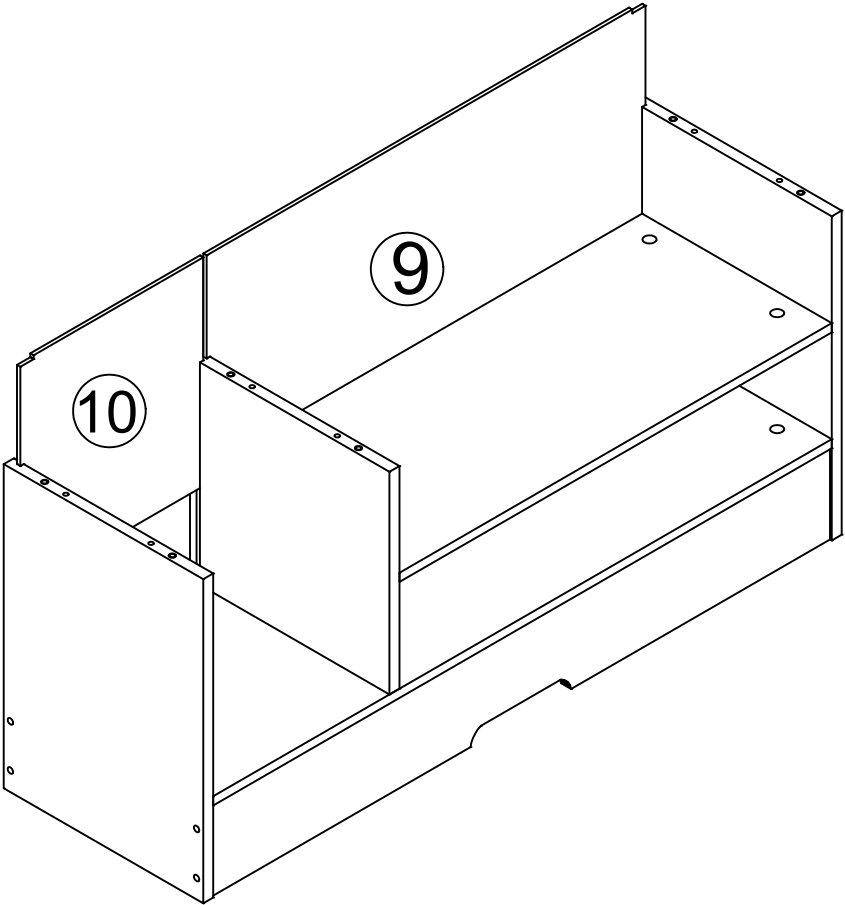


Bx4

# PAEG7

will require these parts

## STEP5



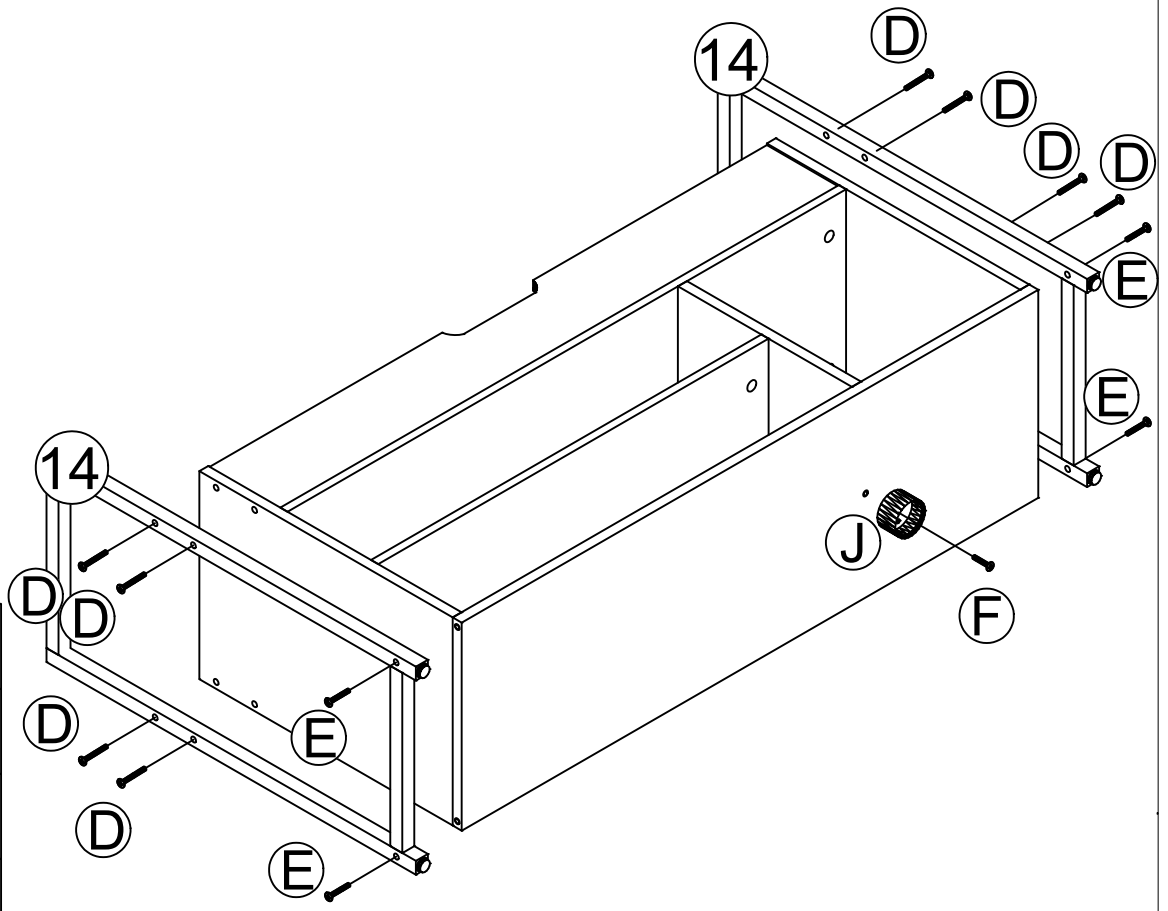
M6X25M





Lx6

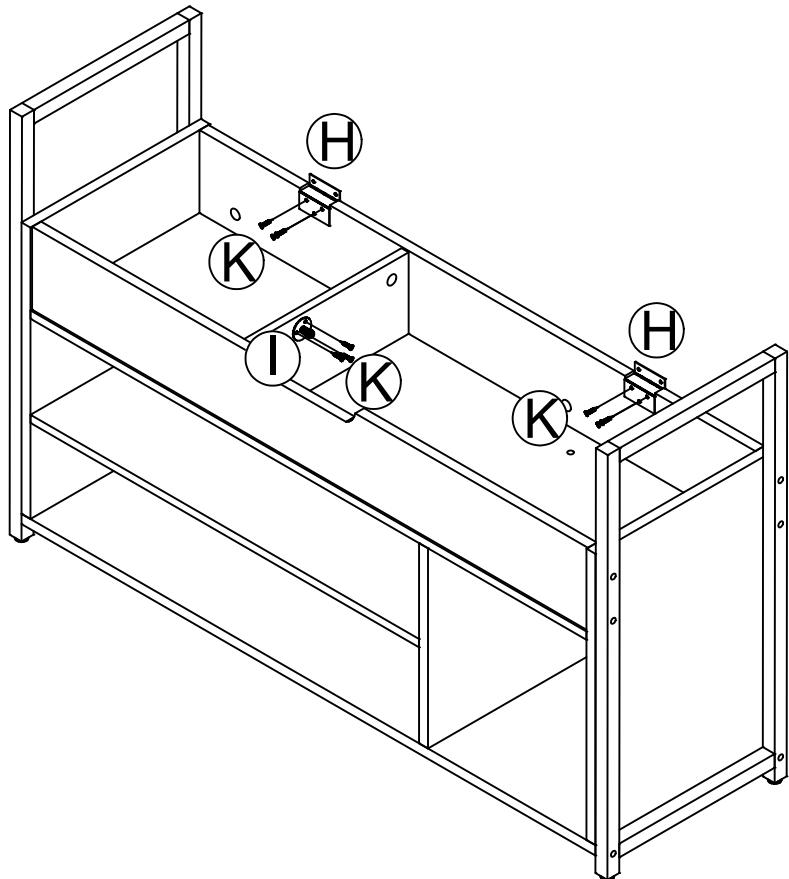
# PAEG8




## STEP6

will require these parts



 M6X45M	Dx8
 M6X30M	Ex4
 M6X18M	Fx1
	Jx1

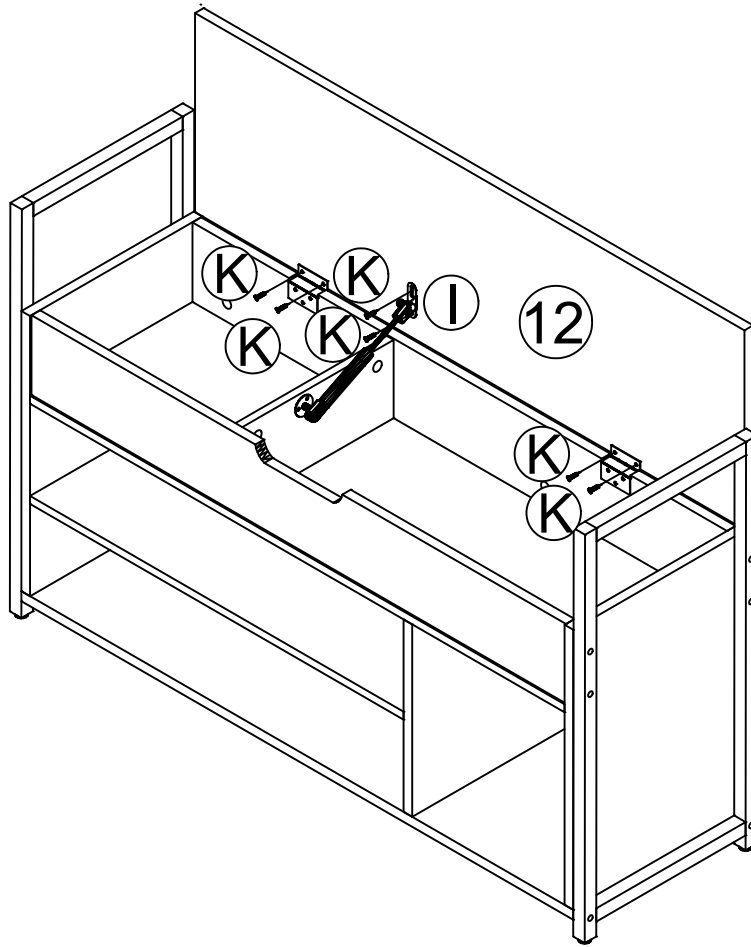


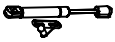

	Hx2
	Ix1
 M3.5X12M	Kx9

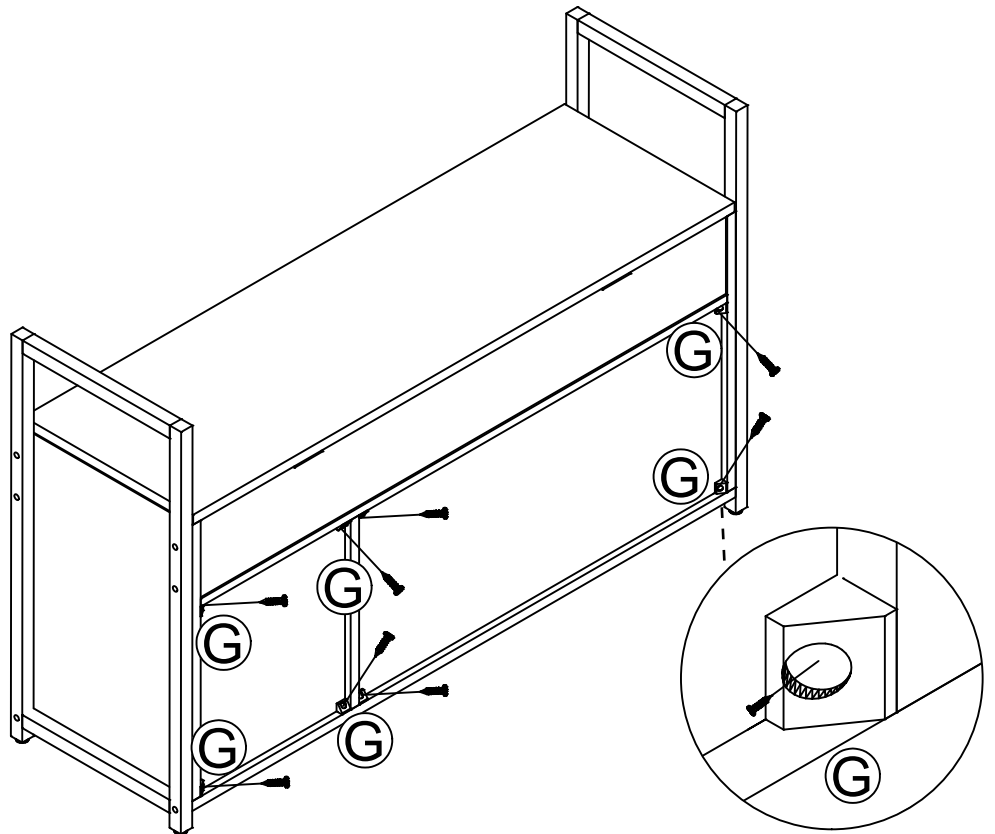
# PAEG9


will require these parts

## STEP7



	Ix1
 M3.5X12M	Kx6



 (3*16MM)	Gx8
--	-----

# PAEG10

STEP8

will require these parts

