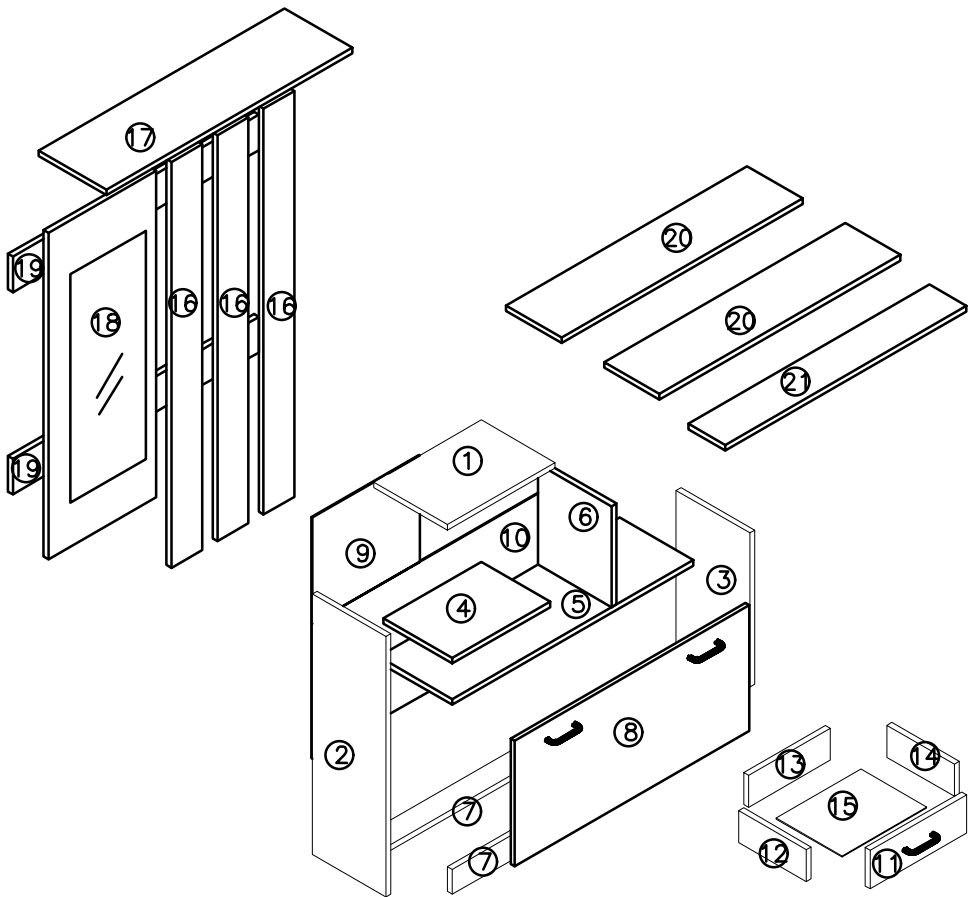
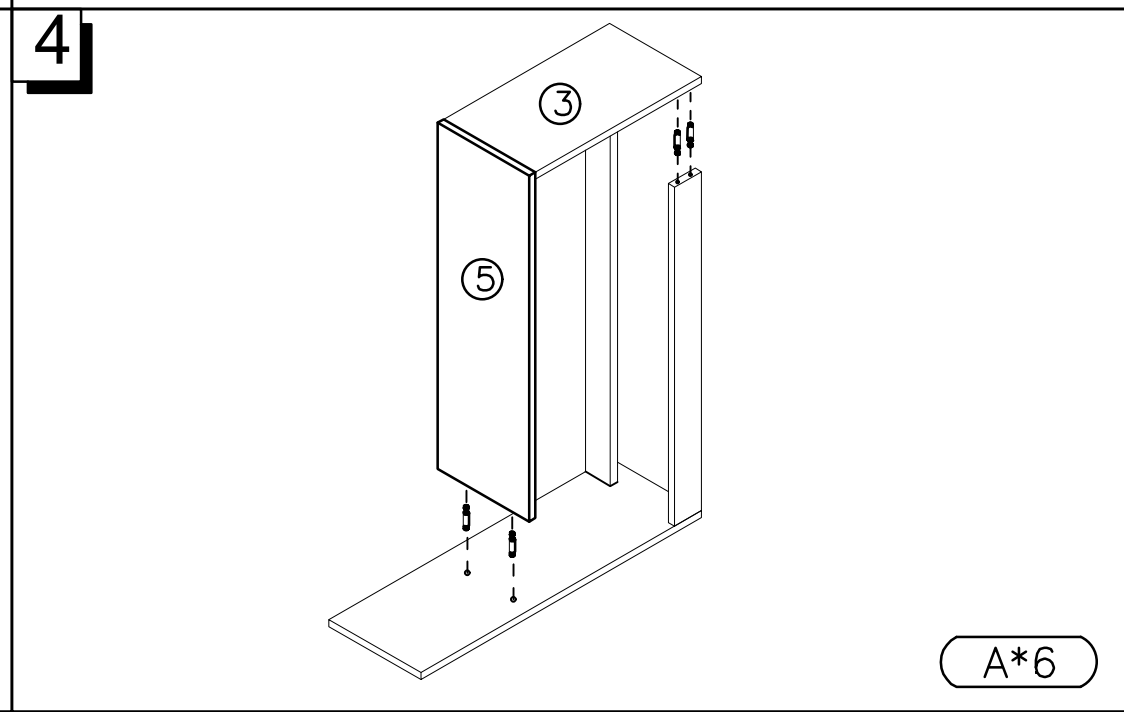
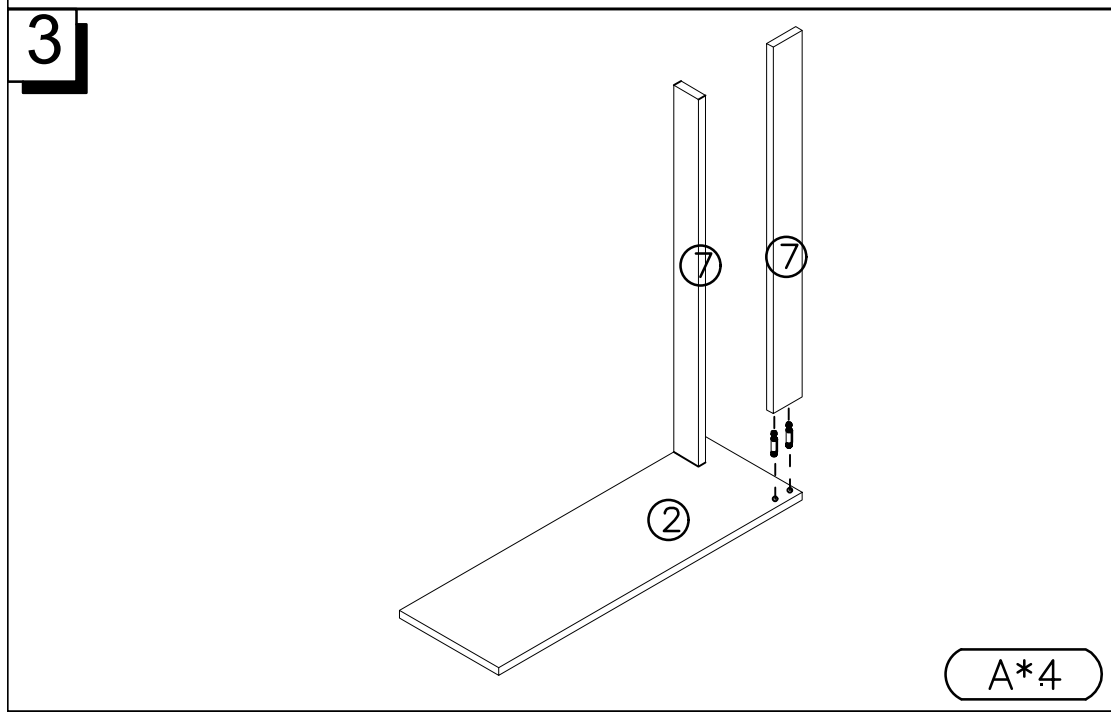
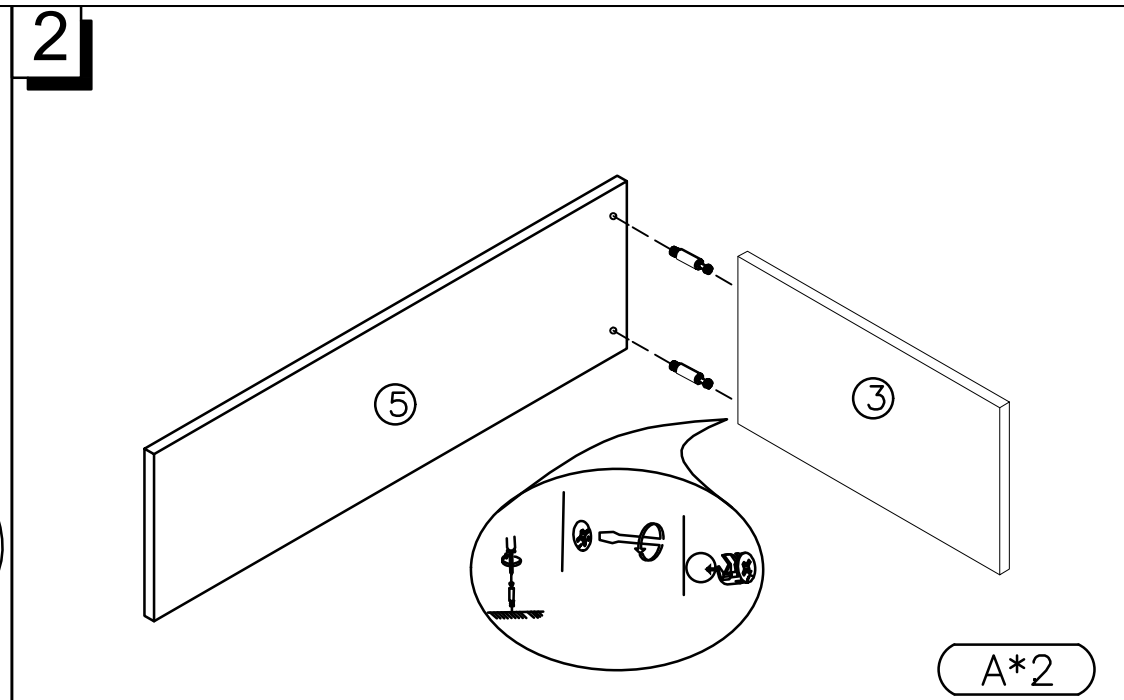
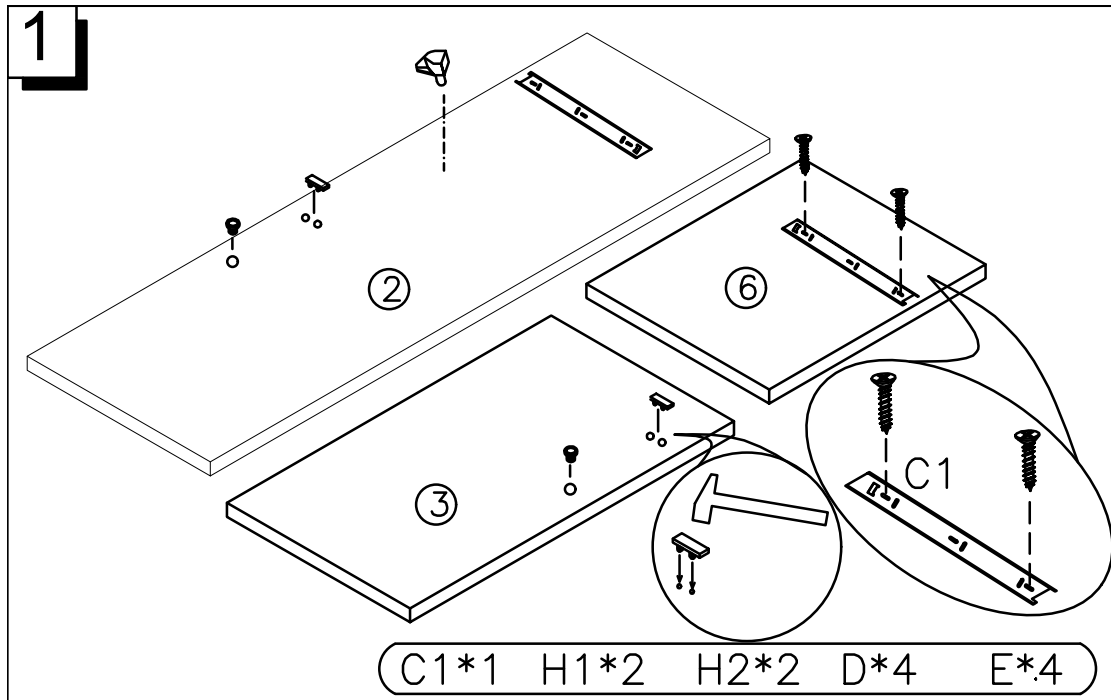


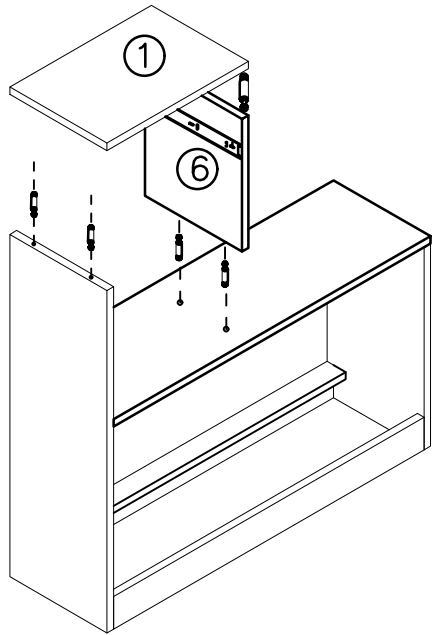
<p>A</p> <p>22PCS</p>	<p>B</p> <p>3PCS</p>	<p>C</p> <p>1PCS</p>	<p>D</p> <p>3.5x14</p> <p>36PCS</p>	<p>E</p> <p>4PCS</p>	<p>F</p> <p>40PCS</p>	<p>G</p> <p>3.5x35</p> <p>17PCS</p>	<p>H</p> <p>1PCS</p>	<p>J</p> <p>20mm</p> <p>2PCS</p>
<p>K</p> <p>16mm</p> <p>4PCS</p>	<p>L</p> <p>4PCS</p>	<p>M</p> <p>4PCS</p>	<p>N</p> <p>6PCS</p>	<p>O</p> <p>4PCS</p>	<p>P</p> <p>3.5x20</p> <p>16PCS</p>	<p>Q</p> <p>4.0x1.4</p> <p>2PCS</p>		



NO.	Name	Qty (PCS)	NO.	Name	Qty (PCS)
①	roof	1	⑫	Smoke state	1
②	On the left side of the plate	1	⑬	Smoke blocked	1
③	The right side of the plate	1	⑭	Smoke state	1
④	Diaphragm plate	1	⑮	The bottom of the pump	1
⑤	Large transverse diaphragm	1	⑯	Article made	3
⑥	Small vertical partition	1	⑰	On the roof	1
⑦	Skirting board	1	⑱	The mirror plate	1
⑧	Door plank	1	⑲	The tailgate	2
⑨	The back one	1	⑳	The cabinet	2
⑩	The back two	1	㉑	The small cabinet	1
⑪	The drawer panel	1			

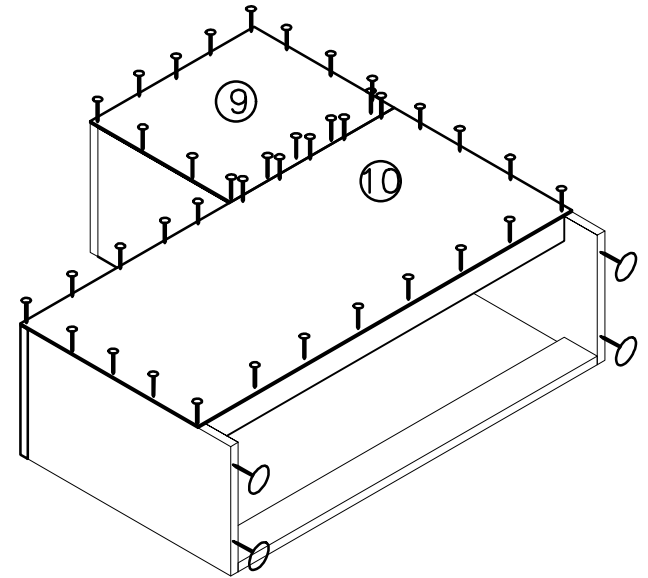


5



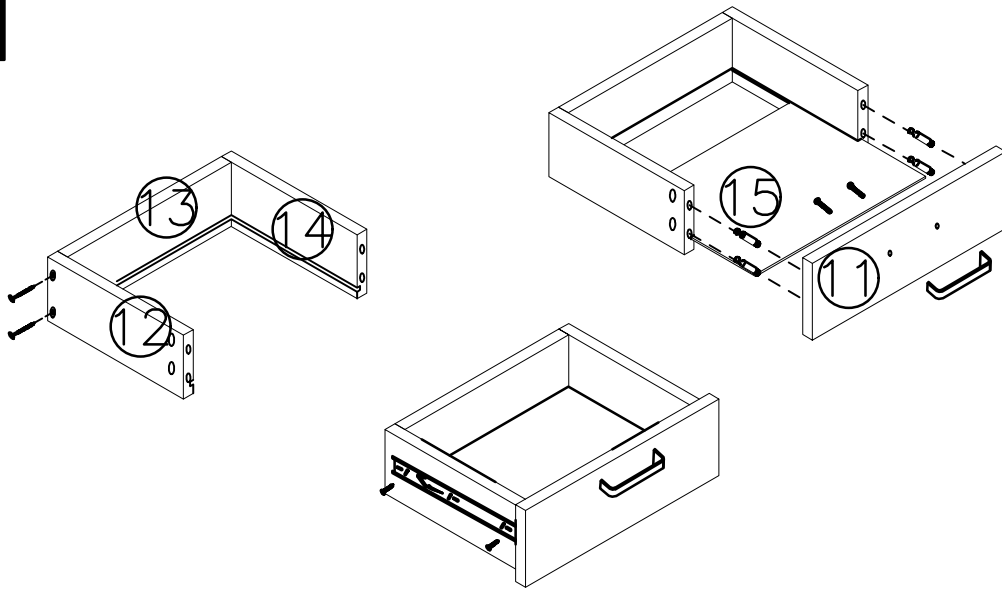
A*6

6



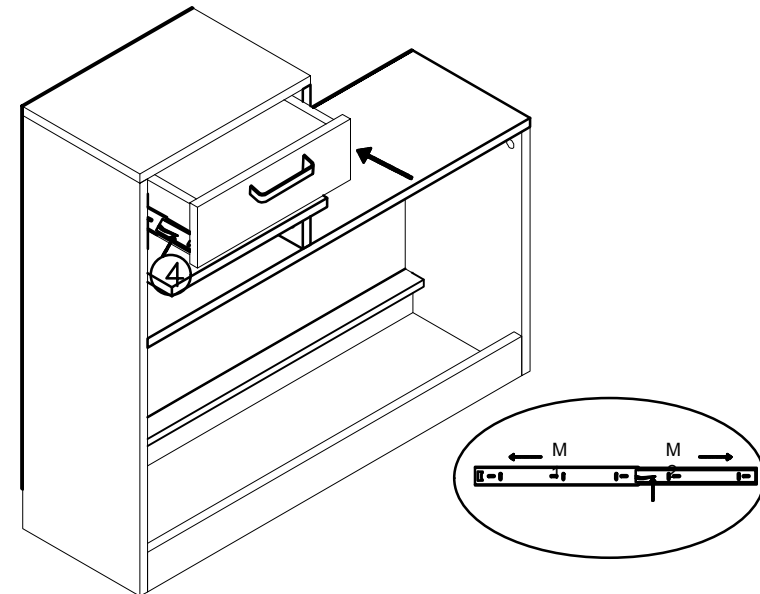
F*40 L*4

7

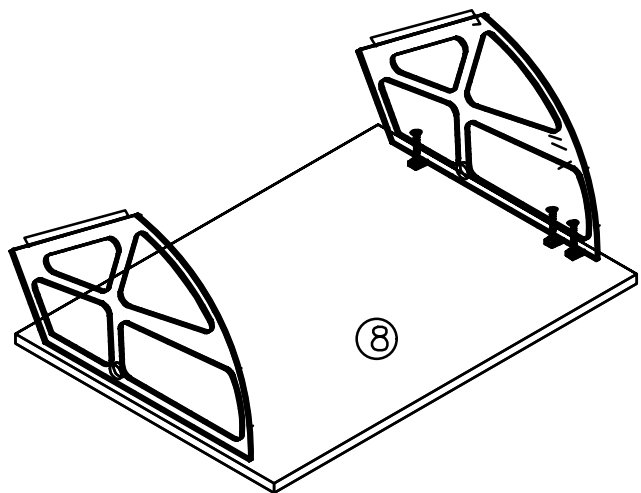


A*4 B*1 C2*1 D*4 G*4 J*2

8

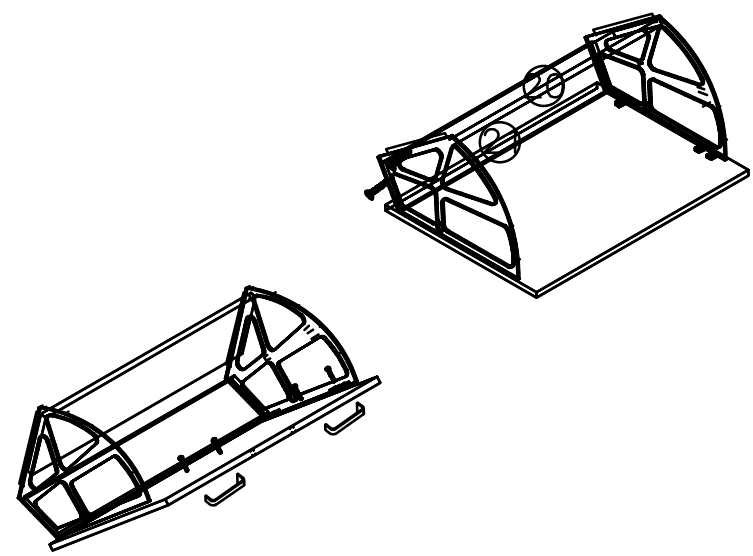


9



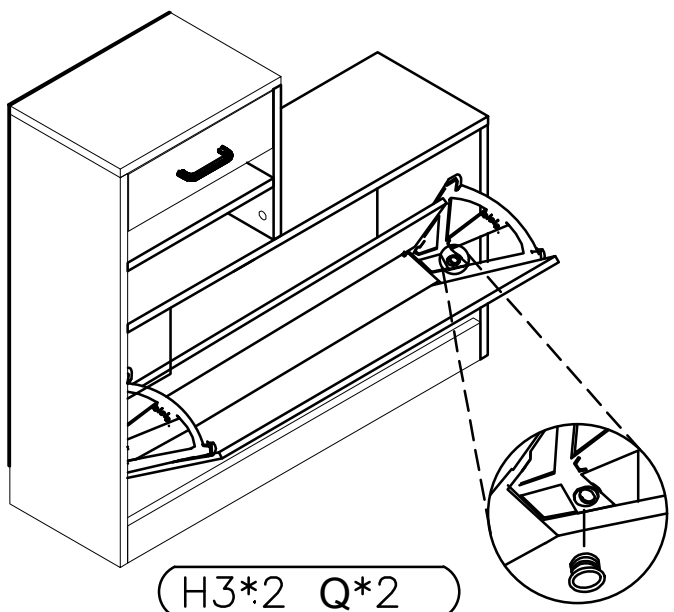
D*6

10



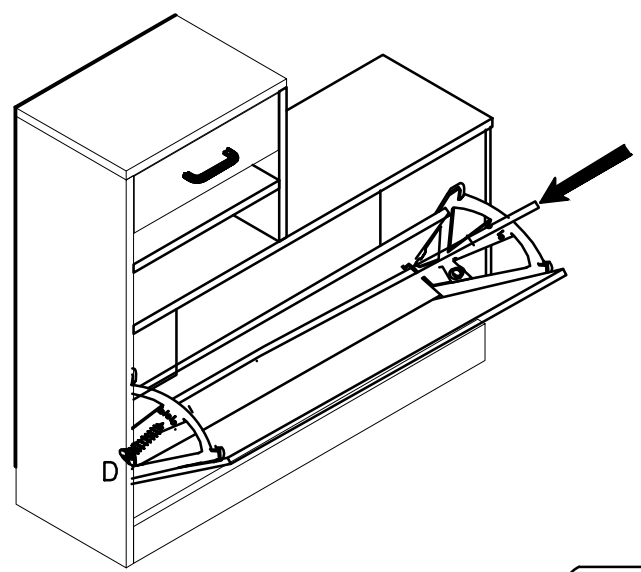
B*2 H*1 K*4 D*4

11



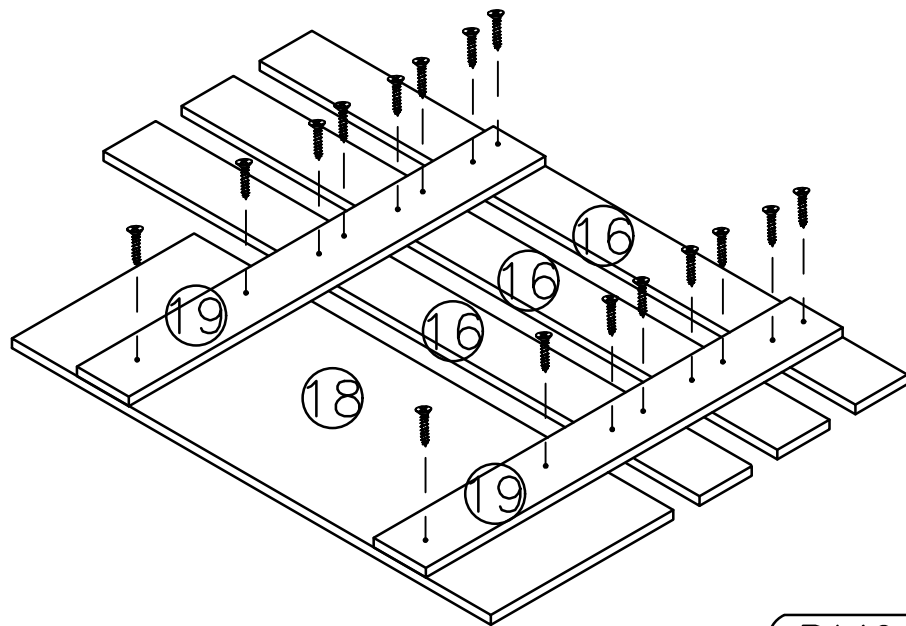
H3*2 Q*2

12



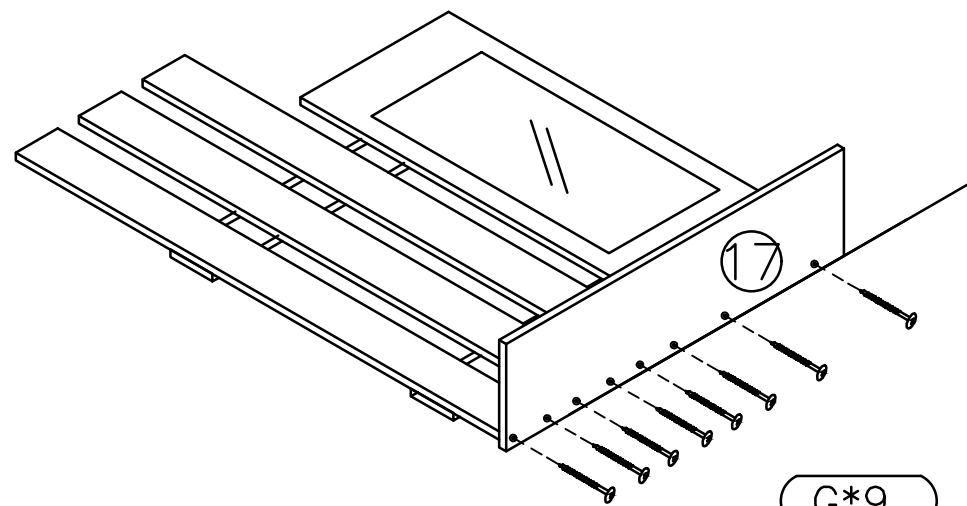
D*2

13



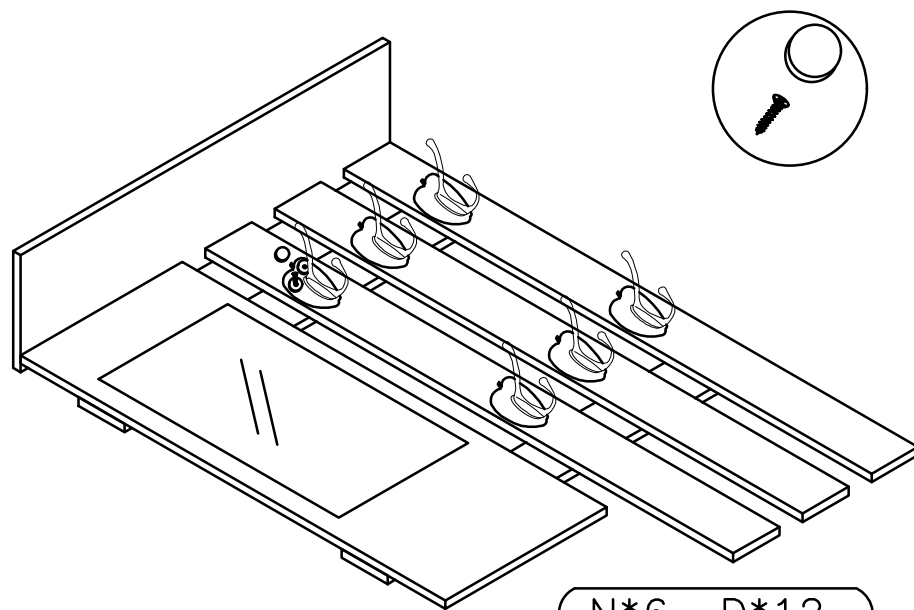
P*16

14



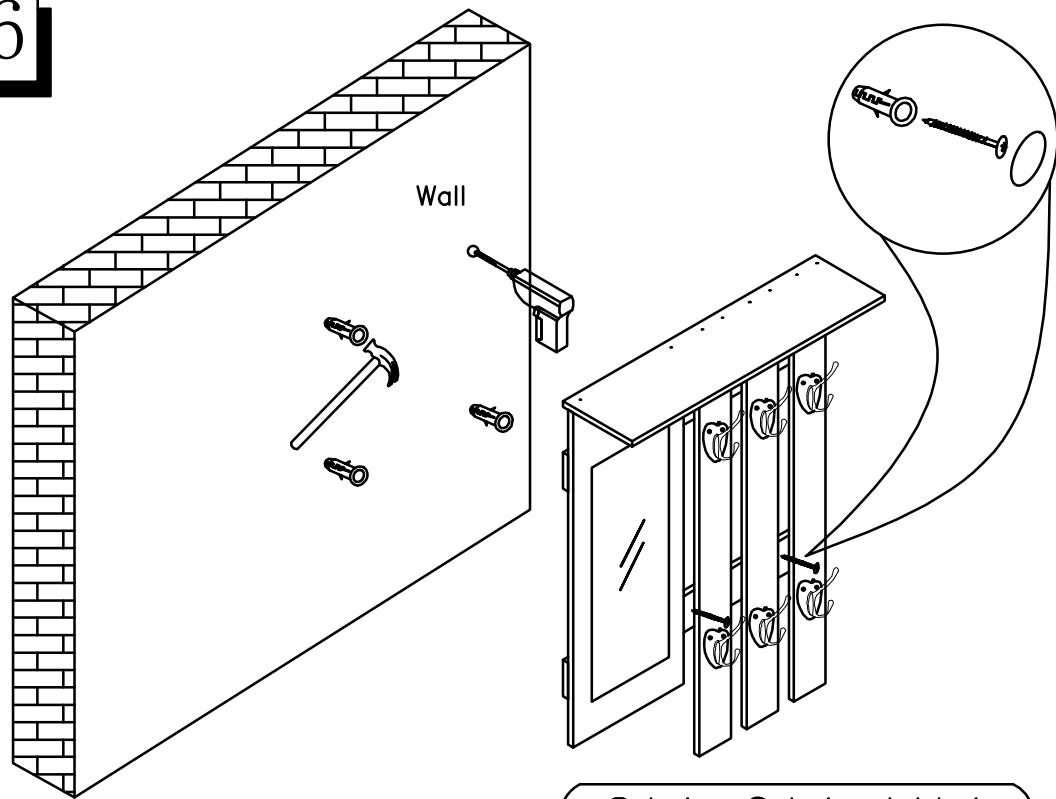
G*9

15



N*6 D*12

16



G*4 O*4 M*4

17

