
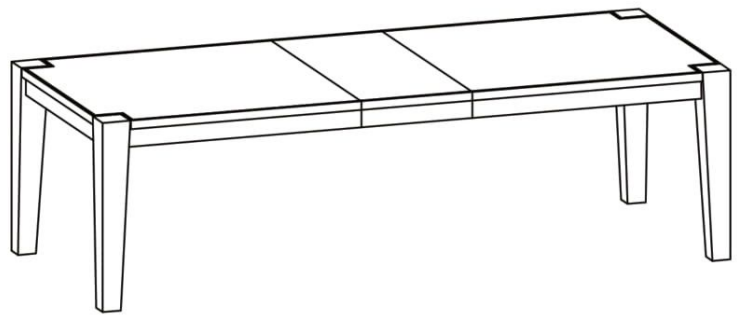


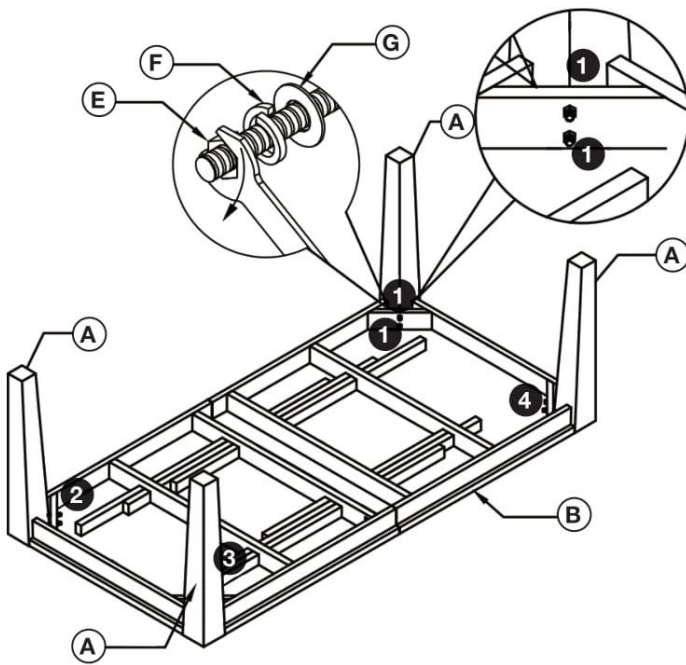
# ASSEMBLY INSTRUCTIONS | CANAL EXTENSION DINING TABLE

| PARTS CHECKLIST |   |                      |
|-----------------|---|----------------------|
| A               |  | Table Legs (4pcs)    |
| B               |  | Table Base (1pc)     |
| C               |  | Extension Leaf (1pc) |
| D               |  | Wrench (1pc)         |
| E               |  | Bolt (8pcs)          |
| F               |  | Spring Washer (8pcs) |
| G               |  | Washer (8pcs)        |



## Step 1

Assemble legs according to number labels.



## Step 2

Insert extension leaf.

