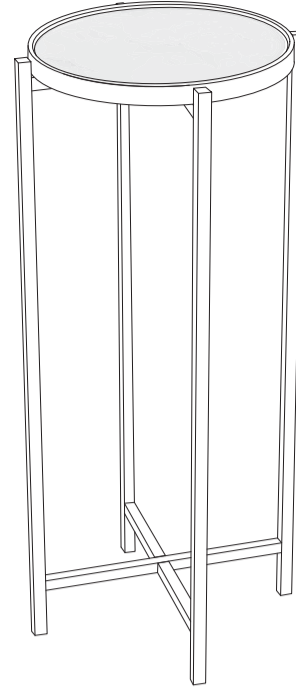
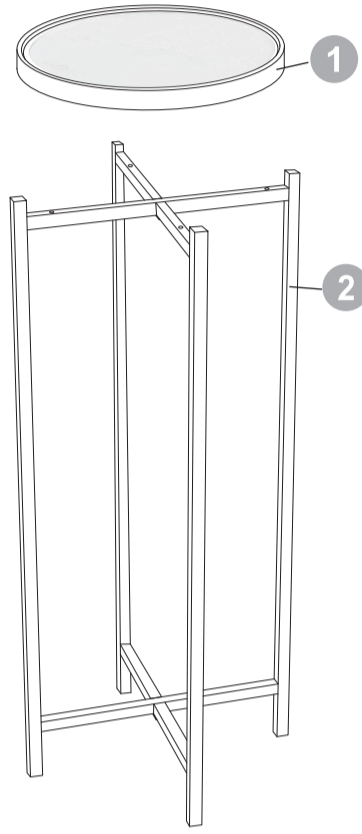
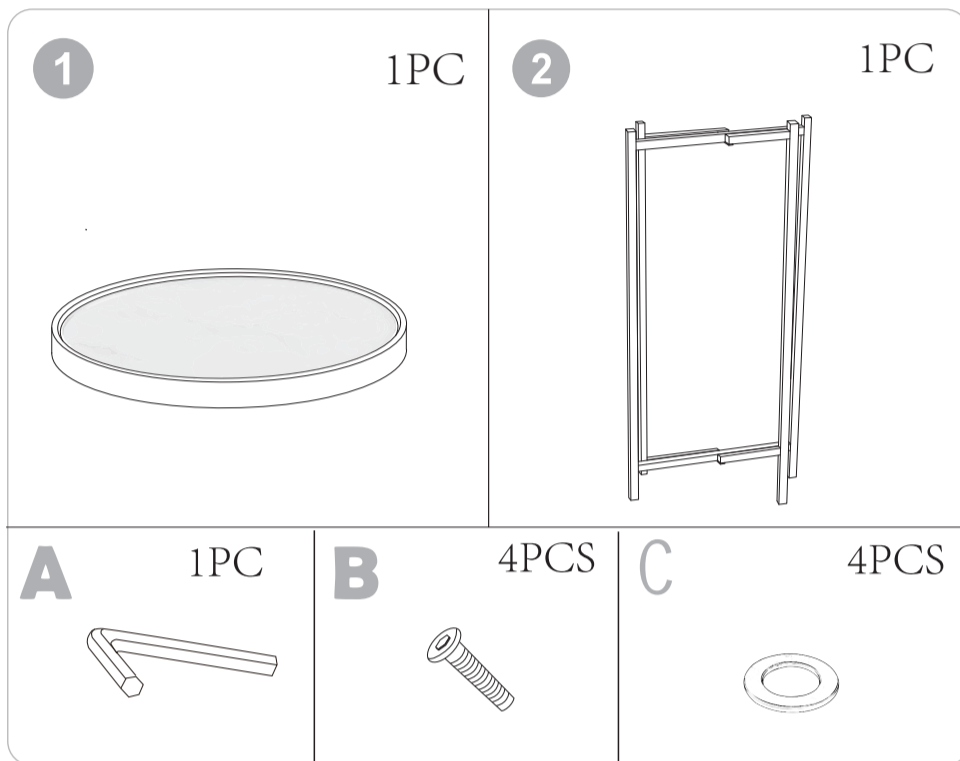


# Drink Table

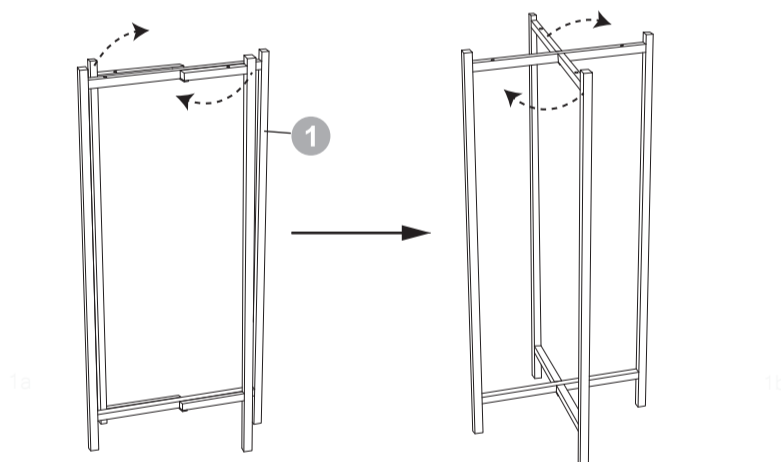
## ASSEMBLY INSTRUCTION



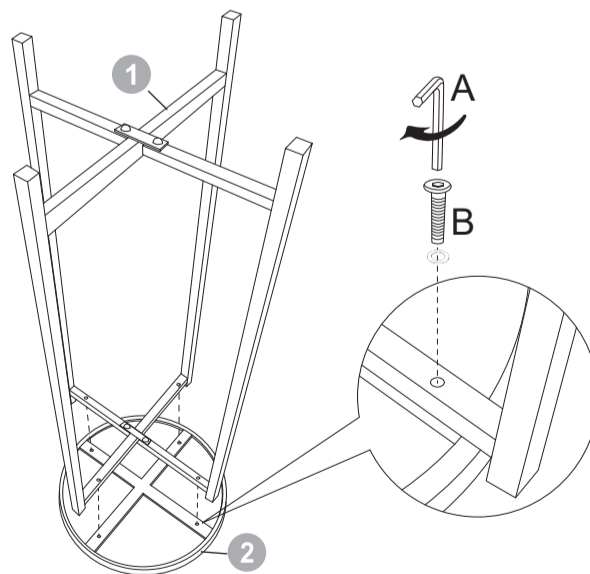
WE STRONGLY RECOMMEND THAT THE PRODUCT IS ASSEMBLED ON A FLAT AND SMOOTH SURFACE AND KEEP ON THE SAME HORIZONTAL LINE, OTHERWISE, THERE WILL BE A PHENOMENON OF SCREW DISLOCATION AND CANNOT BE INSTALLED.



**STEP1:**



**STEP2:**



**STEP3:**

