

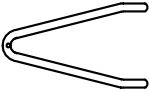
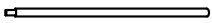

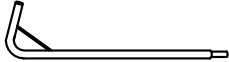
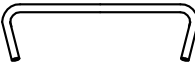



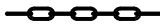


Thank you for choosing us. We stand behind our brand and the quality of the items we sell. Replacement parts or products will be sent at our discretion within the 1-year warranty period. Proof of purchase, with the date of purchase as well as photos of the merchandise defect, must be provided. Photos are used to determine the cause of defects and for future quality control. Register your warranty at our website.

If you have any questions, comments or concerns, feel free to contact us by phone, by email, or via our contact us page at our website.

# ADJUSTABLE HAMMOCK CHAIR STAND

Read all assembly and care instructions carefully before using this product. Save these instructions for future reference.

Select a smooth, level surface to place the hammock chair stand.  
Assemble components on a soft, clean surface to avoid scratching/damaging the finish.

|          |   |           |
|----------|---|-----------|
| <b>A</b> |    | <b>X1</b> |
| <b>B</b> |    | <b>X2</b> |
| <b>C</b> |    | <b>X2</b> |
| <b>D</b> |    | <b>X2</b> |
| <b>E</b> |    | <b>X1</b> |
| <b>F</b> |  | <b>X1</b> |
| <b>G</b> |  | <b>X4</b> |
| <b>H</b> |  | <b>X6</b> |
| <b>M</b> |  | <b>X1</b> |
| <b>N</b> |  | <b>X1</b> |
| <b>Y</b> |  | <b>X4</b> |



Inspect packaging to ensure all parts are accounted for before disposing of packaging.

## ⚠ CAUTION ⚠

*This adjustable hammock chair stand is not designed as a swing. Bouncing, swinging, or any other significant movement while in use may cause serious injury.*

*This stand must be used on a level, stable surface. Make sure all hardware is tightened securely, and the feet are correctly and evenly spaced (as shown) before each use.*

**Weight Limit: 330 lbs.**

## ⚠ WARNING:

Manufacturer and seller expressly disclaim any and all liability from personal injury, property damage or loss, whether direct or indirect, or incidental, resulting from the incorrect attachment, improper use, inadequate maintenance, or neglect of this product.

