

ASSEMBLY INSTRUCTIONS **135CM BED**

IMPORTANT : READ THESE INSTRUCTIONS CAREFULLY BEFORE ATTEMPTING TO ASSEMBLE OR USE YOUR 135CM BED .

PLEASE KEEP THESE INSTRUCTIONS FOR FUTURE REFERENCE.

ASSEMBLY:

Assembly should be carried out with this item laying flat, not standing upright.

Assemble on a soft, clean surface to prevent damages.

To erase the numbers printed on the pieces, use the rubber inside the accessories pack.

HEALTH & SAFETY:

DO NOT use this product if any parts are missing, damaged or worn.

DO NOT use this product unless all fixings are secured.

Always use on a level, even surface.

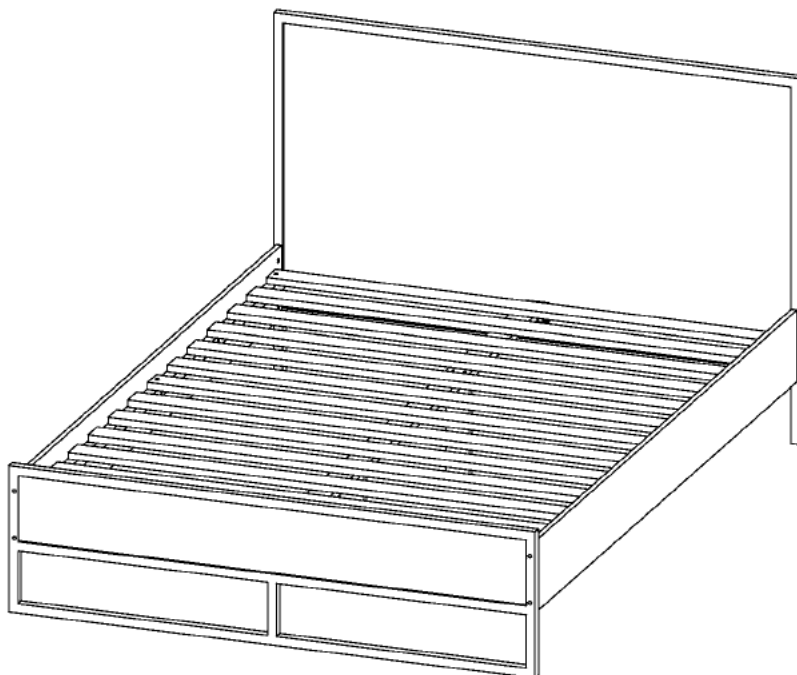
CARE & MAINTENANCE:

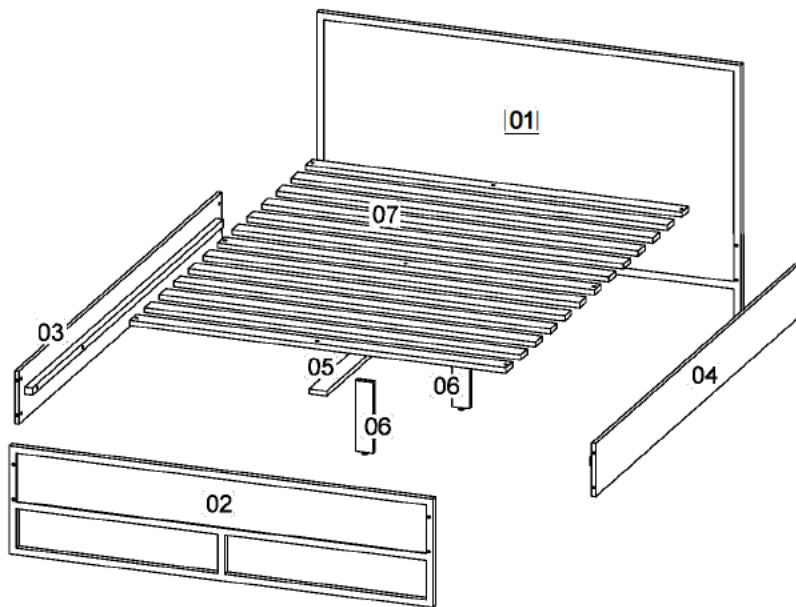
Periodically check all screws & fixings to ensure they are secure.

DO NOT push this product as this will cause damage.

Always lift this product with two people to repositions.

Keep any sharp objects away from this product.



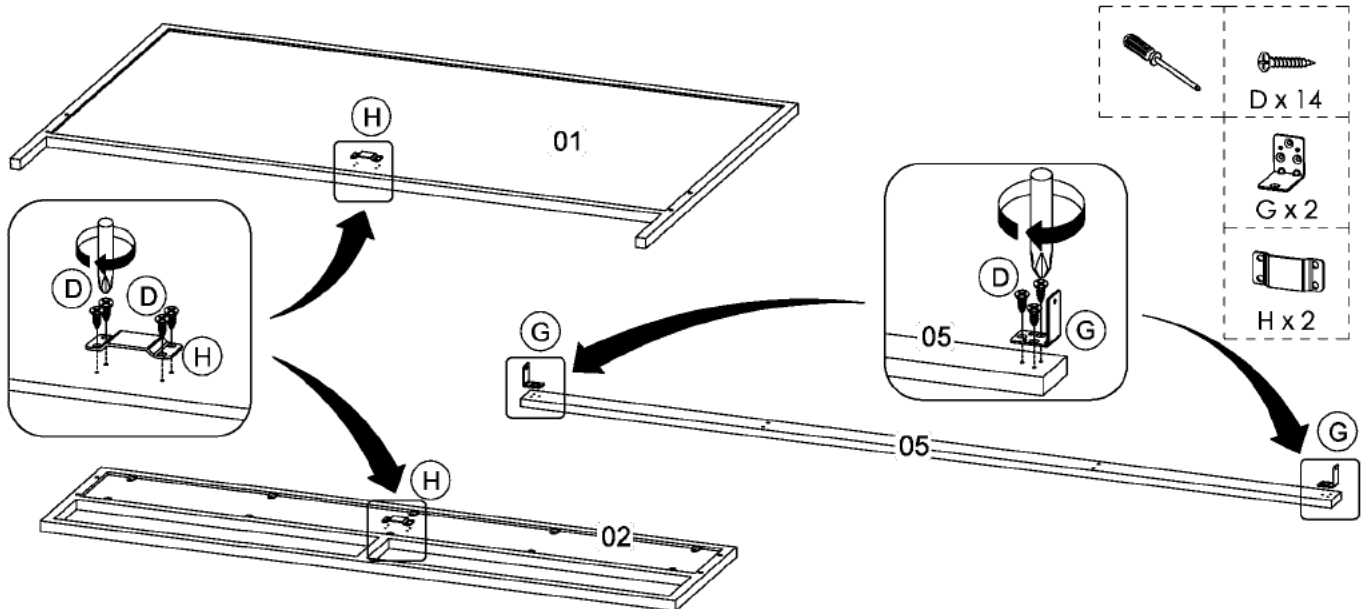


Parts List				Hardware List (BOX 2)			
Part	Description	Box	Qty	Part	Description		Qty
01	Headboard panel	1	1	A	JCBC Screw M6 x 60mm		8
02	Footboard panel	1	1	B	JRN Nut		8
03	Bed side rail (Left)	2	1	C	Allen key M4		1
04	Bed side rail (Right)	2	1	D	M3.5 x 16mm C.B Screw		16
05	Center rail	2	1	E	M4 x 38mm C.B Screw		9
06	Support legs	2	2	F	M6 x 50mm CSK Cap Wood screw		4
07	Bed slat	2	1 Set	G	Bracket L		2
				H	Bracket U		2

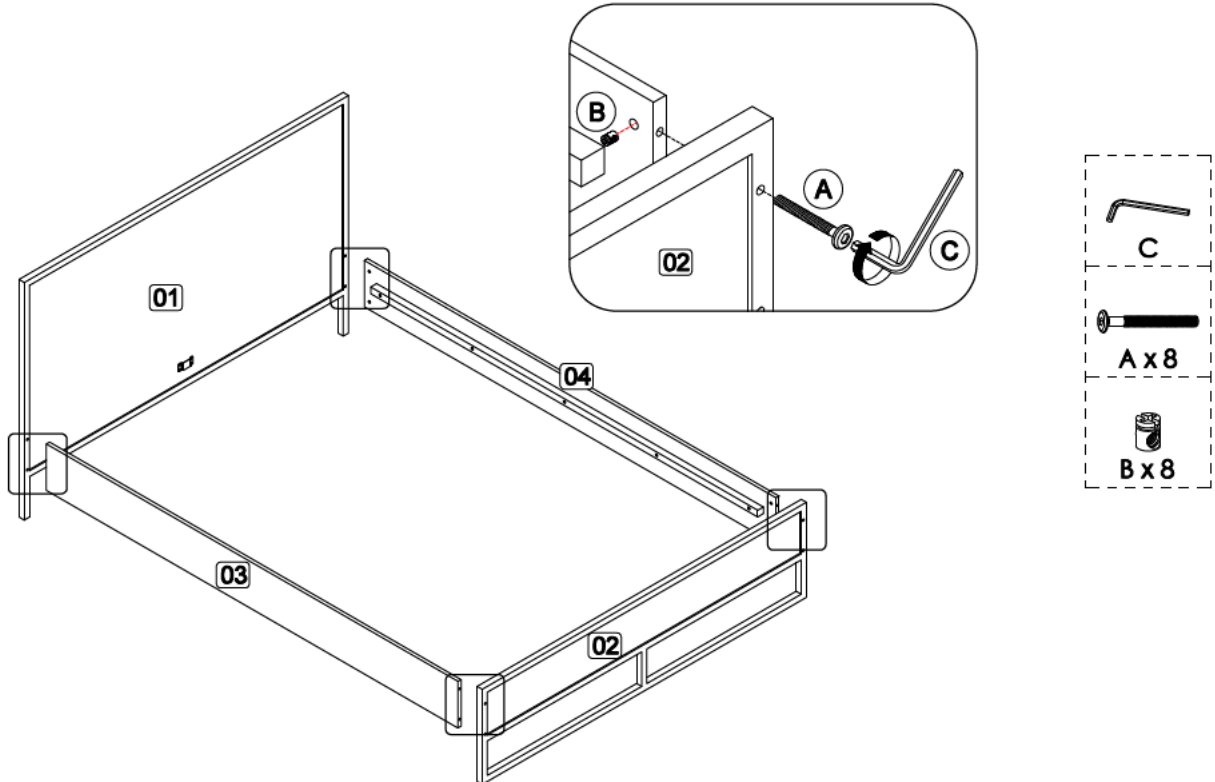
**** You will need a screwdriver for assembly.**

Step 1: Prepare these parts for assembly using hardware parts D, G and H.

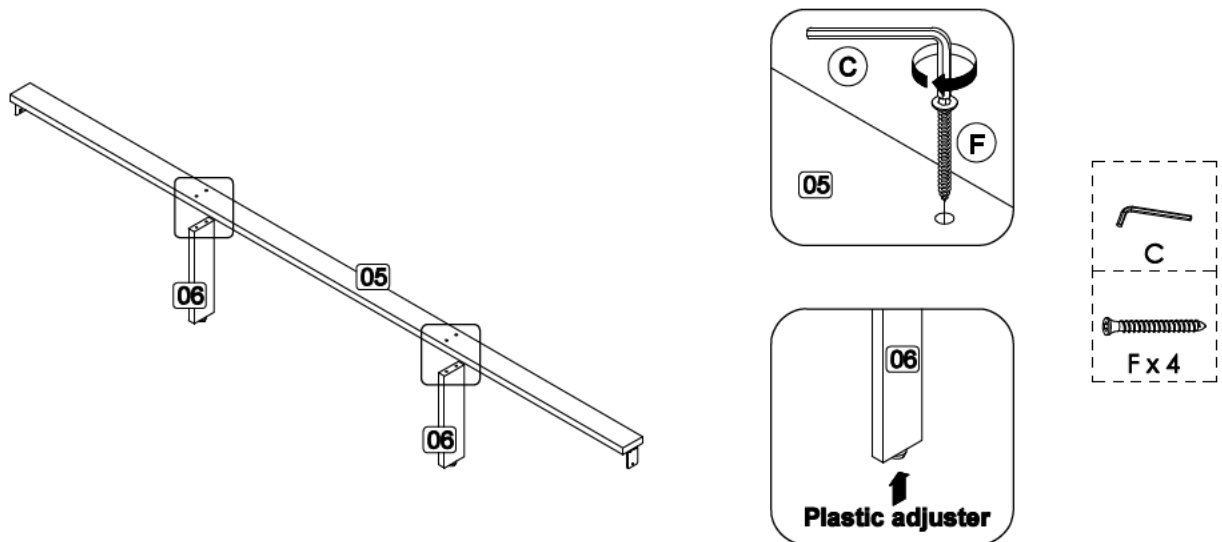
DO NOT use any power tools as this may damage the frame and will invalidate any claim.



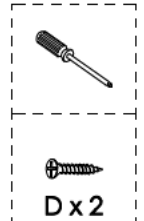
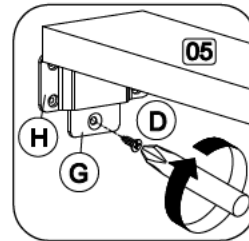
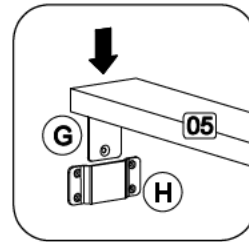
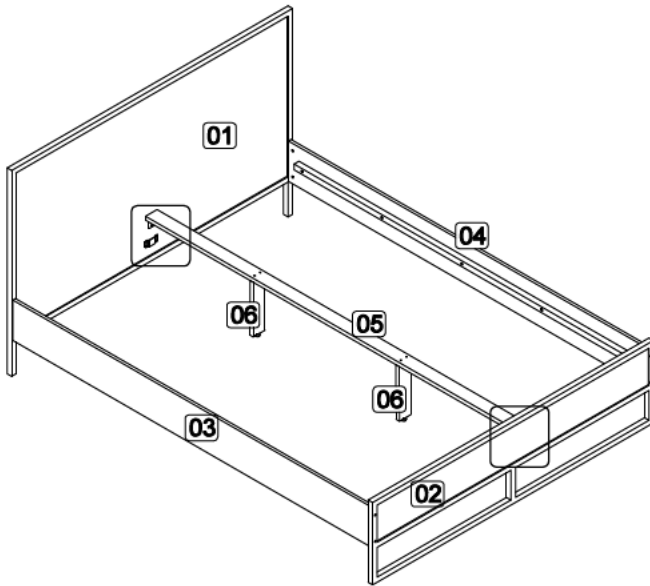
Step 2: Fix bed side rail (3) and (4) to headboard panel (1) and footboard panel (2) using hardware part A, B and C.
 Please note that do not fully tighten the hardware A before assembling the center rail (5).
DO NOT use any power tools as this may damage the frame and will invalidate any claim.



Step 3: Attach center rail (5) to support legs (6) using hardware C and F.
 Please note that support legs (6) has a plastic adjuster at the bottom to unscrew and adjust the height of center rail (5) if necessary.
DO NOT use any power tools as this may damage the frame and will invalidate any claim.



Step 4: Insert hardware G on the center rail (5) into hardware H on the headboard panel (1) and footboard panel (2) using hardware D with a screwdriver (not provided).
DO NOT use any power tools as this may damage the frame and will invalidate any claim.



Step 5: Attach bed slat (7) to bed side rail (3), (4) and center rail (5) using hardware E with a screwdriver (not provided).
DO NOT use any power tools as this may damage the frame and will invalidate any claim.

