

Large Acoustic Ceiling Oval Sound Absorber

PP-CW03G
Assembly Manual



Better Products for a Better Workspace Experience

We are dedicated to creating high-end ergonomic solutions
for the office with top of the industry support.

Explore Endless Workspace Solutions

www.vivo-us.com



WARNING



If you do not understand these directions, or if you have any doubts about the safety of the installation, please contact our product support team at 309-278-5303 or help@vivo-us.com for further assistance. Check carefully to make sure there are no missing or defective parts. Failure to report missing parts within 30 days may result in denial of free replacement. Improper installation may cause damage or serious injury. Do not use this product for any purpose that is not explicitly specified in this manual. Do not exceed weight capacity. We cannot be liable for damage or injury caused by improper mounting, incorrect assembly or inappropriate use.



WARNING: CHOKING HAZARD

SMALL PARTS - NOT FOR CHILDREN UNDER 3 YEARS. ADULT SUPERVISION IS REQUIRED.

Need Help? We're Here For You

US-Based Customer Support from Trained Professionals

Monday-Friday from 7am-7pm CST

Saturday 8am-4pm CST



Email Us

help@vivo-us.com



Chat with Live Agent

www.vivo-us.com



Give Us a Call

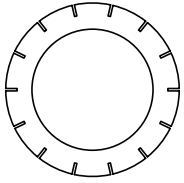
309-278-5303 ext. 1



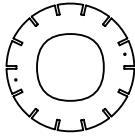
Assembly Video & Product Info

www.vivo-us.com/products/pp-cw03g

Package Contents



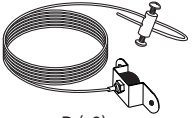
A (x1)
Large Ring



B (x2)
Small Ring



C (x14)
Side Panel



D (x2)
Cable

Included Hardware & Tools



W-A (x8)
ST4x41mm
Screw



W-B (x8)
Concrete Anchor

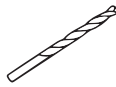
Tools Needed:



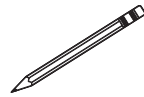
**Phillips
Screwdriver**



Drill



Drill Bit
Wood Joist: 1/8" (3mm)
Concrete: 5/16" (8mm)

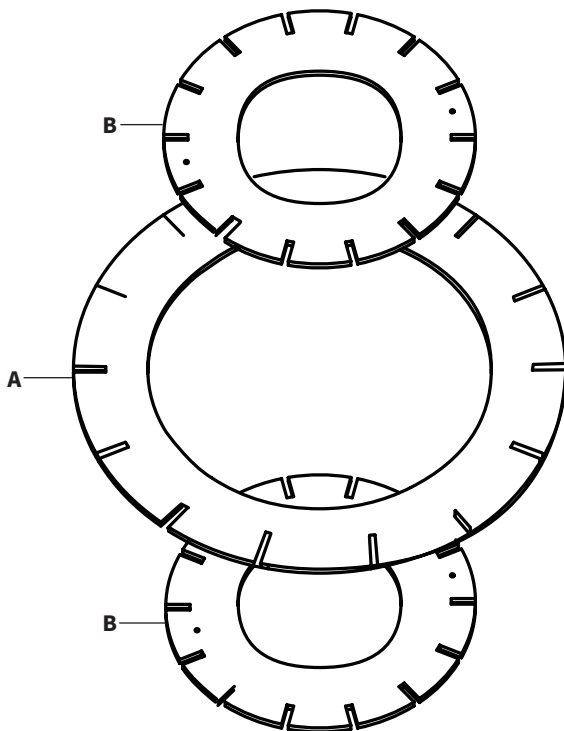
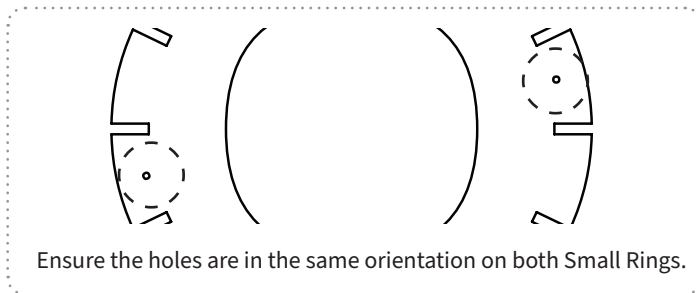


Pencil

Assembly Steps

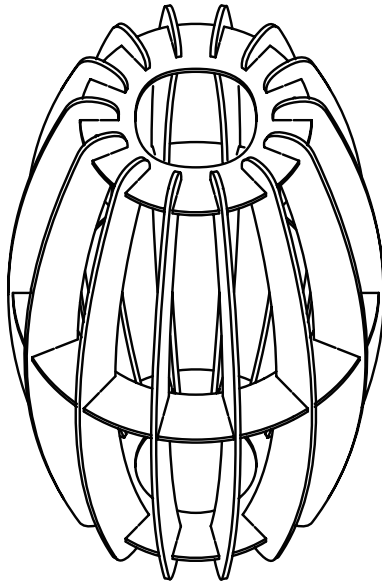
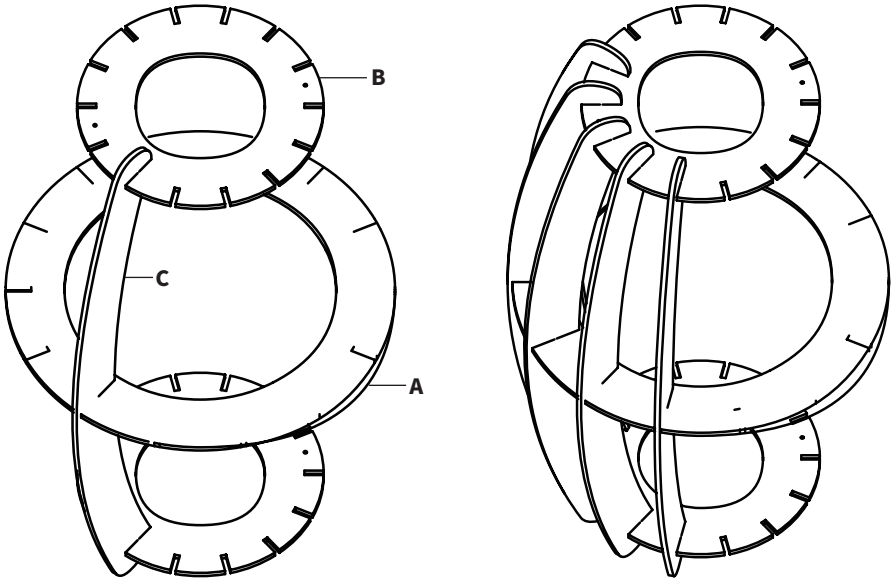
STEP 1

Arrange Rings (A,B) so that the Large Ring (A) is on the inside and Small Rings (B) are on the outside.



STEP 2

Insert Side Panels (**C**) around the Large and Small Rings (**A,B**) making sure the slots fully interlock with each other.

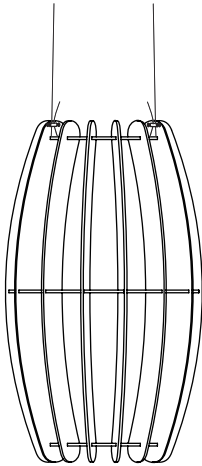


STEP 3

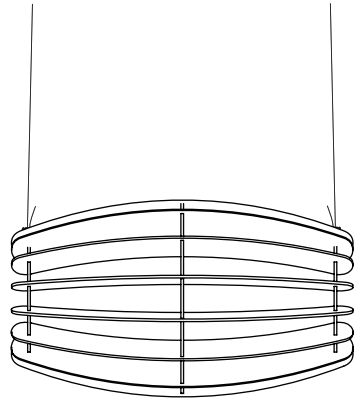
Choose Mounting Orientation

Panel assembly can be installed vertically or horizontally.
Choose the option you wish to proceed with.

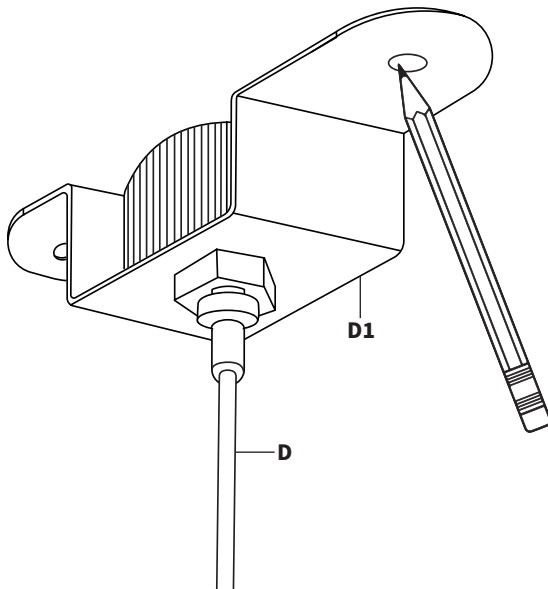
Vertical



Horizontal



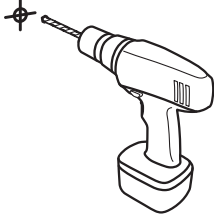
Hold up the end of Cable (**D**) with Ceiling Bracket (**D1**) in the appropriate locations to match the width of the mounting orientation chosen above. Mark the holes using a pencil.



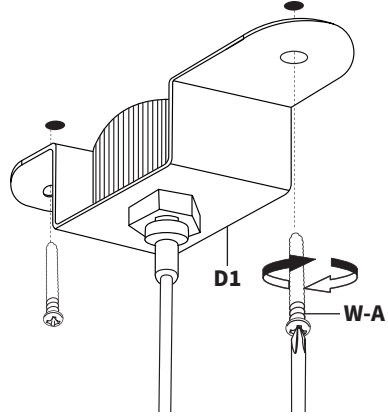
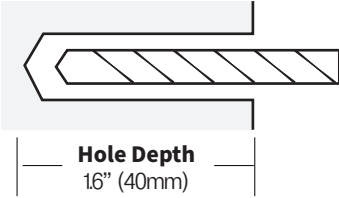
Wood Joist Installation

Pre-Drilling Instructions

Drill mounting holes using illustration below.



Drill Bit: 1/8" (3mm)

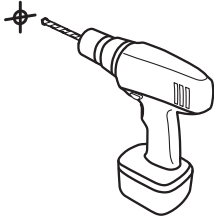


Secure Ceiling Brackets (**D1**) to the ceiling using ST4x41mm Screws (**W-A**) and a Phillips screwdriver.

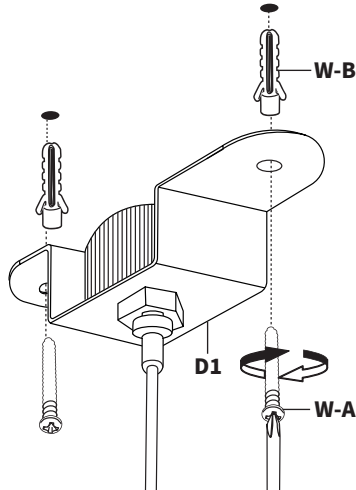
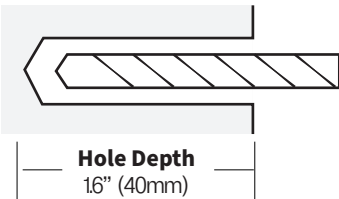
Concrete Installation

Pre-Drilling Instructions

Drill mounting holes using illustration below.



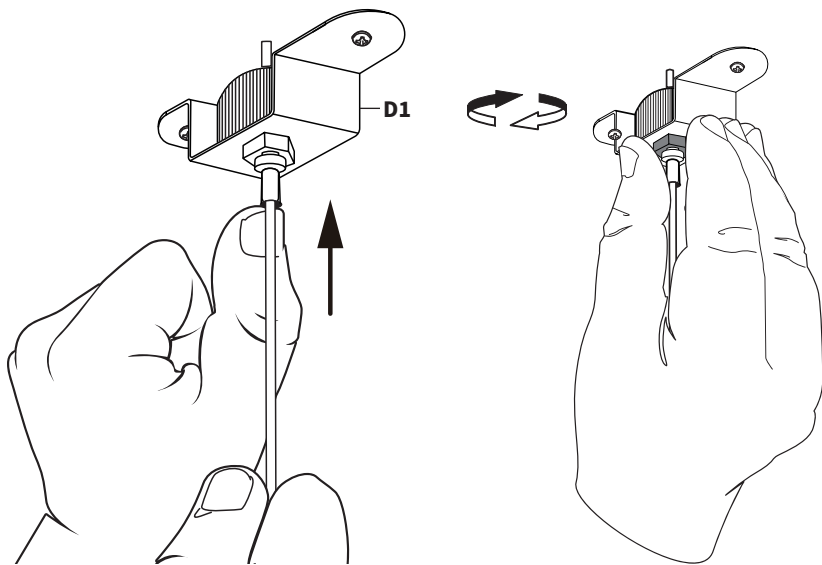
Drill Bit: 5/16" (8mm)



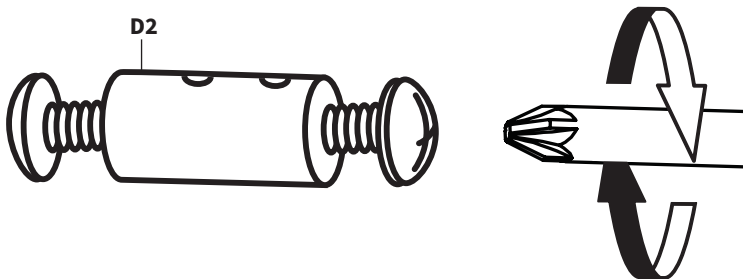
Insert Concrete Anchors (**W-B**) into the holes. Secure Ceiling Brackets (**D1**) to the ceiling using ST4x41mm Screws (**W-A**) and a Phillips screwdriver.

STEP 5

Press in the spring-loaded barrel on Ceiling Brackets (**D1**) and adjust the cable lengths to your desired height. Hand tighten the nuts on Ceiling Brackets.

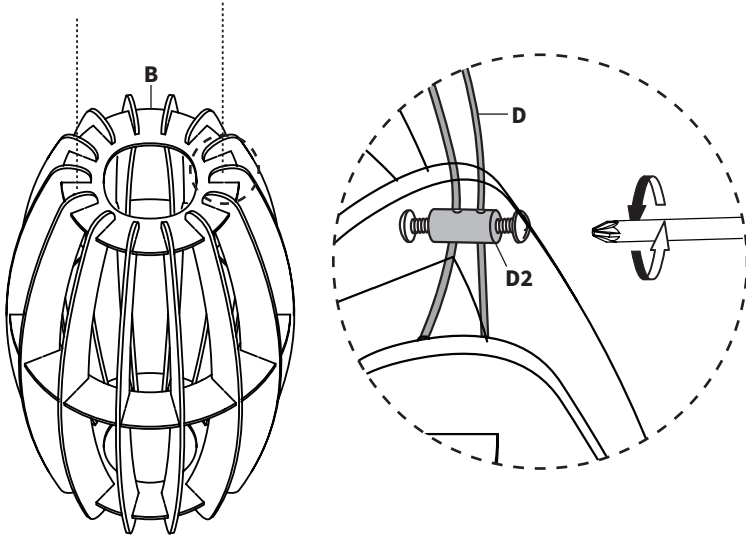


Loosen the screws on Fasteners (**D2**) using a Phillips screwdriver and remove from Cable (**D**).



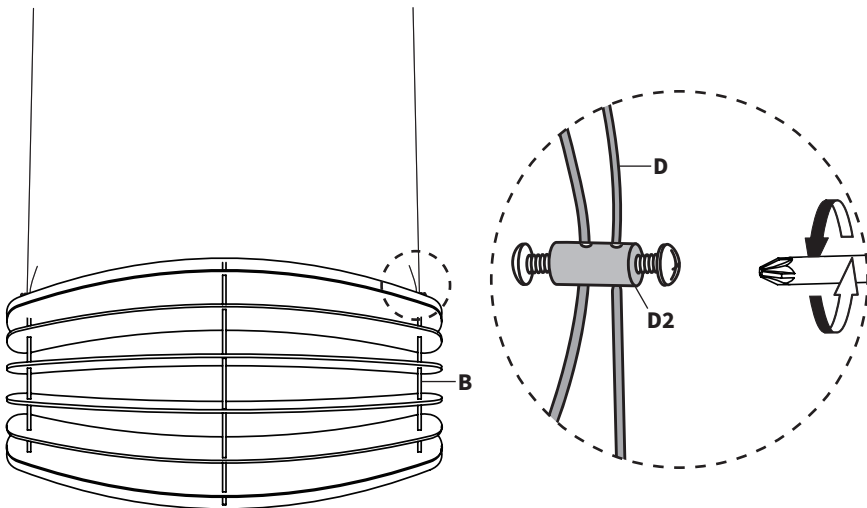
Vertical Orientation

Loop Cables (**D**) through the both holes on the same Small Ring (**B**). Feed Cables through the Fastener (**D2**) and loop them back through the second hole. Use a Phillips screwdriver to tighten the screws on Fasteners



Horizontal Orientation

Loop Cables (**D**) through one hole on each Small Ring (**B**). Feed Cables through the Fastener (**D2**) and loop them back through the second hole. Use a Phillips screwdriver to tighten the screws on Fasteners



V·I·V·



Love Your New Setup?
Tag Us on Social!



@VIVO-us



@vivo_us



@VIVOus



VIVO



Need Help? **We're Here For You**

Monday-Friday from 7am-7pm CST

Saturday 8am-4pm CST



Email Us
help@vivo-us.com



Chat with Live Agent
www.vivo-us.com



Give Us a Call
309-278-5303 ext. 1



VIVO-us



@vivo_us



@VIVOus



VIVO