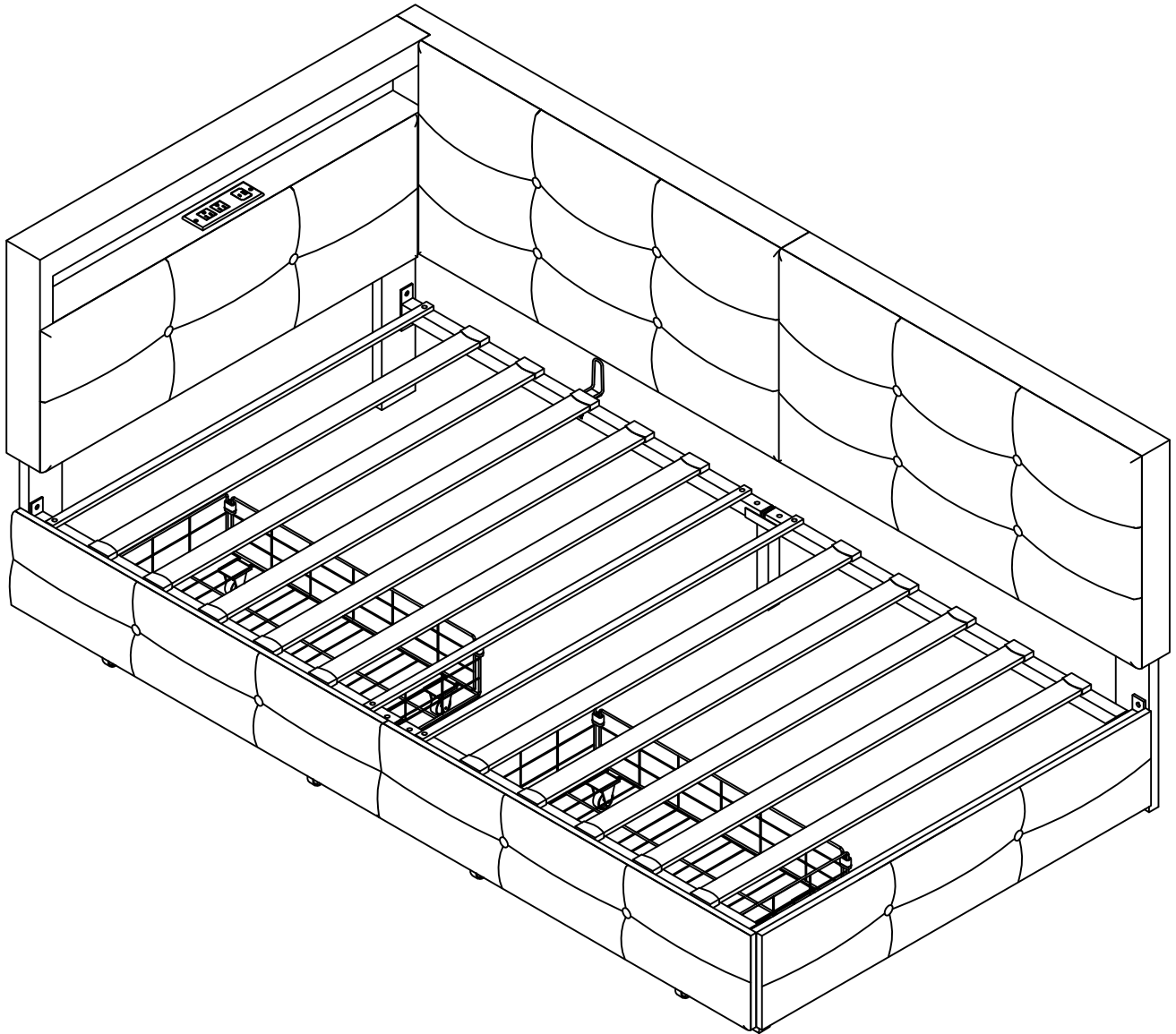


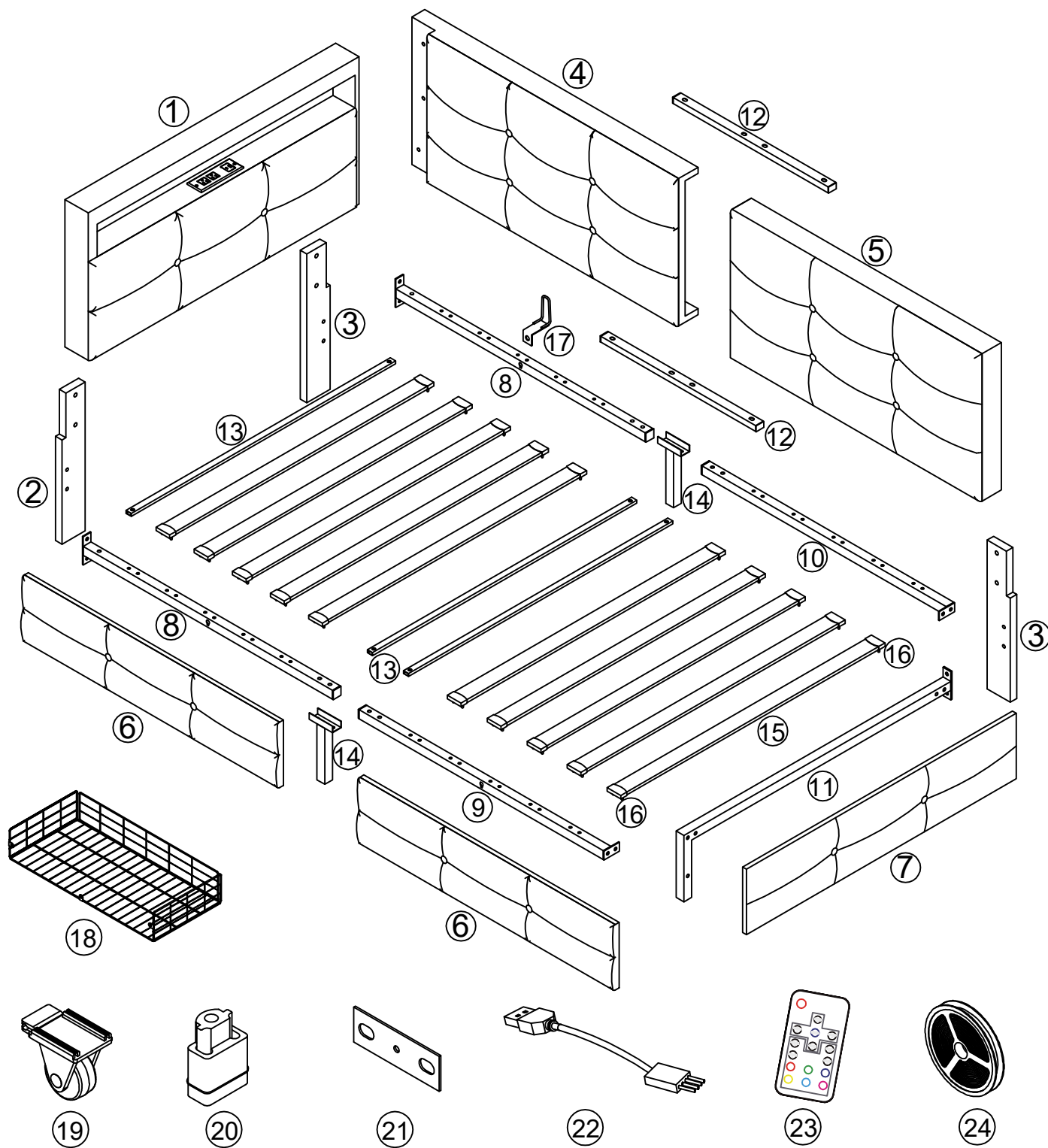
# ASSEMBLY INSTRUCTIONS

## INSTRUCTIONS DE MONTAGE



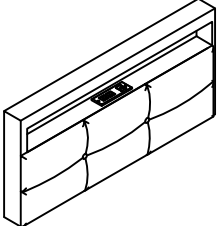
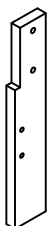
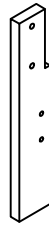
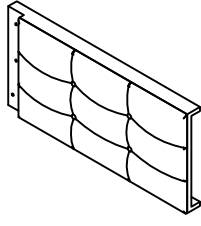
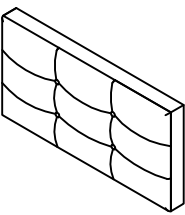
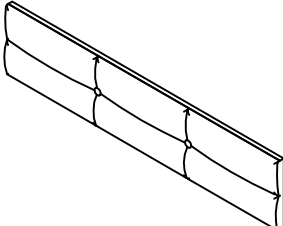
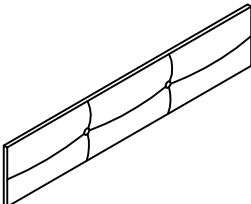
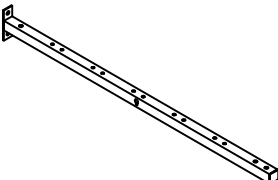
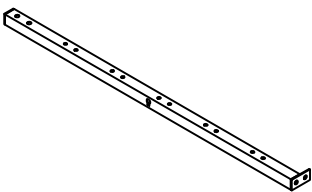
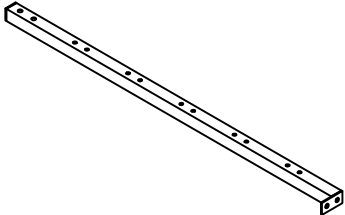
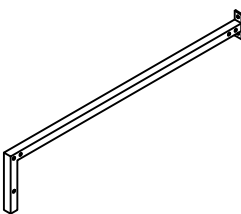
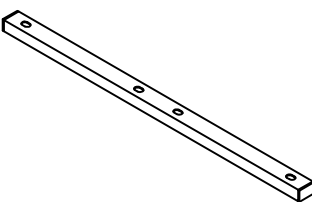
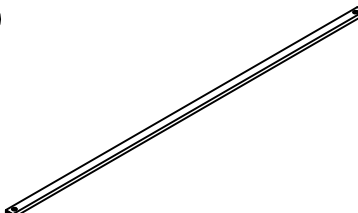
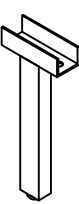
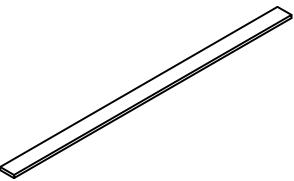

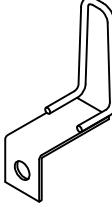
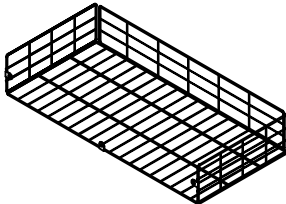
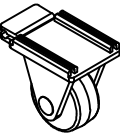
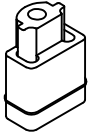
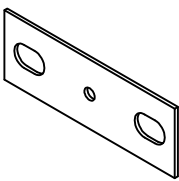
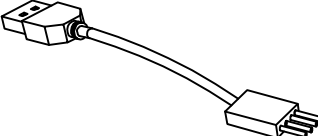
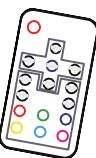

# ASSEMBLY INSTRUCTIONS

## INSTRUCTIONS DE MONTAGE



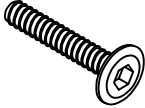


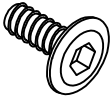
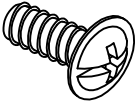
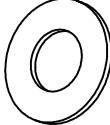
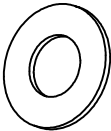
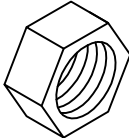
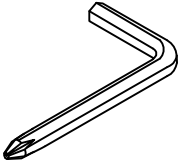
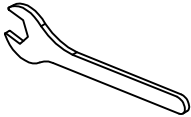
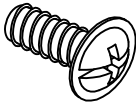
# Part List

## Liste de pièces

<p>①</p>  <p>x 1</p>	<p>②</p>  <p>x 1</p>	<p>③</p>  <p>x 2</p>	<p>④</p>  <p>x 1</p>
<p>⑤</p>  <p>x 1</p>	<p>⑥</p>  <p>x 2</p>	<p>⑦</p>  <p>x 1</p>	
<p>⑧</p>  <p>x 2</p>	<p>⑨</p>  <p>x 1</p>	<p>⑩</p>  <p>x 1</p>	
<p>⑪</p>  <p>x 1</p>	<p>⑫</p>  <p>x 2</p>	<p>⑬</p>  <p>x 3</p>	
<p>⑭</p>  <p>x 2</p>	<p>⑮</p>  <p>x 10</p>	<p>⑯</p>  <p>x 20</p>	<p>⑰</p>  <p>x 1</p>
<p>⑱</p>  <p>x 2</p>	<p>⑲</p>  <p>x 8</p>	<p>⑳</p>  <p>x 4</p>	<p>㉑</p>  <p>x 1</p>
<p>㉒</p>  <p>x 1</p>	<p>㉓</p>  <p>x 1</p>	<p>㉔</p>  <p>x 1</p>	

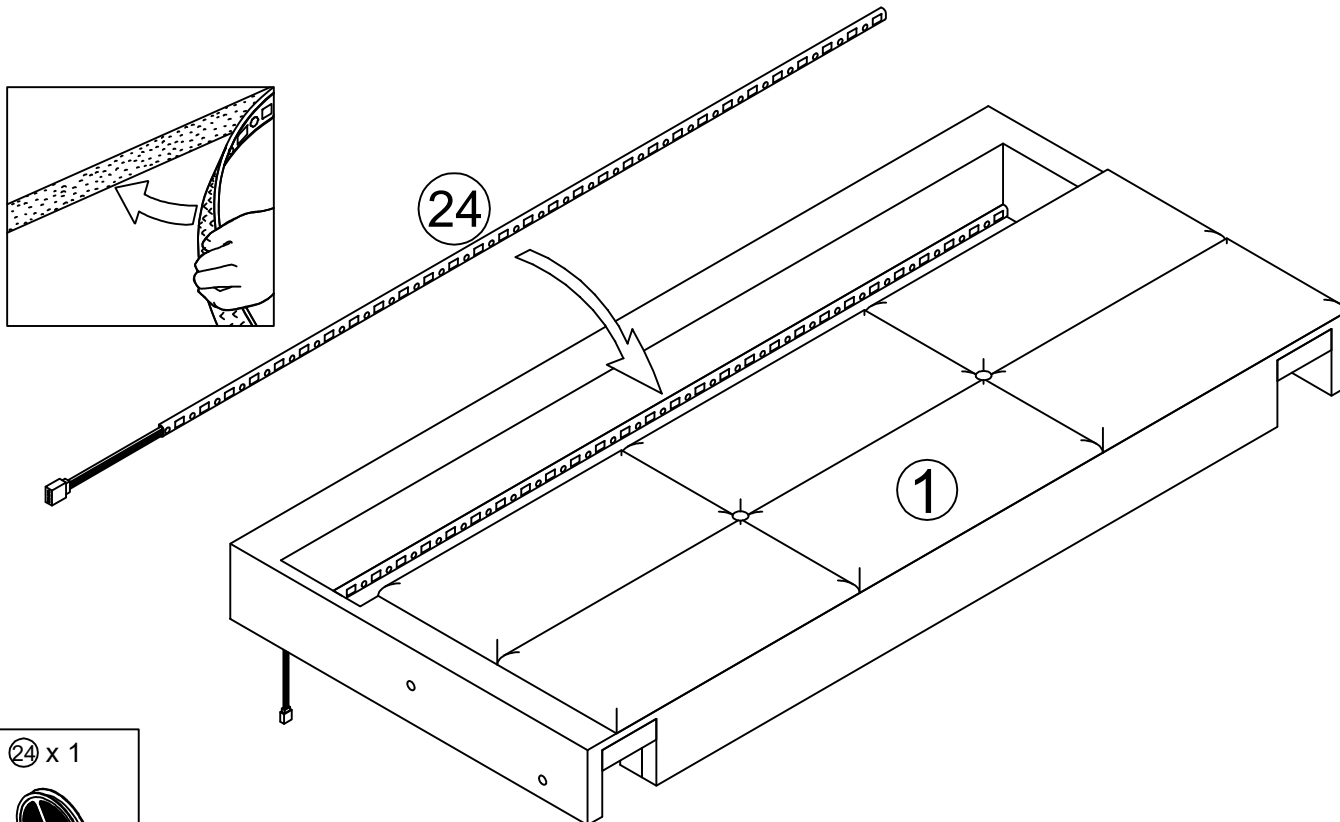
# Hardware List

## Liste de matériel

<p>Ax16+1 PCS</p>  <p>5/16X45mm</p>	<p>Bx11+1 PCS</p>  <p>5/16X35mm</p>	<p>Cx6 PCS</p>  <p>5/16X25mm</p>
<p>Dx8 PCS</p>  <p>5/16X15mm</p>	<p>Ex6 PCS</p>  <p>1/4X15mm</p>	<p>Fx1 PC</p>  <p>Ø19X5/16</p>
<p>Gx6 PCS</p>  <p>Ø16X1/4</p>	<p>Hx1 PC</p>  <p>5/16</p>	<p>Jx1 PC</p>  <p>5/16</p>
<p>Kx1 PC</p>  <p>5/16</p>	<p>Lx2 PC</p>  <p>1/4X20mm</p>	

**STEP 1** Attach the LED strip(24) to the Velcro fabric inside the bed headboard.

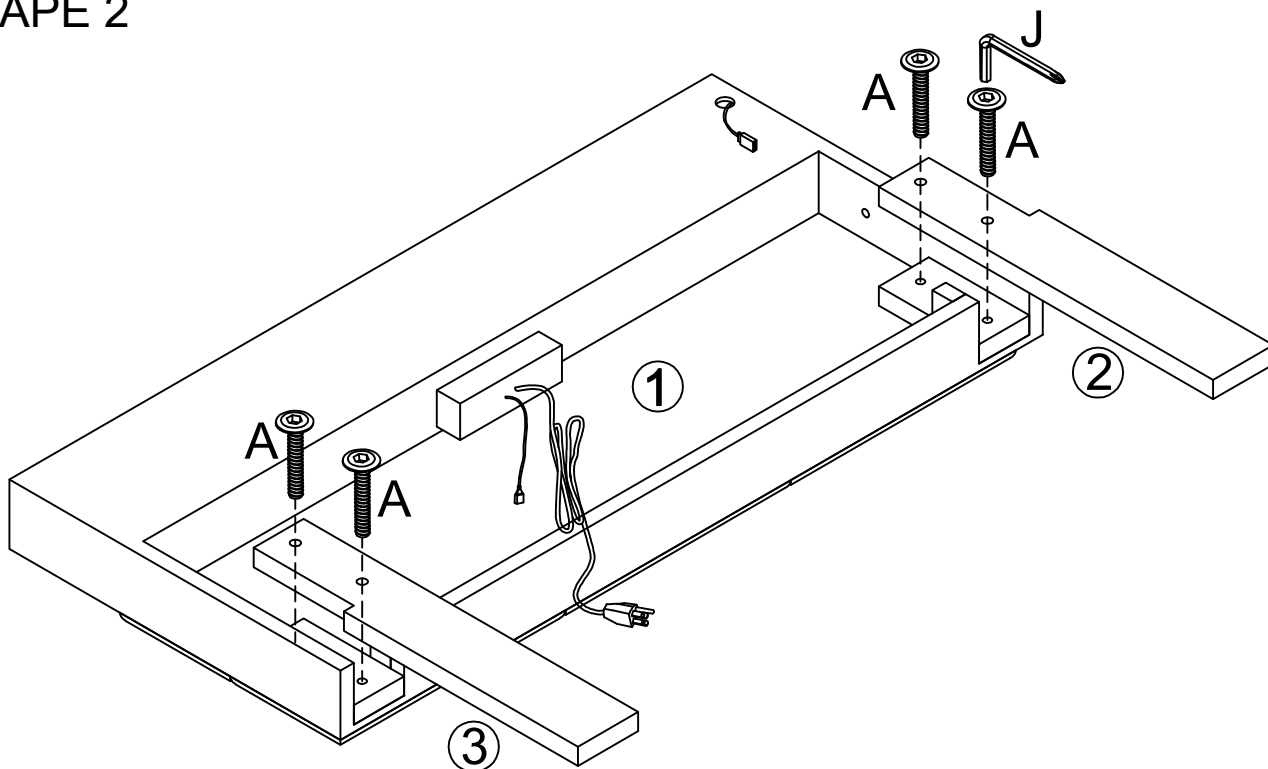
**ETAPE 1** Fixez la bande LED(24) sur le tissu Velcro à l'intérieur de la tête de lit.



24 x 1



**STEP 2**  
**ETAPE 2**



A x 4



5/16X45mm

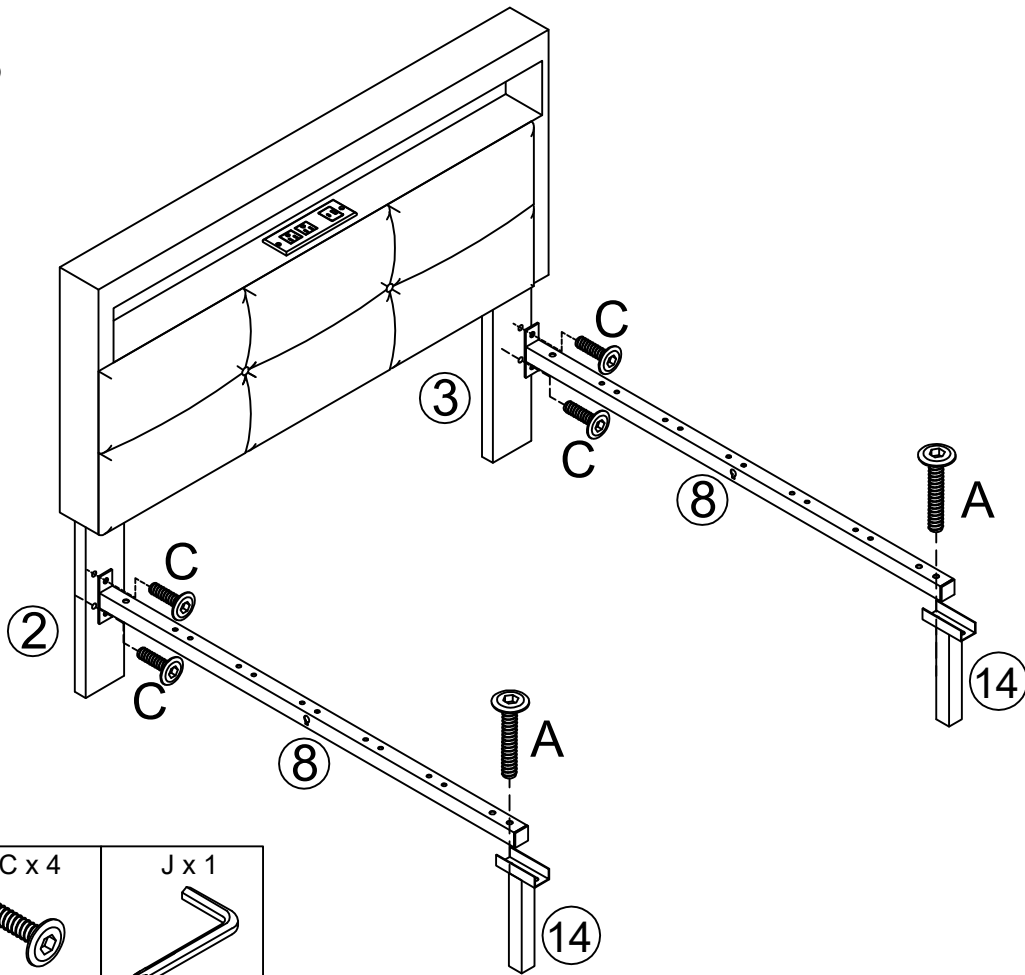
J x 1






5/16

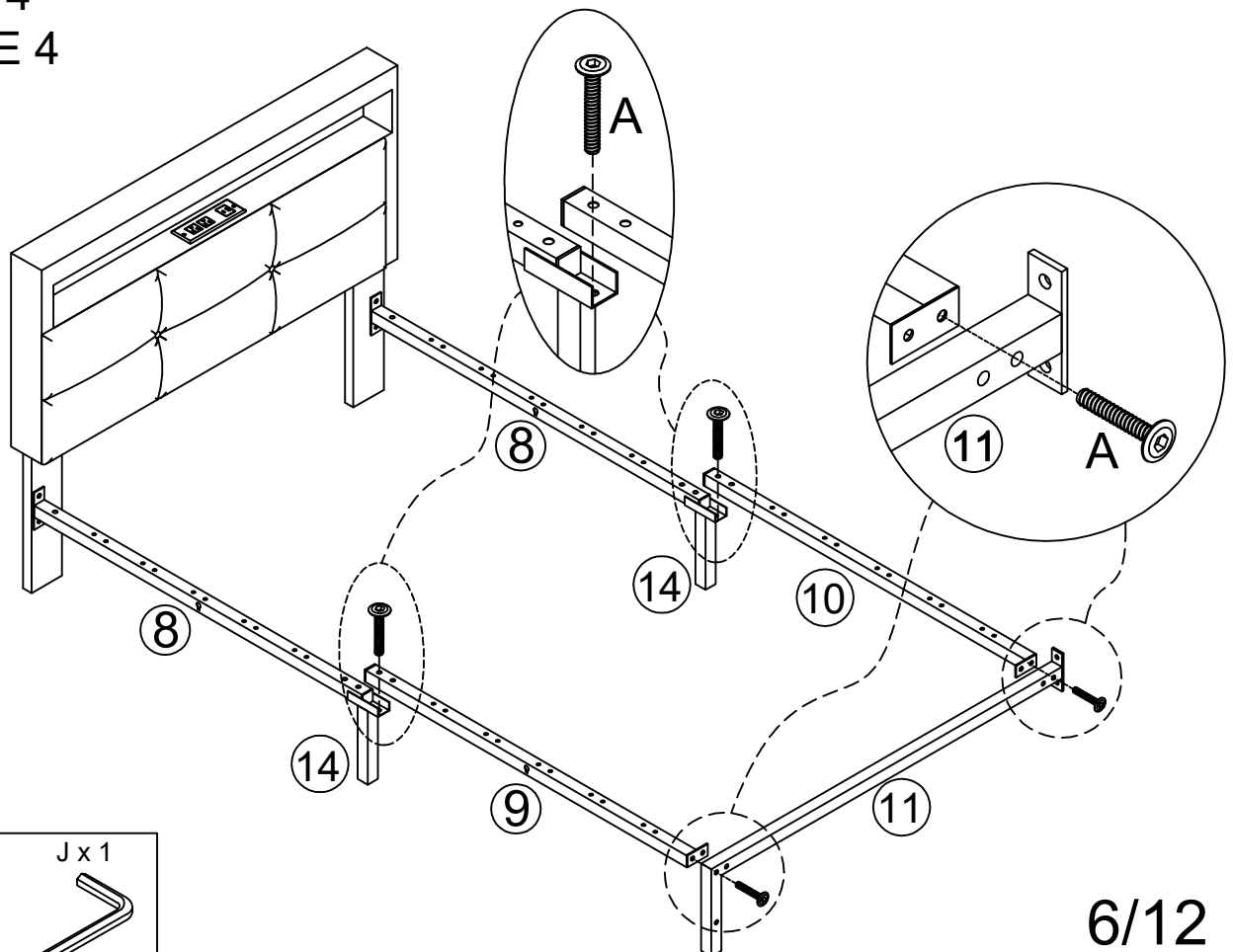
5/12



STEP 3  
ETAPE 3



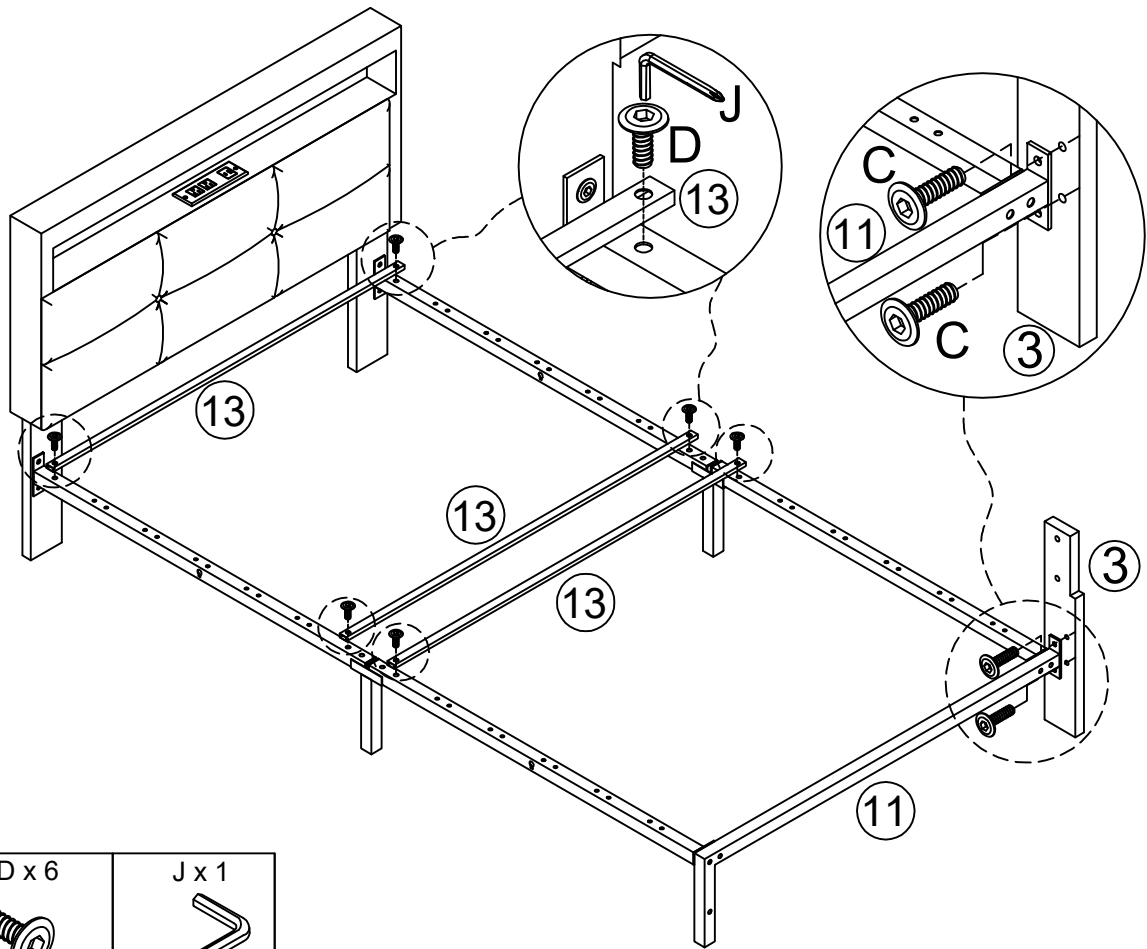
A x 2	C x 4	J x 1
		
5/16X45mm	5/16X25mm	5/16




STEP 4  
ETAPE 4



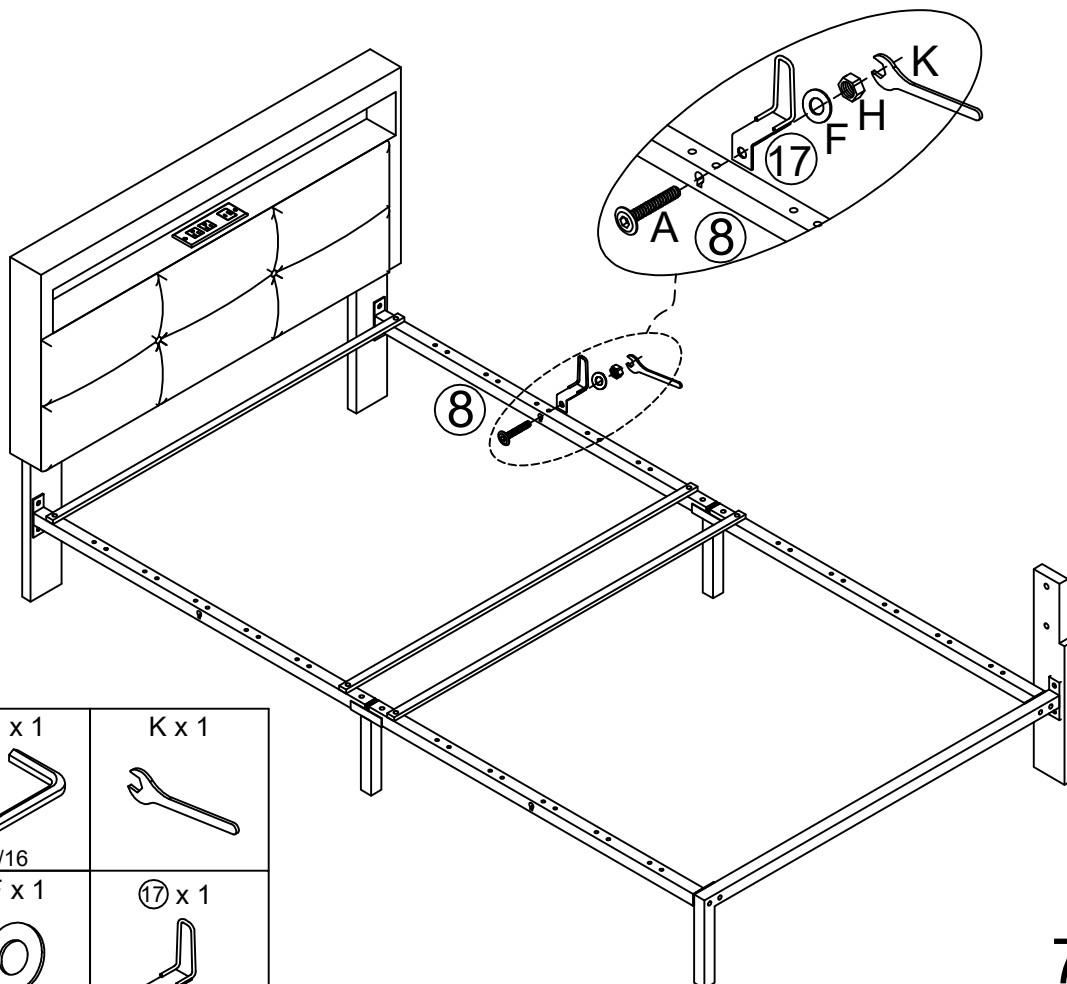
A x 4	J x 1
	
5/16X45mm	5/16






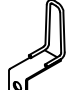
**STEP 5**  
**ETAPE 5**



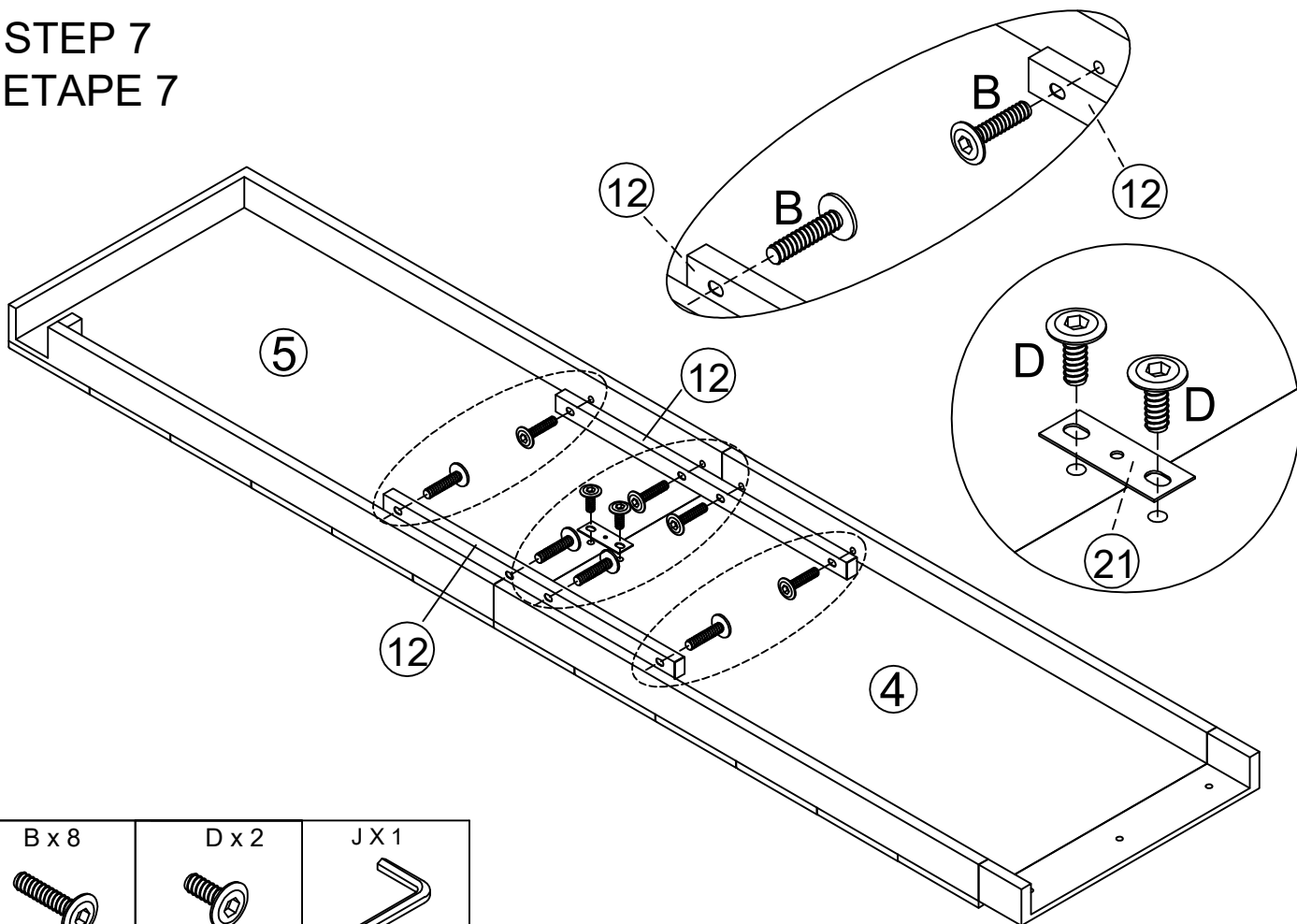
C x 2	D x 6	J x 1
		
5/16X25mm	5/16X15mm	5/16




**STEP 6**  
**ETAPE 6**



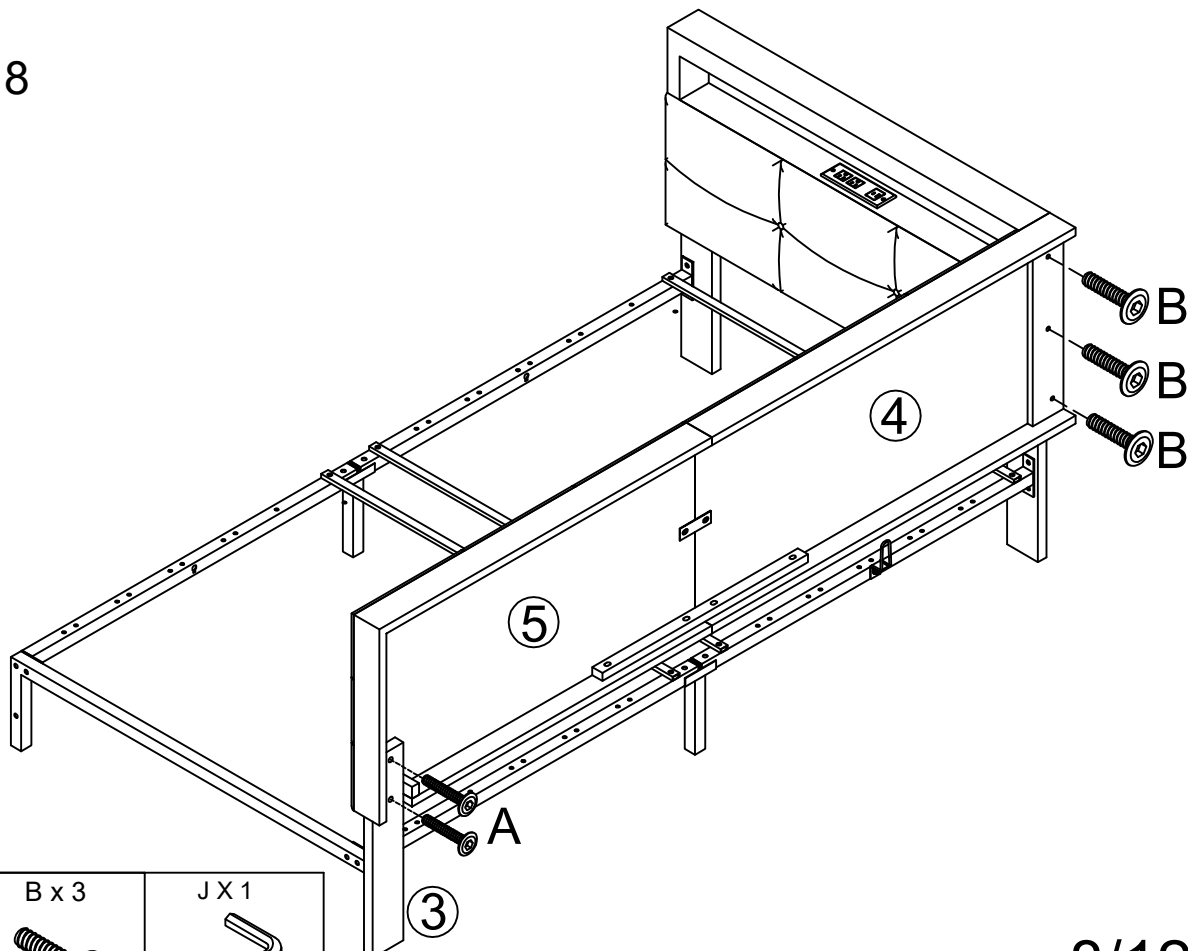
H x 1	J x 1	K x 1
		
5/16	5/16	
A x 1	F x 1	17 x 1
		
5/16X45mm	Ø19X5/16	




STEP 7  
ETAPE 7



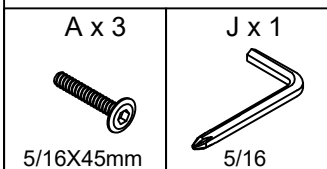
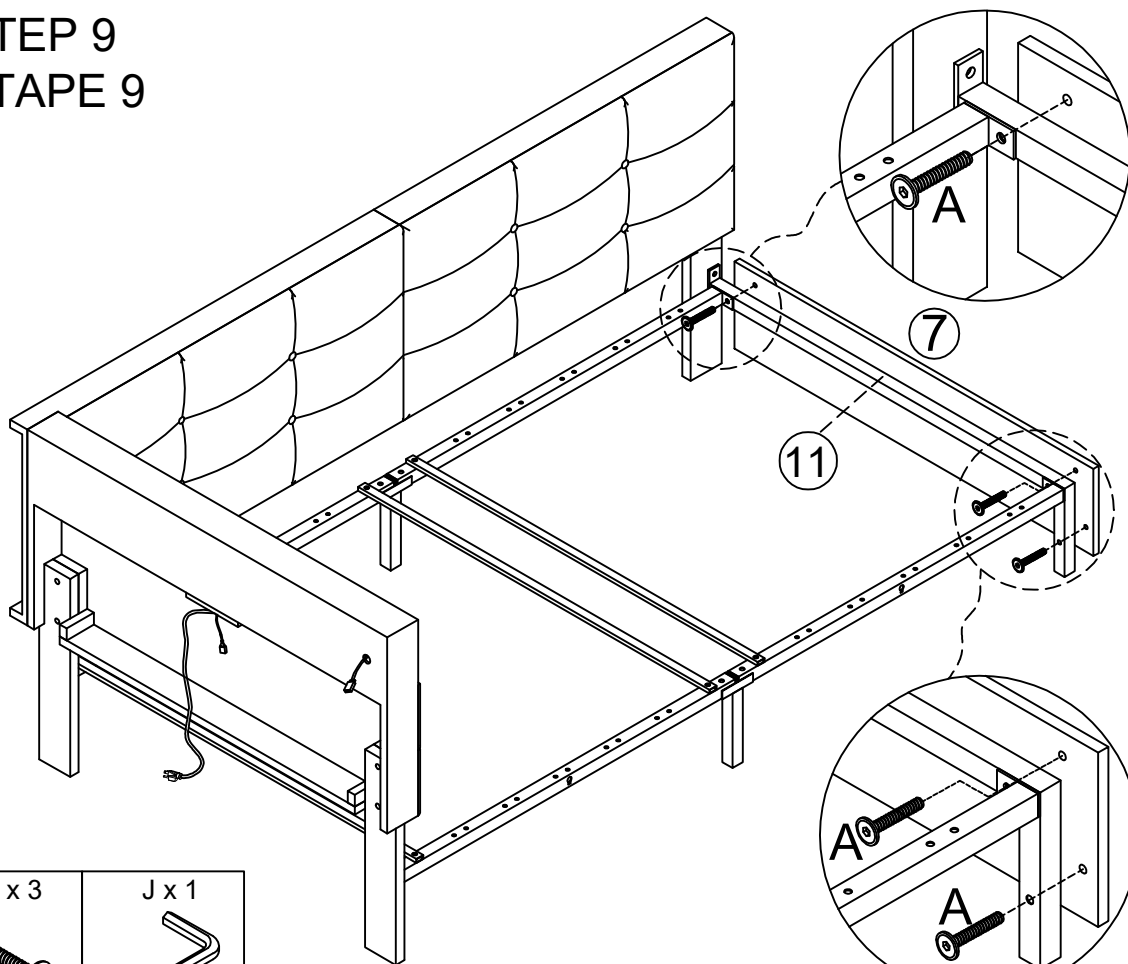
B x 8  5/16X35mm	D x 2  5/16X15mm	J X 1  5/16
---	---	---

STEP 8  
ETAPE 8

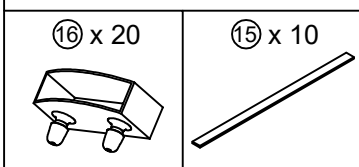
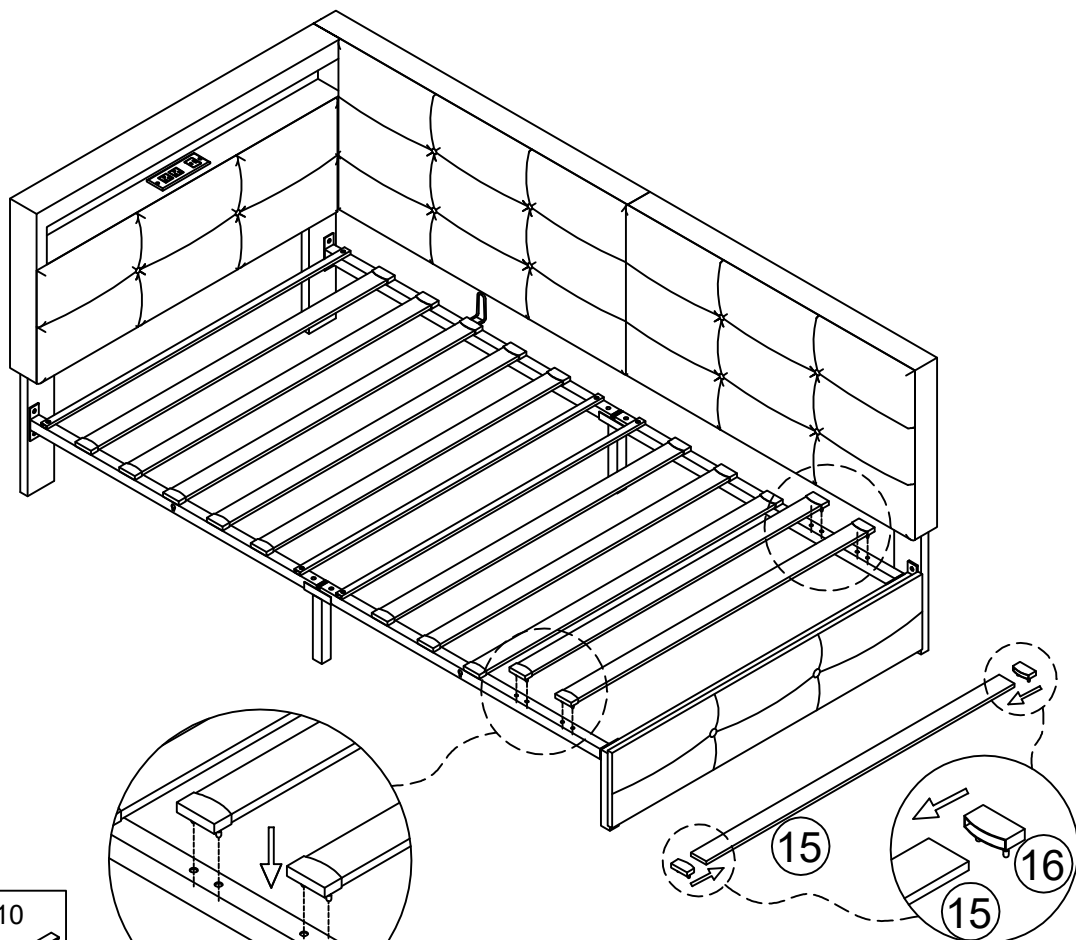


A x 2  5/16X45mm	B x 3  5/16X35mm	J X 1  5/16
---	---	--

STEP 9  
ETAPE 9

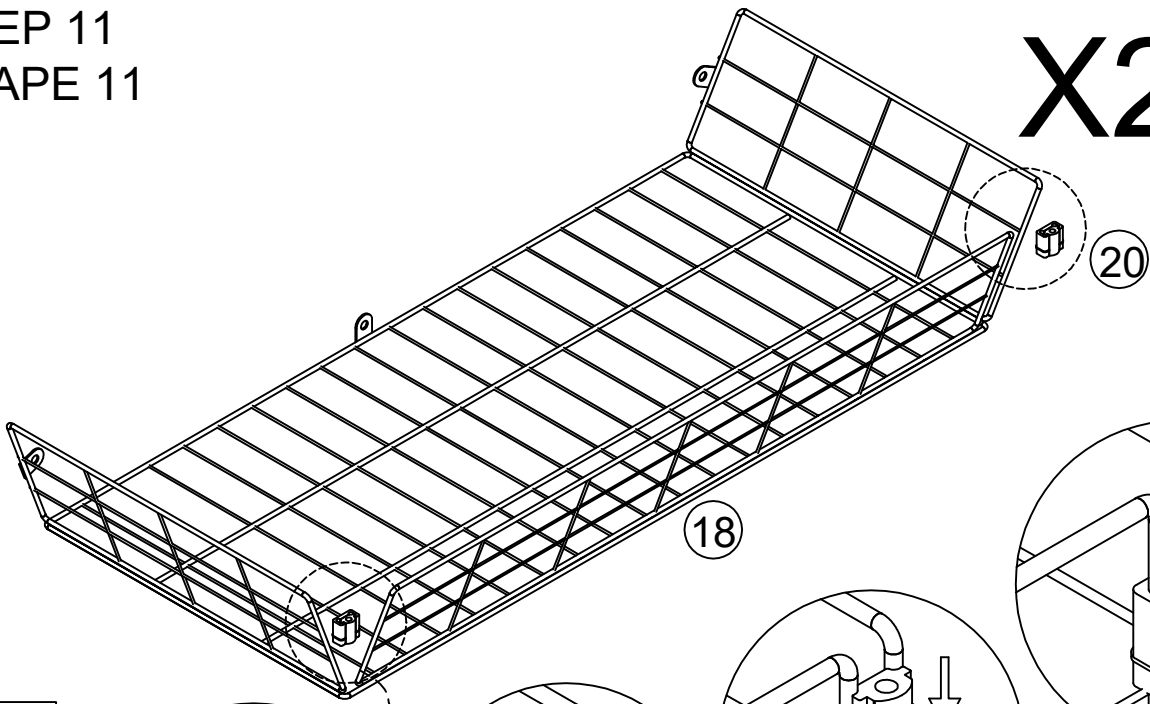


STEP 10  
ETAPE 10



STEP 11  
ETAPE 11

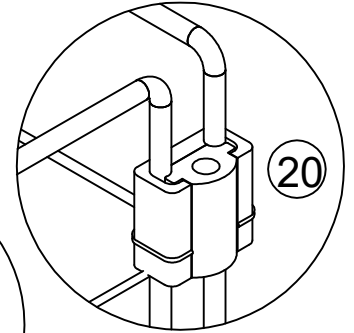
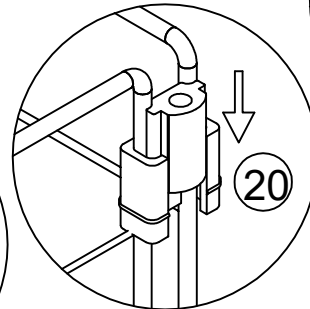
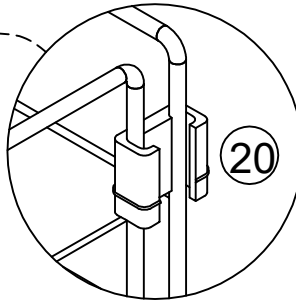
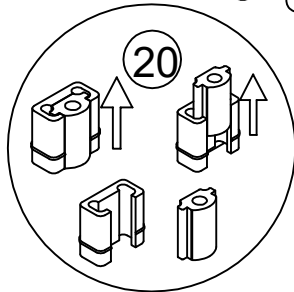
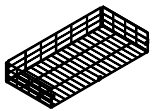
X2



20 x 4

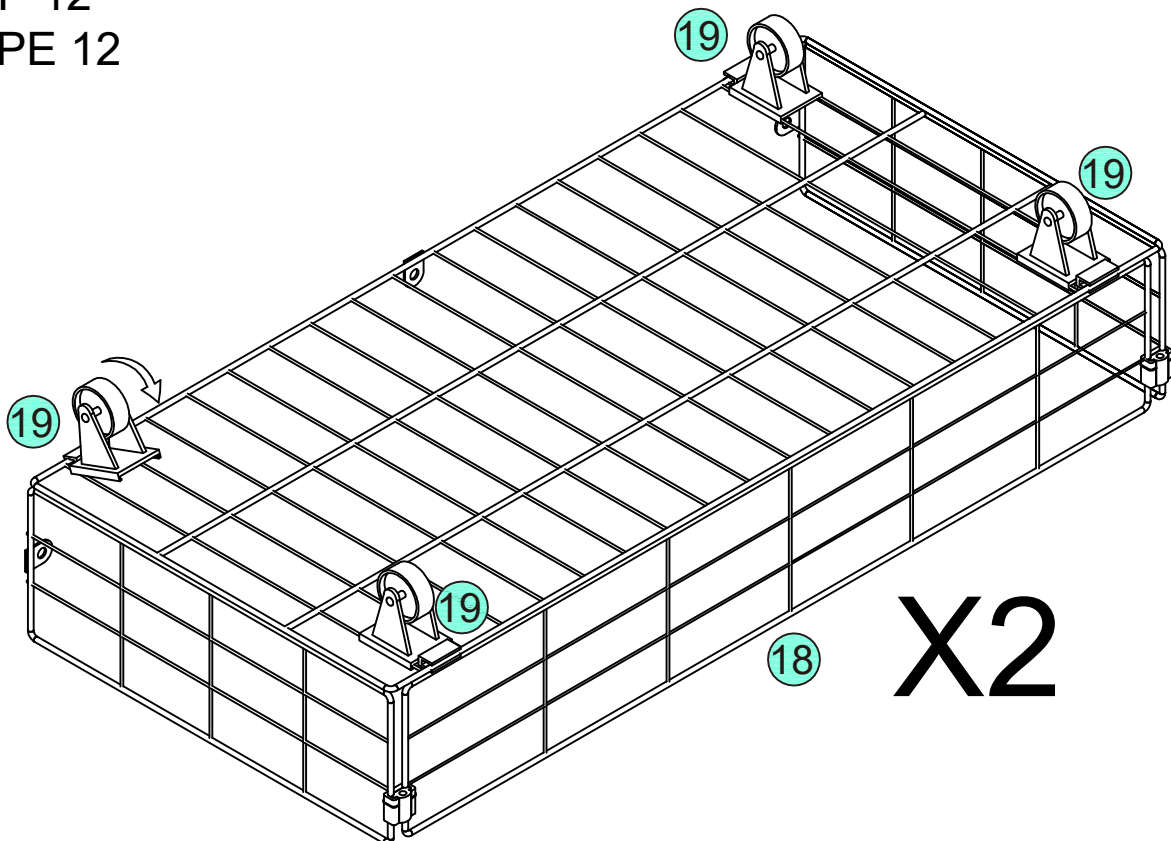


18 x 2



STEP 12  
ETAPE 12

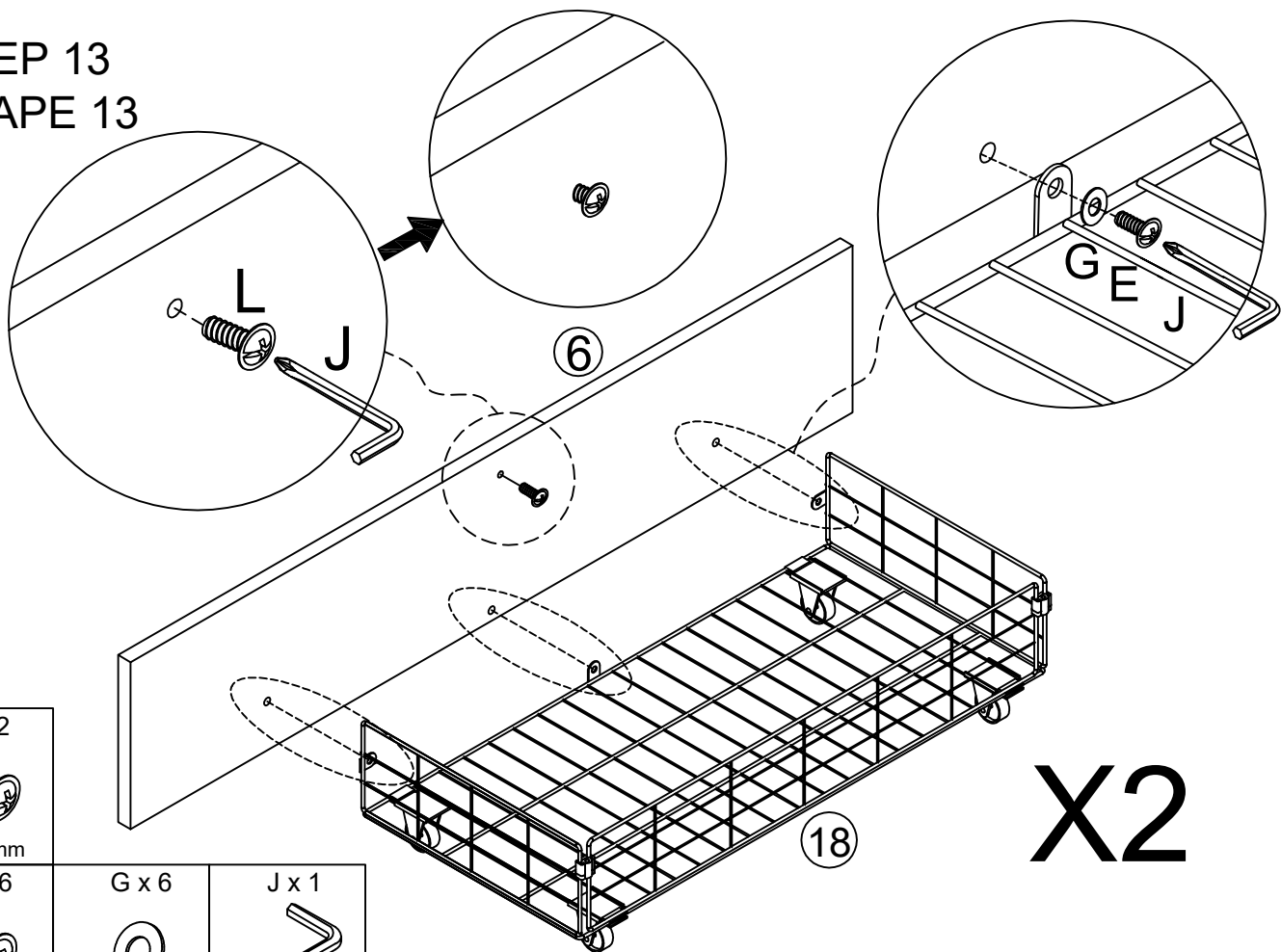
X2





19 x 8





STEP 13  
ETAPE 13



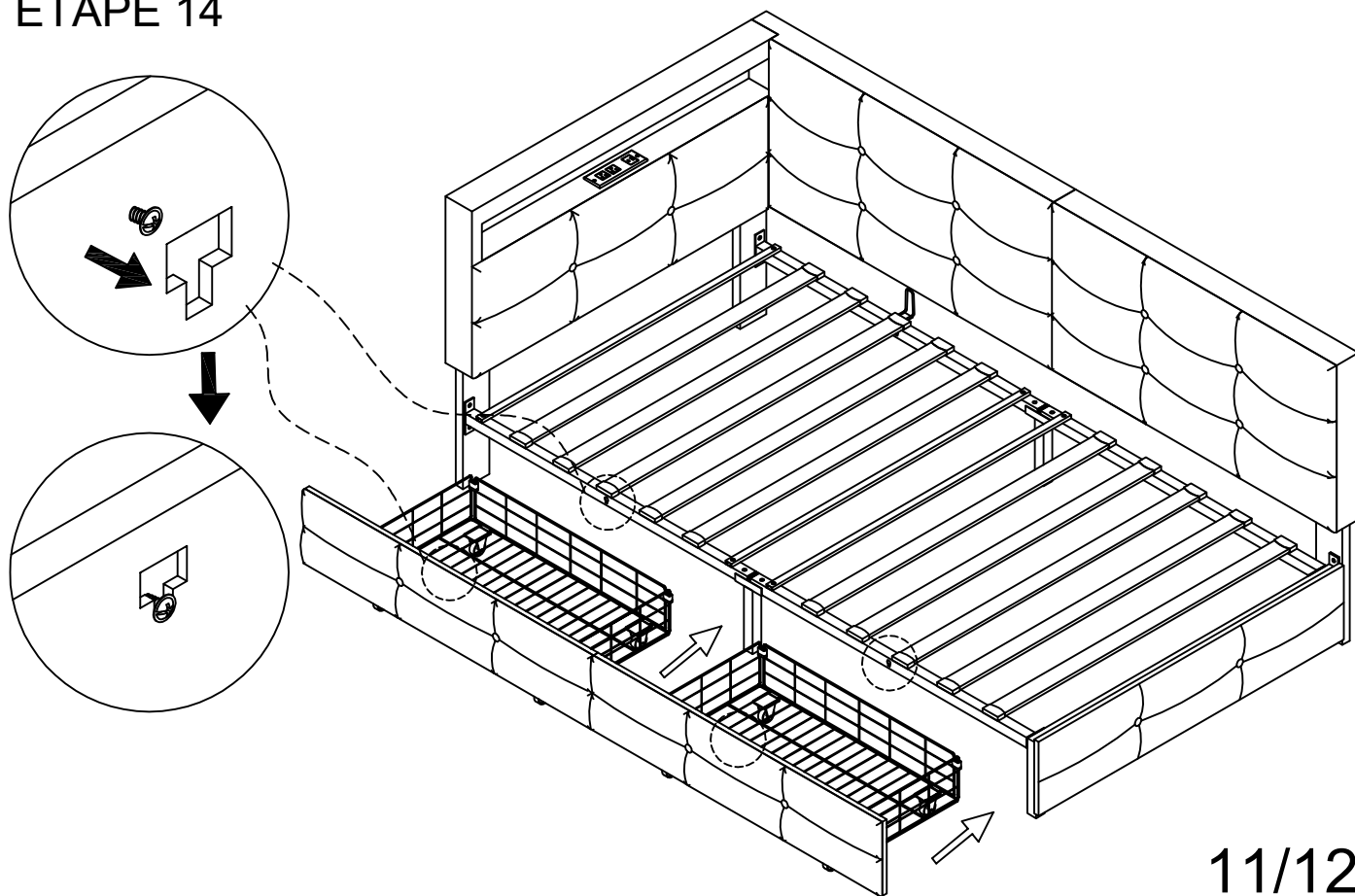
L x 2  
  
1/4X20mm

E x 6  
  
1/4X15mm

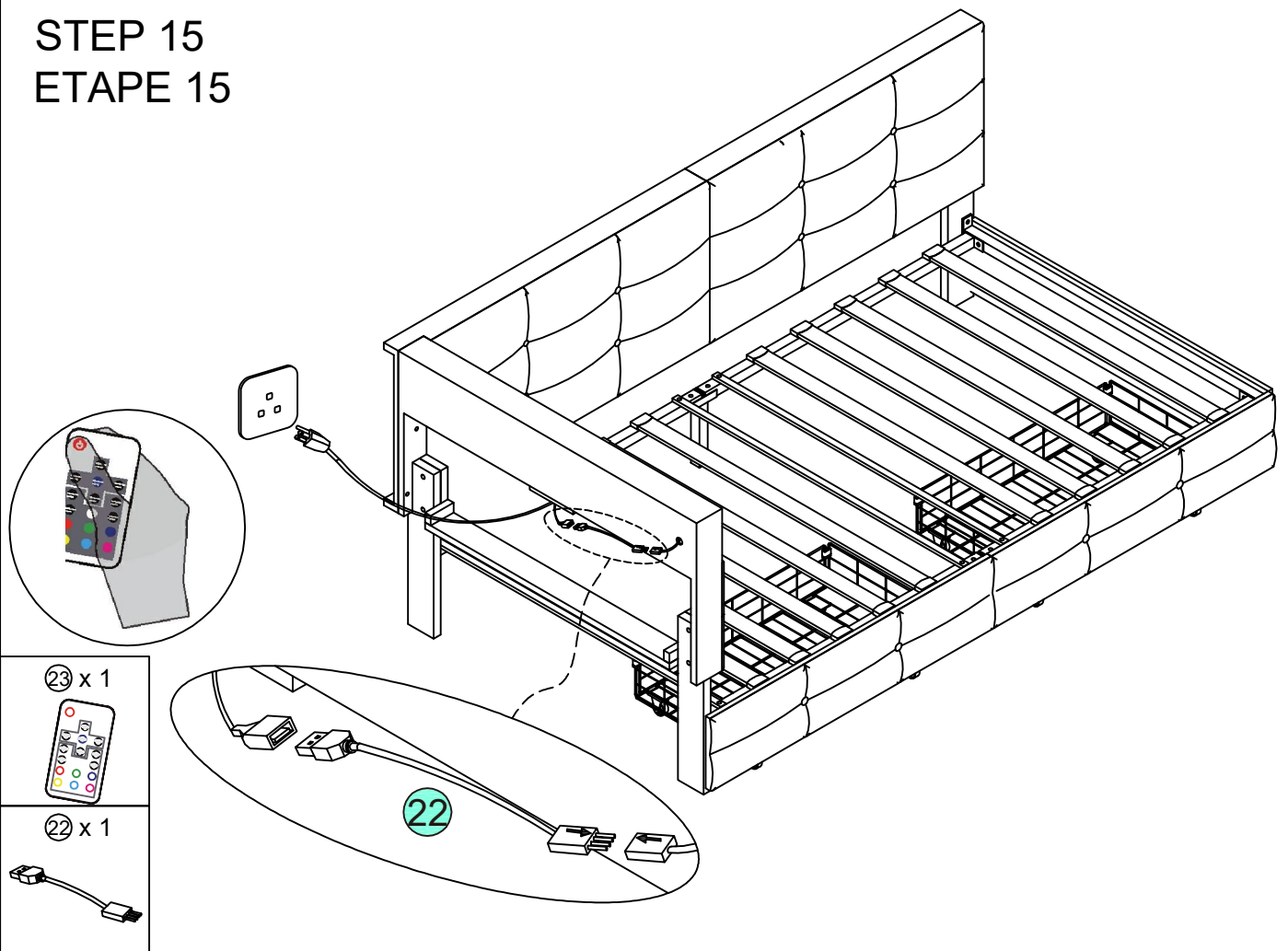
G x 6  
  
Ø16X1/4

J x 1  
  
5/16

STEP 14  
ETAPE 14



# STEP 15 ETAPE 15



# Finish Finition

